



# HILTI MP-HI / MP-H PIPE CLAMPS

ETA-21/0803 (28.01.2022)



English	2-30
Deutsch	31-59
Français	60-88



## European Technical Assessment

## ETA-21/0803 of 28/01/2022

*English translation prepared by CSTB - Original version in French language*

### General Part

Trade name:	Hilti residential pipe clamps MP-HI and MP-H
Product family:	Products for installation systems for supporting technical building equipment
Manufacturer:	Hilti AG Liechtenstein Feldkircherstraße 100 9494 Schaan FÜRSTENTUM LIECHTENSTEIN
Manufacturing plants:	L 1097347
This European Technical Assessment contains:	29 pages including 26 pages of annexes which form an integral part of this assessment
This European Technical Assessment is issued in accordance with Regulation (EU) No 305/2011, on the basis of:	European Assessment Document (EAD) 280016-00-0602 version August 2017
This version replaces:	-

*The European Technical Assessment is issued by the Technical Assessment Body in its official language. Translations of this European Technical Assessment in other languages shall fully correspond to the original issued document and shall be identified as such. Communication of this European Technical Assessment, including transmission by electronic means, shall be in full. However, partial reproduction may only be made with the written consent of the issuing Technical Assessment Body. Any partial reproduction shall be identified as such. This European Technical Assessment may be withdrawn by the issuing Technical Assessment Body, in particular pursuant to information by the Commission in accordance with Article 25(3) of Regulation (EU) No 305/2011.*

## Specific Part

### 1 Technical description of the product

Objects of this European Technical Assessment are Hilti residential pipe clamps MP-HI M8/10 and MP-H M8/10. The pipe clamps consist of two profiled steel strips, which are designed to be able to surround a pipe circularly. The clamping strips are connected together on one side by a steel screw and on the other side by a hock-in lock system. The clamping stripes are pressed onto the outside of the pipe to be fastened by tightening the screw. Each pipe clamp has a designated clamping range. The top clamping strip features welded connection heads with M8/M10 combi-threads.

The clamping strips of MP-HI M8/10 are fitted with an EPDM profile on the inside to aid structure-borne sound insulation, to balance unevenness and to prevent contact corrosion.

Annex A describes the dimensions and materials of the Hilti residential pipe clamps MP-HI M8/10 and MP-H M8/10. The requirements for performance assessment are given in Annex B.

### 2 Specification of the intended use

The performance given in Section 3 can only be assumed if the Hilti residential pipe clamps MP-HI M8/10 and MP-H M8/10 are used in compliance with the specifications and under boundary conditions set out in Annexes A to D. The test and assessment methods on which this European Technical Assessment is based lead to an assumption of a working life of the pipe clamps of at least 50 years in final use under ambient temperatures in indoor areas. The indications given on the working life cannot be interpreted as a guarantee given by the producer but are to be regarded only as a means for choosing the right products in relation to the expected economically reasonable working life of the works.

In accordance with the European Assessment Document EAD 280016-00-0602, the product is intended to be used in

- a) installations for the support of sprinkler kits;
- b) installations for supporting technical building equipment-

### 3 Performance of the product and references to the methods used for its assessment

#### 3.1 Safety in case of fire (BWR 2)

Essential characteristic	Performance
Reaction to fire:	Class A1
Resistance and deformations of Hilti residential pipe clamps MP-HI M8/10 and MP-H M8/10 in case of fire	see Annex D

#### 3.2 Safety and accessibility in use (BWR 4)

Essential characteristic	Performance
Dimensions and materials of Hilti residential pipe clamps MP-HI M8/10, and MP-H M8/10	see Annex A
Characteristics of Hilti residential pipe clamps MP-HI M8/10 and MP-H M8/10 at ambient temperature	see Annex C

**4 Assessment and verification of constancy of performance (AVCP) system applied, with reference to its legal base**

In accordance with the European Assessment Document EAD 280016-00-0602, the following legal bases apply:

- In case of intended use a) specified in Section 2:  
Decision of the commission N° 96/577/EC as amended by Commission Decision 2002/592/EC.:  
System 1 applies for the assessment and verification of constancy of performance (AVCP).
- In case of intended use a) specified in Section 2:  
Decision of the commission N° 97/161/EC:  
System 2+ applies for the assessment and verification of constancy of performance (AVCP).
- In case of intended use b) specified in Section 2:  
Decision of the commission N° 1999/472/EC as amended by Commission Decision 2001/596/EC.:  
System 3 applies for the assessment and verification of constancy of performance (AVCP).

**5 Technical details necessary for the implementation of the AVCP system, as provided for in the applicable EAD**

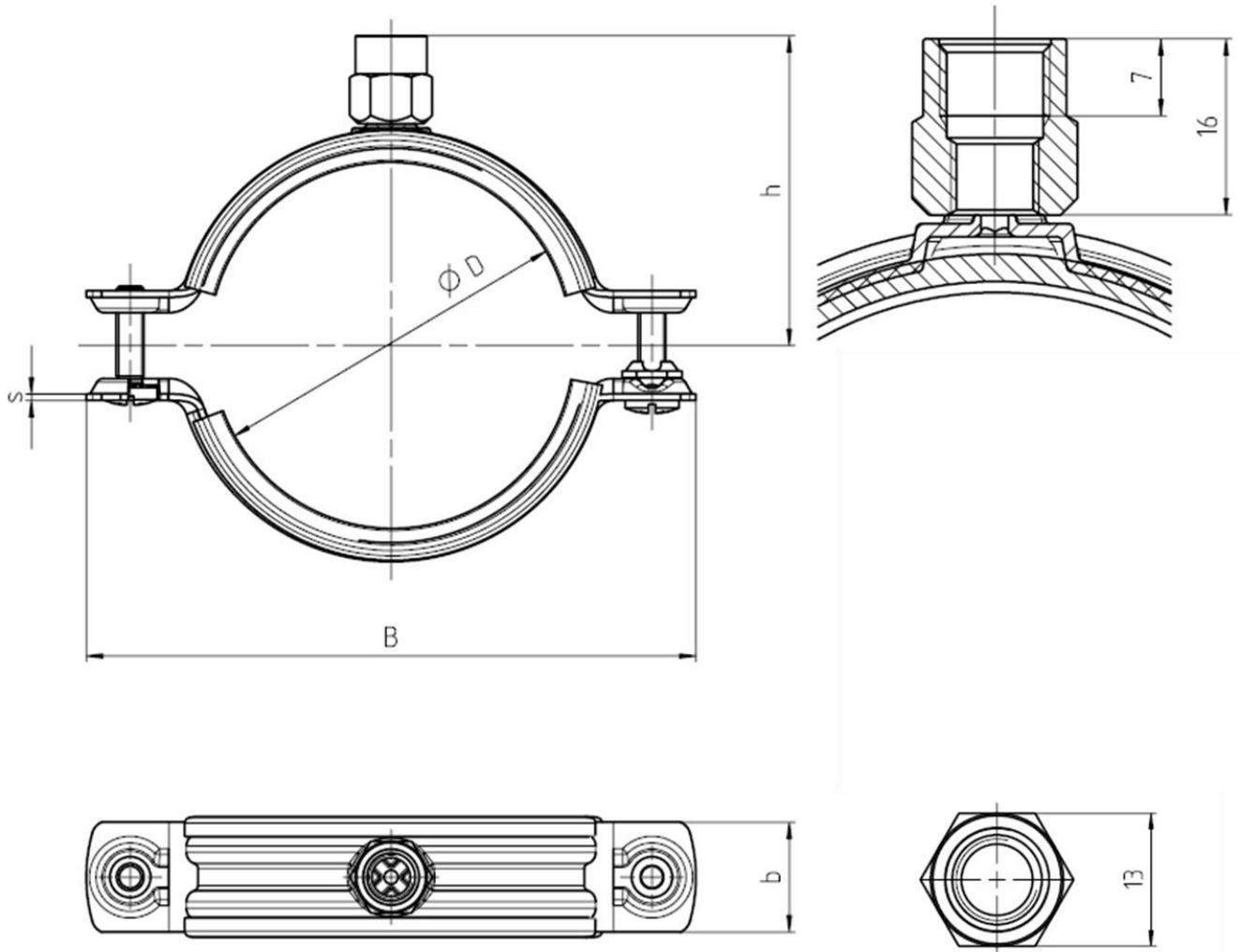
The technical details necessary for the implementation of the system for the assessment and verification of constancy of performance are laid down in the control plan (confidential part of this European Technical Assessment) deposited at Centre Scientifique et Technique du Bâtiment.

The manufacturer shall, on the basis of a contract, involve a notified body approved in the field of anchor channels for issuing the certificate of conformity CE based on the control plan.

**The original French version is signed by**

La cheffe de division, Anca CRONOPOL

Figure A1: Geometry and dimensions of the pipe clamp MP-HI M8/M10



Dimensions in mm

Table A1: Materials of pipe clamps MP-HI M8/M10

Components of pipe ring	Materials
Clamping strip	DC01 in accordance with EN 10130
Connection head	Property class 6 in accordance with EN ISO 898-2
Clamping screw M5, M6	Strength class $\geq 4.6$ in accordance with EN ISO 898-1
Rubber inlays	MP-HI 8-12: rubber in accordance with ISO 3302-1 MP-HI 12-16 to MP-HI 163-172: EPDM
Washer	PE

Hilti residential pipe clamps MP-HI and MP-H

Product Description  
 Dimensions and materials

Annex A1

**Table A2: Dimensions and tightening torque of pipe clamps MP-HI M8/M10**

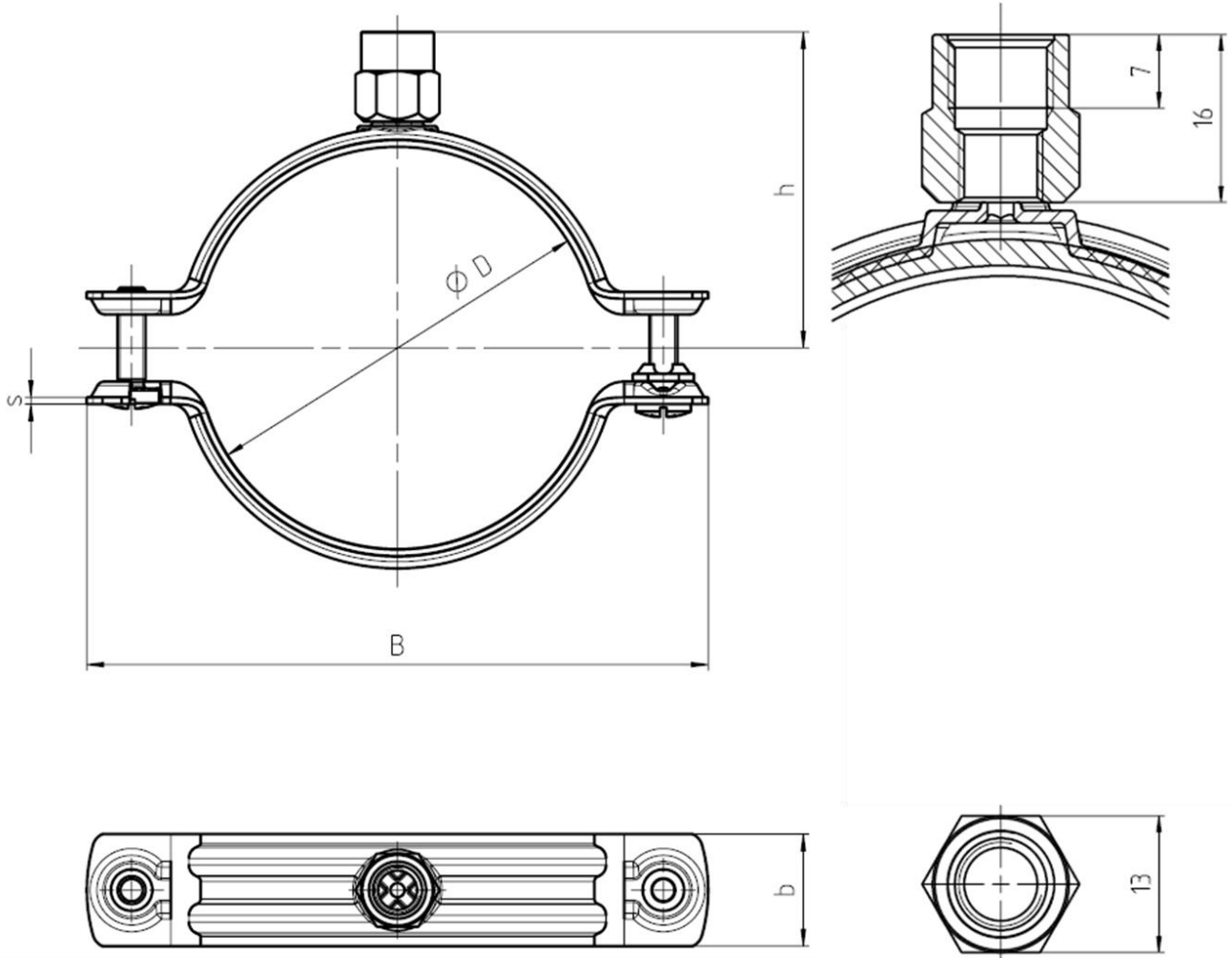
Item number	Designation	D [mm]	B [mm]	b x s [mm]	h [mm]	Tightening torque [Nm]	Screw size
386402	MP-HI 8-12 M8/M10	21,0	54,0	20 x 1,2	26,0	1	M5
386403	MP-HI 12-16 M8/M10	21,0	54,0	20 x 1,2	26,0	1	M5
386404	MP-HI 16-20 M8/M10	25,0	58,5	20 x 1,2	28,1	1	M5
386405	MP-HI 20-25 M8/M10	30,0	63,2	20 x 1,2	30,4	1	M5
386406	MP-HI 25-31 M8/M10	36,6	72,0	20 x 1,2	33,3	1	M5
386407	MP-HI 31-38 M8/M10	44,6	78,3	20 x 1,2	36,3	1	M5
386408	MP-HI 38-45 M8/M10	51,4	88,5	20 x 1,2	39,7	1	M5
386409	MP-HI 45-52 M8/M10	59,0	96,2	20 x 1,2	43,3	1	M5
386410	MP-HI 52-59 M8/M10	66,0	103,6	20 x 1,2	46,7	1	M5
386411	MP-HI 59-66 M8/M10	74,0	112,5	20 x 1,2	50,3	1	M5
386412	MP-HI 66-75 M8/M10	83,0	130,0	25 x 1,8	55,8	2	M6
386413	MP-HI 75-84 M8/M10	92,6	140,0	25 x 1,8	60,1	2	M6
386414	MP-HI 84-93 M8/M10	102,0	148,5	25 x 1,8	64,5	2	M6
386415	MP-HI 93-101 M8/M10	111,2	159,7	25 x 1,8	69,0	2	M6
386416	MP-HI 101-110 M8/M10	121,0	169,3	25 x 1,8	72,8	2	M6
386417	MP-HI 110-119 M8/M10	128,6	178,7	25 x 2,3	78,3	2	M6
386418	MP-HI 119-129 M8/M10	140,0	190,0	25 x 2,3	83,0	2	M6
386419	MP-HI 129-137 M8/M10	150,8	199,5	25 x 2,3	87,7	2	M6
386420	MP-HI 137-145 M8/M10	159,4	210,3	25 x 2,3	91,5	2	M6
386421	MP-HI 145-155 M8/M10	169,0	222,7	25 x 2,3	95,0	2	M6
386422	MP-HI 155-163 M8/M10	178,0	232,0	25 x 2,3	99,7	2	M6
386423	MP-HI 163-172 M8/M10	186,0	241,5	25 x 2,3	103,5	2	M6

Hilti residential pipe clamps MP-HI and MP-H

**Product Description**  
 Dimensions

**Annex A2**

Figure A2: Geometry and dimensions of Hilti residential pipe clamps MP-H M8/10



Dimensions in mm

Table A3: Materials of pipe clamps MP-H M8/10

Components of pipe ring	Materials
Clamping strip	DC01 in accordance with EN 10130
Connection head	Property class 6 in accordance with EN ISO 898-2
Clamping screw M5, M6	Strength class $\geq 4,6$ in accordance with EN ISO 898-1
Washer	PE

Hilti residential pipe clamps MP-HI and MP-H

Product Description  
 Dimensions and materials

Annex A3

**Table A4: Dimensions and tightening torque of pipe clamps MP-H M8/10**

Item number	Designation	D [mm]	B [mm]	b x s [mm]	h [mm]	Tightening torque [Nm]	Screw size
386424	MP-H 16-20 M8/M10	21,0	54,0	20 x 1,2	28,1	1	M5
386425	MP-H 20-25 M8/M10	25,0	58,5	20 x 1,2	30,4	1	M5
386426	MP-H 25-31 M8/M10	30,0	63,2	20 x 1,2	33,3	1	M5
386427	MP-H 31-38 M8/M10	36,6	72,0	20 x 1,2	36,3	1	M5
386428	MP-H 38-45 M8/M10	44,6	78,3	20 x 1,2	39,7	1	M5
386429	MP-H 45-52 M8/M10	51,4	88,5	20 x 1,2	43,3	1	M5
386430	MP-H 52-59 M8/M10	59,0	96,2	20 x 1,2	46,7	1	M5
386431	MP-H 59-66 M8/M10	66,0	103,6	20 x 1,2	50,3	1	M5
386432	MP-H 66-74 M8/M10	74,0	112,5	20 x 1,2	55,8	1	M5
386433	MP-H 74-83 M8/M10	83,0	130,0	25 x 1,8	60,1	2	M6
386434	MP-H 83-92 M8/M10	92,6	140,0	25 x 1,8	64,5	2	M6
386435	MP-H 92-101 M8/M10	102,0	148,5	25 x 1,8	69,0	2	M6
386436	MP-H 101-110 M8/M10	111,2	159,7	25 x 1,8	72,8	2	M6
386437	MP-H 110-119 M8/M10	121,0	169,3	25 x 1,8	78,3	2	M6
386438	MP-H 119-127 M8/M10	128,6	178,7	25 x 2,3	83,0	2	M6
386439	MP-H 127-137 M8/M10	140,0	190,0	25 x 2,3	87,7	2	M6
386440	MP-H 137-145 M8/M10	149,0	199,5	25 x 2,3	91,5	2	M6
386441	MP-H 145-155 M8/M10	159,4	210,3	25 x 2,3	95,0	2	M6
386442	MP-H 155-163 M8/M10	169,0	222,7	25 x 2,3	99,7	2	M6
386443	MP-H 163-172 M8/M10	178,0	232,0	25 x 2,3	103,5	2	M6

Hilti residential pipe clamps MP-HI and MP-H

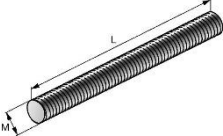
**Product Description**  
 Dimensions

**Annex A4**

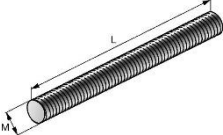


- Hilti residential pipe clamps MP-HI M8/10 and MP-H M8/10 are used to transfer the loads of building services components such as equipment for sprinkler, water, heating, cooling, ventilation, electrical and other installations. The pipe clamps are suitable for undertaking this load-bearing function under the conditions described in Section 2 of this European Technical Assessment.
- The resistance and deformation in case of fire are referring to the boundary conditions of the standard temperature time curve (STTC) in accordance with EN 1363-1.
- The performance data for the pipe clamp under ambient temperature results in conjunction with the threaded rods as per Table B1 and Table B2.
- The performance data for the pipe clamp in case of fire results in conjunction with the threaded rods as per Table B2.
- The pipe clamps must be installed by appropriately qualified personnel and under the supervision of the site manager. The general installation instructions of the manufacturer apply.
- The resistance and deformation at ambient temperatures and in case of fire apply for static and centric actions.
- The screw of the the pipe clamps must be tightened consistently with a torque from 1 to 2 Nm in accordance with the instructions for use.
- Prior to installation, it must be ensured that the pipe to be inserted, the anchoring of the threaded rods to the base material and the base material itself are suitable to withstand the resistance values of the pipe clamps and that they have a fireproof certificate.

**Table B1: Threaded rods for use with Hilti Residential Pipe clamps MP-HI M8/10 and MP-H M8/10 under ambient temperature**

Illustration	Item number	Designation	Thread	L [mm]	Material
	339793	AM8x1000 4.8	M8	1000	Strength class 4.8 in accordance with DIN 976-1, zinc coated
	339794	AM8x2000 4.8	M8	2000	
	216415	AM8x3000 4.8	M8	3000	

**Table B2: Threaded rods for use with Hilti Residential Pipe clamps MP-HI M8/10 and MP-H M8/10 under ambient temperature and in case of fire**

Illustration	Item number	Designation	Thread	L [mm]	Material
	339795	AM10x1000 4.8	M10	1000	Strength class 4.8 in accordance with DIN 976-1, zinc coated
	339796	AM10x2000 4.8	M10	2000	
	216418	AM10x3000 4.8	M10	3000	

Hilti residential pipe clamps MP-HI and MP-H

Requirements for performance assessment

Annex B1

**Table C1: Characteristic tensile strength at ambient temperature for MP-HI M8/M10 in combination with threaded rods  $\geq$  M8 4.8**

Item number	Designation	Characteristic tensile strength $F_{Rk}$ [N]	Partial safety coefficient <sup>1)</sup> $\gamma_m$ [-]
386402	MP-HI 8-12 M8/M10	1643	1,30
386403	MP-HI 12-16 M8/M10		
386404	MP-HI 16-20 M8/M10		
386405	MP-HI 20-25 M8/M10		
386406	MP-HI 25-31 M8/M10		
386407	MP-HI 31-38 M8/M10		
386408	MP-HI 38-45 M8/M10	1684	1,30
386409	MP-HI 45-52 M8/M10		
386410	MP-HI 52-59 M8/M10		
386411	MP-HI 59-66 M8/M10		
386412	MP-HI 66-75 M8/M10	2731	1,69
386413	MP-HI 75-84 M8/M10		
386414	MP-HI 84-93 M8/M10		
386415	MP-HI 93-101 M8/M10		
386416	MP-HI 101-110 M8/M10		
386417	MP-HI 110-119 M8/M10	3494	2,15
386418	MP-HI 119-129 M8/M10		
386419	MP-HI 129-137 M8/M10		
386420	MP-HI 137-145 M8/M10		
386421	MP-HI 145-155 M8/M10		
386422	MP-HI 155-163 M8/M10		
386423	MP-HI 163-172 M8/M10		

<sup>1)</sup> provided that no other national regulations apply

Hilti residential pipe clamps MP-HI and MP-H

Characteristic tensile strength at ambient temperature

Annex C1

**Table C2: Service load and deformation at ambient temperature for MP-HI M8/M10 in combination with threaded rods  $\geq$  M8 4.8**

Item number	Designation	Service load $F_{SLs}$ [N]	Associated deformation [mm]
386402	MP-HI 8-12 M8/M10	1106	1,50
386403	MP-HI 12-16 M8/M10		
386404	MP-HI 16-20 M8/M10		
386405	MP-HI 20-25 M8/M10		
386406	MP-HI 25-31 M8/M10		
386407	MP-HI 31-38 M8/M10		
386408	MP-HI 38-45 M8/M10	933	1,50
386409	MP-HI 45-52 M8/M10		
386410	MP-HI 52-59 M8/M10		
386411	MP-HI 59-66 M8/M10		
386412	MP-HI 66-75 M8/M10	1425	1,50
386413	MP-HI 75-84 M8/M10		
386414	MP-HI 84-93 M8/M10		
386415	MP-HI 93-101 M8/M10		
386416	MP-HI 101-110 M8/M10		
386417	MP-HI 110-119 M8/M10		
386418	MP-HI 119-129 M8/M10	1776	2,38
386419	MP-HI 129-137 M8/M10		
386420	MP-HI 137-145 M8/M10		
386421	MP-HI 145-155 M8/M10		
386422	MP-HI 155-163 M8/M10		
386423	MP-HI 163-172 M8/M10		

Hilti residential pipe clamps MP-HI and MP-H

Service load and deformation at ambient temperature

Annex C2

**Table C3: Characteristic tensile strength at ambient temperature for MP-H M8/10 in combination with threaded rods  $\geq$  M8 4.8**

Item number	Designation	Characteristic tensile strength $F_{Rk}$ [N]	Partial safety coefficient <sup>1)</sup> $\gamma_m$ [-]
386424	MP-H 16-20 M8/M10	1499	3,33
386425	MP-H 20-25 M8/M10		
386426	MP-H 25-31 M8/M10		
386427	MP-H 31-38 M8/M10		
386428	MP-H 38-45 M8/M10		
386429	MP-H 45-52 M8/M10	1655	1,65
386430	MP-H 52-59 M8/M10		
386431	MP-H 59-66 M8/M10		
386432	MP-H 66-74 M8/M10		
386433	MP-H 74-83 M8/M10		
386434	MP-H 83-92 M8/M10	2411	1,71
386435	MP-H 92-101 M8/M10		
386436	MP-H 101-110 M8/M10		
386437	MP-H 110-119 M8/M10		
386438	MP-H 119-127 M8/M10		
386439	MP-H 127-137 M8/M10	3897	2,05
386440	MP-H 137-145 M8/M10		
386441	MP-H 145-155 M8/M10		
386442	MP-H 155-163 M8/M10		
386443	MP-H 163-172 M8/M10		

<sup>1)</sup> provided that no other national regulations apply

Hilti residential pipe clamps MP-HI and MP-H

Characteristic tensile strength at ambient temperature

Annex C3

**Table C4: Service load and deformation at ambient temperature for MP-H M8/10 in combination with threaded rods  $\geq$  M8 4.8**

Item number	Designation	Service load $F_{SLS}$ [N]	Associated deformation [mm]
386424	MP-H 16-20 M8/M10	1322	1,50
386425	MP-H 20-25 M8/M10		
386426	MP-H 25-31 M8/M10		
386427	MP-H 31-38 M8/M10		
386428	MP-H 38-45 M8/M10		
386429	MP-H 45-52 M8/M10	1046	1,50
386430	MP-H 52-59 M8/M10		
386431	MP-H 59-66 M8/M10		
386432	MP-H 66-74 M8/M10		
386433	MP-H 74-83 M8/M10		
386434	MP-H 83-92 M8/M10	1653	1,66
386435	MP-H 92-101 M8/M10		
386436	MP-H 101-110 M8/M10		
386437	MP-H 110-119 M8/M10		
386438	MP-H 119-127 M8/M10		
386439	MP-H 127-137 M8/M10	2301	2,54
386440	MP-H 137-145 M8/M10		
386441	MP-H 145-155 M8/M10		
386442	MP-H 155-163 M8/M10		
386443	MP-H 163-172 M8/M10		

Hilti residential pipe clamps MP-HI and MP-H

Service load and deformation at ambient temperature

Annex C4

**Table D1: Resistance of  $F_{Rk,t}$  of residential pipe clamp MP-HI 8-12 – MP-HI 31-38 and MP-H 16-20 – MP-H 38-45 in case of fire after t = 30, 60 and 90 minutes in combination with threaded rods M10 strength class  $\geq 4.8$**

Item number	Designation	Parameter of regression curve	$F_{Rk,t}$ [N]		
		$F_{Rk}(t) = c_3 (c_1 + c_2 / t)$	$F_{Rk,30}$	$F_{Rk,60}$	$F_{Rk,90}$
386402	MP-HI 8-12 M8/M10	$c_1 = 77,4336$ $c_2 = 6637,3415$ $c_3 = 0,682256$ $20 \text{ min} \leq t \leq 101 \text{ min}$	203,8	128,3	103,1
386403	MP-HI 12-16 M8/M10				
386404	MP-HI 16-20 M8/M10				
386405	MP-HI 20-25 M8/M10				
386406	MP-HI 25-31 M8/M10				
386407	MP-HI 31-38 M8/M10				
386424	MP-H 16-20 M8/M10				
386425	MP-H 20-25 M8/M10				
386426	MP-H 25-31 M8/M10				
386427	MP-H 31-38 M8/M10				
386428	MP-H 38-45 M8/M10				

**Designation**

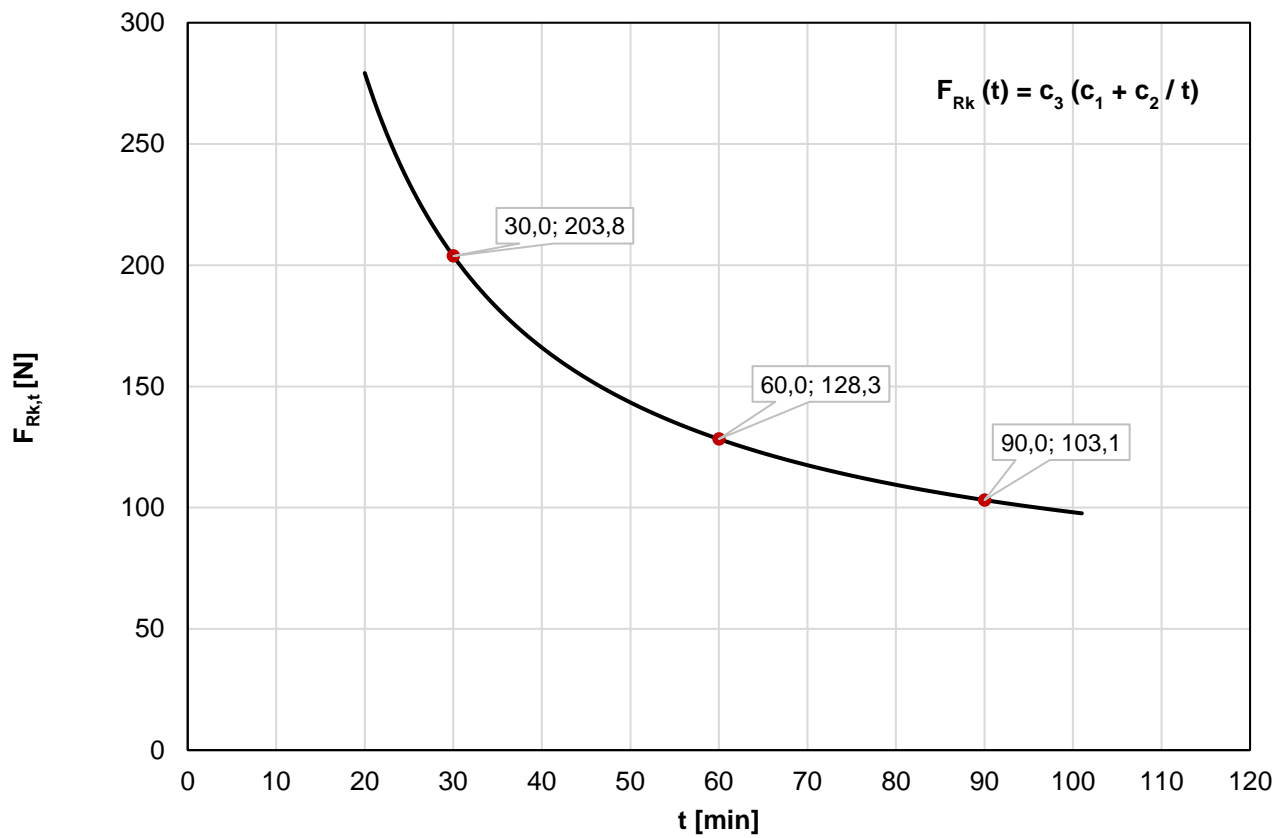
$F_{Rk,t}$  Resistance after an exposure time t in case of fire [N]  
 $F_{Rk}(t)$  Resistance time function in case of fire [N]

Hilti residential pipe clamps MP-HI and MP-H

Resistance in case of fire of residential pipe clamps  
 MP-HI 8-12 – MP-HI 31-38 and MP-H 16-20 – MP-H 38-45

Annex D1

Figure D1: Regression curve according to Table D1



Hilti residential pipe clamps MP-HI and MP-H

Resistance in case of fire of residential pipe clamps  
MP-HI 8-12 – MP-HI 31-38 and MP-H 16-20 – MP-H 38-45

Annex D2

**Table D2: Load displacement function and deformations of residential pipe clamps  
 MP-HI 8-12 – MP-HI 31-38 and MP-H 16-20 – MP-H 38-45 in combination with threaded  
 rods M10 strength class  $\geq 4.8$**

Item number	Designation	Parameter of regression curve	$F_{Rk,30}(\delta)$ [N]				$\delta_{max,t}$ [mm]	
			$F_{Rk,30}(\delta) = a_3 (a_1 + \delta^{a_2})$	$F_{Rk,30}(15)$	$F_{Rk,30}(20)$	$F_{Rk,30}(25)$	$F_{Rk,30}(30)$	$\delta_{max,60}$
386402	MP-HI 8-12 M8/M10	$a_1 = 5,8564$ $a_2 = 1,1408$ $a_3 = 0,7945$ $14 \text{ mm} \leq \delta \leq 35 \text{ mm}$	102,2	141,9	183,0	225,3	35,7	35,7
386403	MP-HI 12-16 M8/M10							
386404	MP-HI 16-20 M8/M10							
386405	MP-HI 20-25 M8/M10							
386406	MP-HI 25-31 M8/M10							
386407	MP-HI 31-38 M8/M10							
386424	MP-H 16-20 M8/M10							
386425	MP-H 20-25 M8/M10							
386426	MP-H 25-31 M8/M10							
386427	MP-H 31-38 M8/M10							
386428	MP-H 38-45 M8/M10							

**Designation**

- $\delta$  Deformation
- $\delta_{max,t}$  Maximum deformation after an exposure time  $\leq t$  minutes in case of fire
- $F_{Rk,30}(\delta)$  Load displacement function for an exposure time  $t = 30$  minutes in case of fire

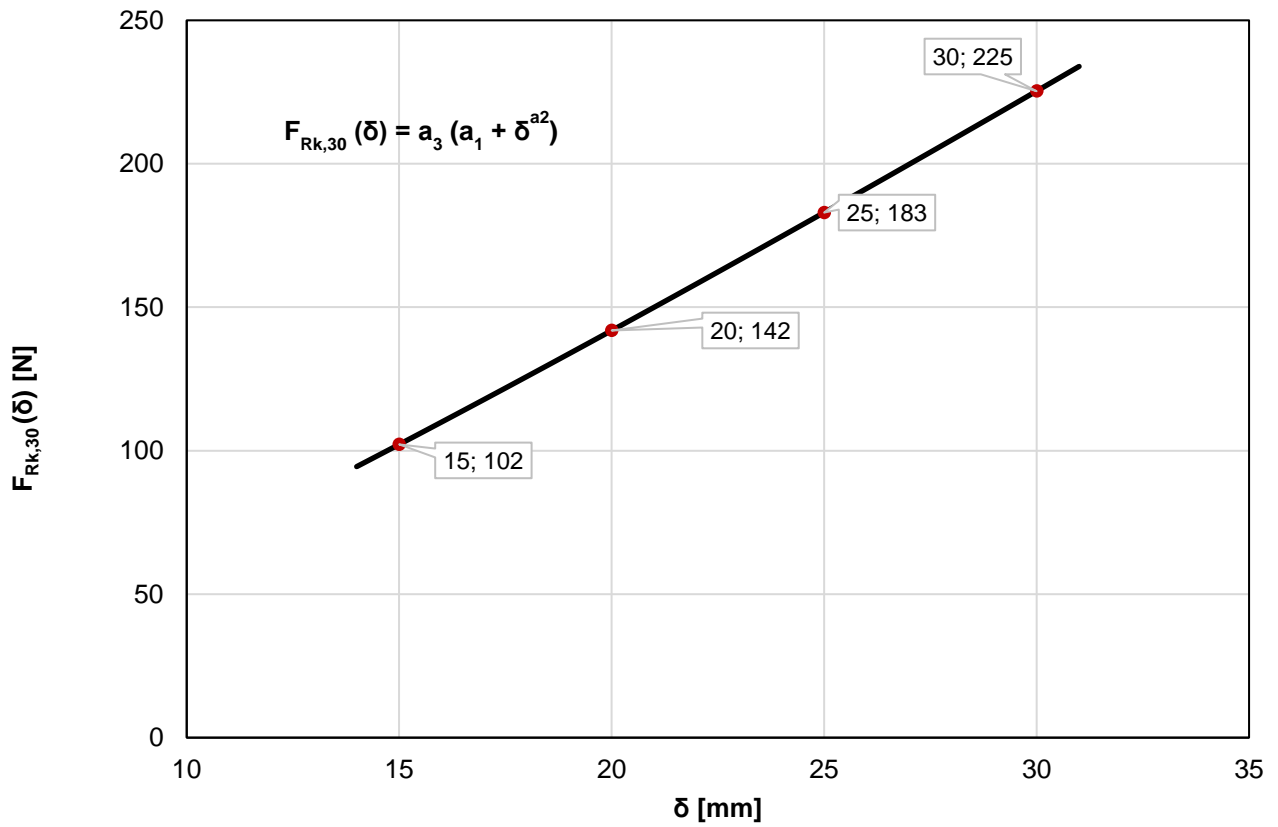
Hilti residential pipe clamps MP-HI and MP-H

Resistance in case of fire of residential pipe clamps  
 MP-HI 8-12 – MP-HI 31-38 and MP-H 16-20 – MP-H 38-45

Annex D3



Figure D2: Regression curve according to Table D2



Hilti residential pipe clamps MP-HI and MP-H

Resistance in case of fire of residential pipe clamps  
MP-HI 8-12 – MP-HI 31-38 and MP-H 16-20 – MP-H 38-45

Annex D4

**Table D3: Resistance of  $F_{Rk,t}$  of residential pipe clamps MP-HI 38-45 – MP-HI 59-66 and MP-H 45-52 – MP-H 66-74 in case of fire after t = 30, 60 and 90 minutes in combination with threaded rods M10 strength class  $\geq 4.8$**

Item number	Designation	Parameter of regression curve	$F_{Rk,t}$ [N]		
		$F_{Rk}(t) = c_3 (c_1 + c_2 / t)$	$F_{Rk,30}$	$F_{Rk,60}$	$F_{Rk,90}$
386408	MP-HI 38-45 M8/M10	$c_1 = 130,0056$ $c_2 = 6113,7981$ $c_3 = 0,782223$ $22 \text{ min} \leq t \leq 117 \text{ min}$	261,1	181,4	154,8
386409	MP-HI 45-52 M8/M10				
386410	MP-HI 52-59 M8/M10				
386411	MP-HI 59-66 M8/M10				
386429	MP-H 45-52 M8/M10				
386430	MP-H 52-59 M8/M10				
386431	MP-H 59-66 M8/M10				
386432	MP-H 66-74 M8/M10				

**Designation**

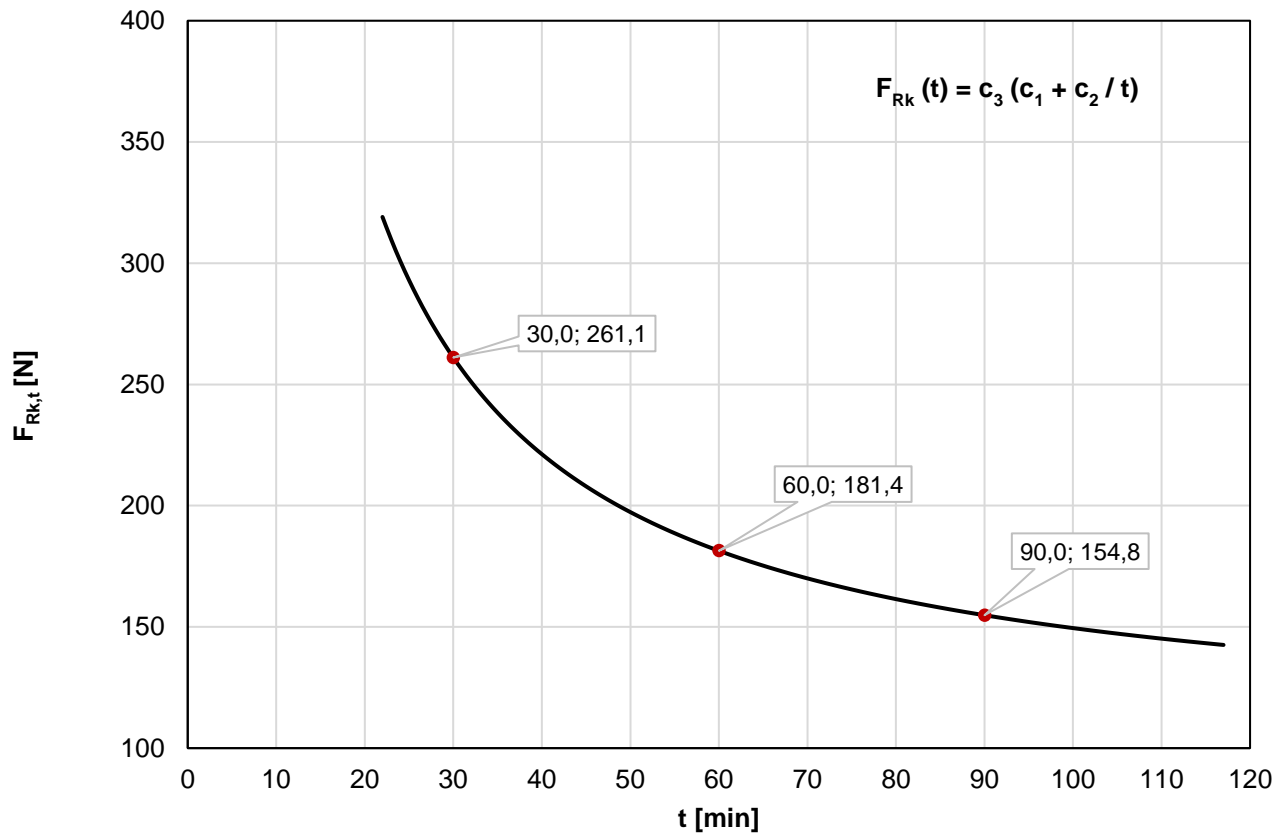
$F_{Rk,t}$  Resistance after an exposure time t in case of fire [N]  
 $F_{Rk}(t)$  Resistance time function in case of fire [N]

Hilti residential pipe clamps MP-HI and MP-H

Resistance in case of fire of residential pipe clamps  
 MP-HI 38-45 – MP-HI 59-66 and MP-H 45-52 – MP-H 66-74

Annex D5

Figure D3: Regression curve according to Table D3



Hilti residential pipe clamps MP-HI and MP-H

Resistance in case of fire of residential pipe clamps  
MP-HI 38-45 – MP-HI 59-66 and MP-H 45-52 – MP-H 66-74

Annex D6

**Table D4: Load displacement function and deformations of residential pipe clamps  
 MP-HI 38-45 – MP-HI 59-66 and MP-H 45-52 – MP-H 66-74 in combination with  
 threaded rods M10 strength class  $\geq 4.8$**

Item number	Designation	Parameter of regression curve	$F_{Rk,30}(\delta)$ [N]				$\delta_{max,t}$ [mm]	
			$F_{Rk,30}(\delta) = a_3(a_1 + \delta^{a_2})$	$F_{Rk,30}(15)$	$F_{Rk,30}(20)$	$F_{Rk,30}(25)$	$F_{Rk,30}(30)$	$\delta_{max,60}$
386408	MP-HI 38-45 M8/M10	$a_1 = 9,8588$ $a_2 = 0,9714$ $a_3 = 0,7905$ $14 \text{ mm} \leq \delta \leq 42 \text{ mm}$	108,2	143,1	177,7	212,1	42,6	42,6
386409	MP-HI 45-52 M8/M10							
386410	MP-HI 52-59 M8/M10							
386411	MP-HI 59-66 M8/M10							
386429	MP-H 45-52 M8/M10							
386430	MP-H 52-59 M8/M10							
386431	MP-H 59-66 M8/M10							
386432	MP-H 66-74 M8/M10							

**Designation**

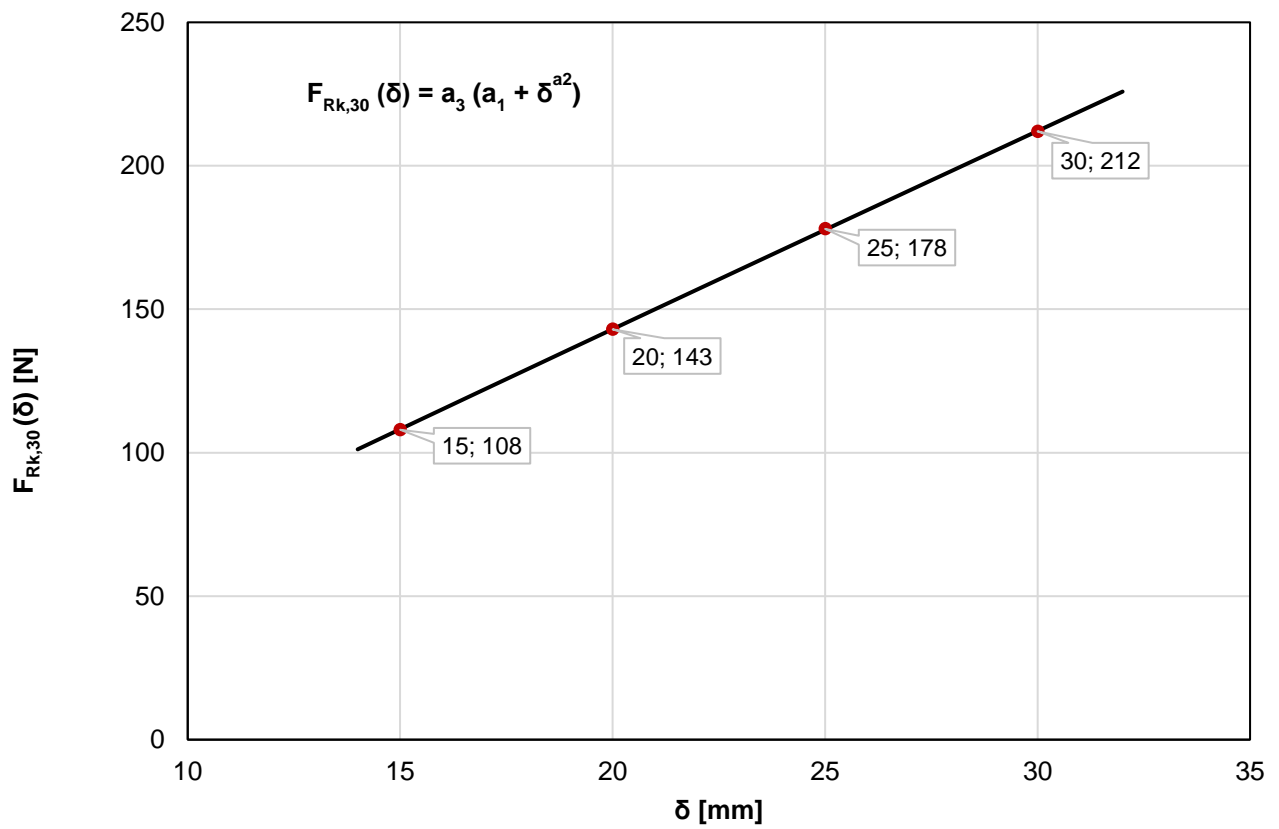
- $\delta$  Deformation
- $\delta_{max,t}$  Maximum deformation after an exposure time  $\leq t$  minutes in case of fire
- $F_{Rk,30}(\delta)$  Load displacement function for an exposure time  $t = 30$  minutes in case of fire

Hilti residential pipe clamps MP-HI and MP-H

Resistance in case of fire of residential pipe clamps  
 MP-HI 38-45 – MP-HI 59-66 and MP-H 45-52 – MP-H 66-74

Annex D7

Figure D4: Regression curve according to Table D4



Hilti residential pipe clamps MP-HI and MP-H

Resistance in case of fire of residential pipe clamps  
MP-HI 38-45 – MP-HI 59-66 and MP-H 45-52 – MP-H 66-74

Annex D8

**Table D5: Resistance of  $F_{Rk,t}$  of residential pipe clamps MP-HI 66-75 – MP-HI 101-110 and MP-H 74-83 – MP-H 110-119 in case of fire after  $t = 30, 60$  and  $90$  minutes in combination with threaded rods M10 strength class  $\geq 4.8$**

Item number	Designation	Parameter of regression curve	$F_{Rk,t}$ [N]		
			$F_{Rk}(t) = c_3 (c_1 + c_2 / t)$	$F_{Rk,30}$	$F_{Rk,60}$
386412	MP-HI 66-75 M8/M10	$c_1 = 251,4309$ $c_2 = 8335,49206$ $c_3 = 0,836356$ $17 \text{ min} \leq t \leq 116 \text{ min}$	442,7	326,5	287,7
386413	MP-HI 75-84 M8/M10				
386414	MP-HI 84-93 M8/M10				
386415	MP-HI 93-101 M8/M10				
386416	MP-HI 101-110 M8/M10				
386433	MP-H 74-83 M8/M10				
386434	MP-H 83-92 M8/M10				
386435	MP-H 92-101 M8/M10				
386436	MP-H 101-110 M8/M10				
386437	MP-H 110-119 M8/M10				

**Designation**

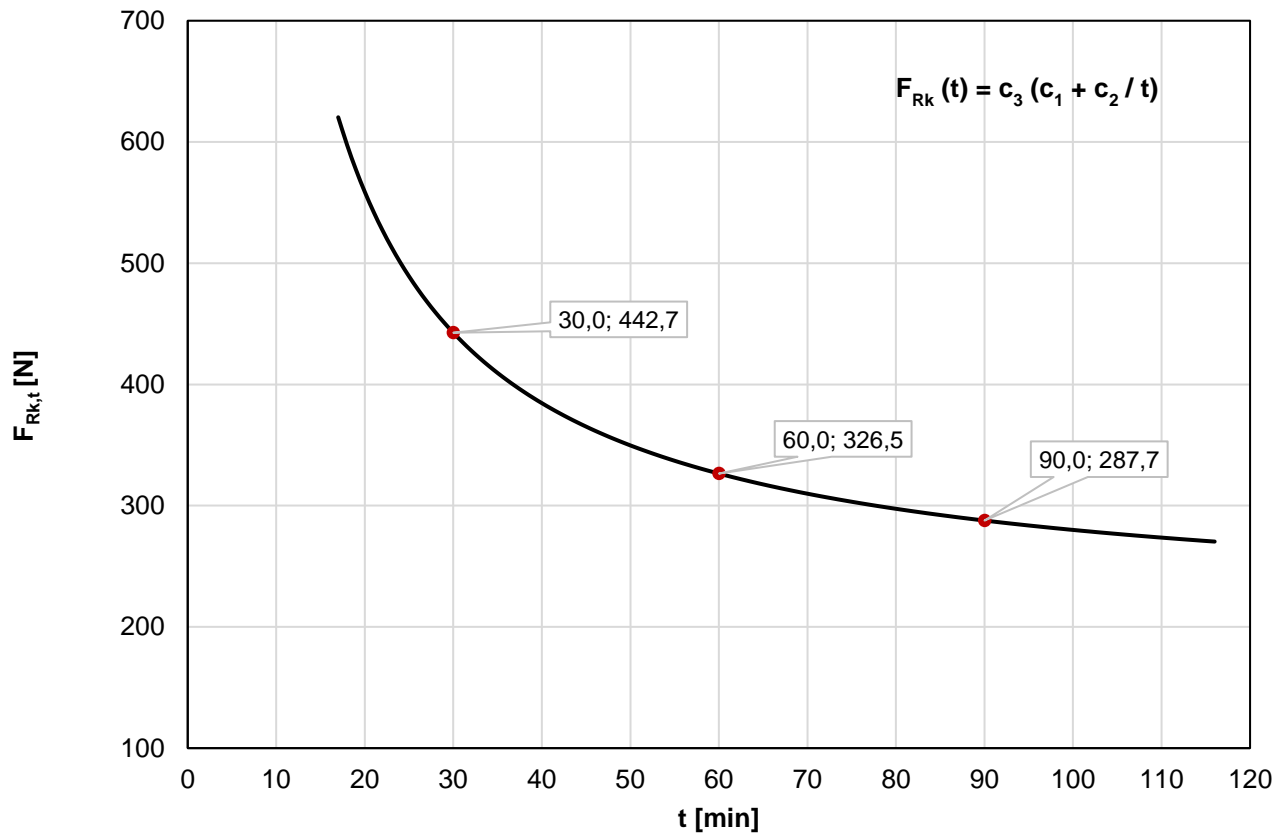
$F_{Rk,t}$  Resistance after an exposure time  $t$  in case of fire [N]  
 $F_{Rk}(t)$  Resistance time function in case of fire [N]

Hilti residential pipe clamps MP-HI and MP-H

Resistance in case of fire of residential pipe clamps  
 MP-HI 66-75 – MP-HI 101-110 and MP-H 74-83 – MP-H 110-119

Annex D9

Figure D5: Regression curve according to Table D5



Hilti residential pipe clamps MP-HI and MP-H

Resistance in case of fire of residential pipe clamps  
MP-HI 66-75 – MP-HI 101-110 and MP-H 74-83 – MP-H 110-119

Annex D10

**Table D6: Load displacement function and deformations of residential pipe rings  
 MP-HI 66-75 – MP-HI 101-110 and MP-H 74-83 – MP-H 110-119 in combination with  
 threaded rods M10 strength class  $\geq 4.8$**

Item number	Designation	Parameter of regression curve $F_{Rk,30}(\delta) = a_3(a_1 + \delta^{a_2})$	$F_{Rk,30}(\delta)$ [N]				$\delta_{max,t}$ [mm]	
			$F_{Rk,30}(25)$	$F_{Rk,30}(40)$	$F_{Rk,30}(60)$	$F_{Rk,30}(80)$	$\delta_{max,60}$	$\delta_{max,90}$
386412	MP-HI 66-75 M8/M10	$a_1 = 44,7483$ $a_2 = 0,5817$ $a_3 = 0,8386$ $25 \text{ mm} \leq \delta \leq 80 \text{ mm}$	224,0	320,8	406,1	480,1	80,1	80,1
386413	MP-HI 75-84 M8/M10							
386414	MP-HI 84-93 M8/M10							
386415	MP-HI 93-101 M8/M10							
386416	MP-HI 101-110 M8/M10							
386433	MP-H 74-83 M8/M10							
386434	MP-H 83-92 M8/M10							
386435	MP-H 92-101 M8/M10							
386436	MP-H 101-110 M8/M10							
386437	MP-H 110-119 M8/M10							

**Designation**

- $\delta$  Deformation
- $\delta_{max,t}$  Maximum deformation after an exposure time  $\leq t$  minutes in case of fire
- $F_{Rk,30}(\delta)$  Load displacement function for an exposure time  $t = 30$  minutes in case of fire

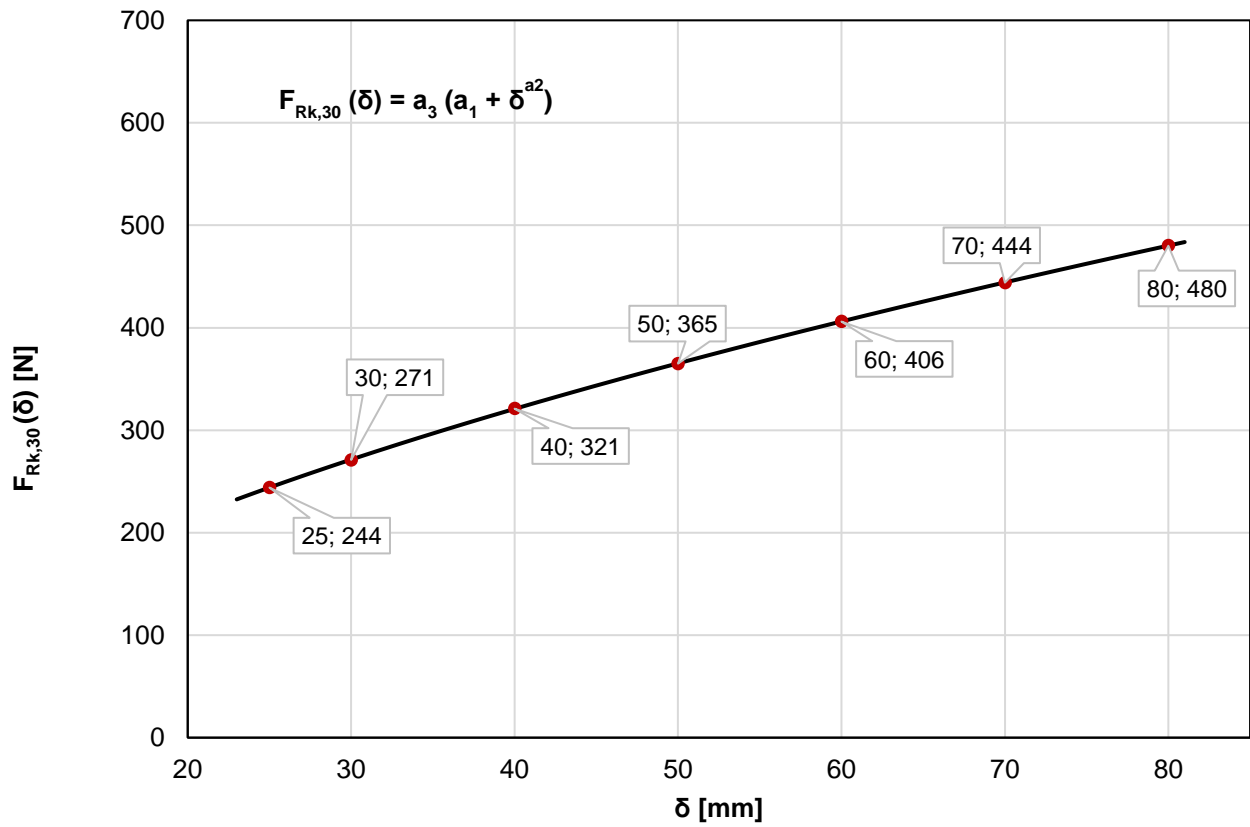
Hilti residential pipe clamps MP-HI and MP-H

Resistance in case of fire of residential pipe clamps  
 MP-HI 66-75 – MP-HI 101-110 and MP-H 74-83 – MP-H 110-119

Annex D11



Figure D6: Regression curve according to Table D6



Hilti residential pipe clamps MP-HI and MP-H

Resistance in case of fire of residential pipe clamps  
MP-HI 66-75 – MP-HI 101-110 and MP-H 74-83 – MP-H 110-119

Annex D12

**Table D7: Resistance of  $F_{Rk,t}$  of residential pipe clamp MP-HI 110-119 – MP-HI 163-172 and MP-H 119-127 – MP-H 163-172 in case of fire after  $t = 30, 60$  and  $90$  minutes in combination with threaded rods M10 strength class  $\geq 4.8$**

Item number	Designation	Parameter of regression curve	$F_{Rk,t}$ [N]		
			$F_{Rk,30}$	$F_{Rk,60}$	$F_{Rk,90}$
386417	MP-HI 110-119 M8/M10	$C_1 = 273,9652$ $C_2 = 10491,7186$ $C_3 = 0,830129$ $27 \text{ min} \leq t \leq 107 \text{ min}$	517,7	372,6	324,2
386418	MP-HI 119-129 M8/M10				
386419	MP-HI 129-137 M8/M10				
386420	MP-HI 137-145 M8/M10				
386421	MP-HI 145-155 M8/M10				
386422	MP-HI 155-163 M8/M10				
386423	MP-HI 163-172 M8/M10				
386438	MP-H 119-127 M8/M10				
386439	MP-H 127-137 M8/M10				
386440	MP-H 137-145 M8/M10				
386441	MP-H 145-155 M8/M10				
386442	MP-H 155-163 M8/M10				
386443	MP-H 163-172 M8/M10				

**Designation**

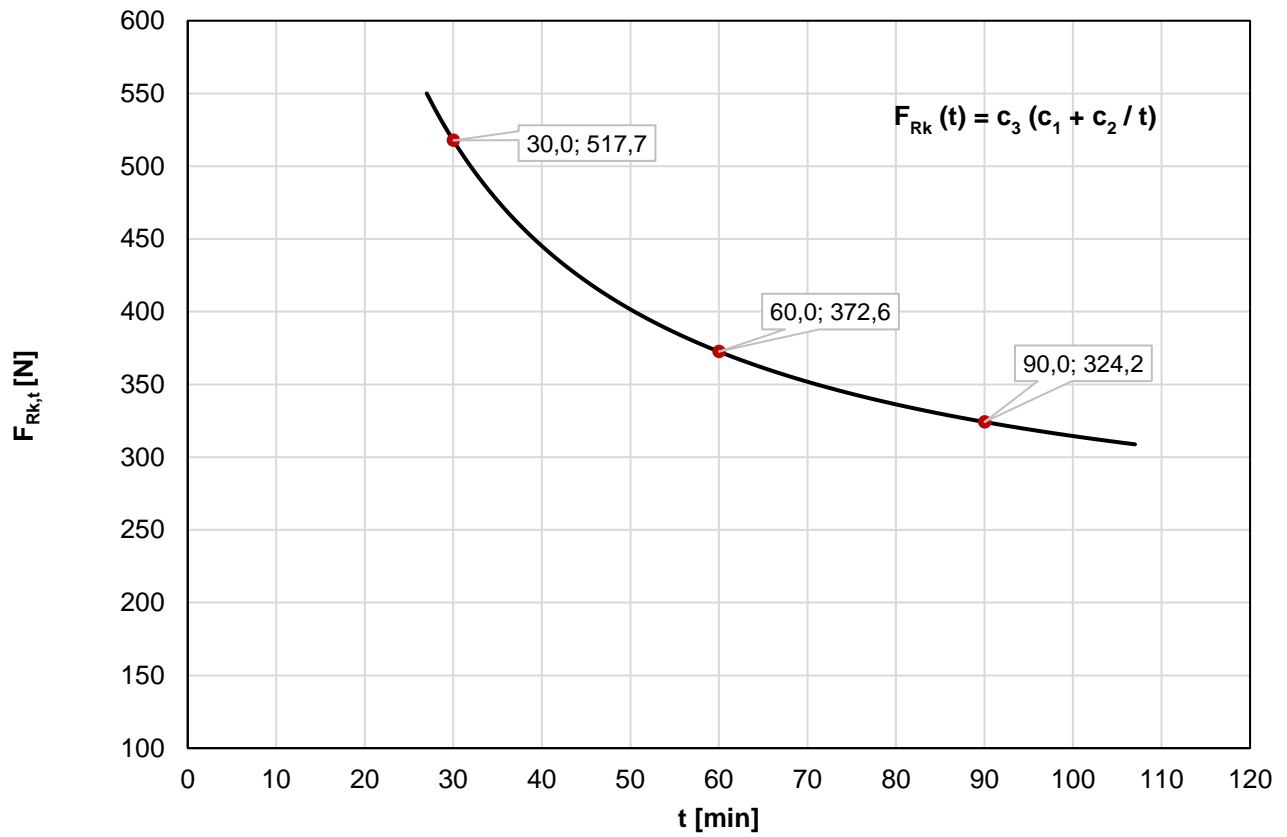
$F_{Rk,t}$  Resistance after an exposure time  $t$  in case of fire [N]  
 $F_{Rk}(t)$  Resistance time function in case of fire [N]

Hilti residential pipe clamps MP-HI and MP-H

Resistance in case of fire of residential pipe clamps  
 MP-HI 110-119 – MP-HI 163-172 and MP-H 119-127 – MP-H 163-172

Annex D13

Figure D7: Regression curve according to Table D7



Hilti residential pipe clamps MP-HI and MP-H

Resistance in case of fire of residential pipe clamps  
MP-HI 110-119 – MP-HI 163-172 and MP-H 119-127 – MP-H 163-172

Annex D14

**Table D8: Load displacement function and deformations of residential pipe rings  
 MP-HI 110-119 – MP-HI 163-172 and MP-H 119-127 – MP-H 163-172 in combination  
 with threaded rods M10 strength class  $\geq 4.8$**

Item number	Designation	Parameter of regression curve	$F_{Rk,30}(\delta)$ [N]				$\delta_{max,t}$ [mm]	
			$F_{Rk,30}(\delta) = a_3(a_1 + \delta^{a_2})$	$F_{Rk,30}(25)$	$F_{Rk,30}(40)$	$F_{Rk,30}(50)$	$F_{Rk,30}(55)$	$\delta_{max,60}$
386417	MP-HI 110-119 M8/M10	$a_1 = 49,3956$ $a_2 = 0,5912$ $a_3 = 0,766$ $23 \text{ mm} \leq \delta \leq 68 \text{ mm}$	253,7	335,0	382,2	404,4	68,1	68,1
386418	MP-HI 119-129 M8/M10							
386419	MP-HI 129-137 M8/M10							
386420	MP-HI 137-145 M8/M10							
386421	MP-HI 145-155 M8/M10							
386422	MP-HI 155-163 M8/M10							
386423	MP-HI 163-172 M8/M10							
386438	MP-H 119-127 M8/M10							
386439	MP-H 127-137 M8/M10							
386440	MP-H 137-145 M8/M10							
386441	MP-H 145-155 M8/M10							
386442	MP-H 155-163 M8/M10							
386443	MP-H 163-172 M8/M10							

**Designation**

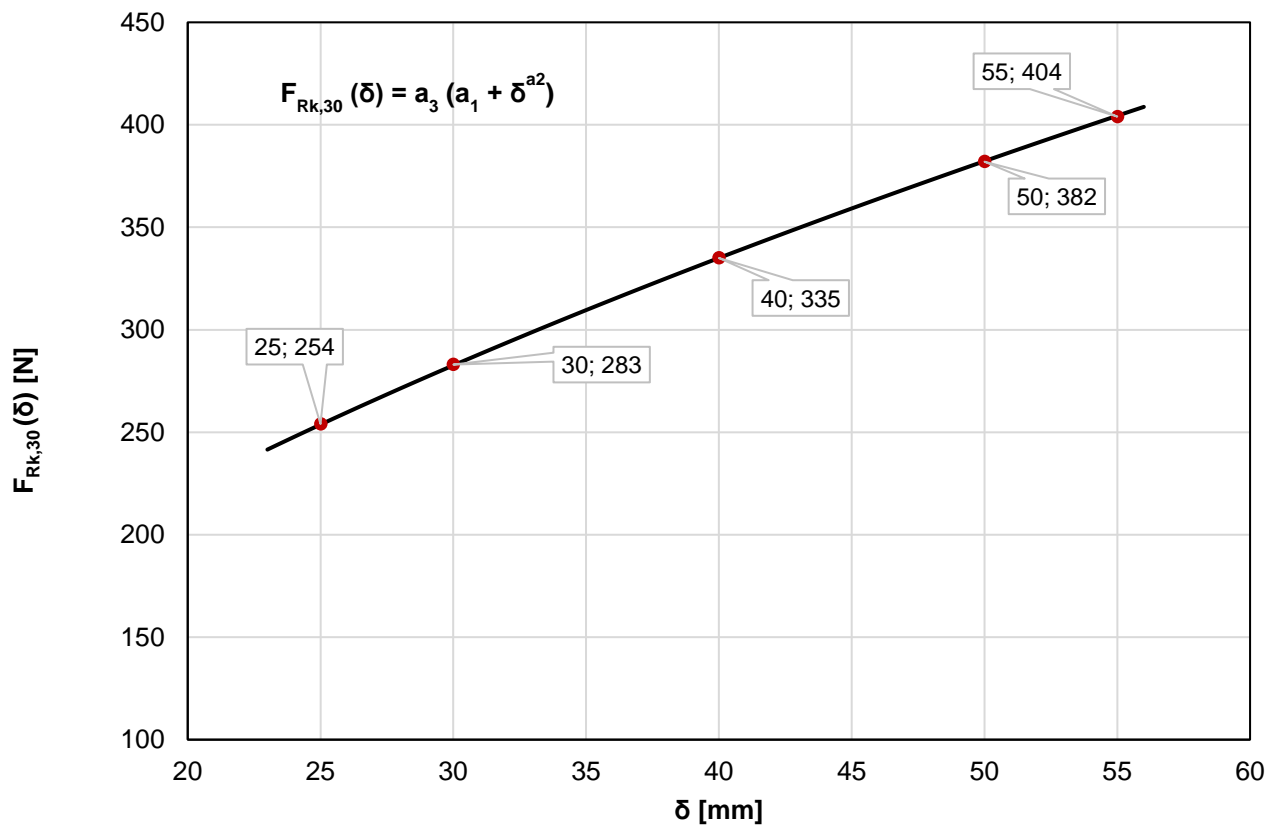
- $\delta$  Deformation
- $\delta_{max,t}$  Maximum deformation after an exposure time  $\leq t$  minutes in case of fire
- $F_{Rk,30}(\delta)$  Load displacement function for an exposure time  $t = 30$  minutes in case of fire

Hilti residential pipe clamps MP-HI and MP-H

Resistance in case of fire of residential pipe clamps  
 MP-HI 110-119 – MP-HI 163-172 and MP-H 119-127 – MP-H 163-172

Annex D15

Figure D8: Regression curve according to Table D8

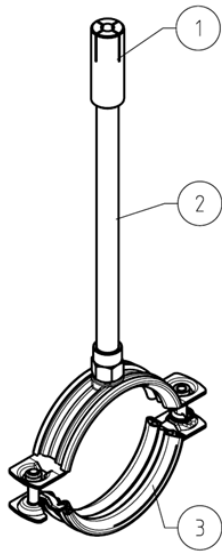


Hilti residential pipe clamps MP-HI and MP-H

Resistance in case of fire of residential pipe clamps  
MP-HI 110-119 – MP-HI 163-172 and MP-H 119-127 – MP-H 163-172

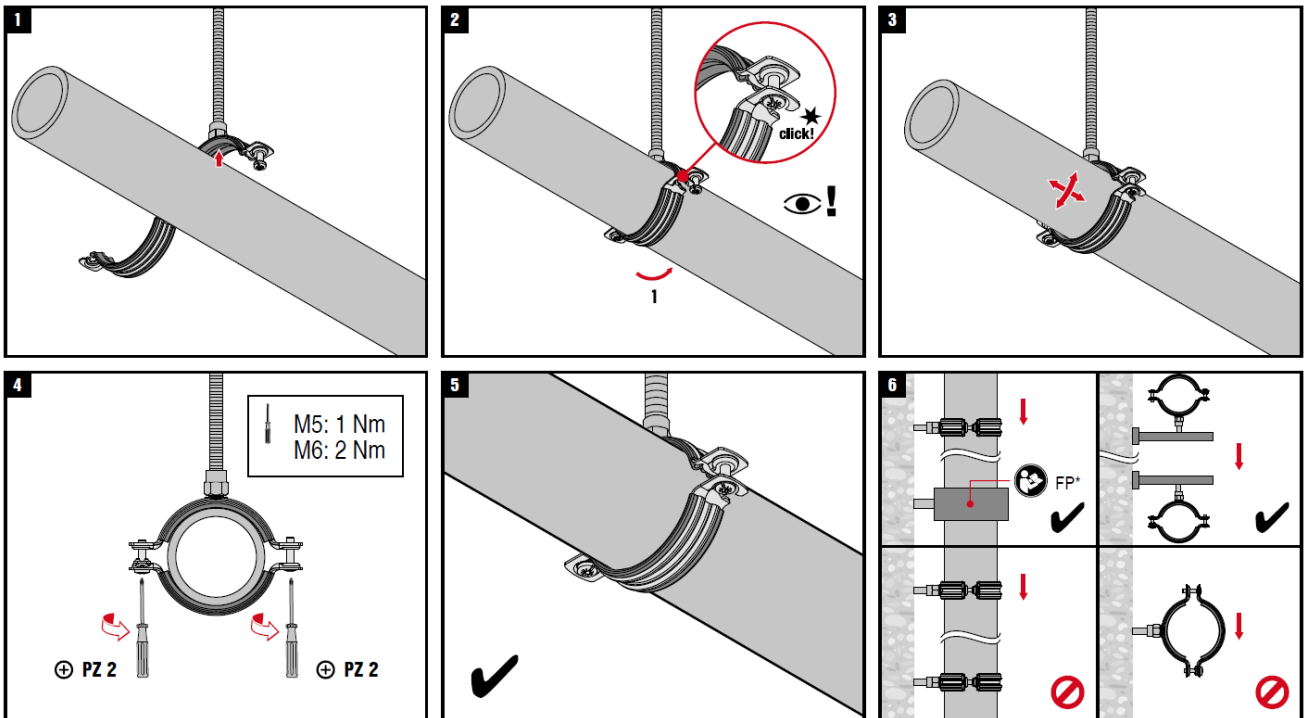
Annex D16

Figure E1: Bill of material and instructions for use



Bill of material					
Part of typical		Ref.	Opt.	Item No.	Description
Setup	Fixation	1	A	376967	HKD M10x40 drop-in anchor
		2	A*	339793	AM8x1000 4.8 threaded rod
				339794	AM8x2000 4.8 threaded rod
		216415	AM8x3000 4.8 threaded rod		
		2	B**	339795	AM10x1000 4.8 threaded rod
				339796	AM10x2000 4.8 threaded rod
				216418	AM10x3000 4.8 threaded rod
Pipe clamp	M8/M10	3	A	386402	MP-HI M8/10
			B	386443	and MP-H M8/10

\* Only for use under ambient temperature  
 \*\* In case of fire



\*FP = Fixed Point / Fixpunkt

Hilti residential pipe clamps MP-HI and MP-H

General assembly instructions

Annex E1  
 (informative)



# Europäische Technische Bewertung

# ETA-21/0803 vom 28/01/2022

(Deutsche Übersetzung - Original in französischer Sprache)

## Allgemeiner Teil

Handelsbezeichnung:	Rohrschellen Hilti Residential MP-HI und MP-H
Produktfamilie:	Produkte für Installationssysteme für technische Gebäudeausstattung
Hersteller:	Hilti AG Liechtenstein Feldkircherstraße 100 9494 Schaan FÜRSTENTUM LIECHTENSTEIN
Herstellungsbetrieb:	L 9295
Diese Europäische Technische Bewertung enthält:	29 Seiten einschließlich 54 Seiten in Anhängen, die fester Bestandteil dieser Bewertung sind
Diese Europäische Technische Bewertung wird gemäß der Verordnung (EU) Nr. 305/2011 ausgestellt, auf der Grundlage von:	Europäisches Bewertungsdokument EAD 280016-00-0602 Version August 2017
Diese Version ersetzt:	-

Die Europäische Technische Bewertung wird von der technischen Bewertungsstelle in ihrer Amtssprache ausgestellt. Übersetzungen dieser Europäischen Technischen Bewertung in andere Sprachen müssen dem Original vollständig entsprechen und müssen als solche gekennzeichnet sein. Diese Europäische Technische Bewertung darf, auch bei elektronischer Übermittlung, nur vollständig und ungekürzt wiedergegeben werden. Eine teilweise Wiedergabe kann nur mit schriftlicher Zustimmung der ausstellenden technischen Bewertungsstelle erfolgen. Jede teilweise Wiedergabe ist als solche zu kennzeichnen. Die ausstellende technische Bewertungsstelle kann diese Europäische Technische Bewertung widerrufen, insbesondere nach Unterrichtung durch die Kommission gemäß Artikel 25 Absatz 3 der Verordnung (EU) Nr. 305/2011.

**Besonderer Teil**

**1 Technische Beschreibung des Produkts**

Inhalt dieser Europäischen Technischen Bewertung sind die Rohrschellen Hilti Residential MP-HI M8/10, und MP-H M8/10. Die Rohrschellen bestehen jeweils aus zwei profilierten Stahlbändern, die so ausgebildet sind, dass sie ein Rohr kreisförmig umschließen können. Die Schellenbänder sind auf einer Seite durch eine Stahlschraube miteinander verbunden, auf der anderen Seite durch ein Steckverriegelungssystem. Die Rohrschellen werden an die Außenseite des zu befestigenden Rohrs gedrückt und durch eine Spannschraube gehalten. Jede Rohrschelle hat einen ausgewiesenen Spannbereich, in dem sie eingesetzt werden kann. Das obere Schellenband hat einen aufgeschweißten Anschlusskopf mit Anschlussgewinde M8/M10.

An der Innenseite sind die Rohrschellen MP-HI M8/10 zur Körperschallentkopplung, zum Ausgleich von Unebenheiten und zur Vermeidung von Kontaktkorrosion mit einem TPE-Profil versehen.

Anhang A beschreibt die Abmessungen und Werkstoffe der Rohrschellen Hilti Residential MP-HI M8/10 und MP-H M8/10. Die Voraussetzungen für die Leistungsbewertung sind in Anhang B beschrieben.

**2 Spezifizierung des Verwendungszwecks**

Von den Leistungen in Abschnitt 3 kann nur ausgegangen werden, sofern die Rohrschellen Hilti Residential MP-HI M8/10 und MP-H M8/10 entsprechend den Angaben und unter den Randbedingungen nach den Anhängen A bis D verwendet werden. Die Prüf- und Bewertungsmethoden, die dieser Europäischen Technischen Bewertung zugrunde liegen, führen zur Annahme einer Nutzungsdauer der Rohrschellen von mindestens 50 Jahren unter Endnutzungsbedingungen in Innenräumen bei normalen Temperaturen. Die Angaben zur Nutzungsdauer können nicht als Garantie des Herstellers ausgelegt werden, sondern dienen lediglich als Anhaltspunkt zur Auswahl des richtigen Produkts im Hinblick auf die erwartete wirtschaftlich angemessene Nutzungsdauer.

Gemäß Europäischem Bewertungsdokument EAD 280016-00-0602 sind folgende Verwendungszwecke für das Produkt vorgesehen:

- a) Installation zur Halterung von Sprinkler-Bausätzen;
- b) Installation zur Halterung von technischer Gebäudeausstattung-

**3 Leistung des Produkts und Angaben zu den verwendeten Bewertungsmethoden**

**3.1 Brandschutz (BWR 2)**

Wesentliches Merkmal	Leistung
Brandverhalten:	Klasse A1
Widerstand und Verformungen der Rohrschellen Hilti Residential MP-HI M8/10 und MP-H M8/10 unter Brandbeanspruchung	siehe Anhang D

**3.2 Sicherheit und Barrierefreiheit bei der Nutzung (BWR4)**

Wesentliche Merkmale	Leistung
Abmessungen und Werkstoffe der Rohrschellen Hilti Residential MP-HI M8/10 und MP-H M8/10 MP-H M8/10/½"	siehe Anhang A
Charakteristische Eigenschaften der Rohrschellen Hilti Residential MP-HI M8/10 und MP-H M8/10 bei Raumtemperatur	siehe Anhang C



**4 Angewandtes System zur Bewertung und Überprüfung der Leistungsbeständigkeit (AVCP) mit Angabe der Rechtsgrundlage**

Gemäß Europäischem Bewertungsdokument EAD 280016-00-0602 gelten die folgenden Rechtsgrundlagen:

- Im Fall des in Abschnitt 2 genannten Verwendungszwecks a):  
Entscheidung der Kommission Nr. 96/577/EG in der durch die Entscheidung 2002/592/EG der Kommission geänderten Fassung:  
System 1 ist zur Bewertung und Überprüfung der Leistungsbeständigkeit (AVCP) anzuwenden.
- Im Fall des in Abschnitt 2 genannten Verwendungszwecks a):  
Entscheidung der Kommission Nr. 97/161/EG:  
System 2+ ist zur Bewertung und Überprüfung der Leistungsbeständigkeit (AVCP) anzuwenden.
- Im Fall des in Abschnitt 2 genannten Verwendungszwecks b):  
Entscheidung der Kommission Nr. 1999/472/EG in der durch die Entscheidung 2001/596/EG geänderten Fassung der Kommission:  
System 3 ist zur Bewertung und Überprüfung der Leistungsbeständigkeit (AVCP) anzuwenden.

**5 Für die Durchführung des Systems zur Bewertung und Überprüfung der Leistungsbeständigkeit (AVPC) erforderliche technische Einzelheiten gemäß anwendbarem EAD**

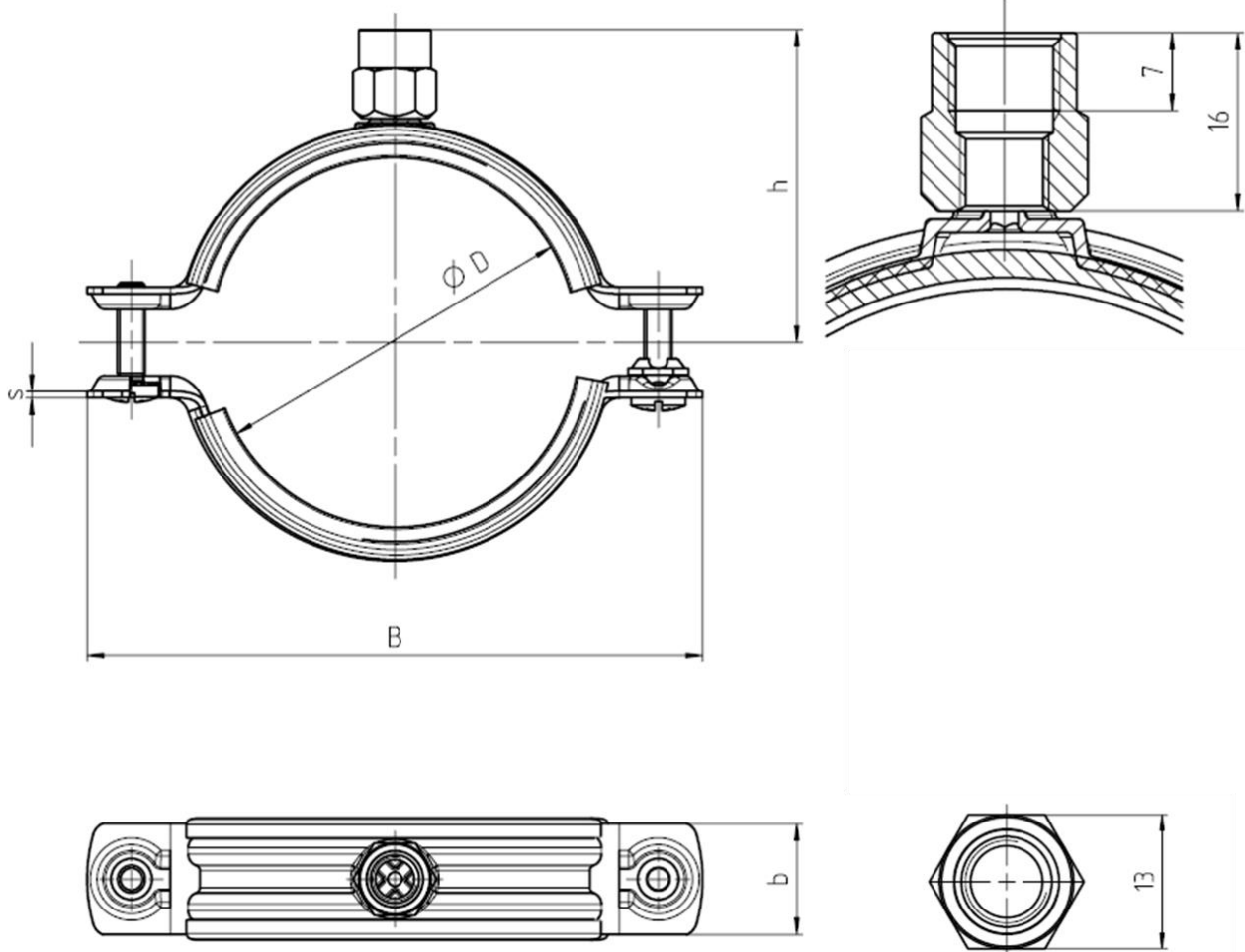
Technische Einzelheiten, die für die Durchführung des Systems zur Bewertung und Überprüfung der Leistungsbeständigkeit erforderlich sind, sind im Prüfplan (vertraulicher Bestandteil dieser Europäischen Technischen Bewertung) angegeben, der beim Centre Scientifique et Technique du Bâtiment (CSTB) hinterlegt ist.

Der Hersteller hat auf vertraglicher Grundlage eine Stelle einzuschalten, die für die Aufgaben im Hinblick auf die Ausstellung einer CE-Konformitätsbescheinigung im Bereich Ankerschienen auf Basis des Prüfplans zugelassen ist.

**Deutsche Übersetzung - Original in französischer Sprache**

Abteilungsleiterin, Anca CRONOPOL

Abbildung A1: Geometrie und Abmessungen der Rohrschellen Hilti Residential MP-HI M8/M10



Abmessungen in mm

Tabelle A1: Werkstoffe der Rohrschellen Hilti Residential MP-HI M8/M10

Komponenten der Rohrschelle	Werkstoffe
Schellenband	DC01 gemäß EN 10130
Anschlusskopf	Festigkeitsklasse 6 gemäß EN ISO 898-2
Spannschraube M5, M6, M8	Festigkeitsklasse $\geq 4,8$ gemäß EN ISO 7045
Elastomerschicht	MP-HI 8-12: Gummi gemäß ISO 3302-1 MP-HI 12-16 bis MP-HI 163-172: EPDM
Unterlegscheibe	PE

Rohrschellen Hilti Residential MP-HI und MP-H

Produktbeschreibung  
Abmessungen und Werkstoffe

Anhang A1

Tabelle A2: Abmessungen und Anzugsdrehmomente der Rohrschellen MP-HI M8/M10

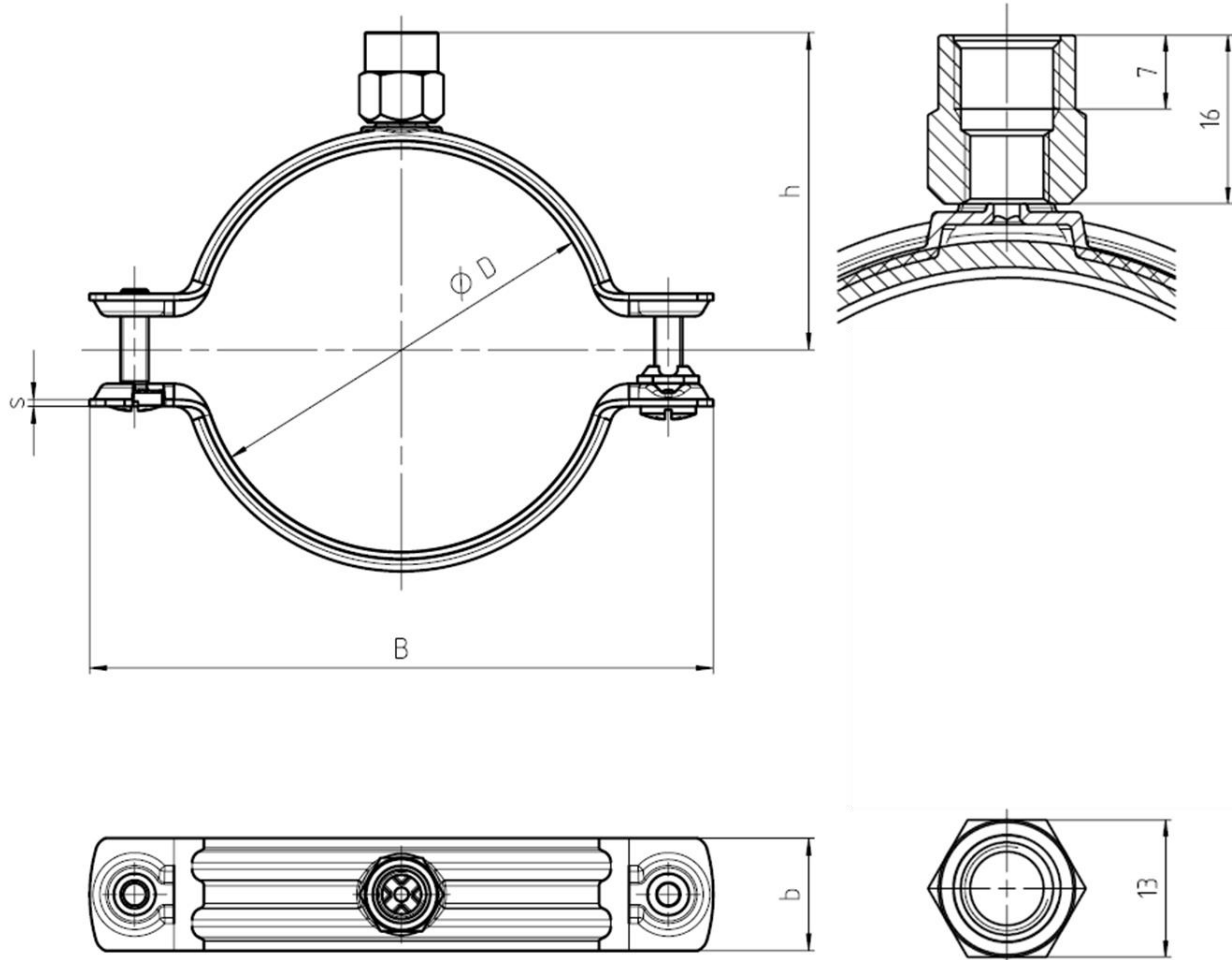
Artikelnummer	Bezeichnung	D [mm]	B [mm]	b x s [mm]	h [mm]	Anzugsdrehmoment [Nm]	Schraubengröße
386402	MP-HI 8-12 M8/M10	21,0	54,0	20 x 1,2	26,0	1	M5
386403	MP-HI 12-16 M8/M10	21,0	54,0	20 x 1,2	26,0	1	M5
386404	MP-HI 16-20 M8/M10	25,0	58,5	20 x 1,2	28,1	1	M5
386405	MP-HI 20-25 M8/M10	30,0	63,2	20 x 1,2	30,4	1	M5
386406	MP-HI 25-31 M8/M10	36,6	72,0	20 x 1,2	33,3	1	M5
386407	MP-HI 31-38 M8/M10	44,6	78,3	20 x 1,2	36,3	1	M5
386408	MP-HI 38-45 M8/M10	51,4	88,5	20 x 1,2	39,7	1	M5
386409	MP-HI 45-52 M8/M10	59,0	96,2	20 x 1,2	43,3	1	M5
386410	MP-HI 52-59 M8/M10	66,0	103,6	20 x 1,2	46,7	1	M5
386411	MP-HI 59-66 M8/M10	74,0	112,5	20 x 1,2	50,3	1	M5
386412	MP-HI 66-75 M8/M10	83,0	130,0	25 x 1,8	55,8	2	M6
386413	MP-HI 75-84 M8/M10	92,6	140,0	25 x 1,8	60,1	2	M6
386414	MP-HI 84-93 M8/M10	102,0	148,5	25 x 1,8	64,5	2	M6
386415	MP-HI 93-101 M8/M10	111,2	159,7	25 x 1,8	69,0	2	M6
386416	MP-HI 101-110 M8/M10	121,0	169,3	25 x 1,8	72,8	2	M6
386417	MP-HI 110-119 M8/M10	128,6	178,7	25 x 2,3	78,3	2	M6
386418	MP-HI 119-129 M8/M10	140,0	190,0	25 x 2,3	83,0	2	M6
386419	MP-HI 129-137 M8/M10	150,8	199,5	25 x 2,3	87,7	2	M6
386420	MP-HI 137-145 M8/M10	159,4	210,3	25 x 2,3	91,5	2	M6
386421	MP-HI 145-155 M8/M10	169,0	222,7	25 x 2,3	95,0	2	M6
386422	MP-HI 155-163 M8/M10	178,0	232,0	25 x 2,3	99,7	2	M6
386423	MP-HI 163-172 M8/M10	186,0	241,5	25 x 2,3	103,5	2	M6

Rohrschellen Hilti Residential MP-HI und MP-H

Produktbeschreibung  
Abmessungen

Anhang A2

Abbildung A2: Geometrie und Abmessungen der Rohrschellen Hilti Residential MP-H M8/10



Abmessungen in mm

Tabelle A3: Werkstoffe der Rohrschellen Hilti Residential MP-HI M8/10/O16

Komponenten der Rohrschelle	Werkstoffe
Schellenband	DC01 gemäß EN 10130
Anschlusskopf	Festigkeitsklasse 6 gemäß EN ISO 898-2
Spannschraube M5, M6, M8	Festigkeitsklasse $\geq 4,8$ gemäß EN ISO 898-1
Unterlegscheibe	PE

Rohrschellen Hilti Residential MP-HI und MP-H

Produktbeschreibung  
Abmessungen und Werkstoffe

Anhang A3

Tabelle A4: Abmessungen und Anzugsdrehmomente der Rohrschellen MP-H M8/10

Artikelnummer	Bezeichnung	D [mm]	B [mm]	b x s [mm]	h [mm]	Artikelnummer [Nm]	Bezeichnung
386424	MP-H 16-20 M8/M10	21,0	54,0	20 x 1,2	28,1	1	M5
386425	MP-H 20-25 M8/M10	25,0	58,5	20 x 1,2	30,4	1	M5
386426	MP-H 25-31 M8/M10	30,0	63,2	20 x 1,2	33,3	1	M5
386427	MP-H 31-38 M8/M10	36,6	72,0	20 x 1,2	36,3	1	M5
386428	MP-H 38-45 M8/M10	44,6	78,3	20 x 1,2	39,7	1	M5
386429	MP-H 45-52 M8/M10	51,4	88,5	20 x 1,2	43,3	1	M5
386430	MP-H 52-59 M8/M10	59,0	96,2	20 x 1,2	46,7	1	M5
386431	MP-H 59-66 M8/M10	66,0	103,6	20 x 1,2	50,3	1	M5
386432	MP-H 66-74 M8/M10	74,0	112,5	20 x 1,2	55,8	1	M5
386433	MP-H 74-83 M8/M10	83,0	130,0	25 x 1,8	60,1	2	M6
386434	MP-H 83-92 M8/M10	92,6	140,0	25 x 1,8	64,5	2	M6
386435	MP-H 92-101 M8/M10	102,0	148,5	25 x 1,8	69,0	2	M6
386436	MP-H 101-110 M8/M10	111,2	159,7	25 x 1,8	72,8	2	M6
386437	MP-H 110-119 M8/M10	121,0	169,3	25 x 1,8	78,3	2	M6
386438	MP-H 119-127 M8/M10	128,6	178,7	25 x 2,3	83,0	2	M6
386439	MP-H 127-137 M8/M10	140,0	190,0	25 x 2,3	87,7	2	M6
386440	MP-H 137-145 M8/M10	149,0	199,5	25 x 2,3	91,5	2	M6
386441	MP-H 145-155 M8/M10	159,4	210,3	25 x 2,3	95,0	2	M6
386442	MP-H 155-163 M8/M10	169,0	222,7	25 x 2,3	99,7	2	M6
386443	MP-H 163-172 M8/M10	178,0	232,0	25 x 2,3	103,5	2	M6


Rohrschellen Hilti Residential MP-HI und MP-H

Produktbeschreibung  
Abmessungen

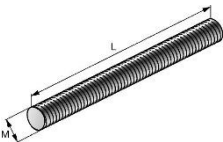
Anhang A4

- Die Rohrschellen Hilti Residential MP-HI M8/10, MP-H M8/10 dienen der Lastabtragung von Bauteilen der technischen Gebäudeausrüstung wie Leitungen und Ausrüstungen für Sprinkler-, Wasser-, Heizungs-, Kühl-, Lüftungs-, Elektro- und sonstige Installationen. Die Rohrschellen sind unter den in Abschnitt 2 dieser Europäischen Technischen Bewertung beschriebenen Bedingungen zur Erfüllung dieser lasttragenden Funktion geeignet.
- Die Angaben zu Widerständen und Verformungen unter Brandbeanspruchung beziehen sich auf die Randbedingungen der Einheitstemperaturkurve (ETK) gemäß EN 1363-1
- Die Leistungsdaten der Rohrschellen ergeben sich in Verbindung mit den Gewindestangen gemäß Tabelle B1 und Tabelle B2.
- Der Einbau der Rohrschellen muss durch entsprechend geschultes Personal unter Aufsicht des Bauleiters erfolgen. Es gelten die allgemeinen Montagehinweise des Herstellers.
- Die Angaben zu Widerständen und Verformungen bei Raumtemperatur und unter Brandbeanspruchung gelten für statische und zentrische Einwirkungen.
- Die Schraube der Rohrschellen muss gemäß den Anweisungen in der Gebrauchsanleitung systematisch mit einem Anzugsdrehmoment von 1 bis 2 Nm angezogen werden.
- Vor dem Einbau muss sichergestellt sein, dass das aufzunehmende Rohr, die Verankerung der Gewindestangen im Untergrund sowie der Untergrund selbst geeignet sind, die ausgewiesenen Widerstandswerte der Rohrschellen aufzunehmen und über einen brandschutztechnischen Nachweis verfügen.

**Tabelle B1: Gewindestangen zur Verwendung mit Hilti Rohrschellen MP-HI M8/10 und MP-H M8/10 bei Umgebungstemperatur**

Abbildung	Artikelnummer	Bezeichnung	Gewinde	L [mm]	Werkstoff
	339793	AM8x1000 4.8	M8	1000	Festigkeitsklasse 4.8 gemäß DIN 976-1, verzinkt
	339794	AM8x2000 4.8	M8	2000	
	216415	AM8x3000 4.8	M8	3000	

**Tabelle B2: Gewindestangen zur Verwendung mit Hilti Rohrschellen MP-HI M8/10 und MP-H M8/10 bei Umgebungstemperatur und im Brandfall**

Abbildung	Artikelnummer	Bezeichnung	Gewinde	L [mm]	Werkstoff
	339795	AM10x1000 4.8	M10	1000	Festigkeitsklasse 4.8 gemäß DIN 976-1, verzinkt
	339796	AM10x2000 4.8	M10	2000	
	216418	AM10x3000 4.8	M10	3000	

Rohrschellen Hilti Residential MP-HI und MP-H

Voraussetzungen für die Leistungsbewertung

Anhang B1

**Tabelle C1: Charakteristische Widerstand bei Umgebungstemperatur für MP-HI M8/10 in Kombination mit Gewindestangen  $\geq$  M8 4,8**

Artikelnummer	Bezeichnung	Charakteristischer Widerstand bei Zugbeanspruchung $F_{Rk}$ [N]	Teilsicherheitsbeiwert <sup>1)</sup> $\gamma_m$ [-]
386402	MP-HI 8-12 M8/M10	1643	1,30
386403	MP-HI 12-16 M8/M10		
386404	MP-HI 16-20 M8/M10		
386405	MP-HI 20-25 M8/M10		
386406	MP-HI 25-31 M8/M10		
386407	MP-HI 31-38 M8/M10		
386408	MP-HI 38-45 M8/M10	1684	1,30
386409	MP-HI 45-52 M8/M10		
386410	MP-HI 52-59 M8/M10		
386411	MP-HI 59-66 M8/M10		
386412	MP-HI 66-75 M8/M10	2731	1,69
386413	MP-HI 75-84 M8/M10		
386414	MP-HI 84-93 M8/M10		
386415	MP-HI 93-101 M8/M10		
386416	MP-HI 101-110 M8/M10		
386417	MP-HI 110-119 M8/M10	3494	2,15
386418	MP-HI 119-129 M8/M10		
386419	MP-HI 129-137 M8/M10		
386420	MP-HI 137-145 M8/M10		
386421	MP-HI 145-155 M8/M10		
386422	MP-HI 155-163 M8/M10		
386423	MP-HI 163-172 M8/M10		

<sup>1)</sup> Sofern keine anderen nationalen Regelungen vorliegen

**Rohrschellen Hilti Residential MP-HI und MP-H**

**Charakteristischer Widerstand bei Zugbeanspruchung bei Raumtemperatur**

**Anhang C1**

**Tabelle C2: Nutzlast und Verformung bei Umgebungstemperatur für MP-HI M8/10 in Kombination mit Gewindestangen  $\geq$  M8 4,8**

Artikelnummer	Bezeichnung	Nutzlast F <sub>SLs</sub> [N]	Zugehörige Verformung [mm]
386402	MP-HI 8-12 M8/M10	1106	1,50
386403	MP-HI 12-16 M8/M10		
386404	MP-HI 16-20 M8/M10		
386405	MP-HI 20-25 M8/M10		
386406	MP-HI 25-31 M8/M10		
386407	MP-HI 31-38 M8/M10		
386408	MP-HI 38-45 M8/M10	933	1,50
386409	MP-HI 45-52 M8/M10		
386410	MP-HI 52-59 M8/M10		
386411	MP-HI 59-66 M8/M10		
386412	MP-HI 66-75 M8/M10	1425	1,50
386413	MP-HI 75-84 M8/M10		
386414	MP-HI 84-93 M8/M10		
386415	MP-HI 93-101 M8/M10		
386416	MP-HI 101-110 M8/M10		
386417	MP-HI 110-119 M8/M10	1776	2,38
386418	MP-HI 119-129 M8/M10		
386419	MP-HI 129-137 M8/M10		
386420	MP-HI 137-145 M8/M10		
386421	MP-HI 145-155 M8/M10		
386422	MP-HI 155-163 M8/M10		
386423	MP-HI 163-172 M8/M10		

Rohrschellen Hilti Residential MP-HI und MP-H

Nutzlast und Verformung bei Raumtemperatur

Anhang C2



**Tabelle C3: Charakteristische Widerstand bei Umgebungstemperatur für MP-H M8/10 in Kombination mit Gewindestangen  $\geq$  M8 4,8**

Artikelnummer	Bezeichnung	Charakteristischer Widerstand bei Zugbeanspruchung $F_{Rk}$ [N]	Teilsicherheitsbeiwert <sup>1)</sup> $\gamma_m$ [-]
386424	MP-H 16-20 M8/M10	1499	3,33
386425	MP-H 20-25 M8/M10		
386426	MP-H 25-31 M8/M10		
386427	MP-H 31-38 M8/M10		
386428	MP-H 38-45 M8/M10		
386429	MP-H 45-52 M8/M10	1655	1,65
386430	MP-H 52-59 M8/M10		
386431	MP-H 59-66 M8/M10		
386432	MP-H 66-74 M8/M10		
386433	MP-H 74-83 M8/M10		
386434	MP-H 83-92 M8/M10	2411	1,71
386435	MP-H 92-101 M8/M10		
386436	MP-H 101-110 M8/M10		
386437	MP-H 110-119 M8/M10		
386438	MP-H 119-127 M8/M10		
386439	MP-H 127-137 M8/M10	3897	2,05
386440	MP-H 137-145 M8/M10		
386441	MP-H 145-155 M8/M10		
386442	MP-H 155-163 M8/M10		
386443	MP-H 163-172 M8/M10		

<sup>1)</sup> Sofern keine anderen nationalen Regelungen vorliegen

Rohrschellen Hilti Residential MP-HI und MP-H

Charakteristischer Widerstand bei Zugbeanspruchung bei Raumtemperatur

Anhang C3

**Tabelle C4: Nutzlast und Verformung bei Raumtemperatur für MP-H M8/M10 in Kombination mit Gewindestangen  $\geq$  M8 4,8**

Artikelnummer	Bezeichnung	Nutzlast F <sub>SLS</sub> [N]	Zugehörige Verformung [mm]
386424	MP-H 16-20 M8/M10	1322	1,50
386425	MP-H 20-25 M8/M10		
386426	MP-H 25-31 M8/M10		
386427	MP-H 31-38 M8/M10		
386428	MP-H 38-45 M8/M10		
386429	MP-H 45-52 M8/M10	1046	1,50
386430	MP-H 52-59 M8/M10		
386431	MP-H 59-66 M8/M10		
386432	MP-H 66-74 M8/M10		
386433	MP-H 74-83 M8/M10		
386434	MP-H 83-92 M8/M10	1653	1,66
386435	MP-H 92-101 M8/M10		
386436	MP-H 101-110 M8/M10		
386437	MP-H 110-119 M8/M10		
386438	MP-H 119-127 M8/M10		
386439	MP-H 127-137 M8/M10	2301	2,54
386440	MP-H 137-145 M8/M10		
386441	MP-H 145-155 M8/M10		
386442	MP-H 155-163 M8/M10		
386443	MP-H 163-172 M8/M10		

Rohrschellen Hilti Residential MP-HI und MP-H

Nutzlast und Verformung bei Raumtemperatur

Anhang C4

**Tabelle D1: Widerstand  $F_{Rk,t}$  der Rohrschellen Hilti Residential MP-HI 8-12 – MP-HI 31-38 und MP-H 16-20 – MP-H 38-45 unter Brandbeanspruchung nach  $t = 30, 60$  und  $90$  Minuten in Kombination mit Gewindestangen M10 Festigkeitsklasse  $\geq 4,8$**

Artikelnummer	Bezeichnung	Parameter der Regressionskurve	$F_{Rk,t}$ [N]		
		$F_{Rk}(t) = c_3 (c_1 + c_2 / t)$	$F_{Rk,30}$	$F_{Rk,60}$	$F_{Rk,90}$
386402	MP-HI 8-12 M8/M10	$c_1 = 77,4336$ $c_2 = 6637,3415$ $c_3 = 0,682256$ $20 \text{ min} \leq t \leq 101 \text{ min}$	203,8	128,3	103,1
386403	MP-HI 12-16 M8/M10				
386404	MP-HI 16-20 M8/M10				
386405	MP-HI 20-25 M8/M10				
386406	MP-HI 25-31 M8/M10				
386407	MP-HI 31-38 M8/M10				
386424	MP-H 16-20 M8/M10				
386425	MP-H 20-25 M8/M10				
386426	MP-H 25-31 M8/M10				
386427	MP-H 31-38 M8/M10				
386428	MP-H 38-45 M8/M10				

### Bezeichnung

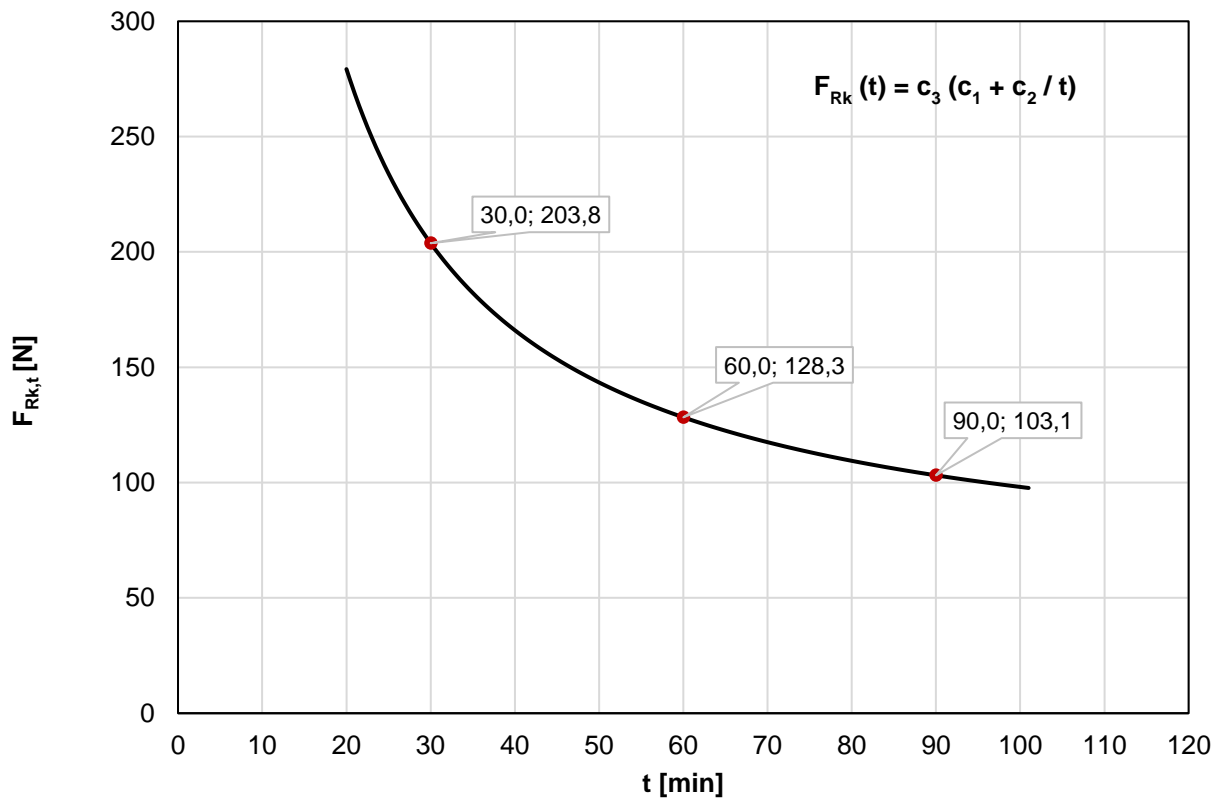
$F_{Rk,t}$  Widerstand nach einer Expositionsdauer  $t$  unter Brandbeanspruchung [N]  
 $F_{Rk}(t)$  Zeitabhängiger Widerstand bei Brandbeanspruchung [N]

Rohrschellen Hilti Residential MP-HI und MP-H

Widerstand unter Brandbeanspruchung für Rohrschellen Hilti Residential MP-HI 8-12 – MP-HI 31-38 und MP-H 16-20 – MP-H 38-45

Anhang D1

Abbildung D1: Regressionskurve gemäß Tabelle D1



Rohrschellen Hilti Residential MP-HI und MP-H

Widerstand unter Brandbeanspruchung für Rohrschellen Hilti Residential  
MP-HI 8-12 – MP-HI 31-38 und MP-H 16-20 – MP-H 38-45

Anhang D2

**Tabelle D2: Last-Verformungsfunktion und Verformungen der Rohrschellen Hilti Residential MP-HI 8-12 – MP-HI 31-38 und MP-H 16-20 – MP-H 38-45 in Kombination mit Gewindestangen M10 Festigkeitsklasse  $\geq 4,8$**

Artikelnummer	Bezeichnung	Parameter der Regression s-kurve	$F_{Rk,30}(\delta)$ [N]				$\delta_{max,t}$ [mm]	
			$F_{Rk,30}(\delta) = a_3 (a_1 + \delta^{a_2})$	$F_{Rk,30}(15)$	$F_{Rk,30}(20)$	$F_{Rk,30}(25)$	$F_{Rk,30}(30)$	$\delta_{max,60}$
386402	MP-HI 8-12 M8/M10	$a_1 = 5,8564$ $a_2 = 1,1408$ $a_3 = 0,7945$ $14 \text{ mm} \leq \delta \leq 35 \text{ mm}$	102,2	141,9	183,0	225,3	35,7	35,7
386403	MP-HI 12-16 M8/M10							
386404	MP-HI 16-20 M8/M10							
386405	MP-HI 20-25 M8/M10							
386406	MP-HI 25-31 M8/M10							
386407	MP-HI 31-38 M8/M10							
386424	MP-H 16-20 M8/M10							
386425	MP-H 20-25 M8/M10							
386426	MP-H 25-31 M8/M10							
386427	MP-H 31-38 M8/M10							
386428	MP-H 38-45 M8/M10							

### Bezeichnung

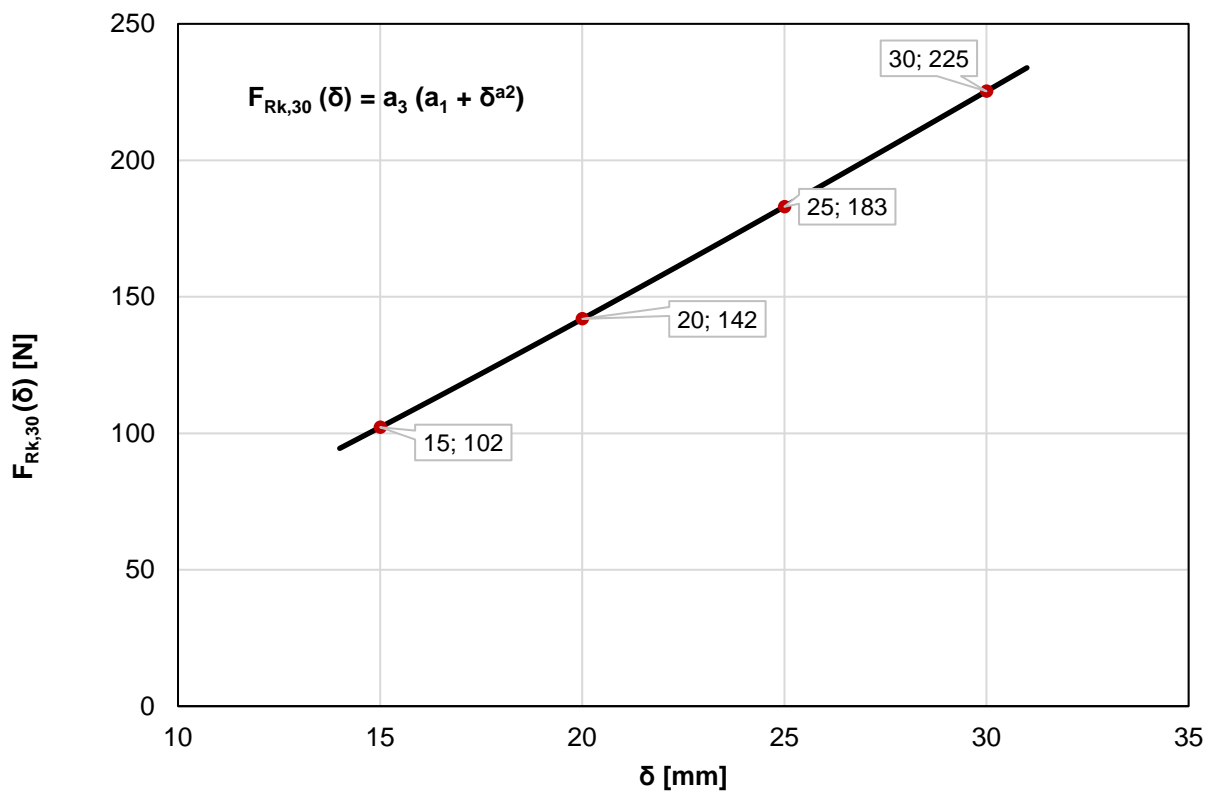
- $\delta$  Verformung  
 $\delta_{max,t}$  Maximale Verformung nach einer Expositionsdauer  $\leq t$  Minuten unter Brandbeanspruchung  
 $F_{Rk,30}(\delta)$  Lastabhängige Verformung nach einer Expositionsdauer  $t = 30$  Minuten unter Brandbeanspruchung

Rohrschellen Hilti Residential MP-HI und MP-H

Last-Verformungsfunktion unter Brandbeanspruchung für Rohrschellen Hilti Residential MP-HI 8-12 – MP-HI 31-38 und MP-H 16-20 – MP-H 38-45

Anhang D3

Abbildung D2: Regressionskurve gemäß Tabelle D2



Rohrschellen Hilti Residential MP-HI und MP-H

Last-Verformungsfunktions und Verformungen unter Brandbeanspruchung für Rohrschellen Hilti Residential MP-HI 8-12 – MP-HI 31-38 und MP-H 16-20 – MP-H 38-45

Anhang D4

**Tabelle D3: Widerstand  $F_{Rk,t}$  der Rohrschellen Hilti Residential MP-HI 38-45 – MP-HI 59-66 und MP-H 45-52 – MP-H 66-74 unter Brandbeanspruchung nach  $t = 30, 60$  und  $90$  Minuten in Kombination mit Gewindestangen M10 Festigkeitsklasse  $\geq 4,8$**

Artikelnummer	Bezeichnung	Parameter der Regressionskurve	$F_{Rk,t}$ [N]		
		$F_{Rk}(t) = c_3 (c_1 + c_2 / t)$	$F_{Rk,30}$	$F_{Rk,60}$	$F_{Rk,90}$
386408	MP-HI 38-45 M8/M10	$c_1 = 130,0056$ $c_2 = 6113,7981$ $c_3 = 0,782223$ $22 \text{ min} \leq t \leq 117 \text{ min}$	261,1	181,4	154,8
386409	MP-HI 45-52 M8/M10				
386410	MP-HI 52-59 M8/M10				
386411	MP-HI 59-66 M8/M10				
386429	MP-H 45-52 M8/M10				
386430	MP-H 52-59 M8/M10				
386431	MP-H 59-66 M8/M10				
386432	MP-H 66-74 M8/M10				

### Bezeichnung

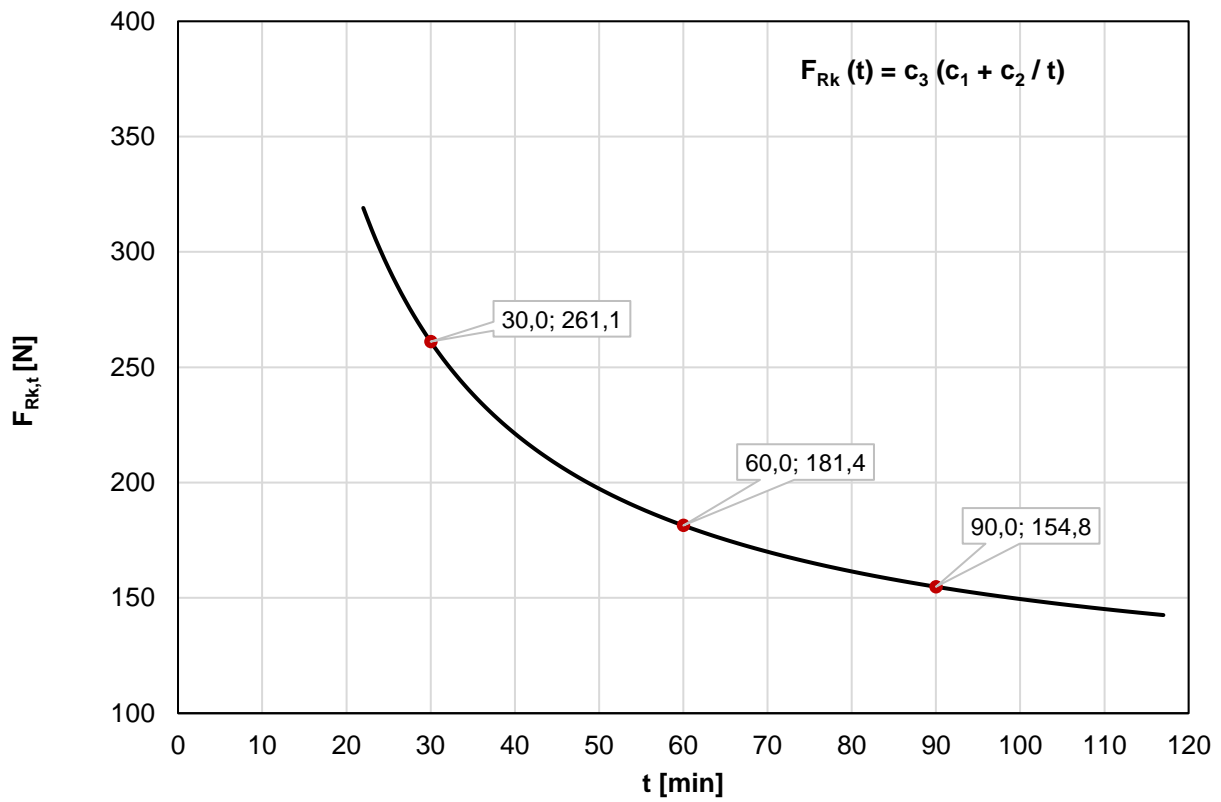
$F_{Rk,t}$  Widerstand nach einer Expositionsdauer  $t$  unter Brandbeanspruchung [N]  
 $F_{Rk}(t)$  Zeitabhängiger Widerstand bei Brandbeanspruchung [N]

Rohrschellen Hilti Residential MP-HI und MP-H

Widerstand unter Brandbeanspruchung für Rohrschellen Hilti Residential MP-HI 38-45 – MP-HI 59-66 und MP-H 45-52 – MP-H 66-74

Anhang D5

Abbildung D3: Regressionskurve gemäß Tabelle D3



Rohrschellen Hilti Residential MP-HI und MP-H

Widerstand unter Brandbeanspruchung für Rohrschellen Hilti Residential  
MP-HI 38-45 – MP-HI 59-66 und MP-H 45-52 – MP-H 66-74

Anhang D6



**Tabelle D4: Last-Verformungsfunktion und Verformungen der Rohrschellen Hilti Residential MP-HI 38-45 – MP-HI 59-66 und MP-H 45-52 – MP-H 66-74 unter Brandbeanspruchung in Kombination mit Gewindestangen M10 Festigkeitsklasse  $\geq 4,8$**

Artikelnummer	Bezeichnung	Parameter der Regression s-kurve	$F_{Rk,30}(\delta)$ [N]				$\delta_{max,t}$ [mm]	
			$F_{Rk,30}(\delta) = a_3 (a_1 + \delta^{a_2})$	$F_{Rk,30}(15)$	$F_{Rk,30}(20)$	$F_{Rk,30}(25)$	$F_{Rk,30}(30)$	$\delta_{max,60}$
386408	MP-HI 38-45 M8/M10	$a_1 = 9,8588$ $a_2 = 0,9714$ $a_3 = 0,7905$ $14 \text{ mm} \leq \delta \leq 42 \text{ mm}$	108,2	143,1	177,7	212,1	42,6	42,6
386409	MP-HI 45-52 M8/M10							
386410	MP-HI 52-59 M8/M10							
386411	MP-HI 59-66 M8/M10							
386429	MP-H 45-52 M8/M10							
386430	MP-H 52-59 M8/M10							
386431	MP-H 59-66 M8/M10							
386432	MP-H 66-74 M8/M10							

### Symbole und Bezeichnung

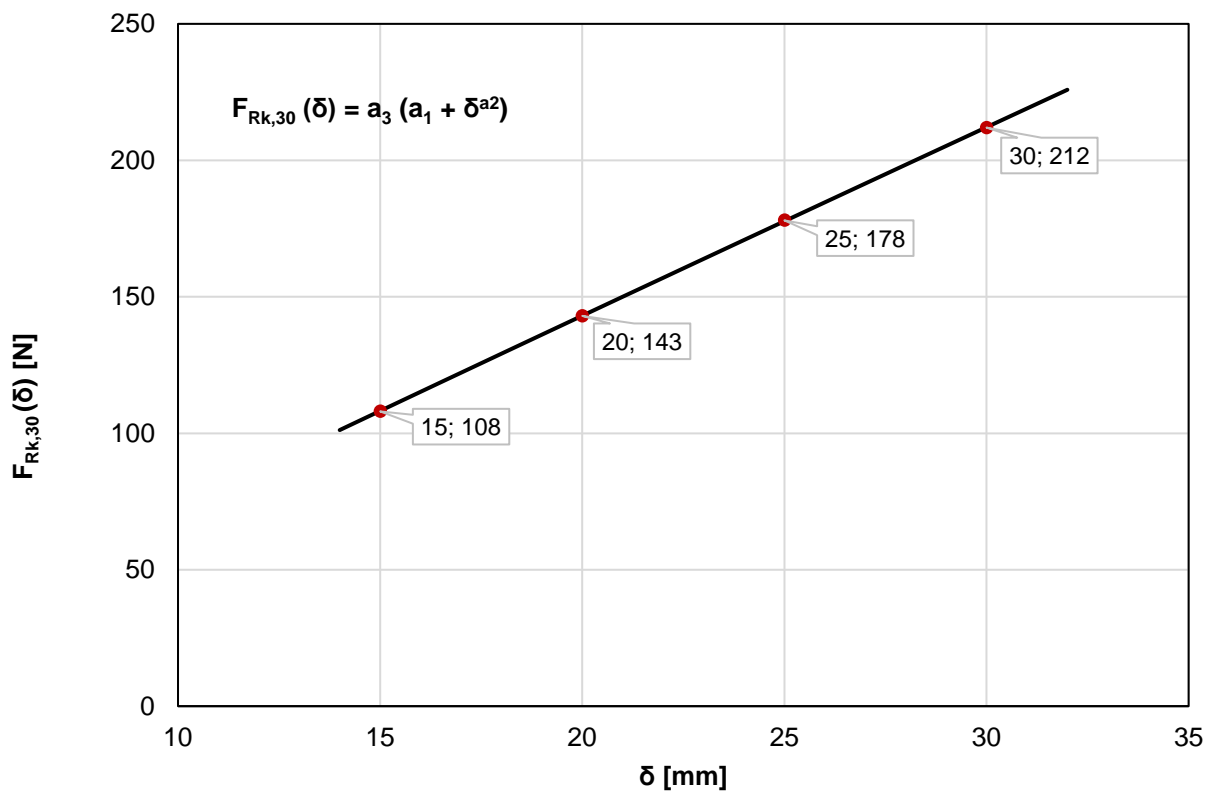
$\delta$	Verformung
$\delta_{max,t}$	Maximale Verformung nach einer Expositionsdauer $\leq t$ Minuten unter Brandbeanspruchung
$F_{Rk,30}(\delta)$	Lastabhängige Verformung nach einer Expositionsdauer $t = 30$ Minuten unter Brandbeanspruchung

Rohrschellen Hilti Residential MP-HI und MP-H

Last-Verformungsfunktion und Verformungen unter Brandbeanspruchung für Rohrschellen Hilti Residential  
MP-HI 38-45 – MP-HI 59-66 und MP-H 45-52 – MP-H 66-74

Anhang D7

Abbildung D4: Regressionskurve gemäß Tabelle D4



Rohrschellen Hilti Residential MP-HI und MP-H

Last-Verformungsfunktionen und Verformungen unter Brandbeanspruchung  
für Rohrschellen Hilti Residential  
MP-HI 38-45 – MP-HI 59-66 und MP-H 45-52 – MP-H 66-74

Anhang D8

**Tabelle D5: Widerstand  $F_{Rk,t}$  der Rohrschellen Hilti Residential MP-HI 66-75 – MP-HI 101-110 und MP-H 74-83 – MP-H 110-119 unter Brandbeanspruchung nach  $t = 30, 60$  und  $90$  Minuten in Kombination mit Gewindestangen M10 Festigkeitsklasse  $\geq 4,8$**

Artikelnummer	Bezeichnung	Parameter der Regressionskurve	$F_{Rk,t}$ [N]		
		$F_{Rk}(t) = c_3 (c_1 + c_2 / t)$	$F_{Rk,30}$	$F_{Rk,60}$	$F_{Rk,90}$
386412	MP-HI 66-75 M8/M10	$c_1 = 251,4309$ $c_2 = 8335,49206$ $c_3 = 0,836356$ $17 \text{ min} \leq t \leq 116 \text{ min}$	442,7	326,5	287,7
386413	MP-HI 75-84 M8/M10				
386414	MP-HI 84-93 M8/M10				
386415	MP-HI 93-101 M8/M10				
386416	MP-HI 101-110 M8/M10				
386433	MP-H 74-83 M8/M10				
386434	MP-H 83-92 M8/M10				
386435	MP-H 92-101 M8/M10				
386436	MP-H 101-110 M8/M10				
386437	MP-H 110-119 M8/M10				

**Bezeichnung**

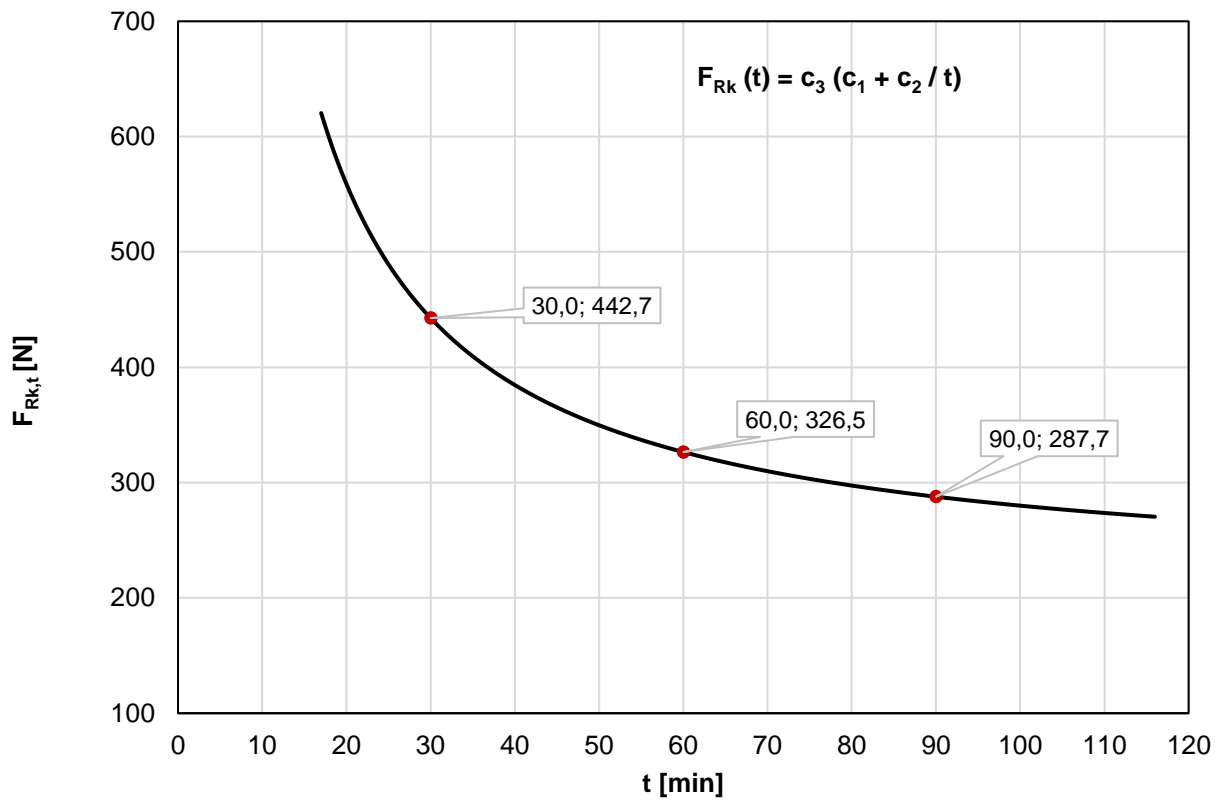
$F_{Rk,t}$  Widerstand nach einer Expositionsdauer  $t$  unter Brandbeanspruchung [N]  
 $F_{Rk}(t)$  Zeitabhängiger Widerstand bei Brandbeanspruchung [N]

Rohrschellen Hilti Residential MP-HI und MP-H

Widerstand unter Brandbeanspruchung für Rohrschellen Hilti Residential MP-HI 66-75 – MP-HI 101-110 und MP-H 74-83 – MP-H 110-119

Anhang D9

Abbildung D5: Regressionskurve gemäß Tabelle D5



Rohrschellen Hilti Residential MP-HI und MP-H

Widerstand unter Brandbeanspruchung für Rohrschellen Hilti Residential  
MP-HI 66-75 – MP-HI 101-110 und MP-H 74-83 – MP-H 110-119

Anhang D10

**Tabelle D6: Last-Verformungsfunktion und Verformungen der Rohrschellen Hilti Residential MP-HI 66-75 – MP-HI 101-110 und MP-H 74-83 – MP-H 110-119 unter Brandbeanspruchung in Kombination mit Gewindestangen M10 Festigkeitsklasse  $\geq 4,8$**

Artikelnummer	Bezeichnung	Parameter der Regressionskurve $F_{Rk,30}(\delta) = a_3(a_1 + \delta^{a_2})$	$F_{Rk,30}(\delta)$ [N]				$\delta_{max,t}$ [mm]	
			$F_{Rk,30}(25)$	$F_{Rk,30}(40)$	$F_{Rk,30}(60)$	$F_{Rk,30}(80)$	$\delta_{max,60}$	$\delta_{max,90}$
386412	MP-HI 66-75 M8/M10	$a_1 = 44,7483$ $a_2 = 0,5817$ $a_3 = 0,8386$ $25 \text{ mm} \leq \delta \leq 80 \text{ mm}$	224,0	320,8	406,1	480,1	80,1	80,1
386413	MP-HI 75-84 M8/M10							
386414	MP-HI 84-93 M8/M10							
386415	MP-HI 93-101 M8/M10							
386416	MP-HI 101-110 M8/M10							
386433	MP-H 74-83 M8/M10							
386434	MP-H 83-92 M8/M10							
386435	MP-H 92-101 M8/M10							
386436	MP-H 101-110 M8/M10							
386437	MP-H 110-119 M8/M10							

### Symbole und Bezeichnung

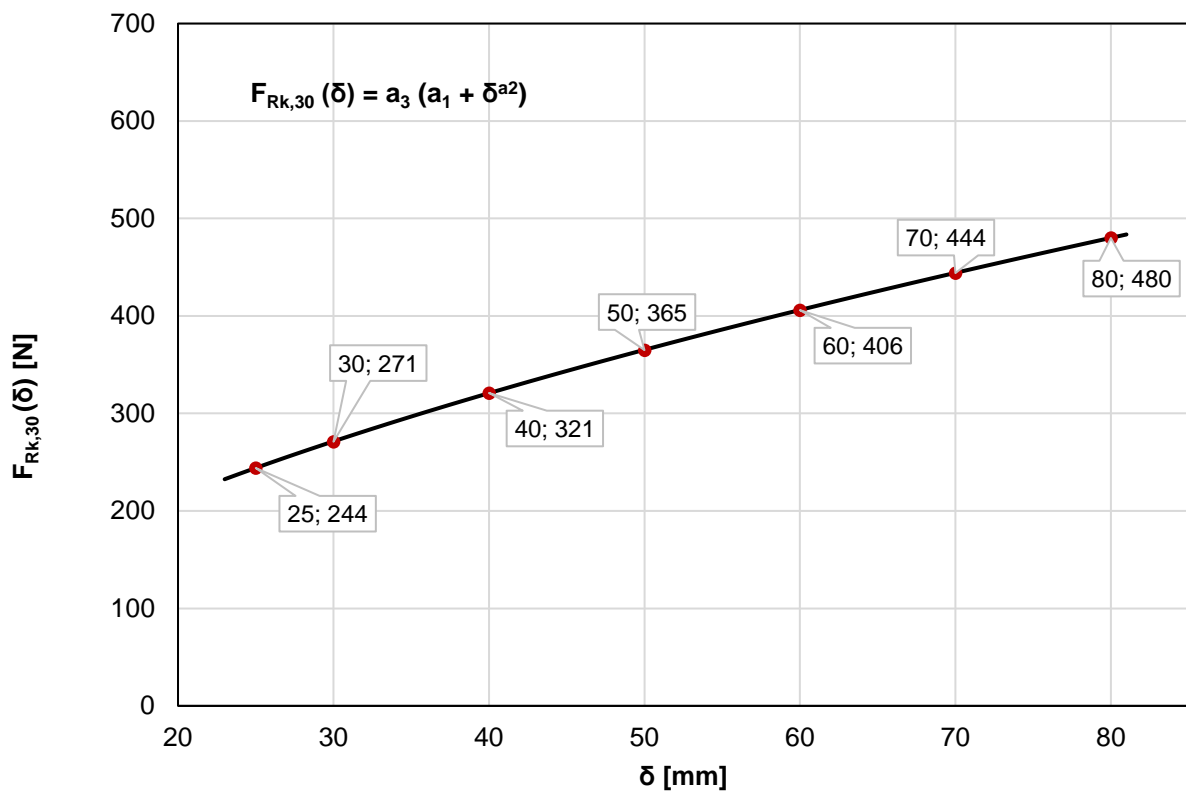
$\delta$	Verformung
$\delta_{max,t}$	Maximale Verformung nach einer Expositionsdauer $\leq t$ Minuten unter Brandbeanspruchung
$F_{Rk,30}(\delta)$	Lastabhängige Verformung nach einer Expositionsdauer $t = 30$ Minuten unter Brandbeanspruchung

Rohrschellen Hilti Residential MP-HI und MP-H

Last-Verformungsfunktion und Verformungen unter Brandbeanspruchung für Rohrschellen Hilti Residential MP-HI 66-75 – MP-HI 101-110 und MP-H 74-83 – MP-H 110-119

Anhang D11

Abbildung D6: Regressionskurve gemäß Tabelle D6



Rohrschellen Hilti Residential MP-HI und MP-H

Last-Verformungsfunktion und Verformungen unter Brandbeanspruchung für Rohrschellen Hilti Residential MP-HI 66-75 – MP-HI 101-110 und MP-H 74-83 – MP-H 110-119

Anhang D12

**Tabelle D7: Widerstand  $F_{Rk,t}$  der Rohrschellen Hilti Residential MP-HI 110-119 – MP-HI 163-172 und MP-H 119-127 – MP-H 163-172 unter Brandbeanspruchung nach  $t = 30, 60$  und  $90$  Minuten in Kombination mit Gewindestangen M10 Festigkeitsklasse  $\geq 4,8$**

Artikelnummer	Bezeichnung	Parameter der Regressionskurve	$F_{Rk,t}$ [N]		
		$F_{Rk}(t) = c_3 (c_1 + c_2 / t)$	$F_{Rk,30}$	$F_{Rk,60}$	$F_{Rk,90}$
386417	MP-HI 110-119 M8/M10	$c_1 = 273,9652$ $c_2 = 10491,7186$ $c_3 = 0,830129$ $27 \text{ min} \leq t \leq 107 \text{ min}$	517,7	372,6	324,2
386418	MP-HI 119-129 M8/M10				
386419	MP-HI 129-137 M8/M10				
386420	MP-HI 137-145 M8/M10				
386421	MP-HI 145-155 M8/M10				
386422	MP-HI 155-163 M8/M10				
386423	MP-HI 163-172 M8/M10				
386438	MP-H 119-127 M8/M10				
386439	MP-H 127-137 M8/M10				
386440	MP-H 137-145 M8/M10				
386441	MP-H 145-155 M8/M10				
386442	MP-H 155-163 M8/M10				
386443	MP-H 163-172 M8/M10				

### Bezeichnung

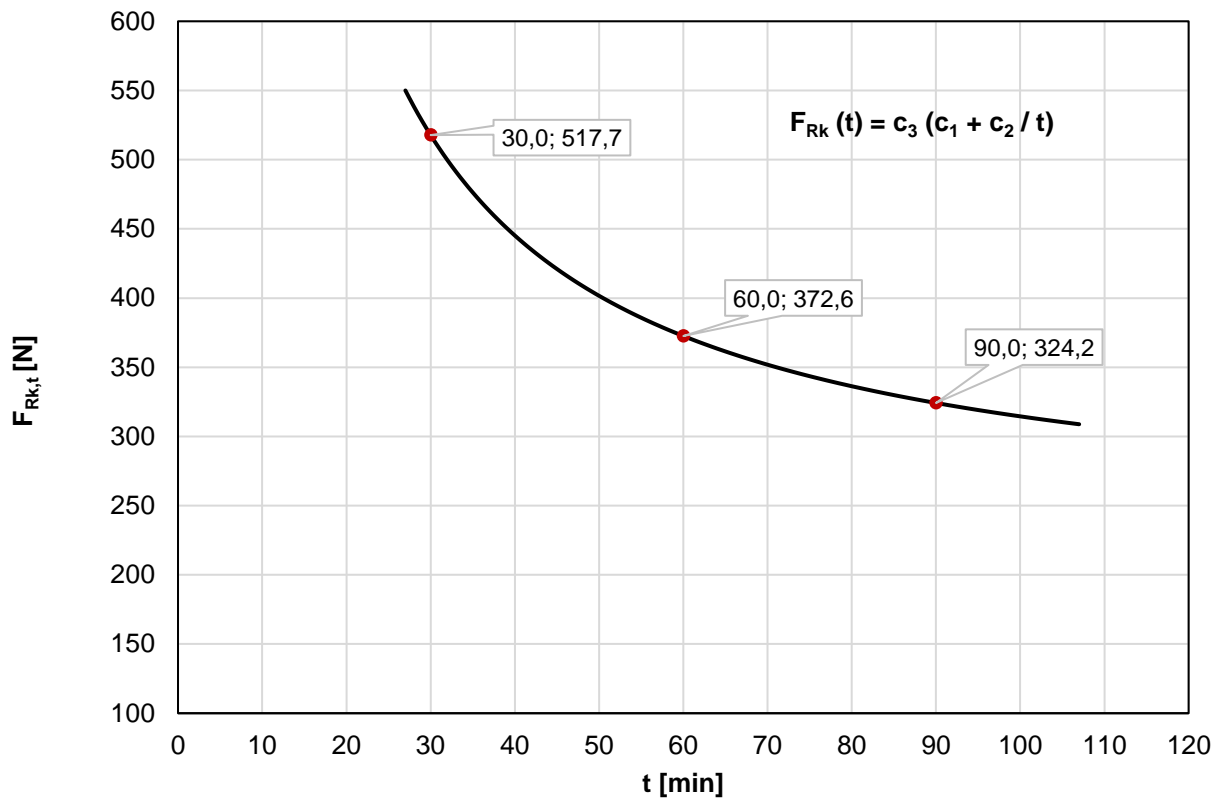
$F_{Rk,t}$  Widerstand nach einer Expositionsdauer  $t$  unter Brandbeanspruchung [N]  
 $F_{Rk}(t)$  Zeitabhängiger Widerstand bei Brandbeanspruchung [N]

Rohrschellen Hilti Residential MP-HI und MP-H

Widerstand unter Brandbeanspruchung für Rohrschellen Hilti Residential MP-HI 110-119 – MP-HI 163-172 und MP-H 119-127 – MP-H 163-172

Anhang D13

Abbildung D7: Regressionskurve gemäß Tabelle D7



Rohrschellen Hilti Residential MP-HI und MP-H

Widerstand unter Brandbeanspruchung für Rohrschellen Hilti Residential  
MP-HI 110-119 – MP-HI 163-172 und MP-H 119-127 – MP-H 163-172

Anhang D14



**Tabelle D8: Last-Verformungsfunktion und Verformungen der Rohrschellen Hilti Residential MP-HI 110-119 – MP-HI 163-172 und MP-H 119-127 – MP-H 163-172 unter Brandbeanspruchung in Kombination mit Gewindestangen M10 Festigkeitsklasse  $\geq 4,8$**

Artikelnummer	Bezeichnung	Parameter der Regressionskurve	$F_{Rk,30}(\delta)$ [N]				$\delta_{max,t}$ [mm]	
			$F_{Rk,30}(\delta) = a_3(a_1 + \delta a_2)$	$F_{Rk,30}(25)$	$F_{Rk,30}(40)$	$F_{Rk,30}(50)$	$F_{Rk,30}(55)$	$\delta_{max,60}$
386417	MP-HI 110-119 M8/M10	$a_1 = 49,3956$ $a_2 = 0,5912$ $a_3 = 0,766$ $23 \text{ mm} \leq \delta \leq 68 \text{ mm}$	253,7	335,0	382,2	404,4	68,1	68,1
386418	MP-HI 119-129 M8/M10							
386419	MP-HI 129-137 M8/M10							
386420	MP-HI 137-145 M8/M10							
386421	MP-HI 145-155 M8/M10							
386422	MP-HI 155-163 M8/M10							
386423	MP-HI 163-172 M8/M10							
386438	MP-H 119-127 M8/M10							
386439	MP-H 127-137 M8/M10							
386440	MP-H 137-145 M8/M10							
386441	MP-H 145-155 M8/M10							
386442	MP-H 155-163 M8/M10							
386443	MP-H 163-172 M8/M10							

### Bezeichnung

$\delta$  Verformung

$\delta_{max,t}$  Maximale Verformung nach einer Expositionsdauer  $\leq t$  Minuten unter Brandbeanspruchung

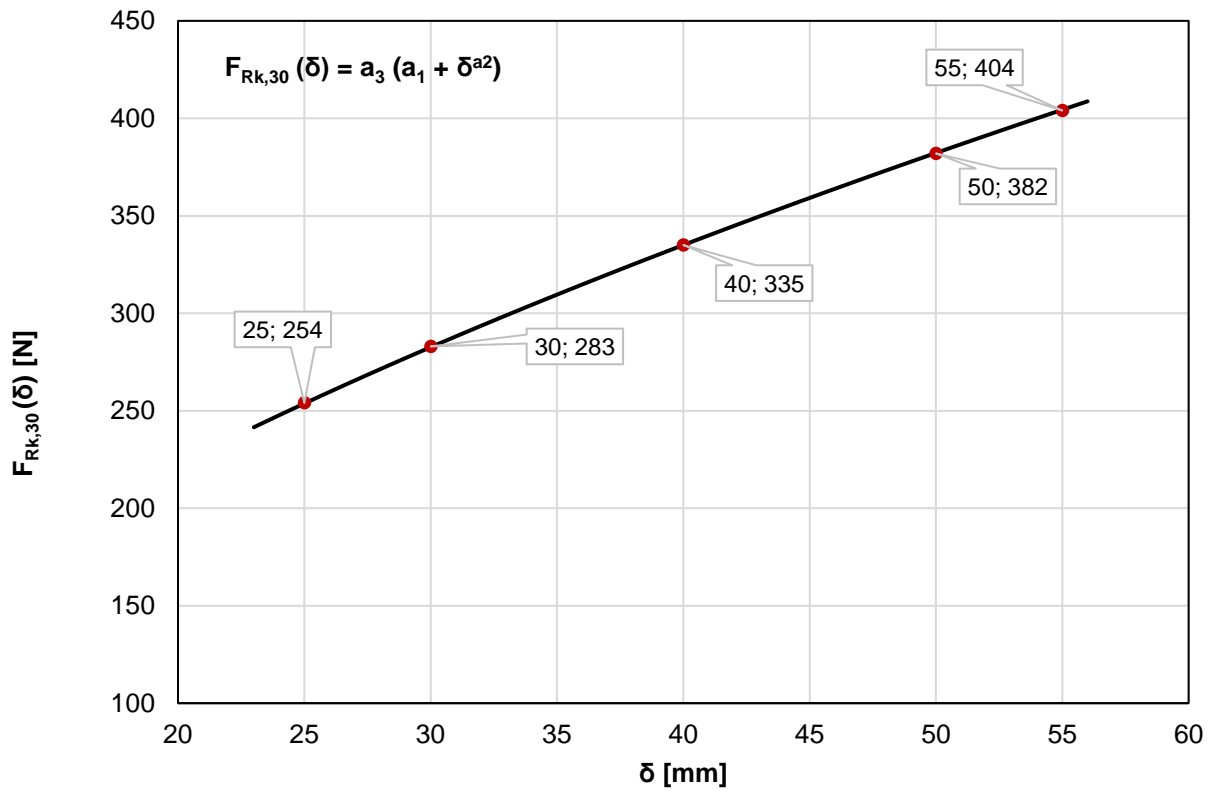
$F_{Rk,30}(\delta)$  Lastabhängige Verformung nach einer Expositionsdauer  $t = 30$  Minuten unter Brandbeanspruchung

Rohrschellen Hilti Residential MP-HI und MP-H

Last-Verformungsfunktion und Verformungen unter Brandbeanspruchung für Rohrschellen Hilti Residential MP-HI 110-119 – MP-HI 163-172 und MP-H 119-127 – MP-H 163-172

Anhang D15

Abbildung D8: Regressionskurve gemäß Tabelle D8

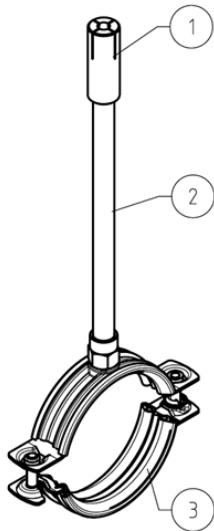


Rohrschellen Hilti Residential MP-HI und MP-H

Last-Verformungsfunktion und Verformungen unter Brandbeanspruchung für Rohrschellen Hilti Residential MP-HI 110-119 – MP-HI 163-172 und MP-H 119-127 – MP-H 163-172

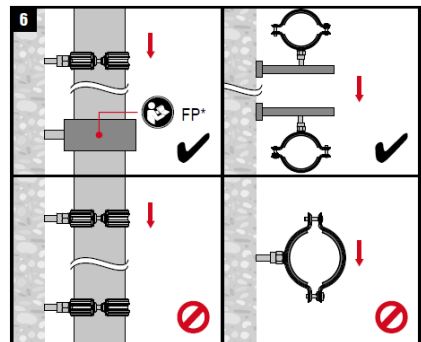
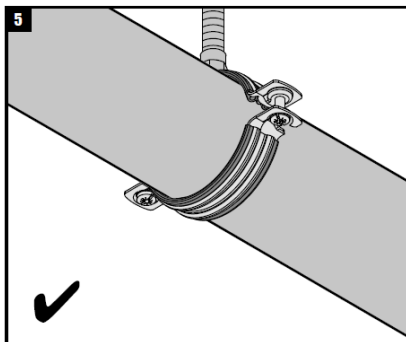
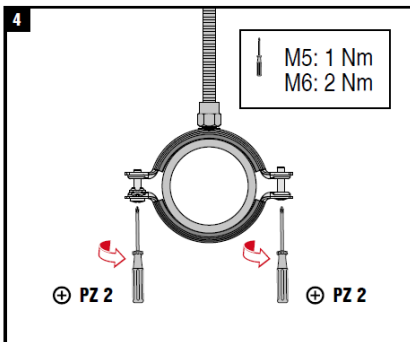
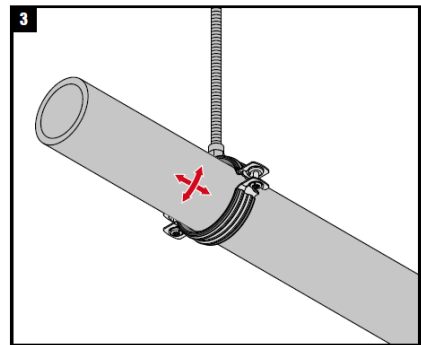
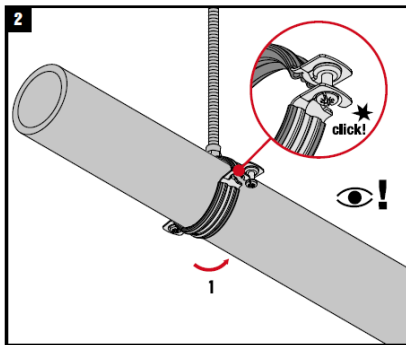
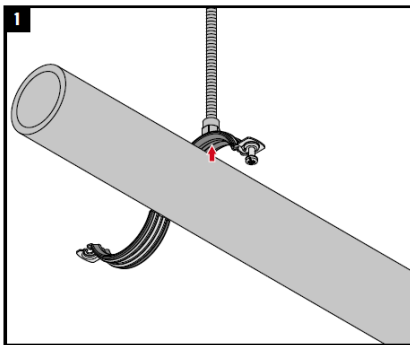
Anhang D16

Abbildung E1: Stückliste und Montageanweisungen



Bill of material					
Part of typical		Ref.	Opt.	Item No.	Description
Setup	Fixation	1	A	376967	HKD M10x40 drop-in anchor
		2	A*	339793	AM8x1000 4.8 threaded rod
				339794	AM8x2000 4.8 threaded rod
				216415	AM8x3000 4.8 threaded rod
		2	B**	339795	AM10x1000 4.8 threaded rod
				339796	AM10x2000 4.8 threaded rod
216418	AM10x3000 4.8 threaded rod				
Pipe clamp	M8/M10	3	A	386402	MP-HI M8/10
			B	386443	and MP-H M8/10

\* Only for use under ambient temperature  
 \*\* In case of fire



\*FP = Fixed Point / Fixpunkt

Rohrschellen Hilti Residential MP-HI und MP-H

Allgemeine Montageanweisungen

Anhang E1  
(zur Information)



## Evaluation Technique Européenne

## ETE-21/0803 du 28/01/2022

(Version originale en langue française)

### Partie Générale

Nom commercial:	Colliers de serrage Hilti Standards MP-HI et MP-H
Famille de produit:	Produits pour systèmes d'installation pour le supportage des équipements techniques du bâtiment
Fabricant:	Hilti AG Liechtenstein Feldkircherstraße 100 9494 Schaan FÜRSTENTUM LIECHTENSTEIN
Usine de fabrication:	L 1097347
Cette Evaluation Technique Européenne contient:	29 pages incluant 26 pages d'annexes qui font partie intégrante de cette évaluation
Cette Evaluation Technique Européenne est délivrée selon la Réglementation (EU) No 305/2011, sur la base de :	Document d'Evaluation Européen EAD 280016-00-0602 version August 2017
Cette version remplace:	-

*L'évaluation technique européenne est délivrée par l'organisme d'évaluation technique dans sa langue officielle. Les traductions de cette évaluation technique européenne dans d'autres langues doivent correspondre entièrement au document original délivré et doivent être identifiées comme telles. La communication de cette évaluation technique européenne, y compris la transmission par voie électronique, doit être complète. Une reproduction partielle ne peut être effectuée qu'avec le consentement écrit de l'organisme d'évaluation technique émetteur. Toute reproduction partielle doit être identifiée comme telle. Cette évaluation technique européenne peut être retirée par l'organisme d'évaluation technique qui l'a délivrée, en particulier sur information de la Commission conformément à l'article 25, paragraphe 3, du règlement (UE) no 305/2011.*

## Partie spécifique

### 1 Description technique du produit

L'objet de cette Evaluation Technique Européenne sont les colliers de serrage Hilti Standards MP-HI M8/10 et MP-H M8/10. Les colliers de serrage sont composés de deux bandes en acier profilées, conçues pour être capables d'encercler un tuyau. Les colliers de serrages sont reliés entre eux d'un côté par une vis en acier et de l'autre côté par un système de verrouillage par emboîtement. Les colliers de serrage enserrment la paroi extérieure du tuyau et sont maintenus en place par une vis de serrage. A chaque collier de serrage correspond une gamme de tuyaux avec lesquels ils peuvent être utilisés. La partie supérieure du collier de serrage est équipée de têtes soudées permettant une connexion de type M8/M10.

L'Annexe A décrit les dimensions et matériaux des colliers de serrage Hilti Standards MP-HI M8/10 et MP-HI M8/10. Les prérequis pour l'évaluation des performances sont donnés en Annexe B.

### 2 Définition du domaine d'emploi

Les performances données en Section 3 peuvent être envisagées si les colliers de serrage Hilti Standards MP-HI M8/10 et MP-H M8/10 sont utilisés en accord avec les spécifications et dans les conditions limites définies dans les Annexes A à D. Les essais et méthode d'évaluation sur lesquels cette Evaluation Technique Européenne mènent à considérer une durée de vie des colliers de serrage d'au moins 50 ans pour une utilisation dans des conditions intérieures et à température ambiante. Les indications données sur la durée de vie ne peuvent pas être interprétées comme une durée de vie garantie par le fabricant mais sont seulement données afin de permettre de choisir un produit adapté en relation avec une durée de vie économiquement raisonnable.

En accord avec le Document d'Evaluation Européen EAD 280016-00-0602, le produit peut être utilisé pour:

- a) installation comme support de kits de sprinklers;
- b) installation pour le supportage des équipements techniques du bâtiment-

### 3 Performance du produit et références aux méthodes utilisées pour son évaluation

#### 3.1 Sécurité en cas d'incendie (BWR 2)

Caractéristique essentielle	Performance
Réaction au feu:	Classe A1
Resistance et déformations des colliers de serrage Hilti Standards MP-HI M8/10 et MP-H M8/10 en cas d'incendie	voir Annexe D

#### 3.2 Sécurité et accessibilité en cours d'utilisation (BWR 4)

Caractéristiques essentielles	Performance
Dimensions et matériaux des colliers de serrage Hilti Standards MP-HI M8/10, et MP-H M8/10	voir Annexe A
Caractéristiques des colliers de serrage Hilti Standards MP-HI M8/10, et MP-H M8/10 à température ambiante	voir Annexe C

#### **4 Système d'évaluation et de vérification de la constance des performances (AVCP) appliqué, avec référence à sa base légale**

Conformément au Document d'Evaluation Européen EAD 280016-00-0602, les bases juridiques suivantes s'appliquent:

- En cas de domaine d'emploi a) prévu en Section 2:  
Décision de la commission N° 96/577/EC telle que modifiée par la Décision 2002/592/EC.  
de la Commission:  
Le système 1 s'applique pour l'évaluation et la vérification de la constance des performances (AVCP).
- En cas de domaine d'emploi a) prévu en Section 2:  
Décision de la commission N° 97/161/EC:  
Le système 2+ s'applique pour l'évaluation et la vérification de la constance des performances (AVCP).
- En cas de domaine d'emploi b) prévu en Section 2:  
Décision de la commission N° 1999/472/EC telle que modifiée par la Décision 2001/596/EC.  
de la Commission:  
System 3 s'applique pour l'évaluation et la vérification de la constance des performances (AVCP).

#### **5 Détails techniques nécessaires à la mise en place du système AVCP, tes que proposés dans l'EAD applicable**

Les détails techniques nécessaires à la mise en œuvre du système d'évaluation et de vérification de la constance des performances sont précisés dans le plan de contrôle (partie confidentielle de cet Avis Technique Européen) déposé au Centre Scientifique et Technique du Bâtiment.

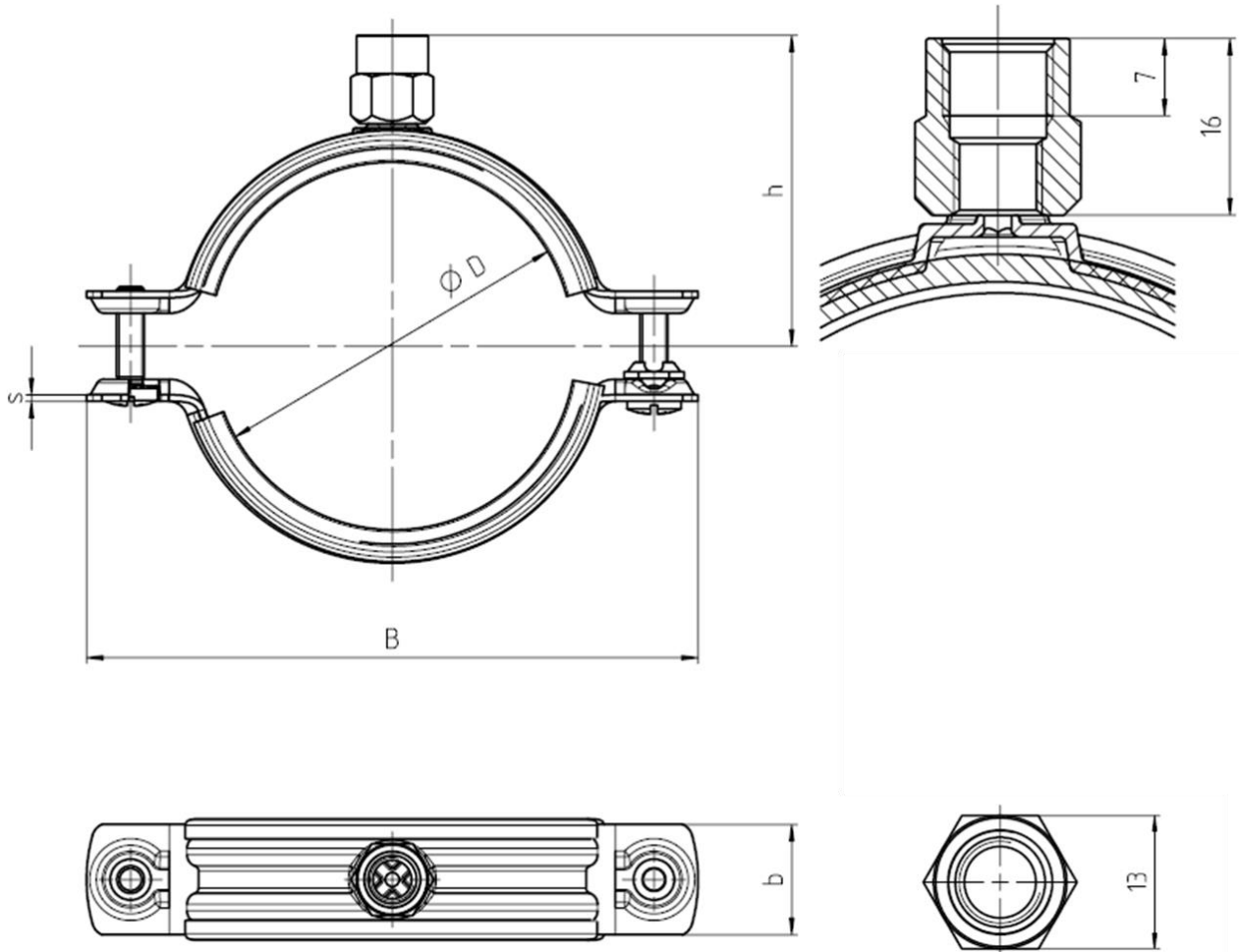
Le fabricant doit, sur la base d'un contrat, impliquer un organisme notifié agréé dans le domaine des canaux d'ancrage pour la délivrance du certificat de conformité CE basé sur le plan de contrôle.

#### **Version originale française**

Délivrée à Marne La Vallée le 28/01/2022 par

La cheffe de division, Anca CRONOPOL

Figure A1: Géométrie et dimensions des colliers de serrage Hilti Standards MP-HI M8/M10



Dimensions en mm

Tableau A1: Matériaux des colliers de serrage Hilti Standards MP-HI M8/M10

Composants du collier	Matériaux
Cerclage	DC01 selon l'EN 10130
Tête de connexion	Propriétés de classe 6 selon l'EN ISO 898-2
Vis de serrage M5, M6, M8	Classe de résistance $\geq 4,6$ selon l'EN ISO 898-1
Couche de caoutchouc	MP-HI 8-12: caoutchouc selon l'ISO 3302-1 MP-HI 12-16 à MP-HI 163-172: EPDM
Rondelle	PE

Colliers de serrage Hilti Standards MP-HI et MP-H

Description du produit  
Dimensions et matériaux

Annexe A1

Tableau A2: Dimensions et couples de serrage de colliers de serrage MP-HI M8/M10

Numéro de l'élément	Désignation	D [mm]	B [mm]	b x s [mm]	h [mm]	Couple de serrage [Nm]	Taille de la vis
386402	MP-HI 8-12 M8/M10	21,0	54,0	20 x 1,2	26,0	1	M5
386403	MP-HI 12-16 M8/M10	21,0	54,0	20 x 1,2	26,0	1	M5
386404	MP-HI 16-20 M8/M10	25,0	58,5	20 x 1,2	28,1	1	M5
386405	MP-HI 20-25 M8/M10	30,0	63,2	20 x 1,2	30,4	1	M5
386406	MP-HI 25-31 M8/M10	36,6	72,0	20 x 1,2	33,3	1	M5
386407	MP-HI 31-38 M8/M10	44,6	78,3	20 x 1,2	36,3	1	M5
386408	MP-HI 38-45 M8/M10	51,4	88,5	20 x 1,2	39,7	1	M5
386409	MP-HI 45-52 M8/M10	59,0	96,2	20 x 1,2	43,3	1	M5
386410	MP-HI 52-59 M8/M10	66,0	103,6	20 x 1,2	46,7	1	M5
386411	MP-HI 59-66 M8/M10	74,0	112,5	20 x 1,2	50,3	1	M5
386412	MP-HI 66-75 M8/M10	83,0	130,0	25 x 1,8	55,8	2	M6
386413	MP-HI 75-84 M8/M10	92,6	140,0	25 x 1,8	60,1	2	M6
386414	MP-HI 84-93 M8/M10	102,0	148,5	25 x 1,8	64,5	2	M6
386415	MP-HI 93-101 M8/M10	111,2	159,7	25 x 1,8	69,0	2	M6
386416	MP-HI 101-110 M8/M10	121,0	169,3	25 x 1,8	72,8	2	M6
386417	MP-HI 110-119 M8/M10	128,6	178,7	25 x 2,3	78,3	2	M6
386418	MP-HI 119-129 M8/M10	140,0	190,0	25 x 2,3	83,0	2	M6
386419	MP-HI 129-137 M8/M10	150,8	199,5	25 x 2,3	87,7	2	M6
386420	MP-HI 137-145 M8/M10	159,4	210,3	25 x 2,3	91,5	2	M6
386421	MP-HI 145-155 M8/M10	169,0	222,7	25 x 2,3	95,0	2	M6
386422	MP-HI 155-163 M8/M10	178,0	232,0	25 x 2,3	99,7	2	M6
386423	MP-HI 163-172 M8/M10	186,0	241,5	25 x 2,3	103,5	2	M6

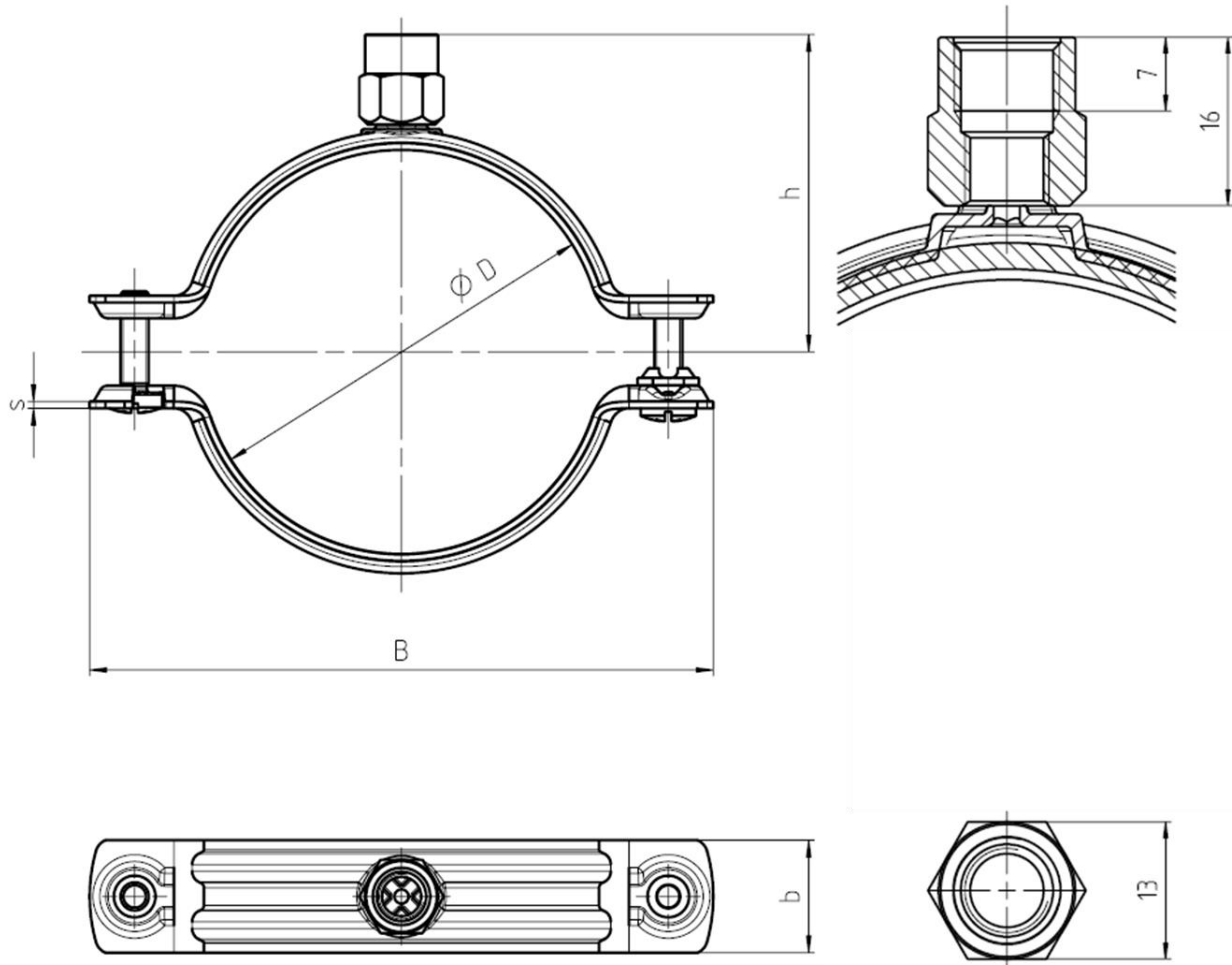
Colliers de serrage Hilti Standards MP-HI et MP-H

Description du produit  
Dimensions

Annexe A2



Figure A2: Géométrie et dimensions des colliers de serrage Hilti Standards MP-H M8/10



Dimensions en mm

Tableau A3: Matériaux des colliers de serrage Hilti Standards MP-H M8/10

Composants du collier	Matériaux
Cerclage	DC01 selon l'EN 10130
Tête de connexion	Propriétés de classe 6 selon l'EN ISO 898-2
Vis de serrage M5, M6, M8	Classe de résistance $\geq 4,6$ selon l'EN ISO 898-1
Rondelle	PE

Colliers de serrage Hilti Standards MP-HI et MP-H

Description du produit  
Dimensions et matériaux

Annexe A3

Tableau A4: Dimensions et couples de serrage de colliers de serrage MP-HI M8/M10/O16

Numéro de l'élément	Désignation	D [mm]	B [mm]	b x s [mm]	h [mm]	Couple de serrage [Nm]	Taille de la vis
386424	MP-H 16-20 M8/M10	21,0	54,0	20 x 1,2	28,1	1	M5
386425	MP-H 20-25 M8/M10	25,0	58,5	20 x 1,2	30,4	1	M5
386426	MP-H 25-31 M8/M10	30,0	63,2	20 x 1,2	33,3	1	M5
386427	MP-H 31-38 M8/M10	36,6	72,0	20 x 1,2	36,3	1	M5
386428	MP-H 38-45 M8/M10	44,6	78,3	20 x 1,2	39,7	1	M5
386429	MP-H 45-52 M8/M10	51,4	88,5	20 x 1,2	43,3	1	M5
386430	MP-H 52-59 M8/M10	59,0	96,2	20 x 1,2	46,7	1	M5
386431	MP-H 59-66 M8/M10	66,0	103,6	20 x 1,2	50,3	1	M5
386432	MP-H 66-74 M8/M10	74,0	112,5	20 x 1,2	55,8	1	M5
386433	MP-H 74-83 M8/M10	83,0	130,0	25 x 1,8	60,1	2	M6
386434	MP-H 83-92 M8/M10	92,6	140,0	25 x 1,8	64,5	2	M6
386435	MP-H 92-101 M8/M10	102,0	148,5	25 x 1,8	69,0	2	M6
386436	MP-H 101-110 M8/M10	111,2	159,7	25 x 1,8	72,8	2	M6
386437	MP-H 110-119 M8/M10	121,0	169,3	25 x 1,8	78,3	2	M6
386438	MP-H 119-127 M8/M10	128,6	178,7	25 x 2,3	83,0	2	M6
386439	MP-H 127-137 M8/M10	140,0	190,0	25 x 2,3	87,7	2	M6
386440	MP-H 137-145 M8/M10	149,0	199,5	25 x 2,3	91,5	2	M6
386441	MP-H 145-155 M8/M10	159,4	210,3	25 x 2,3	95,0	2	M6
386442	MP-H 155-163 M8/M10	169,0	222,7	25 x 2,3	99,7	2	M6
386443	MP-H 163-172 M8/M10	178,0	232,0	25 x 2,3	103,5	2	M6

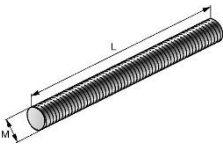
Colliers de serrage Hilti Standards MP-HI et MP-H

Description du produit  
Dimensions


Annexe A4

- Les colliers de serrage Hilti Standards MP-HI M8/10 et MP-H M8/10 sont utilisés pour transférer les charges des équipements de services du bâtiment tels que des équipements pour les sprinklers, l'eau, le chauffage, le refroidissement, la ventilation, l'électricité et d'autres installations. Les colliers de serrage sont adaptés à l'exécution de cette fonction porteuse dans les conditions décrites à la section 2 de la présente Evaluation Technique Européenne.
- La résistance et la déformation en cas d'incendie se réfèrent aux conditions aux limites de la courbe température-temps standard (STTC) selon l'EN 1363-1
- Les données de performance des colliers de serrage sont associées aux tiges filetées à température ambiante sont données dans les tableaux B1 et B2.
- Les données de performance des colliers de serrage sont associées aux tiges filetées en situation d'incendie ambiante sont données dans le tableau B2.
- Les colliers de serrage doivent être installés par du personnel dûment qualifié et sous la supervision du chef de chantier. Les instructions générales d'installation du fabricant s'appliquent.
- La résistance et la déformation aux températures ambiantes et en cas d'incendie s'appliquent aux actions statiques et centrées.
- La vis des colliers de serrage doit être serrée de manière systématique avec un couple de 1 à 2 Nm selon les instructions du mode d'emploi.
- Avant l'installation, il faut s'assurer que le tuyau à insérer, l'ancrage des tiges filetées dans le matériau de base et le matériau de base lui-même sont aptes à résister aux valeurs de résistance des colliers de serrage et qu'ils ont un certificat d'ignifugation .

**Tableau B1: Tiges filetées pouvant être utilisées avec les colliers de serrage Hilti Standards MP-HI M8/10, MP-H M8/10 à température ambiante**

Illustration	Numéro de l'élément	Référence	Filetage	L [mm]	Matériau
	339793	AM8x1000 4.8	M8	1000	Classe de résistance 4.8 Selon la DIN 976-1, protection par zingage
	339794	AM8x2000 4.8	M8	2000	
	216415	AM8x3000 4.8	M8	3000	

**Tableau B2: Tiges filetées pouvant être utilisées avec les colliers de serrage Hilti Standards MP-HI M8/10, MP-H M8/10 à température ambiante et en cas d'incendie**

Illustration	Item number	Designation	Thread	L [mm]	Material
	339795	AM10x1000 4.8	M10	1000	Classe de résistance 4.8 Selon la DIN 976-1, protection par zingage
	339796	AM10x2000 4.8	M10	2000	
	216418	AM10x3000 4.8	M10	3000	

Colliers de serrage Hilti Standards MP-HI et MP-H

Prérequis pour l'évaluation des performances

Annexe B1

**Tableau C1: Résistance caractéristique à la traction à température ambiante pour le MP-HI M8/10 en combinaison avec des tiges filetées  $\geq$  M8 4.8**

Numéro de produit	Référence	Résistance caractéristique à la traction $F_{Rk}$ [N]	Coefficient partiel de sécurité <sup>1)</sup> $\gamma_m$ [-]
386402	MP-HI 8-12 M8/M10	1643	1,30
386403	MP-HI 12-16 M8/M10		
386404	MP-HI 16-20 M8/M10		
386405	MP-HI 20-25 M8/M10		
386406	MP-HI 25-31 M8/M10		
386407	MP-HI 31-38 M8/M10		
386408	MP-HI 38-45 M8/M10	1684	1,30
386409	MP-HI 45-52 M8/M10		
386410	MP-HI 52-59 M8/M10		
386411	MP-HI 59-66 M8/M10		
386412	MP-HI 66-75 M8/M10	2731	1,69
386413	MP-HI 75-84 M8/M10		
386414	MP-HI 84-93 M8/M10		
386415	MP-HI 93-101 M8/M10		
386416	MP-HI 101-110 M8/M10	3494	2,15
386417	MP-HI 110-119 M8/M10		
386418	MP-HI 119-129 M8/M10		
386419	MP-HI 129-137 M8/M10		
386420	MP-HI 137-145 M8/M10		
386421	MP-HI 145-155 M8/M10		
386422	MP-HI 155-163 M8/M10		
386423	MP-HI 163-172 M8/M10		

1) Considérant qu'aucune autre réglementation nationale ne s'applique

**Colliers de serrage Hilti Standards MP-HI et MP-H**

**Résistance caractéristique à la traction à température ambiante**

**Annexe C1**

**Tableau C2: Charge de service et déformation à température ambiante pour le MP-HI M8/10 en combinaison avec des tiges filetées  $\geq$  M8 4.8**

Numéro de produit	Référence	Charge de service $F_{SLs}$ [N]	Déformation correspondante [mm]
386402	MP-HI 8-12 M8/M10	1106	1,50
386403	MP-HI 12-16 M8/M10		
386404	MP-HI 16-20 M8/M10		
386405	MP-HI 20-25 M8/M10		
386406	MP-HI 25-31 M8/M10		
386407	MP-HI 31-38 M8/M10		
386408	MP-HI 38-45 M8/M10	933	1,50
386409	MP-HI 45-52 M8/M10		
386410	MP-HI 52-59 M8/M10		
386411	MP-HI 59-66 M8/M10		
386412	MP-HI 66-75 M8/M10	1425	1,50
386413	MP-HI 75-84 M8/M10		
386414	MP-HI 84-93 M8/M10		
386415	MP-HI 93-101 M8/M10		
386416	MP-HI 101-110 M8/M10		
386417	MP-HI 110-119 M8/M10	1776	2,38
386418	MP-HI 119-129 M8/M10		
386419	MP-HI 129-137 M8/M10		
386420	MP-HI 137-145 M8/M10		
386421	MP-HI 145-155 M8/M10		
386422	MP-HI 155-163 M8/M10		
386423	MP-HI 163-172 M8/M10		

**Colliers de serrage Hilti Standards MP-HI et MP-H**

**Charge de service et déformation à température ambiante**

**Annexe C2**

**Tableau C3: Résistance caractéristique à la traction à température ambiante pour le MP-H M8/M10 en combinaison avec des tiges filetées ≥ M8 4.8**

Numéro de produit	Référence	Résistance caractéristique à la traction $F_{Rk}$ [N]	Coefficient partiel de sécurité <sup>1)</sup> $\gamma_m$ [-]
386424	MP-H 16-20 M8/M10	1499	3,33
386425	MP-H 20-25 M8/M10		
386426	MP-H 25-31 M8/M10		
386427	MP-H 31-38 M8/M10		
386428	MP-H 38-45 M8/M10		
386429	MP-H 45-52 M8/M10	1655	1,65
386430	MP-H 52-59 M8/M10		
386431	MP-H 59-66 M8/M10		
386432	MP-H 66-74 M8/M10		
386433	MP-H 74-83 M8/M10		
386434	MP-H 83-92 M8/M10	2411	1,71
386435	MP-H 92-101 M8/M10		
386436	MP-H 101-110 M8/M10		
386437	MP-H 110-119 M8/M10		
386438	MP-H 119-127 M8/M10		
386439	MP-H 127-137 M8/M10	3897	2,05
386440	MP-H 137-145 M8/M10		
386441	MP-H 145-155 M8/M10		
386442	MP-H 155-163 M8/M10		
386443	MP-H 163-172 M8/M10		

<sup>1)</sup> Considérant qu'aucune autre réglementation nationale ne s'applique

**Colliers de serrage Hilti Standards MP-HI et MP-H**

**Résistance caractéristique à la traction à température ambiante**

**Annexe C3**

**Tableau C4: Charge de service et déformation à température ambiante pour le MP-H M8/10 en combinaison avec des tiges filetées  $\geq$  M8 4.8**

Numéro de produit	Référence	Charge de service $F_{SLS}$ [N]	Déformation correspondante [mm]
386424	MP-H 16-20 M8/M10	1322	1,50
386425	MP-H 20-25 M8/M10		
386426	MP-H 25-31 M8/M10		
386427	MP-H 31-38 M8/M10		
386428	MP-H 38-45 M8/M10		
386429	MP-H 45-52 M8/M10	1046	1,50
386430	MP-H 52-59 M8/M10		
386431	MP-H 59-66 M8/M10		
386432	MP-H 66-74 M8/M10		
386433	MP-H 74-83 M8/M10	1653	1,66
386434	MP-H 83-92 M8/M10		
386435	MP-H 92-101 M8/M10		
386436	MP-H 101-110 M8/M10		
386437	MP-H 110-119 M8/M10		
386438	MP-H 119-127 M8/M10		
386439	MP-H 127-137 M8/M10	2301	2,54
386440	MP-H 137-145 M8/M10		
386441	MP-H 145-155 M8/M10		
386442	MP-H 155-163 M8/M10		
386443	MP-H 163-172 M8/M10		

**Colliers de serrage Hilti Standards MP-HI et MP-H**

**Charge de service et déformation à température ambiante**

**Annexe C4**

**Tableau D1: Resistance  $F_{Rk,t}$  des colliers de serrage Hilti Standards MP-HI 8-12 – MP-HI 31-38 et MP-H 16-20 – MP-H 38-45 en cas d’incendie après t = 30, 60 et 90 minutes en combinaison avec des tiges filetées  $\geq$  M8 4.8**

Numéro de produit	Référence	Paramètres de la courbe de régression	$F_{Rk,t}$ [N]		
		$F_{Rk}(t) = c_3 (c_1 + c_2 / t)$	$F_{Rk,30}$	$F_{Rk,60}$	$F_{Rk,90}$
386402	MP-HI 8-12 M8/M10	$c_1 = 77,4336$ $c_2 = 6637,3415$ $c_3 = 0,682256$ $20 \text{ min} \leq t \leq 101 \text{ min}$	203,8	128,3	103,1
386403	MP-HI 12-16 M8/M10				
386404	MP-HI 16-20 M8/M10				
386405	MP-HI 20-25 M8/M10				
386406	MP-HI 25-31 M8/M10				
386407	MP-HI 31-38 M8/M10				
386424	MP-H 16-20 M8/M10				
386425	MP-H 20-25 M8/M10				
386426	MP-H 25-31 M8/M10				
386427	MP-H 31-38 M8/M10				
386428	MP-H 38-45 M8/M10				

**Désignation**

$F_{Rk,t}$             Résistance après une durée d’exposition t en cas d’incendie [N]  
 $F_{Rk}(t)$            Résistance en fonction du temps en cas d’incendie [N]

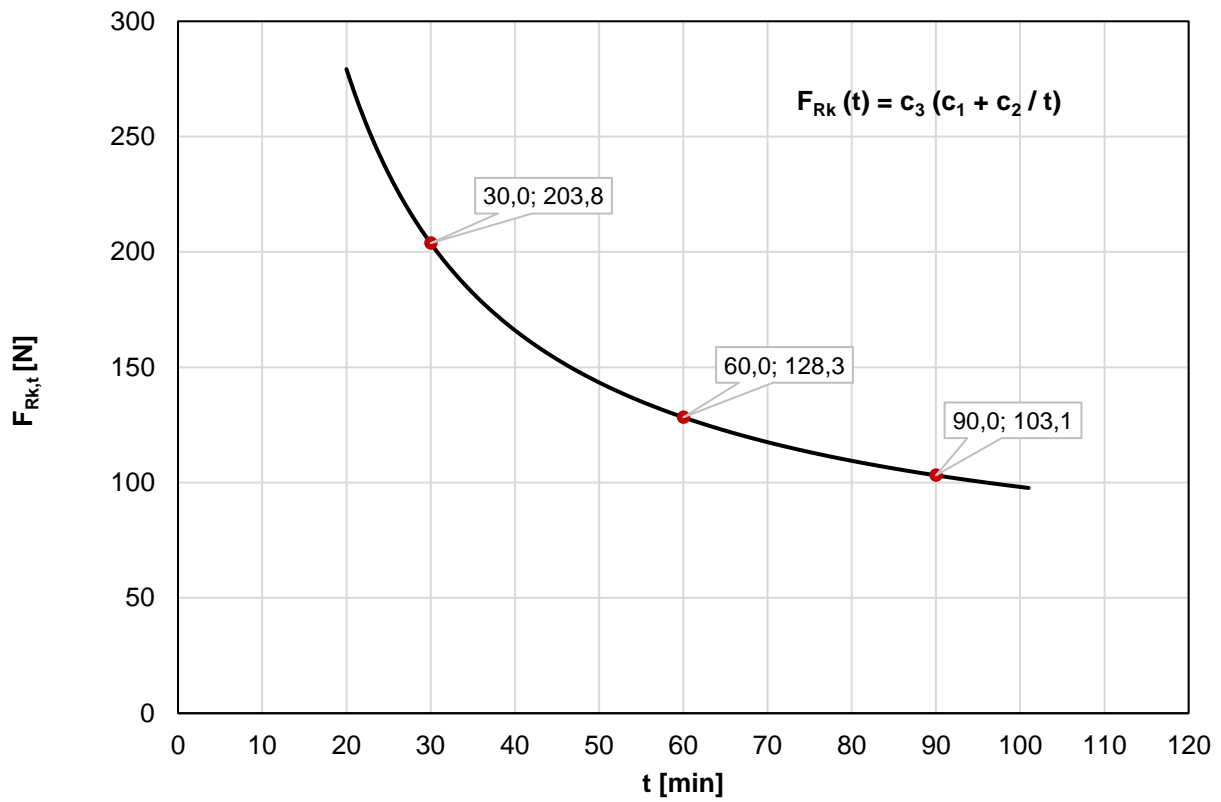
**Colliers de serrage Hilti Standards MP-HI et MP-H**

**Résistance en cas d’incendie pour les colliers de serrage résidentiels Hilti MP-HI 8-12 – MP-HI 31-38 et MP-H 16-20 – MP-H 38-45**

**Annexe D1**



Figure D1: Courbe de régression selon le Tableau D1



Colliers de serrage Hilti Standards MP-HI et MP-H

Résistance en cas d'incendie pour les colliers de serrage Hilti Standards  
MP-HI 8-12 – MP-HI 31-38 et MP-H 16-20 – MP-H 38-45

Annexe D2

**Tableau D2: Résistance  $F_{Rk,t}$  des colliers de serrage Hilti Standards MP-HI 8-12 – MP-HI 31-38 et MP-H 16-20 – MP-H 38-45 en combinaison avec des tiges filetées  $\geq$  M8 4.8**

Numéro de produit	Référence	Paramètres de la courbe de régression	$F_{Rk,30}(\delta)$ [N]				$\delta_{max,t}$ [mm]	
			$F_{Rk,30}(15)$	$F_{Rk,30}(20)$	$F_{Rk,30}(25)$	$F_{Rk,30}(30)$	$\delta_{max,60}$	$\delta_{max,90}$
386402	MP-HI 8-12 M8/M10	$F_{Rk,30}(\delta) = a_3(a_1 + \delta^{a_2})$ $a_1 = 5,8564$ $a_2 = 1,1408$ $a_3 = 0,7945$ $14 \text{ mm} \leq \delta \leq 35 \text{ mm}$	102,2	141,9	183,0	225,3	35,7	35,7
386403	MP-HI 12-16 M8/M10							
386404	MP-HI 16-20 M8/M10							
386405	MP-HI 20-25 M8/M10							
386406	MP-HI 25-31 M8/M10							
386407	MP-HI 31-38 M8/M10							
386424	MP-H 16-20 M8/M10							
386425	MP-H 20-25 M8/M10							
386426	MP-H 25-31 M8/M10							
386427	MP-H 31-38 M8/M10							
386428	MP-H 38-45 M8/M10							

**Désignation**

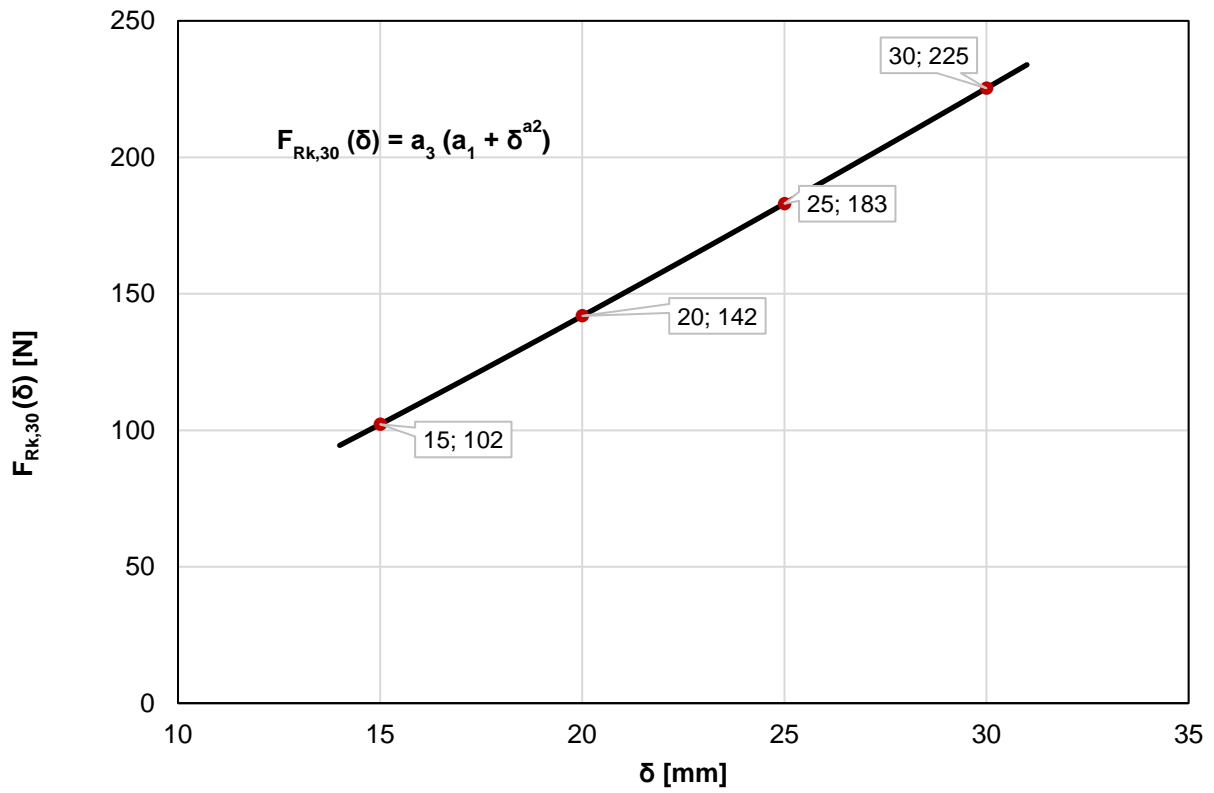
- $\delta$  Déformation
- $\delta_{max,t}$  Déformation maximale après une durée d'exposition  $\leq$  t minutes en cas d'incendie
- $F_{Rk,30}(\delta)$  Déplacement en fonction de la charge pour une durée d'exposition time t = 30 minutes en cas d'incendie

Colliers de serrage Hilti Standards MP-HI et MP-H

Résistance en cas d'incendie pour les colliers de serrage Hilti Standards MP-HI 8-12 – MP-HI 31-38 et MP-H 16-20 – MP-H 38-45

Annexe D3

Figure D2: Courbe de régression selon le Tableau D2



Colliers de serrage Hilti Standards MP-HI et MP-H

Résistance en cas d'incendie pour les colliers de serrage résidentiels Hilti  
MP-HI 8-12 – MP-HI 31-38 et MP-H 16-20 – MP-H 38-45

Annexe D4

**Tableau D3: Résistance  $F_{Rk,t}$  des colliers de serrage Hilti Standards MP-HI 38-45 – MP-HI 59-66 et MP-H 45-52 – MP-H 66-74 en cas d’incendie après t = 30, 60 et 90 minutes en combinaison avec des tiges filetées  $\geq$  M8 4.8**

Numéro de produit	Référence	Paramètres de la courbe de régression	$F_{Rk,t}$ [N]		
		$F_{Rk}(t) = c_3 (c_1 + c_2 / t)$	$F_{Rk,30}$	$F_{Rk,60}$	$F_{Rk,90}$
386408	MP-HI 38-45 M8/M10	$c_1 = 130,0056$ $c_2 = 6113,7981$ $c_3 = 0,782223$ 22 min $\leq$ t $\leq$ 117 min	261,1	181,4	154,8
386409	MP-HI 45-52 M8/M10				
386410	MP-HI 52-59 M8/M10				
386411	MP-HI 59-66 M8/M10				
386429	MP-H 45-52 M8/M10				
386430	MP-H 52-59 M8/M10				
386431	MP-H 59-66 M8/M10				
386432	MP-H 66-74 M8/M10				

**Désignation**

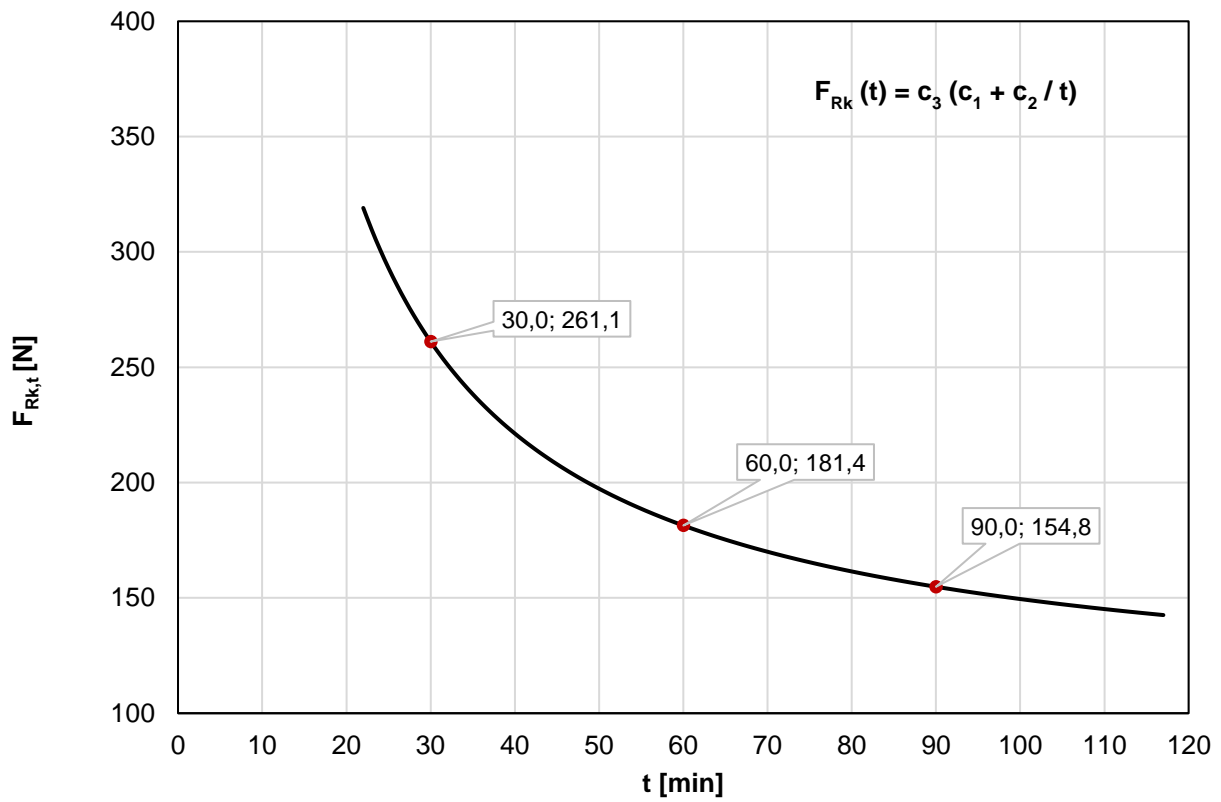
$F_{Rk,t}$  Résistance après une durée d’exposition t en cas d’incendie [N]  
 $F_{Rk}(t)$  Résistance en fonction du temps en cas d’incendie [N]

**Colliers de serrage Hilti Standards MP-HI et MP-H**

**Résistance en cas d’incendie pour les colliers de serrage Hilti Standards MP-HI 38-45 – MP-HI 59-66 et MP-H 45-52 – MP-H 66-74**

**Annexe D5**

Figure D3: Courbe de régression selon le Tableau D3



Colliers de serrage Hilti Standards MP-HI et MP-H

Résistance en cas d'incendie pour les colliers de serrage Hilti Standards  
MP-HI 38-45 – MP-HI 59-66 et MP-H 45-52 – MP-H 66-74

Annexe D6

**Tableau D4: Déplacement en fonction de la charge et déformations des colliers de serrage Hilti Standards MP-HI 38-45 – MP-HI 59-66 et MP-H 45-52 – MP-H 66-74 – MP-H 62-67 en cas d’incendie en combinaison avec des tiges filetées ≥ M8 4.8**

Numéro de produit	Référence	Paramètres de la courbe de régression	F <sub>Rk,30</sub> (δ) [N]				δ <sub>max,t</sub> [mm]	
			F <sub>Rk,30</sub> (15)	F <sub>Rk,30</sub> (20)	F <sub>Rk,30</sub> (25)	F <sub>Rk,30</sub> (30)	δ <sub>max,60</sub>	δ <sub>max,90</sub>
386408	MP-HI 38-45 M8/M10	a <sub>1</sub> = 9,8588 a <sub>2</sub> = 0,9714 a <sub>3</sub> = 0,7905 14 mm ≤ δ ≤ 42 mm	108,2	143,1	177,7	212,1	42,6	42,6
386409	MP-HI 45-52 M8/M10							
386410	MP-HI 52-59 M8/M10							
386411	MP-HI 59-66 M8/M10							
386429	MP-H 45-52 M8/M10							
386430	MP-H 52-59 M8/M10							
386431	MP-H 59-66 M8/M10							
386432	MP-H 66-74 M8/M10							

**Symboles et désignation**

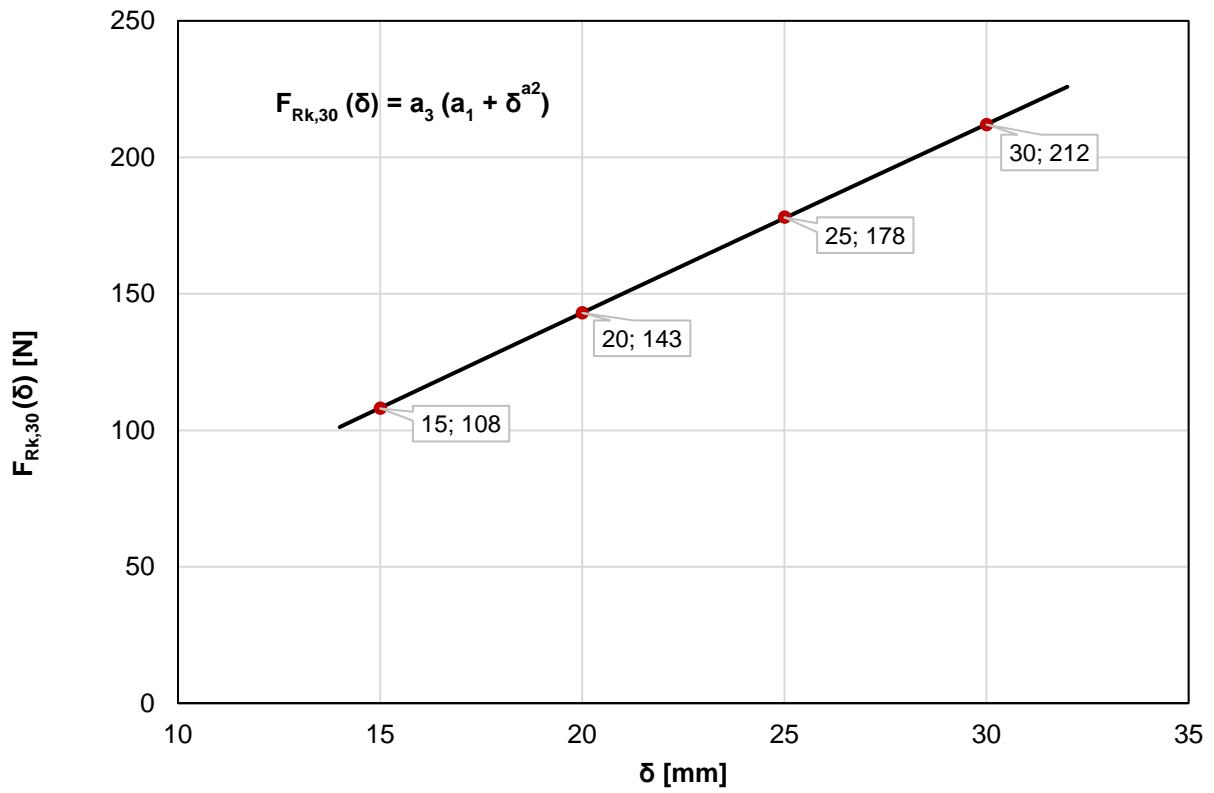
- δ Déformation
- δ<sub>max,t</sub> Déformation maximale après une durée d’exposition ≤ t minutes en cas d’incendie
- F<sub>Rk,30</sub> (δ) Déplacement en fonction de la charge pour une durée d’exposition time t = 30 minutes en cas d’incendie

Colliers de serrage Hilti Standards MP-HI et MP-H

Résistance en cas d’incendie pour les colliers de serrage Hilti Standards MP-HI 37-42 – MP-HI 57-62 et MP-H 42-47 – MP-H 62-67

Annexe D7

Figure D4: Courbe de régression selon le Tableau D4



Colliers de serrage Hilti Standards MP-HI et MP-H

Résistance en cas d'incendie pour les colliers de serrage Hilti Standards  
MP-HI 37-42 – MP-HI 57-62 et MP-H 42-47 – MP-H 62-67

Annexe D8

**Tableau D5: Resistance  $F_{Rk,t}$  des colliers de serrage Hilti Standards MP-HI 66-75 – MP-HI 101-110 et MP-H 74-83 – MP-H 110-119 en cas d’incendie après t = 30, 60 et 90 minutes en combinaison avec des tiges filetées  $\geq$  M8 4.8**

Numéro de produit	Référence	Paramètres de la courbe de régression	$F_{Rk,t}$ [N]		
			$F_{Rk}(t) = c_3 (c_1 + c_2 / t)$	$F_{Rk,30}$	$F_{Rk,60}$
386412	MP-HI 66-75 M8/M10	$c_1 = 251,4309$ $c_2 = 8335,49206$ $c_3 = 0,836356$ $17 \text{ min} \leq t \leq 116 \text{ min}$	442,7	326,5	287,7
386413	MP-HI 75-84 M8/M10				
386414	MP-HI 84-93 M8/M10				
386415	MP-HI 93-101 M8/M10				
386416	MP-HI 101-110 M8/M10				
386433	MP-H 74-83 M8/M10				
386434	MP-H 83-92 M8/M10				
386435	MP-H 92-101 M8/M10				
386436	MP-H 101-110 M8/M10				
386437	MP-H 110-119 M8/M10				

**Désignation**

$F_{Rk,t}$             Résistance après une durée d’exposition t en cas d’incendie [N]  
 $F_{Rk}(t)$         Résistance en fonction du temps en cas d’incendie [N]

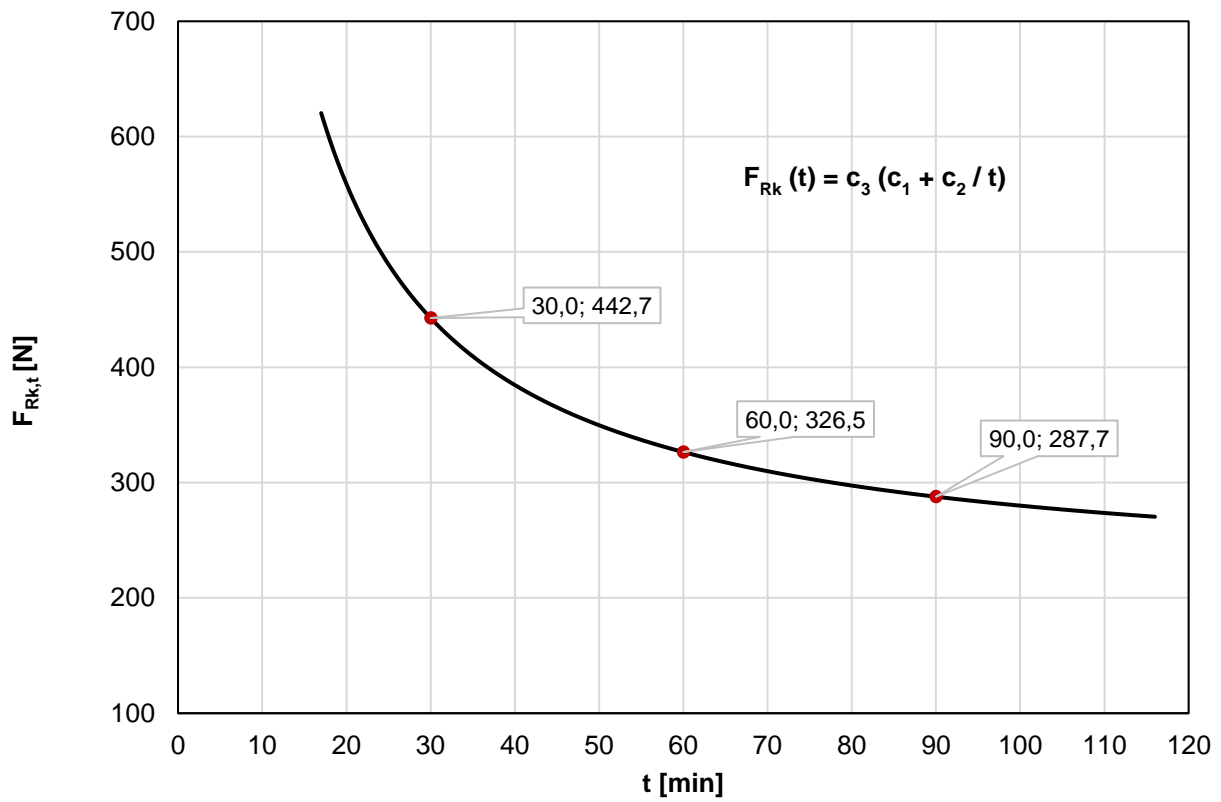
**Colliers de serrage Hilti Standard MP-HI et MP-H**

**Résistance en cas d’incendie pour les colliers de serrage Hilti Standard MP-HI 66-75 – MP-HI 101-110 et MP-H 74-83 – MP-H 110-119**

**Annexe D9**



Figure D5: Courbe de régression selon le Tableau D5



Colliers de serrage Hilti Standard MP-HI et MP-H

Résistance en cas d'incendie pour les colliers de serrage Hilti Standards  
MP-HI 66-75 – MP-HI 101-110 et MP-H 74-83 – MP-H 110-119

Annexe D10

**Tableau D6: Déplacement en fonction de la charge et déformations des colliers de serrage Hilti Standards MP-HI 66-75 – MP-HI 101-110 et MP-H 74-83 – MP-H 110-119 en cas d’incendie en combinaison avec des tiges filetées ≥ M8 4.8**

Numéro de produit	Référence	Paramètres de la courbe de régression $F_{Rk,30}(\delta) = a_3(a_1 + \delta^{a_2})$	$F_{Rk,30}(\delta)$ [N]				$\delta_{max,t}$ [mm]	
			$F_{Rk,30}(25)$	$F_{Rk,30}(40)$	$F_{Rk,30}(60)$	$F_{Rk,30}(80)$	$\delta_{max,60}$	$\delta_{max,90}$
386412	MP-HI 66-75 M8/M10	$a_1 = 44,7483$ $a_2 = 0,5817$ $a_3 = 0,8386$ $25 \text{ mm} \leq \delta \leq 80 \text{ mm}$	224,0	320,8	406,1	480,1	80,1	80,1
386413	MP-HI 75-84 M8/M10							
386414	MP-HI 84-93 M8/M10							
386415	MP-HI 93-101 M8/M10							
386416	MP-HI 101-110 M8/M10							
386433	MP-H 74-83 M8/M10							
386434	MP-H 83-92 M8/M10							
386435	MP-H 92-101 M8/M10							
386436	MP-H 101-110 M8/M10							
386437	MP-H 110-119 M8/M10							

**Désignation**

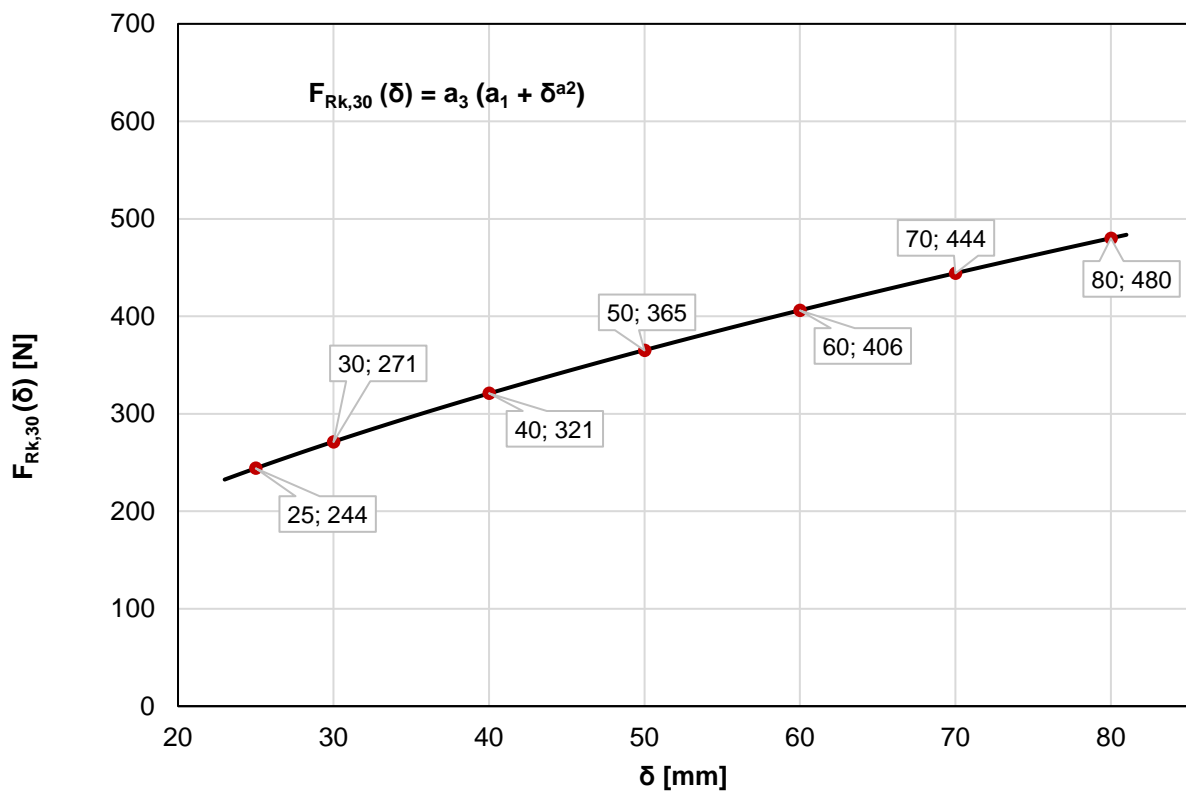
- $\delta$  Déformation
- $\delta_{max,t}$  Déformation maximale après une durée d’exposition ≤ t minutes en cas d’incendie
- $F_{Rk,30}(\delta)$  Déplacement en fonction de la charge pour une durée d’exposition time t = 30 minutes en cas d’incendie

**Colliers de serrage Hilti Standards MP-HI et MP-H**

**Résistance en cas d’incendie pour les colliers de serrage Hilti Standards MP-HI 66-75 – MP-HI 101-110 et MP-H 74-83 – MP-H 110-119**

**Annexe D11**

Figure D6: Courbe de régression selon le Tableau D6



Colliers de serrage Hilti Standards MP-HI et MP-H

Résistance en cas d'incendie pour les colliers de serrage Hilti Standards  
MP-HI 66-75 – MP-HI 101-110 et MP-H 74-83 – MP-H 110-119

Annexe D12

**Tableau D7: Resistance  $F_{Rk,t}$  des colliers de serrage Hilti Standards MP-HI 97-103 – MP-HI 135-141 et MP-H 102-108 – MP-H 141-147 en cas d’incendie après t = 30, 60 et 90 minutes en combinaison avec des tiges filetées  $\geq$  M8 4.8**

Numéro de produit	Référence	Paramètres de la courbe de régression	$F_{Rk,t}$ [N]		
			$F_{Rk,30}$	$F_{Rk,60}$	$F_{Rk,90}$
386417	MP-HI 110-119 M8/M10	$c_1 = 273,9652$ $c_2 = 10491,7186$ $c_3 = 0,830129$ $27 \text{ min} \leq t \leq 107 \text{ min}$	517,7	372,6	324,2
386418	MP-HI 119-129 M8/M10				
386419	MP-HI 129-137 M8/M10				
386420	MP-HI 137-145 M8/M10				
386421	MP-HI 145-155 M8/M10				
386422	MP-HI 155-163 M8/M10				
386423	MP-HI 163-172 M8/M10				
386438	MP-H 119-127 M8/M10				
386439	MP-H 127-137 M8/M10				
386440	MP-H 137-145 M8/M10				
386441	MP-H 145-155 M8/M10				
386442	MP-H 155-163 M8/M10				
386443	MP-H 163-172 M8/M10				

**Désignation**

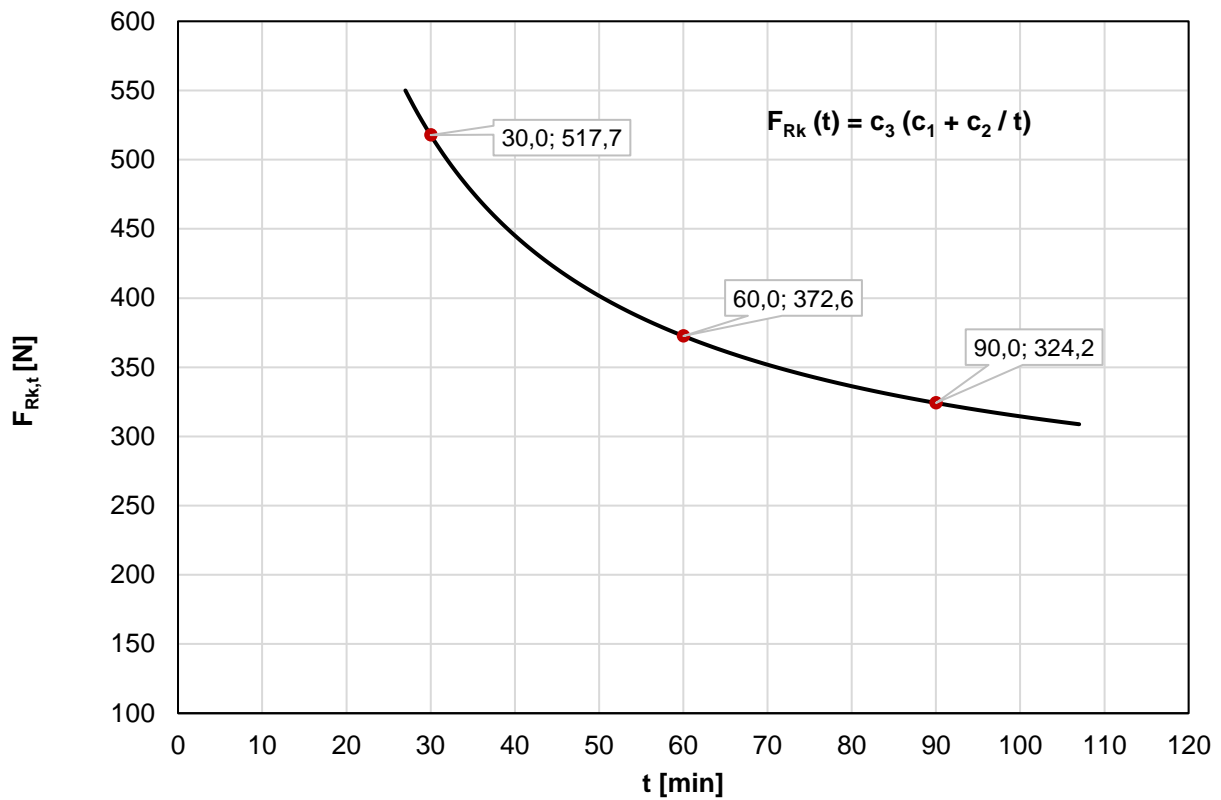
$F_{Rk,t}$             Résistance après une durée d’exposition t en cas d’incendie [N]  
 $F_{Rk}(t)$         Résistance en fonction du temps en cas d’incendie [N]

**Colliers de serrage Hilti Standards MP-HI et MP-H**

**Résistance en cas d’incendie pour les colliers de serrage Hilti Standards MP-HI 110-119 – MP-HI 163-172 et MP-H 119-127 – MP-H 163-172**

**Annexe D13**

Figure D7: Courbe de régression selon le Tableau D7



Colliers de serrage Hilti Standards MP-HI et MP-H

Résistance en cas d'incendie pour les colliers de serrage Hilti Standards  
MP-HI 110-119 – MP-HI 163-172 et MP-H 119-127 – MP-H 163-172

Annexe D14

**Tableau D8: Résistance  $F_{Rk,t}$  des colliers de serrage Hilti Standards MP-HI 110-119 – MP-HI 163-172 et MP-H 119-127 – MP-H 163-172 en cas d’incendie après  $t = 30, 60$  et  $90$  minutes en combinaison avec des tiges filetées  $\geq M8$  4.8**

Numéro de produit	Référence	Paramètres de la courbe de régression	$F_{Rk,30}(\delta)$ [N]				$\delta_{max,t}$ [mm]	
			$F_{Rk,30}(\delta) = a_3 (a_1 + \delta^{a_2})$	$F_{Rk,30}(25)$	$F_{Rk,30}(40)$	$F_{Rk,30}(50)$	$F_{Rk,30}(55)$	$\delta_{max,60}$
386417	MP-HI 110-119 M8/M10	$a_1 = 49,3956$ $a_2 = 0,5912$ $a_3 = 0,766$ $23 \text{ mm} \leq \delta \leq 68 \text{ mm}$	253,7	335,0	382,2	404,4	68,1	68,1
386418	MP-HI 119-129 M8/M10							
386419	MP-HI 129-137 M8/M10							
386420	MP-HI 137-145 M8/M10							
386421	MP-HI 145-155 M8/M10							
386422	MP-HI 155-163 M8/M10							
386423	MP-HI 163-172 M8/M10							
386438	MP-H 119-127 M8/M10							
386439	MP-H 127-137 M8/M10							
386440	MP-H 137-145 M8/M10							
386441	MP-H 145-155 M8/M10							
386442	MP-H 155-163 M8/M10							
386443	MP-H 163-172 M8/M10							

**Désignation**

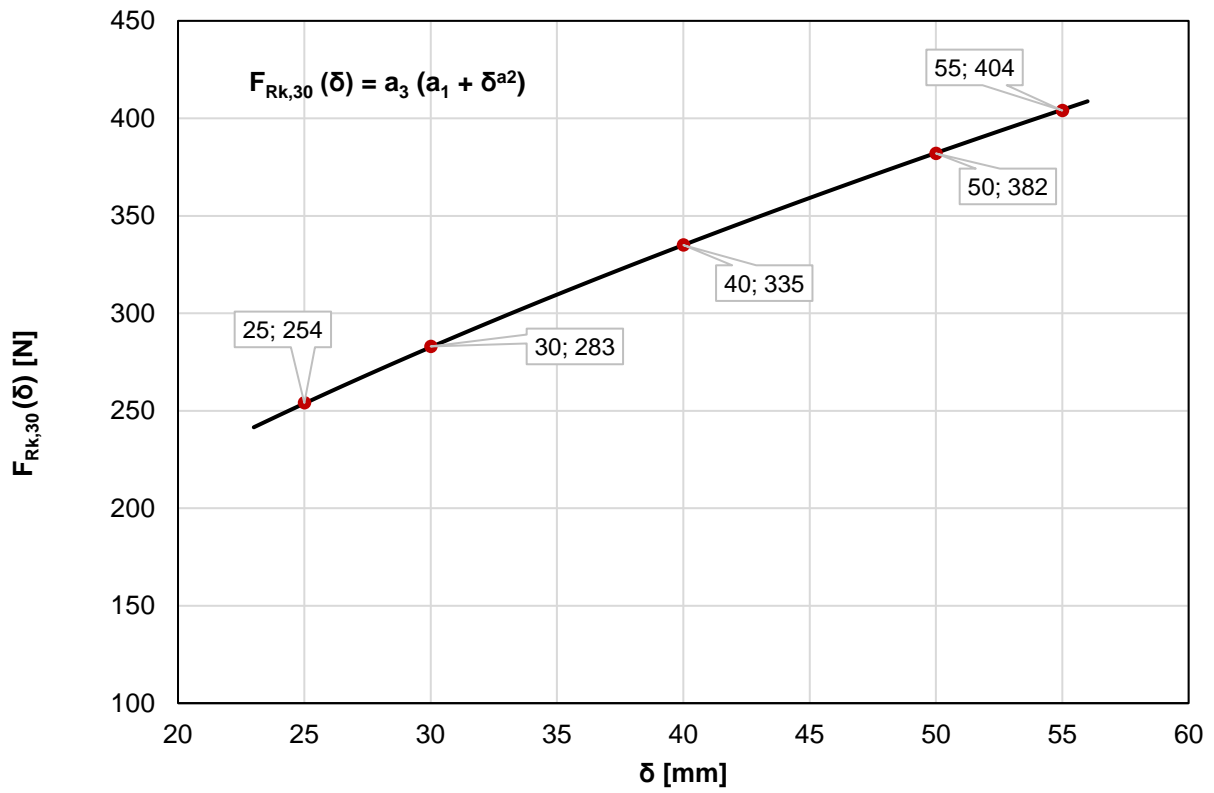
- $\delta$  Déformation
- $\delta_{max,t}$  Déformation maximale après une durée d’exposition  $\leq t$  minutes en cas d’incendie
- $F_{Rk,30}(\delta)$  Déplacement en fonction de la charge pour une durée d’exposition time  $t = 30$  minutes en cas d’incendie

**Colliers de serrage Hilti Standards MP-HI et MP-H**

**Résistance en cas d’incendie pour les colliers de serrage Hilti Standards MP-HI 110-119 – MP-HI 163-172 et MP-H 119-127 – MP-H 163-172**

**Annexe D15**

Figure D8: Courbe de régression selon le Tableau D8

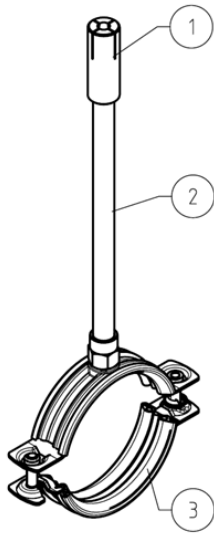


Colliers de serrage Hilti Standards MP-HI et MP-H

Résistance en cas d'incendie pour les colliers de serrage Hilti Standards  
MP-HI 110-119 – MP-HI 163-172 et MP-H 119-127 – MP-H 163-172

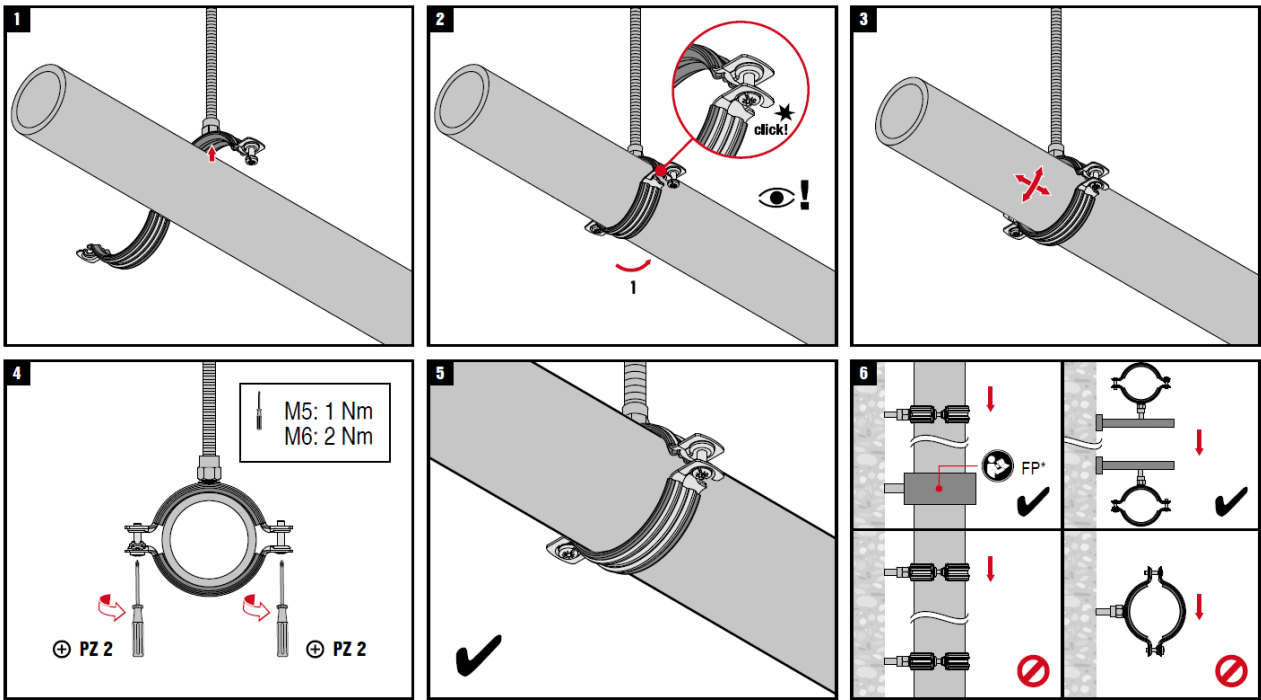
Annexe D16

Figure E1: Liste des éléments et instructions de mise en œuvre



Bill of material					
Part of typical		Ref.	Opt.	Item No.	Description
Setup	Fixation	1	A	376967	HKD M10x40 drop-in anchor
		2	A*	339793	AM8x1000 4.8 threaded rod
				339794	AM8x2000 4.8 threaded rod
				216415	AM8x3000 4.8 threaded rod
		2	B**	339795	AM10x1000 4.8 threaded rod
				339796	AM10x2000 4.8 threaded rod
216418	AM10x3000 4.8 threaded rod				
Pipe clamp	M8/M10	3	A	386402	MP-HI M8/10 and MP-H M8/10
			B	386443	

\* Only for use under ambient temperature  
 \*\* In case of fire



\*FP = Fixed Point / Fixpunkt

Colliers de serrage Hilti Standards MP-HI et MP-H

Instructions générales d'assemblage

Annexe E1  
(informative)