



Classified by
Underwriters Laboratories, Inc.
to UL 1479

System No. F-A-2072

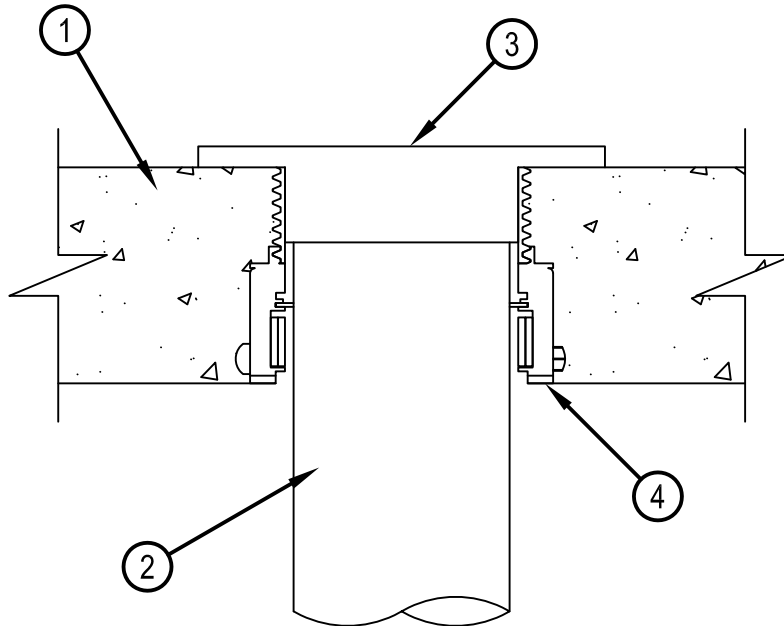
F Rating — 3 Hr

T Rating — 0 Hr

L Rating At Ambient — Less Than 1 CFM/sq ft (See Item 4)

L Rating At 400 F — Less Than 1 CFM/sq ft (See Item 4)

FA 2072



1. Floor Assembly — Min 4-1/2 in. (114 mm) thick reinforced lightweight or normal weight (100-150 pcf or 1600-2400 kg/m³) concrete.
- 1A. Floor Assembly — (Optional - Not Shown)-The fire rated unprotected concrete and steel floor assembly shall be constructed of the materials and in the manner specified in the individual D900 Series designs in the UL Fire Resistance Directory and as summarized below:
 - A. Concrete — Min 4-1/2 in. (114 mm) thick reinforced lightweight or normal weight (100-150 pcf or 1600-2400 kg/m³) concrete.
 - B. Steel Floor and Form Units* — Composite or non-composite max 3 in. (76 mm) deep galv steel fluted units as specified in the individual Floor-Ceiling Design.
2. Firestop Device* — Cast in place firestop device permanently embedded during concrete placement or grouted in concrete assembly in accordance with accompanying installation instructions. Device to be cut flush with top surface of the concrete.
HILTI CONSTRUCTION CHEMICALS, DIV OF HILTI INC — CP680-110/4"N, CP 680-P 3", CP 680-P 4", CP 680-PX 3"
3. Closet Flange — Polyvinyl chloride (PVC) or acrylonitrile butadiene styrene (ABS) closet stub sized to accommodate drain pipe. Closet flange installed over drain piping within top of Firestop Device with flange secured to concrete floor with steel screws.
4. Drain Piping — Nom 3 or 4 in. (76 or 102 mm) diam Schedule 40 solid core or cellular core polyvinyl chloride (PVC) or acrylonitrile butadiene styrene (ABS) drain piping and fittings. L Rating applies only to CP 680-P(X) device and only when nom diam of pipe equals size of device.
5. Water Closet — (Not Shown) - Floor mounted vitreous china water closet.

* Indicates such products shall bear the UL or cUL Certification Mark for jurisdictions employing the UL or cUL Certification (such as Canada), respectively.



Hilti Firestop Systems

Reproduced by HILTI, Inc. Courtesy of
Underwriters Laboratories, Inc.

June 29, 2015