



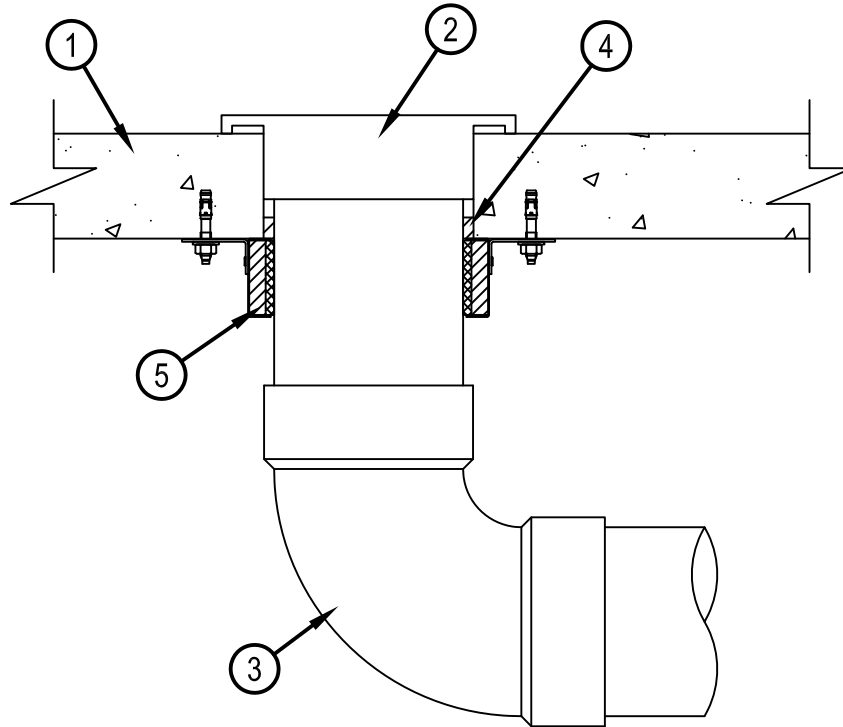
Classified by  
Underwriters Laboratories, Inc.  
to UL 1479

## System No. F-A-2075

F Rating — 2 Hr

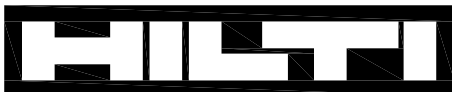
T Rating — 0 Hr

FA 2075



1. Floor Assembly — Min 2-1/2 in. (64 mm) thick reinforced lightweight or normal weight (100-150 pcf or 1600-2400 kg/m<sup>3</sup>) concrete. Max diam of opening is 5 in. (127 mm).
2. Closet Flange — Polyvinyl chloride (PVC) closet stub sized to accommodate drain pipe. Closet flange installed over drain piping within opening with flange secured to concrete floor with steel screws.
3. Drain Piping — Nom 4 in. (102 mm) diam Schedule 40 polyvinyl chloride (PVC) drain pipe for use in vented (drain, waste or vent) piping systems. Pipe installed concentrically within firestop system. Annular space between drain pipe and periphery of opening shall be 1/4 in. (6 mm).
4. Fill, Void or Cavity Materials\* — Min 1/2 in. (13 mm) thickness of fill material applied within the annulus, flush with the bottom surface of floor.  
HILTI CONSTRUCTION CHEMICALS, DIV OF HILTI INC — FS-ONE Sealant or FS-ONE MAX Intumescent Sealant
5. Firestop Device\* - Firestop Collar — Firestop collar shall be installed in accordance with the accompanying installation instructions. Collar to be installed around pipe and secured to the underside of the floor using anchor hooks provided with the collar. Min 3 anchor hooks required. The anchor hooks are to be secured with min 1/4 in. (6 mm) diam by min 1-1/4 in. (32 mm) long steel expansion bolts or min 0.145 in. diam by 1-1/4 in. (32 mm) long powder actuated fasteners utilizing a 1-7/16 in. (36.5 mm) diam by 1/16 in. (1.6 mm) thick steel washer. As alternates to the anchors specified above, Hilti 1/4 in. (6 mm) diam by 1-1/4 in. (32 mm) long KWIK-CON II+ concrete screw anchor, Hilti 1/4 in. (6 mm) diam by 1-3/4 in. (44 mm) long KWIK-BOLT 3 steel expansion anchor or Hilti X-DNI 27 P8 S15 powder actuated floor pin with integral nom 9/16 in. (14 mm) diam washer may be used. One anchor bolt shall be used in each anchor hook.  
HILTI CONSTRUCTION CHEMICALS, DIV OF HILTI INC — CP 643 110/4"N

\* Indicates such products shall bear the UL or cUL Certification Mark for jurisdictions employing the UL or cUL Certification (such as Canada), respectively.



**Hilti Firestop Systems**

Reproduced by HILTI, Inc. Courtesy of  
Underwriters Laboratories, Inc.

January 15, 2015