

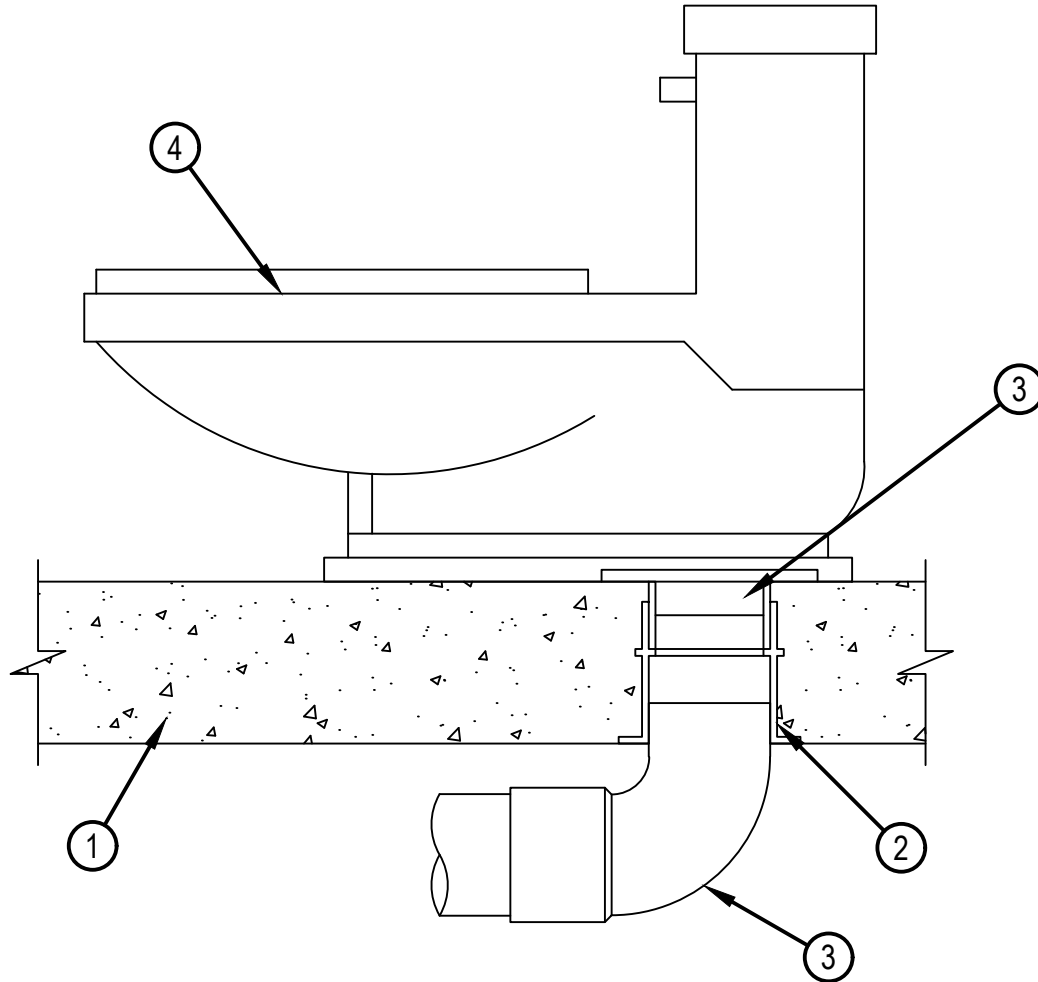


Classified by
Underwriters Laboratories, Inc.
to UL 1479

System No. F-B-2032

F Rating — 3 Hr
T Rating — 0 Hr

FB 2032



1. Floor Assembly — Min 6 in. (152 mm) thick reinforced lightweight or normal weight (100-150 pcf or 1600-2400 kg/m³) concrete.
2. Firestop Device* — Closet Stub — Cast in coupling sized to accommodate nom 3 or 4 in. (76 or 102 mm) diam pipe. Device provided with closet flange to be cemented into top socket of cast in coupling at the time of the installation of the closet stub. Device installed in accordance with accompanying installation instructions.
HILTI CONSTRUCTION CHEMICALS, DIV OF HILTI INC — 3" Closet stub, 4" Closet Stub, 3" and 4" CFS-CID-CS Firestop Closet Stub.
3. Penetrants — One nonmetallic drain pipe and one toilet flange to be fitted and cemented within the appropriately sized firestop device (Item 2) using PVC cement. The following types and sizes of nonmetallic pipes, fittings and flanges may be used:
 - A. Polyvinyl Chloride — (PVC) Pipe Nom 4 in. (102mm) diam (or smaller) Schedule 40 solid core or cellular core PVC pipe for use in vented (drain, waste or vent) piping system.
4. Water Closet — Floor mounted vitreous china water closet.

* Indicates such products shall bear the UL or cUL Certification Mark for jurisdictions employing the UL or cUL Certification (such as Canada), respectively.



Reproduced by HILTI, Inc. Courtesy of
Underwriters Laboratories, Inc.
February 17, 2022