



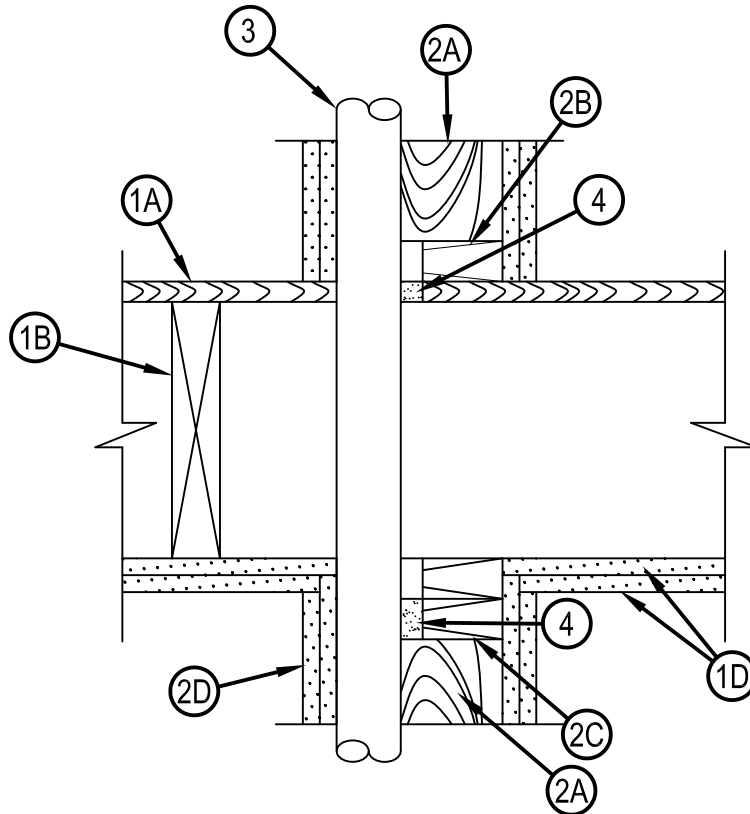
Classified by
Underwriters Laboratories, Inc.
to UL 1479

System No. F-C-2081

F Ratings — 1 and 2 Hr (See Item 1)

T Ratings — 1 and 2 Hr (See Item 1)

FC 2081



SECTION A-A

1. Floor-Ceiling Assembly — The 1 or 2 hr fire-rated solid or trussed lumber joist floor-ceiling assembly shall be constructed of the materials and in the manner specified in the individual L500 Series Floor-Ceiling Designs in the UL Fire Resistance Directory. The F and T Ratings of the firestop system is equal to the rating of the floor-ceiling and wall assemblies. The general construction features of the floor-ceiling assembly are summarized below:

- A. Flooring System — Lumber or plywood subfloor with finish floor or lumber, plywood or Floor Topping Mixture* as specified in the individual Floor-Ceiling Design. Diam of opening shall be 1/2 in. (13 mm) larger than the nom diam of through-penetrant (Item 3).
- B. Wood Joists* — For 1 hr fire-rated floor-ceiling assemblies nom 10 in. (254 mm) deep (or deeper) lumber, steel or combination lumber and steel joists, trusses or Structural Wood Members* with bridging as required and with ends firestopped. For 2 hr fire-rated floor-ceiling assemblies, nom 2 by 10 in. (51 by 254 mm) lumber joists spaced 16 in. (406 mm) OC with nom 1 by 3 in. (25 by 76 mm) lumber bridging and with ends firestopped.
- C. Furring Channels — (Not Shown) — (As required) - Resilient galvanized steel furring installed in accordance with the manner specified in the individual L500 Series Designs in the Fire Resistance Directory.
- D. Gypsum Board* — Thickness, type, number of layers and fasteners shall be as specified in the individual Floor-Ceiling Design. Diam of opening shall be 1/2 in. (13 mm) larger than the nom diam of through-penetrant (Item 3).



Hilti Firestop Systems

Reproduced by HILTI, Inc. Courtesy of
Underwriters Laboratories, Inc.

January 20, 2015

System No. F-C-2081

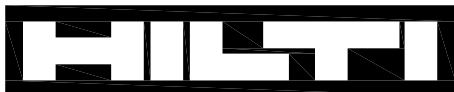
FC 2081

2. Chase Wall — (Optional) - The 1 or 2 hr fire-rated single wood stud/gypsum wallboard chase wall shall be constructed of the materials and in the manner specified in the individual U300 Series Wall and Partition Designs in the UL Fire Resistance Directory and shall include the following construction features:

- A. Studs — Nom 2 by 4 in. (51 by 102 mm) lumber studs.
 - B. Sole Plate — Nom 2 by 4 in. (51 by 102 mm) lumber plates. Diam of opening shall be 1/2 in. (13 mm) larger than the nom diam of through-penetrant (Item 3).
 - C. Top Plate — The double top plate shall consist of two nom 2 by 4 in. (51 by 102 mm) lumber plates. Diam of opening shall be 1/2 in. (13 mm) larger than the nom diam of through-penetrant (Item 3).
 - D. Gypsum Board — Thickness, type, number of layers and fasteners shall be as specified in individual Wall and Partition Design.
3. Through-Penetrants — One nom 1 in. (25 mm) diam crosslinked polyethylene (PEX) SDR 9 tube for use in closed (process or supply) or vented (drain, waste or vent) piping systems. Diam of opening through flooring system and through sole and top plates of chase wall to be max 1-1/2 in. (38 mm). Pipe to be rigidly supported on both sides of floor-ceiling assembly.
4. Fill, Void or Cavity Material* — Sealant — Min 1/2 in. (13 mm) thickness of fill material applied within the annulus, flush with top surface of floor or sole plate and a min 1/2 in. (13 mm) thickness of fill material applied within the annulus, flush with the bottom surface of the ceiling or lower top plates.

HILTI CONSTRUCTION CHEMICALS, DIV OF HILTI INC — FS-ONE Sealant or FS-ONE MAX Intumescent Sealant.

* Indicates such products shall bear the UL or cUL Certification Mark for jurisdictions employing the UL or cUL Certification (such as Canada), respectively.



Hilti Firestop Systems

Reproduced by HILTI, Inc. Courtesy of
Underwriters Laboratories, Inc.
January 20, 2015

Page: 2 of 2