

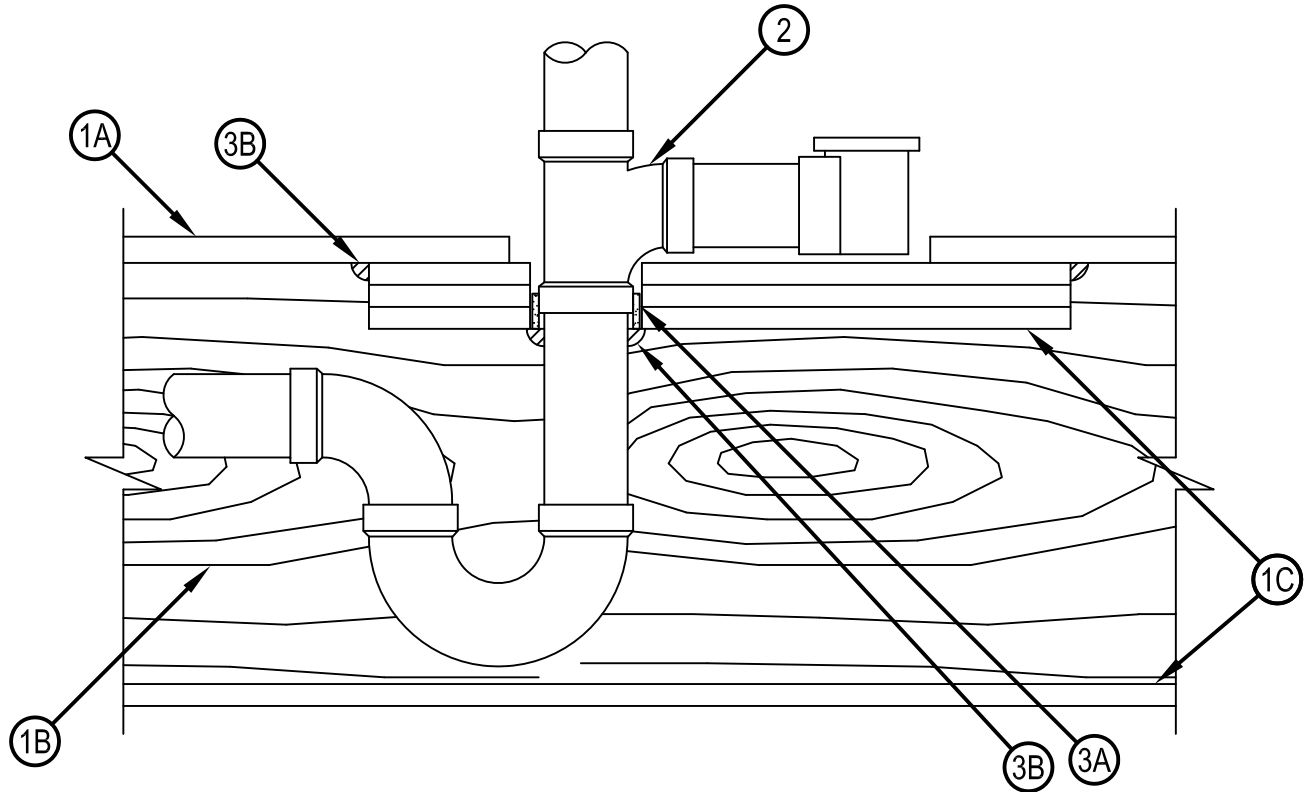


Classified by
Underwriters Laboratories, Inc.
to UL 1479

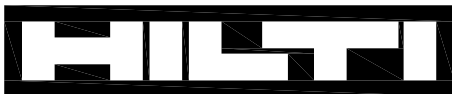
System No. F-C-2189

F Rating - 1 Hr
T Rating - 1 Hr

FC 2189



1. Floor-Ceiling Assembly — The fire-rated solid or trussed lumber joist floor-ceiling assembly shall be constructed of the materials and in the manner specified in individual L500 Series Floor-Ceiling Designs in the UL Fire Resistance Directory. The general construction details of the floor-ceiling assembly are summarized below:
 - A. Flooring System — Lumber or plywood subfloor with finish floor of lumber, plywood or Floor Topping Mixture* as specified in the individual Floor-Ceiling Design. Rectangular cutout in flooring to accommodate the bathtub drain piping (Item 2) to be max 8 by 12 in. (203 by 305 mm).
 - B. Wood Joists — Nom 10 in. (254 mm) deep (or deeper) lumber, steel or combination lumber and steel joists, trusses or Structural Wood Members* with bridging as required and with ends firestopped.
 - C. Gypsum Board* — Nom 4 ft (122 cm) wide by 5/8 in. (16 mm) thick as specified in the individual Floor-Ceiling Design. Gypsum board secured to joists as specified in the individual Floor-Ceiling Design. Three pieces of gypsum board, each min 4 in. longer and wider than the cutout in the flooring, screw attached to bottom of flooring concentric with cutout. In addition, min 1/2 in. (13 mm) diam by 2 in. (51 mm) high wavy bead of FS-One Sealant to be applied to the top perimeter of each piece of gypsum board prior to its installation. Diam of opening hole-sawed through both layers of the gypsum board patch to be 1/2 in. (13 mm) larger than outside diam of bathtub drain piping (Item 2).



Hilti Firestop Systems

Reproduced by HILTI, Inc. Courtesy of
Underwriters Laboratories, Inc.

January 15, 2015

System No. F-C-2189

FC 2189

2. Drain Piping — Nom 2 in. (51 mm) diam (or smaller) Schedule 40 cellular or solid core PVC or ABS pipe and drain fittings cemented together and provided with PVC or ABS bathtub waste/overflow fitting.

3. Firestop System — The firestop system shall consist of the following:

A. Fill, Void or Cavity Material* — Wrap Strip — Nom 3/16 in. (5 mm) thick by 1 in. (25 mm) wide intumescent wrap strip. One wrap strip is continuously wrapped around the outer circumference of the drain pipe within joist cavity and held in place with pieces of tape. Wrap strip slid into annular space of cut-out in gypsum board such that the bottom surface of the wrap strip is flush with the bottom surface of the gypsum board.

HILTI CONSTRUCTION CHEMICALS, DIV OF HILTI INC — CP648-E W25/1" Wrap Strip

A1. Fill, Void or Cavity Material* — Wrap Strip — (As an alternate to the wrap strip in Item 3A on nom 1-1/2" and 2" (38 and 51 mm) diam pipes only) - Nom 3/16 in. (5 mm) thick by 1-1/2 or 2 in. (38 or 51 mm) wide intumescent wrap strip. One layer of intumescent wrap strip is tightly wrapped around the pipe with ends butted and held in place with integrated tape. Wrap strip slid into annular space of cut-out in gypsum board such that the bottom surface of the wrap strip is flush with the bottom surface of the gypsum board.

HILTI CONSTRUCTION CHEMICALS, DIV OF HILTI INC — CP648-S-1.5" US, CP648-S-2" US

B. Fill, Void or Cavity Material* — Caulk — Min 1/2 in. (13 mm) diam bead of Sealant to be applied around the perimeter of the gypsum board at its interface with the wood floor. Additional 1/2 in. (13 mm) diam bead to be applied to the bottom of the wrap strip at its interface with the drain pipe.

HILTI CONSTRUCTION CHEMICALS, DIV OF HILTI INC — FS-One Sealant or FS-ONE MAX Intumescent Sealant

* Indicates such products shall bear the UL or cUL Certification Mark for jurisdictions employing the UL or cUL Certification (such as Canada), respectively.



Hilti Firestop Systems

Reproduced by HILTI, Inc. Courtesy of
Underwriters Laboratories, Inc.
January 15, 2015

Page: 2 of 2