



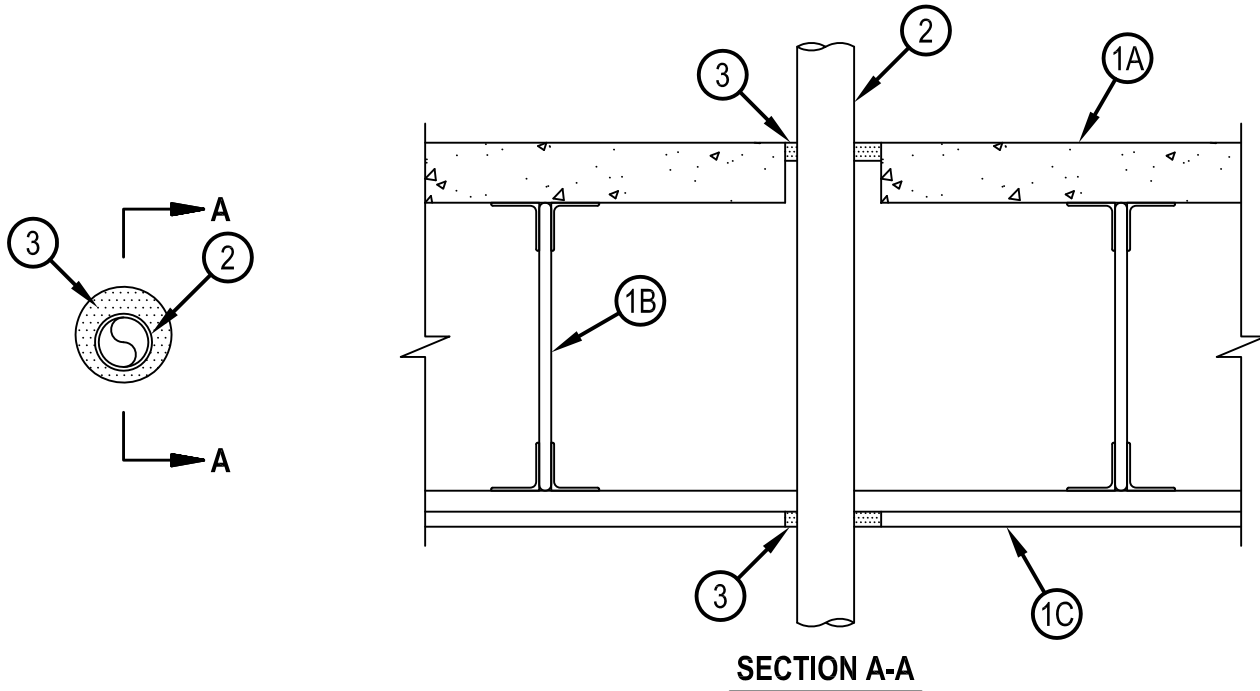
Classified by
Underwriters Laboratories, Inc.
to UL 1479

System No. F-E-2005

F Rating — 1 Hr

T Rating — 1 Hr

FE 2005



1. Floor-Ceiling Assembly — The 1 hr fire rated concrete and steel joist Floor-Ceiling assembly shall be constructed of the materials and in the manner described in the individual G500 Series Design in the UL Fire Resistance Directory, as summarized below:
 - A. Concrete Floor — Normal weight or lightweight (100-150 pcf or 1600-2400 kg/m³) concrete over metal lath or steel deck as specified in the individual G500 Series Design. Max diam of opening to be max 1-5/8 in. (41 mm) larger than OD of through penetrant.
 - B. Joists — Steel joists or Structural Steel Members* as specified in the individual G500 Series Design.
 - C. Gypsum board* — Min 5/8 in. (16 mm) thick, screw-attached to furring channels as specified in the individual G500 Series Design. Max diam of ceiling opening to be max 1-5/8 in. (41 mm) larger than OD of through penetrant.
2. Through Penetrant — One nonmetallic pipe to be installed either concentrically or eccentrically within the opening. Annular space to be min 1/2 in. (13 mm) to max 1-1/8 in. (29 mm). Penetrant to be located approx midway between joists and rigidly supported on both sides of floor-ceiling assembly. The following types and sizes of nonmetallic pipe may be used:
 - A. Polyvinyl Chloride (PVC) Pipe — Nom 2 in. (51 mm) diam (or smaller) Schedule 40 solid or cellular core PVC pipe for use in closed (process or supply) or vented (drain, waste or vent) piping systems.
 - B. Chlorinated Polyvinyl Chloride (CPVC) Pipe — Nom 2 in. (51 mm) diam (or smaller) SDR13.5 CPVC pipe for use in closed (process or supply) or vented (drain, waste or vent) piping systems.
3. Fill, Void or Cavity Materials*- Sealant — Min 3/4 in. (19 mm) thickness of fill material applied within the annulus, flush with top surface of floor. Min 5/8 in. (16 mm) thickness of fill material applied within the annulus, flush with bottom surface of gypsum board.
HILTI CONSTRUCTION CHEMICALS, DIV OF HILTI INC — FS-ONE Sealant or FS-ONE-MAX Intumescent Sealant

* Indicates such products shall bear the UL or cUL Certification Mark for jurisdictions employing the UL or cUL Certification (such as Canada), respectively.



Hilti Firestop Systems

Reproduced by HILTI, Inc. Courtesy of
Underwriters Laboratories, Inc.

January 21, 2015