

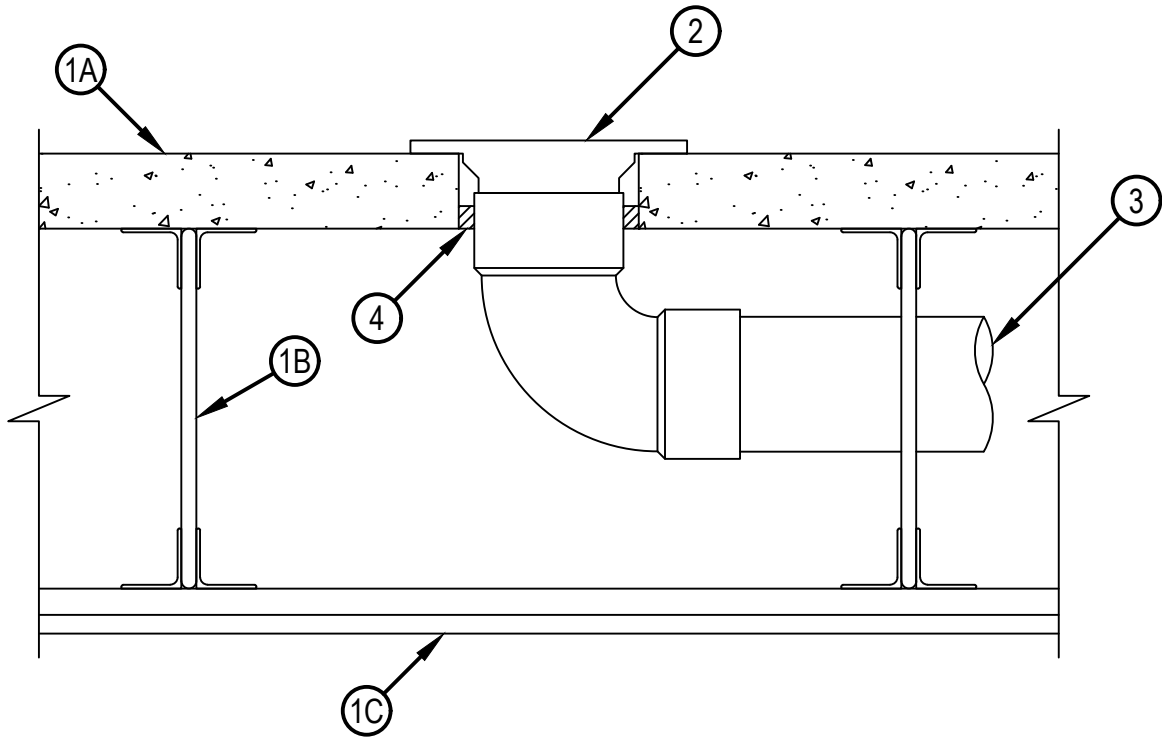


Classified by
Underwriters Laboratories, Inc.
to UL 1479

System No. F-E-2026

F Rating - 1 Hr
T Rating - 1/2 Hr

FE 2026



1. Floor-Ceiling Assembly — The 1 hr fire rated concrete and steel joist Floor-Ceiling assembly shall be constructed of the materials and in the manner described in the individual G500 Series Design in the UL Fire Resistance Directory, as summarized below:
 - A. Concrete Floor — Normal weight or lightweight (100-150 pcf or 1600-2400 kg/m³) concrete over metal lath or steel deck as specified in the individual G500 Series Design. Max diam of floor opening is 5 in. (127 mm).
 - B. Joists — Steel joists or Structural Steel Members* as specified in the individual G500 Series Design
 - C. Gypsum Board* — Min 5/8 in. (16 mm) thick, screw-attached to furring channels as specified in the individual G500 Series Design.
2. Closet Flange — Acrylonitrile butadiene styrene (ABS) or polyvinyl chloride (PVC) closet stub sized to accommodate drain pipe. Closet flange installed over drain piping within floor opening with flange secured to concrete floor with steel screws. Diam of floor opening to be max 1/2 in. (13 mm) larger than outside diam of closet flange.
3. Drain Piping — Nom 4 in. (102 mm) diam (or smaller) Schedule 40 solid or cellular core acrylonitrile butadiene styrene (ABS) or polyvinyl chloride (PVC) drain pipe and 90 degree elbow for use in vented (drain, waste or vent) piping systems. Pipe installed concentrically within firestop system.
4. Fill, Void or Cavity Materials* — Sealant — Min 3/4 in. (19 mm) thickness of fill material applied within the annulus, flush with the bottom surface of floor. When steel deck is used as a form for the concrete floor, the min 3/4 in. (19 mm) thickness of fill material shall be applied within the annulus above the top plane of the steel deck.

HILTI CONSTRUCTION CHEMICALS, DIV OF HILTI INC — FS-ONE Sealant or FS-ONE-MAX Intumescent Sealant
5. Water Closet — (Not Shown) — Floor mounted vitreous china water closet.

* Indicates such products shall bear the UL or cUL Certification Mark for jurisdictions employing the UL or cUL Certification (such as Canada), respectively.



Reproduced by HILTI, Inc. Courtesy of
Underwriters Laboratories, Inc.
January 21, 2015