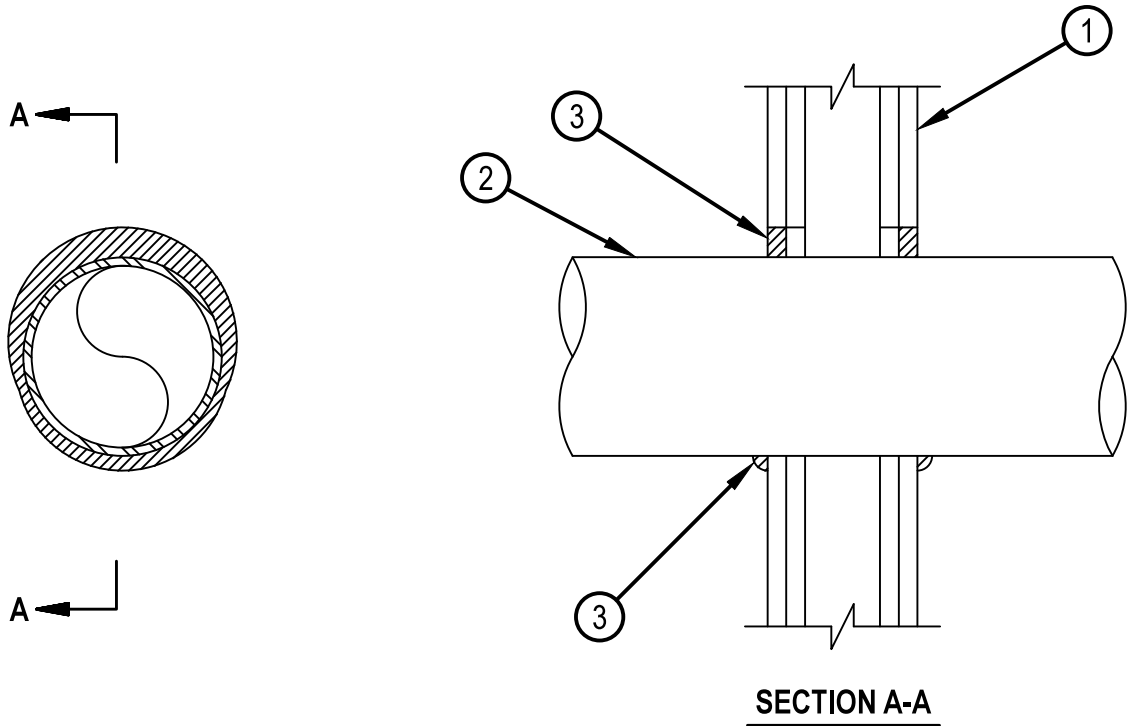




Underwriters Laboratories, Inc.
to UL 1479

System No. W-L-2330
F Rating — 1 and 2 Hr (See Item 1)
T Rating — 0 Hr

WL 2330



1. Wall Assembly — The 1 and 2 hr fire-rated gypsum board/stud wall assembly shall be constructed of the materials and in the manner described in the individual U400, V400 or W400 Series Wall or Partition Design in the UL Fire Resistance Directory and shall include the following construction features:
 - A. Studs — Wall framing shall consist of steel channel studs. Steel studs to be min 2-1/2 in. (64 mm) wide and spaced max 24 in. (610 mm) OC.
 - B. Gypsum Board* — The gypsum board type, thickness number of layers, fastener type and sheet orientation shall be specified in the individual Wall or Partition Design in the UL Fire Resistance Directory. Max diam of opening is 7-5/8 in. (194 mm). The hourly F Rating of the firestop system is equal to the hourly fire rating of the wall assembly in which it is installed.
 2. Through Penetrants* - Glass Pipe — Nom 6 in. (152 mm) diam (or smaller) glass pipe for use in closed (process or supply) or vented (drain, waste or vent) piping systems. Pipe to be installed concentrically or eccentrically within the firestop system with annular spaces of min 0 in. (point contact) to max 1-1/4 in. (32 mm) between glass pipe and the periphery of the opening. Pipe to be rigidly supported on both sides of wall assembly. Pipe couplings to be located min 12 in. (305 mm) from wall surface.
SCHOTT NORTH AMERICA INC
 3. Fill, Void or Cavity Material - Sealant* — Min 5/8 in. (16 mm) thickness of fill material applied within annulus between gypsum board and glass pipe, flush with surfaces of wall. At point contact, a min 1/2 in. (13 mm) bead of fill material shall be applied at the gypsum board/glass pipe interface on both sides of wall.
HILTI CONSTRUCTION CHEMICALS, DIV OF HILTI INC — FS-ONE Sealant or FS-ONE MAX Intumescent Sealant
- * Indicates such products shall bear the UL or cUL Certification Mark for jurisdictions employing the UL or cUL Certification (such as Canada), respectively.



Reproduced by HILTI, Inc. Courtesy of
Underwriters Laboratories, Inc.
January 22, 2015