

# DC-EX 125



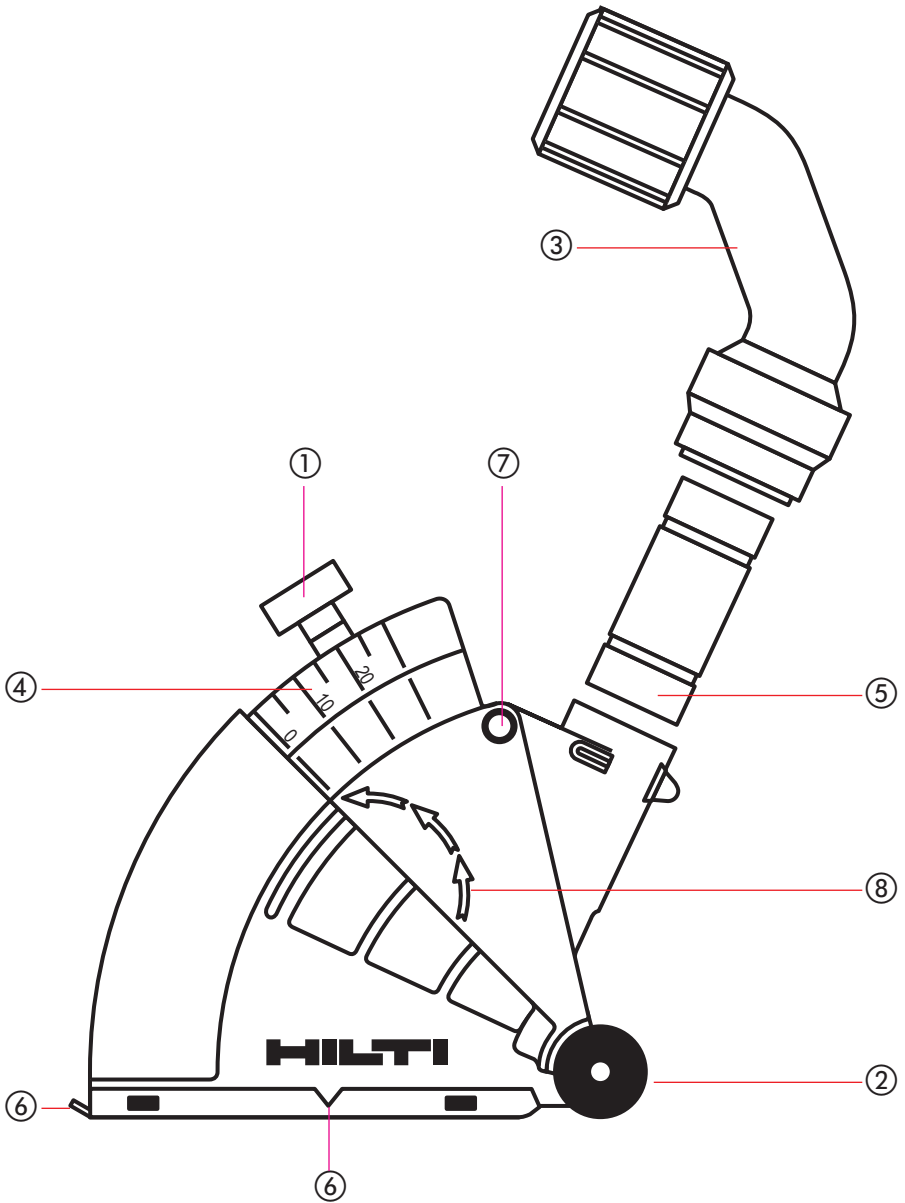
## Operating instructions

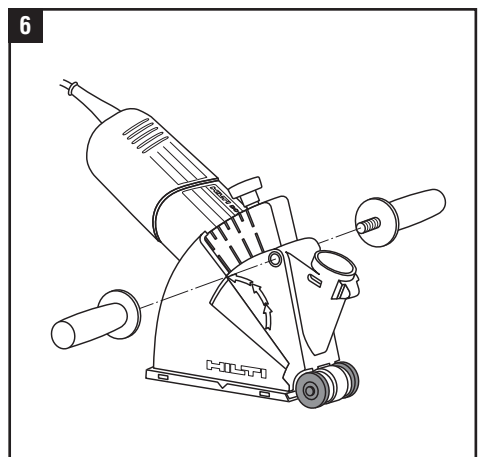
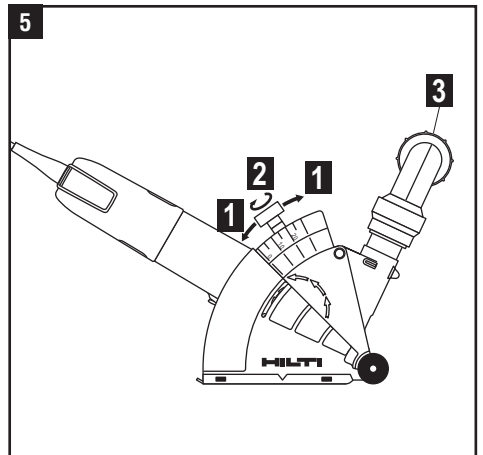
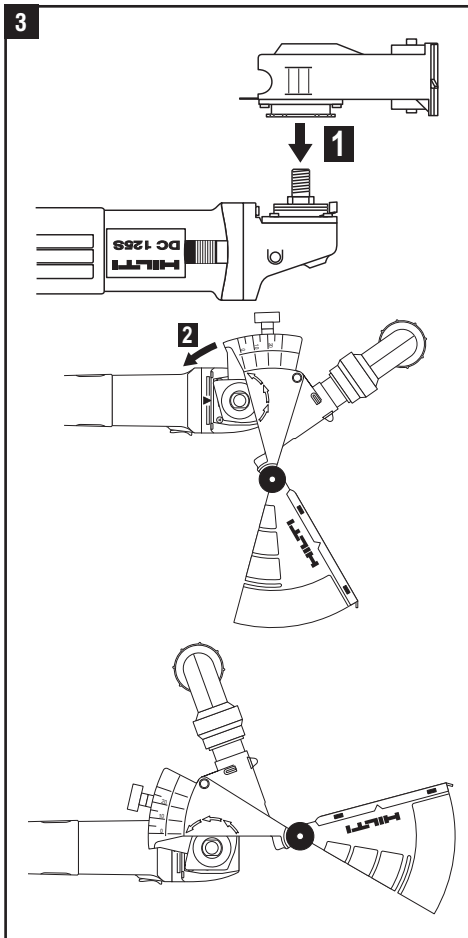
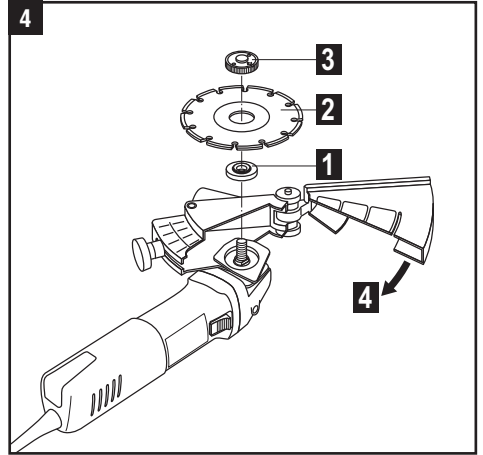
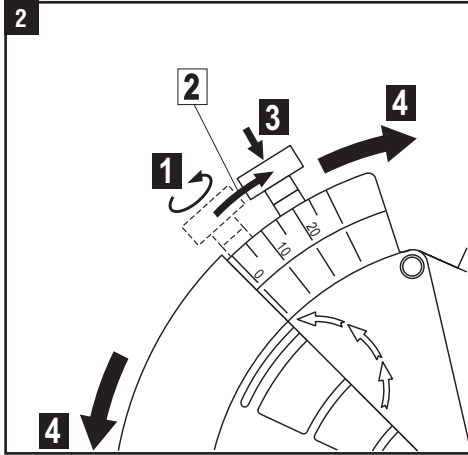
5– 8



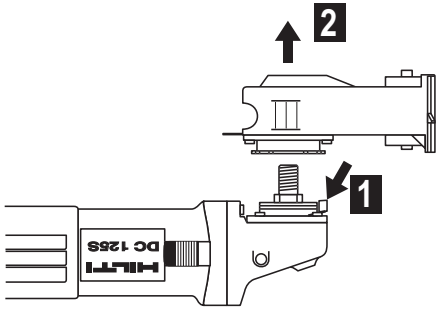
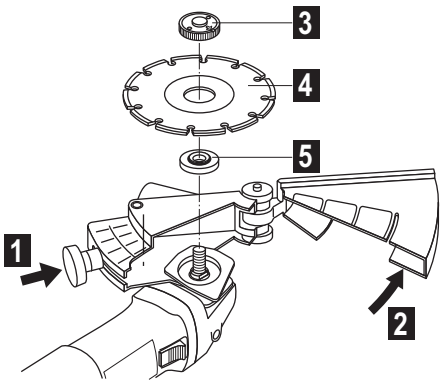
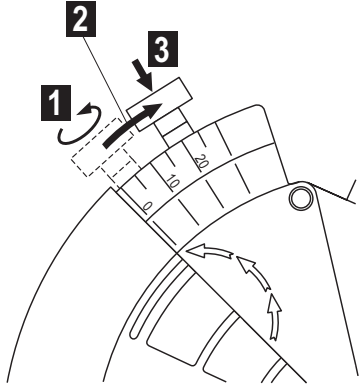
334784

# HILTI





7



# DC-EX 125 dust extraction hood

To avoid incorrect operation, please also carefully read the operating instructions for the associated electric tool before using the equipment for the first time.

## General information

Always disconnect the supply cord plug from the mains socket before doing any work on the electric tool and hood.

**1** The numbers refer to the illustrations. The illustrations can be found on the fold-out left-hand cover pages. Keep these pages open while you read the operating instructions.

## Description **1**

- ① Knob for locking or opening the hood
- ② Wheels
- ③ Hilti-type connector
- ④ Cutting depth scale
- ⑤ Connecting piece
- ⑥ Cutting position mark
- ⑦ Threaded sleeve for side handle
- ⑧ Arrow indicating direction of rotation

Contents	Page
General information	5
Technical data	6
Assembling the system	6
Fitting the connector	6
Depth adjustment	6
Fitting the side handle	6
Removing the disc	6
Items supplied	6
Safety precautions	7

## Technical data

Weight:	0.8 kg
Dimensions (l×w×h):	195×60×185 mm
Disc diameter:	125 mm
Pivoting connector for Hilti-type and other standard extraction systems	
Cutting position mark (for cutting accurately to a line)	
Two wheels for easy advance	

## Assembling the system

### Fitting the connector

Push the connecting piece ⑤ into the opening in the dust extraction hood (engages with a click). Fit the connector to the connecting piece (pivotable).

### Opening the extraction hood ②

- Bring the locking / opening knob ① to the 20 mm position ② and unscrew it completely.
- Push the locking / opening knob down firmly ③. The hood can then be opened ④.

### Fitting the hood to the tool ③

- Press the spindle collar of the tool, against spring pressure, into position in the dust extraction hood ① as illustrated.
- When the dust extraction hood (opening has locating lugs) has been felt to engage in the correct position, the hood can be secured to the tool by turning it against the direction of rotation and into its final position ②.

## Fitting the disc ④

- Place the clamping flange ① on the spindle of the electric tool and then fit the diamond cutting disc ②, observing the correct direction of rotation (indicated by the arrow). Screw on and tighten the clamping nut or Kwik-lock nut ③. (Please refer to the operating instructions for the electric tool.)
- Close the dust extraction hood by bringing the two halves of the hood together ④.

## Depth adjustment ⑤

- Select the desired depth ② and tighten the locking knob ①.
- Connect the dust extraction system ③.



### Caution

The locking knob must always be tightened securely before beginning work in order to prevent the hood from opening by itself.

## Fitting the side handle ⑥

- The side handle can be screwed into the threaded sleeves provided on either side, for use by left-handed or right-handed persons.
- The side handle must always be fitted when the dust extraction hood is in use.

## Removing the disc ⑦

- Open the hood (as described at "Opening the hood").
- Remove the diamond cutting disc ④ by releasing and unscrewing the clamping nut or Kwik-lock nut ③. Remove the clamping flange ⑤.
- Press the release button ① at the spindle collar of the electric tool. The hood can then be removed from the tool ② by turning it to the right (please refer to the symbol on the casing of the hood).

## Items supplied

DC-EX 125 dust extraction hood, connector for Hilti extraction system, connecting piece for Hilti-type connector, operating instructions



## Safety precautions

### Caution

The following fundamental safety precautions must always be observed when using electric tools/machines as protection against electric shock, the risk of injury and fire hazards. Please read and take note of these precautions before you use the tool/machine. Keep these safety precautions in a safe place!

- 1** Keep your place of work clean and tidy. Disorder where you are working creates a potential risk of accidents.
- 2** Make allowance for influence from the surroundings. Don't expose your electric tools/machines to rain. Don't use electric tools/machines in damp or wet surroundings. Make sure the work area is well lit. Don't use electric tools/machines near inflammable liquids or gases.
- 3** Always protect yourself against electric shock. Never touch grounding (earthing) parts e.g. pipes, radiators, cookers, ovens, refrigerators.
- 4** Keep children away. Don't let other persons touch the electric tool/machine or supply cord. Keep them away from your work area.
- 5** Keep your electric tool/machine in a safe place. Electric tools/machines not in use should be kept in a dry locked-up place out of the reach of children.
- 6** Don't overload your electric tools/machines. You will do your work better and safer in the specified performance/rating range.
- 7** Always use the right electric tool/machine for the job. Don't use underpowered tools/machines or attachments for heavier duty jobs. Don't use electric tools/ machines for work and purposes for which they are not intended, e.g. don't use a hand-held circular saw to cut down trees or cut up branches.
- 8** Wear suitable clothing. Don't wear loose clothing or jewellery – they could be caught up in moving parts. When working outside, the use of rubber gloves and non-slip shoes is recommended. Wear a helmet or cap if you have long hair.
- 9** Always wear protective goggles. If work causes dust, wear a mask as well.
- 10** Don't use the supply cord for any other purpose. Don't carry the electric tool/ machine by the supply cord and don't pull the plug out of the socket/receptacle by pulling the supply cord. Protect the cable from heat, oil and sharp edges.
- 11** Secure the workpiece. Use a clamping device or vice to hold the workpiece. It is secured more reliably in this

way than in your hand and you can then hold and operate your electric tool/machine with both hands.

- 12** Don't bend over too far when working. Avoid an unusual stance. Make sure that you are standing firmly and keep your balance at all times.
- 13** Take good care of your electric tools/machines. Keep the drill bits, insert tools etc. sharp and clean so that you can do your work better, safer and more reliably. Observe the cleaning and maintenance regulations and the instructions for changing drill bits, insert tools etc. Check the supply cord regularly and have it renewed by a recognized specialist if it is damaged. Check the extension supply cord regularly and, if it is damaged, replace it. Keep grips and side handles dry and free from oil or grease.
- 14** Always pull out the plug from the mains if the electric tool/machine is not in use, prior to cleaning and maintenance work and when changing a drill bit, saw blade or insert tools of any kind.
- 15** Never leave a key in place. Always check before switching on that the key or adjusting tools have been removed.
- 16** Avoid any unintentional start-up. Never carry a plugged-in electric tool/machine with your finger on the switch. Always make sure that the switch is off when plugging the electric tool/machine into the main electric supply.
- 17** If an extension supply cord is used outside, only use one which has been approved for the purpose and is correspondingly marked.
- 18** Be attentive at all times. Keep your eye on your work. Remain in a sensible frame of mind and don't use the electric tool/machine if you cannot concentrate completely.
- 19** Check your electric tool/machine for damage. You must check the safety devices or damaged parts carefully for perfect functioning in keeping with the intended purpose before using the electric tool/machine further. Check whether the moving parts function properly, whether they aren't sticking, whether any parts are broken, whether all other parts work properly and are fitted correctly, and make sure that all other conditions which can influence operation and running of the electric tool/machine are as they should be. Damaged guards and protective devices and parts must be repaired properly by an authorized service workshop or replaced provided that nothing else is stated in the operating instructions. Damaged switches must also be replaced in the recognized service workshop. Never use electric tools/machines which cannot be switched on and off by the switch.
- 20** Caution ! For your own safety's sake, only use accessories and attachments which are specified in the operating instructions or in the respective catalogue. The use of accessories or insert tools or attachments other than those specified in the operating instructions can result in personal injury to you.

**21** Only have repairs carried out by recognized electrical specialists. This electric tool/machine complies with respective safety regulations. Repairs may only be carried out by an electrical specialist otherwise an accident hazard for the operator can exist.

**22** Connect dust extraction equipment. If devices are provided for the connection of dust extraction and collection facilities ensure these are connected and properly used.

**23** When working on electrically conductive materials, conductive dust may collect inside an electric tool, causing leakage of electric voltage and a possible risk of electric shock. Work of this kind, for example, includes grinding cast iron, chiselling or other operations using impact tools on solid metal, overhead drilling in metal and, under certain conditions, drilling through steel reinforcement in concrete ceilings. Electric tools or machines used for applications of this kind must be inspected at regular, short intervals by a recognised specialist or at a Hilti service workshop in order to ensure that no hazardous deposits of conductive dust are present inside the tool and to confirm the integrity of the tool's electrical insulation.

**24** The dust extraction hood may be used only in conjunction with diamond cutting discs and abrasive cutting discs for mineral materials.

**25** Check the tool, the dust extraction hood and the disc for possible damage. A damaged tool, dust extraction hood or disc must not be used.



**Hilti Corporation**

---

FL-9494 Schaan

Tel.: +423 / 234 21 11

Fax: +423 / 234 29 65

[www.hilti.com](http://www.hilti.com)