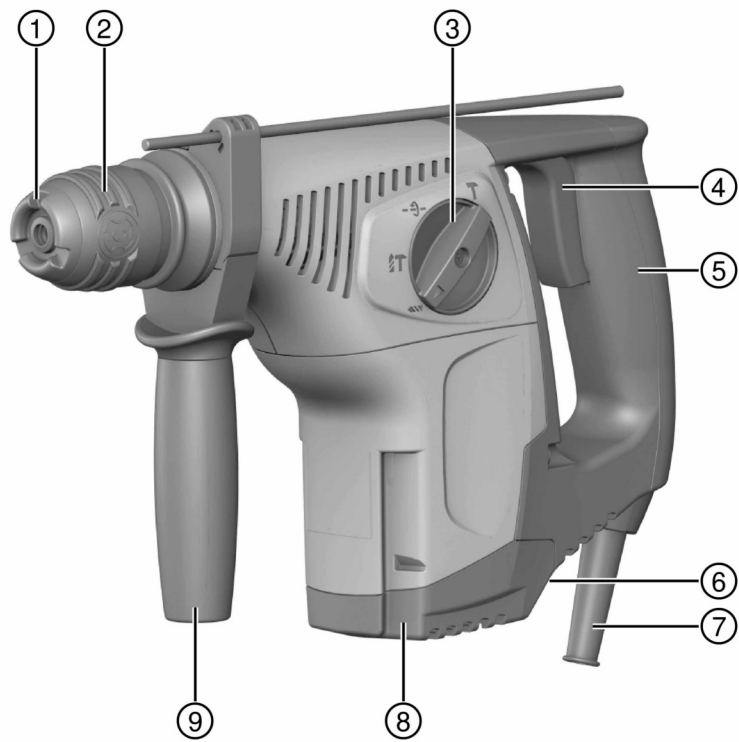
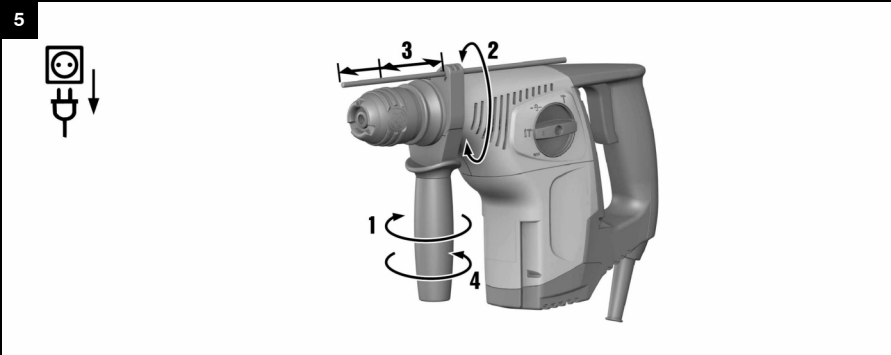
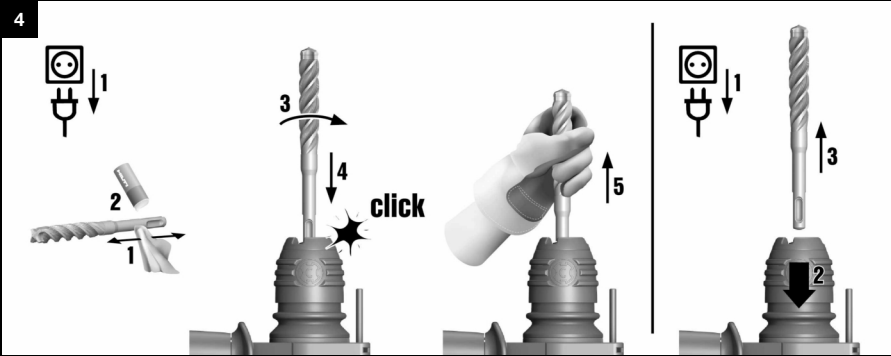
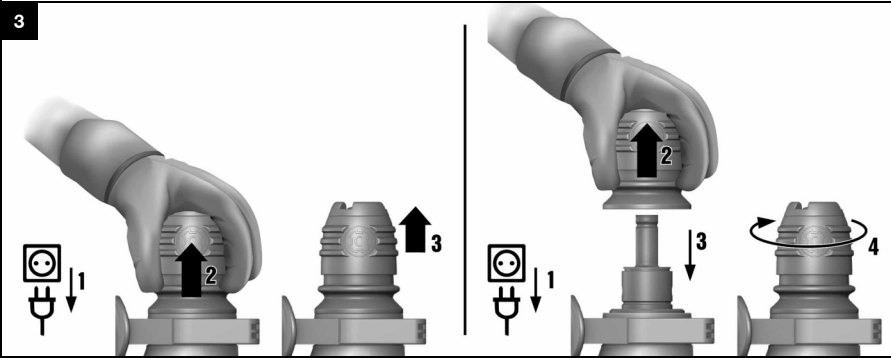
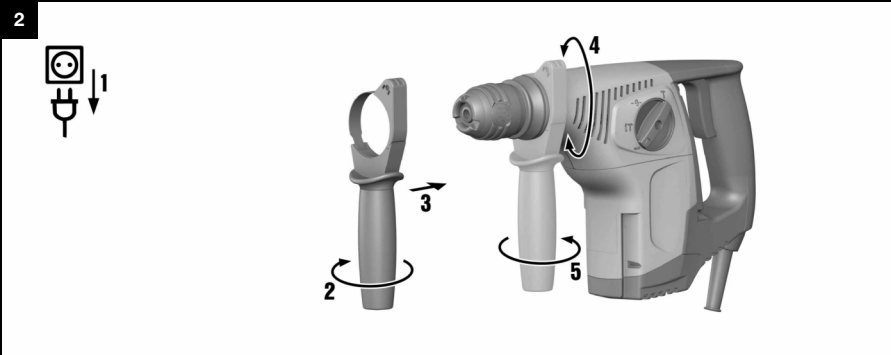




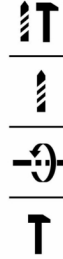
TE 7-C

English	1
Français	8
Español	16
Português	25

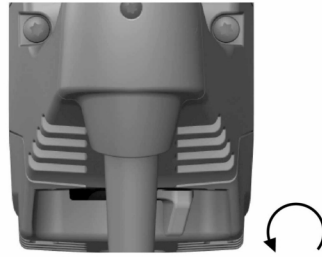
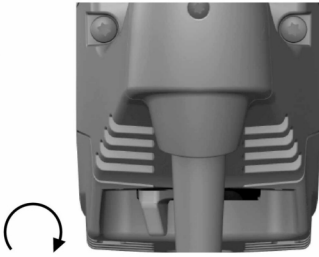




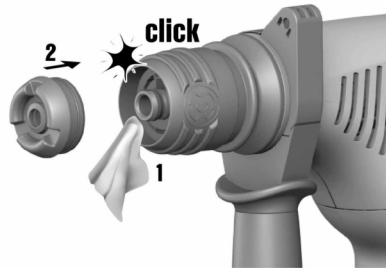
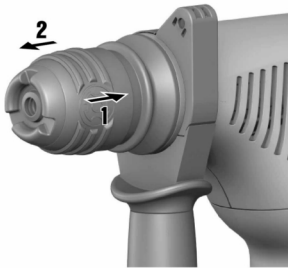
6



7



8



TE 7-C

en	Original operating instructions	1
fr	Notice d'utilisation originale	8
es	Manual de instrucciones original	16
pt	Manual de instruções original	25

Original operating instructions

1 Information about the operating instructions

1.1 About these operating instructions

- Read these operating instructions before the product is used or operated for the first time. This is a prerequisite for safe, trouble-free handling and use of the product.
- Observe the safety instructions and warnings in these operating instructions and on the product.
- Always keep the operating instructions with the product and make sure that the product is accompanied by these operating instructions only, when the product is given to other persons.

1.2 Explanation of symbols

1.2.1 Warnings

Warnings alert persons to hazards that occur when handling or using the product. The following signal words are used:

DANGER

DANGER !

- ▶ Draws attention to imminent danger that will lead to serious personal injury or fatality.

WARNING

WARNING !

- ▶ Draws attention to a potential threat of danger that can lead to serious injury or fatality.





CAUTION

CAUTION !

- ▶ Draws attention to a potentially dangerous situation that could lead to personal injury or damage to the equipment or other property.




1.2.2 Symbols in the operating instructions

The following symbols are used in these operating instructions:

	Comply with the operating instructions
	Instructions for use and other useful information
	Dealing with recyclable materials
	Do not dispose of electric equipment and batteries as household waste

1.2.3 Symbols in illustrations

The following symbols are used in illustrations:

	These numbers refer to the illustrations at the beginning of these operating instructions.
3	The numbers in illustrations refer to important work steps or to components important for the work steps. In the text, the corresponding numbers draw attention to these work steps or components, e.g. (3) .
	Item reference numbers are used in the overview illustration and refer to the numbers used in the key in the product overview section.
	This symbol is intended to draw your special attention to certain points for handling the product.



1.3 Product-dependent symbols

1.3.1 Symbols

The following symbols are used:

	Drilling without hammer action
	Drilling with hammering action (hammer drilling)
	Chiseling
	Chisel positioning
n_0	Rated speed under no load
/min	Revolutions per minute
	Protection class II (double-insulated)

1.4 Product information

Hilti products are designed for professional use and may be operated, serviced and maintained only by trained, authorized personnel. This personnel must be specifically informed about the possible hazards. The product and its ancillary equipment can present hazards if used incorrectly by untrained personnel or if used not in accordance with the intended use.

The type designation and serial number are printed on the rating plate.

- ▶ Write down the serial number in the table below. You will be required to state the product details when contacting Hilti Service or your local Hilti organization to inquire about the product.

Product information

Rotary hammer	TE 7-C
Generation	01
Serial no.	

1.5 Declaration of conformity

We declare, on our sole responsibility, that the product described here complies with the applicable directives and standards. A copy of the declaration issued by the certification department can be found at the end of this documentation.

The technical documentation is filed here:

Hilti Entwicklungsgesellschaft mbH | Tool Certification | Hiltistrasse 6 | 86916 Kaufering, Germany

2 Safety

2.1 General power tool safety warnings

⚠ WARNING Read all safety warnings, instructions, illustrations and specifications provided with this power tool. Failure to follow all instructions listed below may result in electric shock, fire and/or serious injury. **Save all warnings and instructions for future reference.**

The term "power tool" in the warnings refers to your mains-operated (corded) power tool or battery-operated (cordless) power tool.

Work area safety

- ▶ **Keep work area clean and well lit.** Cluttered or dark areas invite accidents.
- ▶ **Do not operate power tools in explosive atmospheres, such as in the presence of flammable liquids, gases or dust.** Power tools create sparks which may ignite the dust or fumes.
- ▶ **Keep children and bystanders away while operating a power tool.** Distractions can cause you to lose control.

Electrical safety

- ▶ **Power tool plugs must match the outlet. Never modify the plug in any way. Do not use any adapter plugs with earthed (grounded) power tools.** Unmodified plugs and matching outlets will reduce risk of electric shock.



- ▶ **Avoid body contact with earthed or grounded surfaces, such as pipes, radiators, ranges and refrigerators.** There is an increased risk of electric shock if your body is earthed or grounded.
- ▶ **Do not expose power tools to rain or wet conditions.** Water entering a power tool will increase the risk of electric shock.
- ▶ **Do not abuse the cord. Never use the cord for carrying, pulling or unplugging the power tool. Keep cord away from heat, oil, sharp edges or moving parts.** Damaged or entangled cords increase the risk of electric shock.
- ▶ **When operating a power tool outdoors, use an extension cord suitable for outdoor use.** Use of a cord suitable for outdoor use reduces the risk of electric shock.
- ▶ **If operating a power tool in a damp location is unavoidable, use a residual current device (RCD) protected supply.** Use of an RCD reduces the risk of electric shock.

Personal safety

- ▶ **Stay alert, watch what you are doing and use common sense when operating a power tool. Do not use a power tool while you are tired or under the influence of drugs, alcohol or medication.** A moment of inattention while operating power tools may result in serious personal injury.
- ▶ **Use personal protective equipment. Always wear eye protection.** Protective equipment such as a dust mask, non-skid safety shoes, hard hat or hearing protection used for appropriate conditions will reduce personal injuries.
- ▶ **Prevent unintentional starting. Ensure the switch is in the off-position before connecting to power source and/or battery pack, picking up or carrying the tool.** Carrying power tools with your finger on the switch or energising power tools that have the switch on invites accidents.
- ▶ **Remove any adjusting key or wrench before turning the power tool on.** A wrench or a key left attached to a rotating part of the power tool may result in personal injury.
- ▶ **Do not overreach. Keep proper footing and balance at all times.** This enables better control of the power tool in unexpected situations.
- ▶ **Dress properly. Do not wear loose clothing or jewellery. Keep your hair and clothing away from moving parts.** Loose clothes, jewellery or long hair can be caught in moving parts.
- ▶ **If devices are provided for the connection of dust extraction and collection facilities, ensure these are connected and properly used.** Use of dust collection can reduce dust-related hazards.
- ▶ **Do not let familiarity gained from frequent use of tools allow you to become complacent and ignore tool safety principles.** A careless action can cause severe injury within a fraction of a second.

Power tool use and care

- ▶ **Do not force the power tool. Use the correct power tool for your application.** The correct power tool will do the job better and safer at the rate for which it was designed.
- ▶ **Do not use the power tool if the switch does not turn it on and off.** Any power tool that cannot be controlled with the switch is dangerous and must be repaired.
- ▶ **Disconnect the plug from the power source and/or remove the battery pack, if detachable, from the power tool before making any adjustments, changing accessories, or storing power tools.** Such preventive safety measures reduce the risk of starting the power tool accidentally.
- ▶ **Store idle power tools out of the reach of children and do not allow persons unfamiliar with the power tool or these instructions to operate the power tool.** Power tools are dangerous in the hands of untrained users.
- ▶ **Maintain power tools and accessories. Check for misalignment or binding of moving parts, breakage of parts and any other condition that may affect the power tool's operation. If damaged, have the power tool repaired before use.** Many accidents are caused by poorly maintained power tools.
- ▶ **Keep cutting tools sharp and clean.** Properly maintained cutting tools with sharp cutting edges are less likely to bind and are easier to control.
- ▶ **Use the power tool, accessories and tool bits etc. in accordance with these instructions, taking into account the working conditions and the work to be performed.** Use of the power tool for operations different from those intended could result in a hazardous situation.
- ▶ **Keep handles and grasping surfaces dry, clean and free from oil and grease.** Slippery handles and grasping surfaces do not allow for safe handling and control of the tool in unexpected situations.

Service

- ▶ **Have your power tool serviced by a qualified repair person using only identical replacement parts.** This will ensure that the safety of the power tool is maintained.



2.2 Hammer safety warnings

Safety instructions for all operations

- ▶ **Wear ear protectors.** Exposure to noise can cause hearing loss.
- ▶ **Use auxiliary handle(s), if supplied with the tool.** Loss of control can cause personal injury.
- ▶ **Hold the power tool by insulated gripping surfaces, when performing an operation where the cutting accessory may contact hidden wiring or its own cord.** Cutting accessory contacting a "live" wire may make exposed metal parts of the power tool "live" and could give the operator an electric shock.

Safety instructions when using long drill bits with rotary hammers

- ▶ **Always start drilling at low speed and with the bit tip in contact with the workpiece.** At higher speeds, the bit is likely to bend if allowed to rotate freely without contacting the workpiece, resulting in personal injury.
- ▶ **Apply pressure only in direct line with the bit and do not apply excessive pressure.** Bits can bend causing breakage or loss of control, resulting in personal injury.

2.3 Additional safety instructions

Personal safety

- ▶ **Modification of the power tool is not permitted.**
- ▶ **Keep the grips dry, clean and free from oil and grease.**
- ▶ **Check that the side handle is fitted correctly and tightened securely. Always hold the tool securely with both hands on the grips provided.**
- ▶ **Improve the blood circulation in your fingers by relaxing your hands and exercising your fingers during breaks between working.**
- ▶ **The power tool is not intended for use by debilitated persons who have received no special training.**
- ▶ **Keep the power tool out of reach of children.**
- ▶ **Avoid touching rotating parts. Switch the power tool on only after bringing it into position at the workpiece.** Touching rotating parts, especially rotating drill bits or other accessories, may lead to injury.
- ▶ **Dust from materials, such as paint containing lead, some wood species, concrete / masonry / stone containing silica, and minerals as well as metal, may be harmful. Contact with or inhalation of the dust may cause allergic reactions and/or respiratory or other diseases to the operator or bystanders. Certain kinds of dust are classified as carcinogenic such as oak and beech dust, especially in conjunction with additives for wood conditioning (chromate, wood preservative). Material containing asbestos may be handled only by specialists. Use a dust removal system whenever possible. To achieve a high level of dust collection, use a suitable vacuum cleaner. When indicated, wear a respirator appropriate for the type of dust generated. Ensure that the workplace is well ventilated. Follow national requirements for the materials you want to work with.**
- ▶ **Before beginning the work, check the hazard classification of the dust that will be produced. Use an industrial vacuum cleaner with an officially approved protection classification in compliance with locally applicable dust protection regulations.**
- ▶ **Observe the national health and safety requirements.**

Careful handling and use of power tools

- ▶ **Secure the workpiece. Use clamps or a vice to secure the workpiece.** The workpiece is thus held more securely than by hand and both hands remain free to operate the power tool.
- ▶ **Ensure that the accessory tools used have a mounting system that is compatible with the electric tool and that they are secured in the chuck correctly.**
- ▶ **In the event of a power failure or interruption in the electric supply, switch the power tool off, unplug the supply cord and release the switch lockbutton (if applicable).** This will prevent accidental restarting when the electric power returns.

Electrical safety

- ▶ **Before beginning work, check the working area (e.g. using a metal detector) to ensure that no concealed electric cables or gas and water pipes are present.** External metal parts of the tool may become live, for example, when an electric power line is damaged accidentally. This presents a serious risk of electric shock.
- ▶ **Check the tool's supply cord at regular intervals and have it replaced by a qualified specialist if found to be damaged. If the tool's supply cord is damaged it must be replaced with a specially-prepared and approved supply cord available from Hilti Customer Service. Check extension cords at regular intervals and replace them if found to be damaged. Do not touch the supply cord or**



extension cord if it is damaged while working. Disconnect the supply cord plug from the power outlet. Damaged supply cords or extension cords present a risk of electric shock.

- ▶ **Dirty or dusty power tools that have been used frequently for work on conductive materials should be checked at regular intervals at a Hilti Service Center.** Dust (especially dust from conductive materials) or dampness adhering to the surface of the power tool may, under unfavorable conditions, lead to electric shock.

Work area

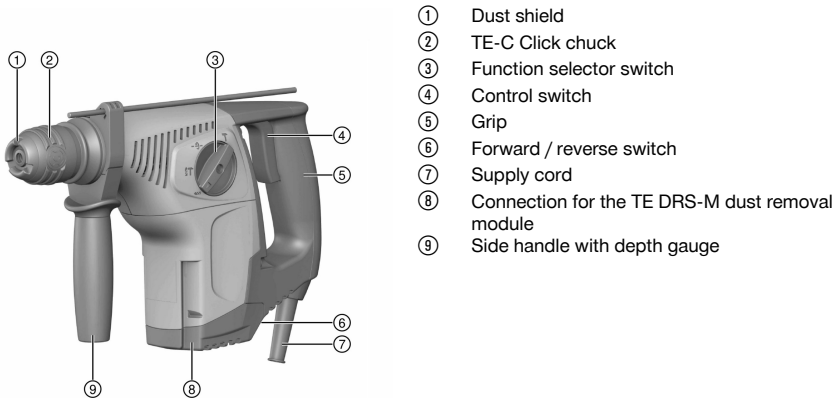
- ▶ **If the work involves breaking right through, take the appropriate safety measures at the opposite side.** Parts breaking away could fall out and / or fall down and injure other persons.

Personal safety

- ▶ **Wear protective gloves.** The rotary hammer may get hot during use. There is a risk of injury (cutting or burning) if the accessory tool is touched while changing it.

3 Description

3.1 Overview of the product



3.2 Intended use

The product described is an electrically powered rotary hammer. It is designed for drilling in concrete, masonry, drywall panel, wood, plastic and metal. The rotary hammer can also be used for light chiseling work on masonry and surface finishing on concrete.

- ▶ The power tool may be operated only when connected to a power supply providing a voltage and frequency in compliance with the information given on its type plate.

3.3 Items supplied

Rotary hammer, side handle, depth gauge, operating instructions.

Other system products approved for use with this product can be found at your local **Hilti Store** or online at: www.hilti.group | USA: www.hilti.com

4 Technical data



For details of the rated voltage, current, frequency and/or input power, please refer to the power tool's country-specific type identification plate.

When powered by a generator or transformer, the generator or transformer's power output must be at least twice the rated input power shown on the rating plate of the power tool. The operating voltage of the transformer or generator must always be within +5% and -15% of the rated voltage of the power tool.



	TE 7-C
Weight	7.7 lb (3.5 kg)
Ø Hammer drill bits	1/4 in ... 1 1/8 in
Ø Hammer drill bits	5 mm ... 28 mm
Ø Drill bits for wood	3/16 in ... 3/4 in
Ø Drill bits for wood	3 mm ... 20 mm
Ø Drill bits for metal	≤ 13 in
Ø Drill bits for metal	≤ 13 mm

5 Operation

Fitting the side handle CAUTION Risk of injury! The depth gauge, if fitted but not used, might hinder the operator. ▶ Remove the depth gauge from the tool.	2
CAUTION Risk of injury! Loss of control over the product. ▶ Check that the side handle is fitted correctly and tightened securely. Check that the clamping band is engaged in the groove in the product.	
Fitting / removing the chuck CAUTION Risk of injury! The depth gauge, if fitted but not used, might hinder the operator. ▶ Remove the depth gauge from the tool. The function selector switch should be set to the T “Chiseling” position when changing the chuck.	3
Fitting / removing the accessory tool Use of unsuitable grease may cause damage to the product. Use only the recommended grease supplied by Hilti.	4
Adjusting the depth gauge	5
Drilling without hammering	6
Drilling with hammering action (hammer drilling)	6
Chiseling T	6
Chisel positioning CAUTION Risk of injury! Loss of control over the chisel direction. ▶ Do not operate the tool when the selector switch is set to “Chisel positioning”. Turn the function selector switch until it engages in the “Chiseling” T position. The chisel can be adjusted to 18 different positions (in 20° increments). This ensures that flat chisels and shaped chisels can always be set to the optimum working position.	6
Forward / reverse	7

6 Care and maintenance

WARNING Electric shock hazard! Attempting care and maintenance with the supply cord connected to a power outlet can lead to severe injury and burns. ▶ Always unplug the supply cord before carrying out care and maintenance tasks.
--



Care

- Carefully remove stubborn dirt from the tool.
- Clean the air vents carefully with a dry brush.
- Use only a slightly damp cloth to clean the casing. Do not use cleaning agents containing silicone as they can attack the plastic parts.

Maintenance



WARNING

Danger of electric shock! Improper repairs to electrical components may lead to serious injuries including burns.

- ▶ Repairs to the electrical section of the tool or appliance may be carried out only by trained electrical specialists.
-
- Check all visible parts and controls for signs of damage at regular intervals and make sure that they all function correctly.
 - Do not operate the product if signs of damage are found or if parts malfunction. Have it repaired immediately by **Hilti Service**.
 - After cleaning and maintenance, fit all guards or protective devices and check that they function correctly.



To help ensure safe and reliable operation, use only genuine Hilti spare parts and consumables. Spare parts, consumables and accessories approved by Hilti for use with the product can be found at your local **Hilti Store** or online at: www.hilti.group.

6.1 Replacing the dust shield

- ▶ Replace the dust shield.

7 Transport and storage

Transport

- ▶ Do not transport this product with an accessory tool installed.
- ▶ Make sure that the equipment is held securely throughout all transport operations.
- ▶ After transporting, always check all visible parts and controls for signs of damage and make sure that they all function correctly.

Storage

- ▶ Always store this product with the electric supply cable unplugged from the electricity supply.
- ▶ Store this product in a dry place, where it cannot be accessed by children or unauthorized persons.
- ▶ After a long period of storage, always check all visible parts and controls for signs of damage and make sure that they all function correctly.

8 Troubleshooting

If the trouble you are experiencing is not listed in this table or you are unable to remedy the problem by yourself, please contact **Hilti Service**.

8.1 Troubleshooting

If the trouble you are experiencing is not listed in this table or you are unable to remedy the problem by yourself, please contact **Hilti Service**.

Trouble or fault	Possible cause	Action to be taken
The power tool doesn't start.	Interruption in the electric supply.	▶ Plug in another electric tool or appliance and check whether it works.
No hammering action.	The power tool is too cold.	▶ Bring the tip of the drill bit into contact with the working surface, switch the rotary hammer on and allow it to run. If necessary, repeat the procedure until the hammering mechanism begins to operate.



Trouble or fault	Possible cause	Action to be taken
No hammering action.	The function selector switch is set to "Drilling without hammering" .	▶ Set the function selector switch to the "Drilling with hammering action" (hammer drilling) position .
The rotary hammer doesn't achieve full power.	The gauge (cross section) of the extension cord conductors is inadequate.	▶ Use an extension cord with an adequate conductor cross section.
	The control switch is not fully pressed.	▶ Press the control switch as far as it will go.
The drill bit does not rotate.	The function selector switch is not engaged or is in the "Chiseling" or "Chisel adjustment" position.	▶ Set the function selector switch to "Drilling without hammering" or "Hammer drilling" .
The drill bit cannot be released.	The chuck is not pulled back fully.	▶ Pull the tool lock back as far as it will go and remove the accessory tool.
The drill bit makes no progress.	The power tool has been set to reverse rotation.	▶ Set the power tool to forward rotation.

9 Disposal

Most of the materials from which Hilti tools and appliances are manufactured can be recycled. The materials must be correctly separated before they can be recycled. In many countries, your old tools, machines or appliances can be returned to Hilti for recycling. Ask Hilti Service or your Hilti representative for further information.



- ▶ Do not dispose of power tools, electronic equipment or batteries as household waste!

10 Manufacturer's warranty

- ▶ Please contact your local Hilti representative if you have questions about the warranty conditions.

Notice d'utilisation originale

1 Indications relatives au mode d'emploi

1.1 À propos de ce mode d'emploi

- Avant de mettre l'appareil en marche, lire impérativement ce mode d'emploi. C'est la condition préalablement requise pour assurer la sécurité du travail et un maniement sans perturbations.
- Bien respecter les consignes de sécurité et les avertissements du présent mode d'emploi ainsi que celles figurant sur le produit.
- Toujours conserver le mode d'emploi à proximité du produit et uniquement transmettre le produit à des tiers accompagné de ce mode d'emploi.

1.2 Explication des symboles

1.2.1 Avertissements

Les avertissements attirent l'attention sur des dangers liés à l'utilisation du produit. Les termes de signalisation suivants sont utilisés :

DANGER

DANGER !

- ▶ Pour un danger imminent qui peut entraîner de graves blessures corporelles ou la mort.



AVERTISSEMENT

AVERTISSEMENT !

- Pour un danger potentiel qui peut entraîner de graves blessures corporelles ou la mort.

ATTENTION

ATTENTION !

- Pour une situation potentiellement dangereuse pouvant entraîner des blessures corporelles ou des dégâts matériels.

1.2.2 Symboles dans le manuel d'utilisation

Les symboles suivants sont utilisés dans le présent manuel d'utilisation :

	Respecter le manuel d'utilisation
	Pour des conseils d'utilisation et autres informations utiles
	Maniement des matériaux recyclables
	Ne pas jeter les appareils électriques et les accus dans les ordures ménagères

1.2.3 Symboles dans les illustrations

Les symboles suivants sont utilisés dans les illustrations :

	Ces chiffres renvoient à l'illustration correspondante au début du présent manuel d'utilisation.
	La numérotation dans les illustrations indique les étapes de travail importantes ou les composants importants pour les étapes de travail. Dans le texte, ces étapes de travail ou composants sont mis en évidence avec les numéros correspondants, par ex. (3) .
	Les numéros de position sont utilisés dans l'illustration Vue d'ensemble et renvoient aux numéros des légendes dans la section Vue d'ensemble du produit .
	Ce signe doit inviter à manier le produit en faisant particulièrement attention.

1.3 Symboles spécifiques au produit

1.3.1 Symboles

Les symboles suivants sont utilisés :

	Perçage sans percussion
	Perçage avec percussion
	Burinage
	Positionnement du burin
n_0	Vitesse nominale à vide
/min	Tours par minute
	Classe de protection II (double isolation)

1.4 Informations produit

Les produits **Hilti** sont destinés aux professionnels et ne doivent être utilisés, entretenus et réparés que par un personnel autorisé et formé. Ce personnel doit être au courant des dangers inhérents à l'utilisation de l'appareil. Le produit et ses accessoires peuvent s'avérer dangereux s'ils sont utilisés de manière incorrecte par un personnel non qualifié ou de manière non conforme à l'usage prévu.

La désignation du modèle et le numéro de série figurent sur sa plaque signalétique.



- ▶ Inscrivez le numéro de série dans le tableau suivant. Les informations produit vous sont demandées lorsque vous contactez nos revendeurs ou services après-vente.

Caractéristiques produit

Perforateur-burineur	TE 7-C
Génération	01
N° de série	

1.5 Déclaration de conformité

Nous déclarons sous notre seule et unique responsabilité que le produit décrit ici est conforme aux directives et normes en vigueur. Une copie de l'attestation délivrée par l'organisme de certification se trouve en fin de la présente documentation.

Pour obtenir les documentations techniques, s'adresser à :

Hilti Entwicklungsgesellschaft mbH | Zulassung Geräte | Hiltistraße 6 | 86916 Kaufering, DE

2 Sécurité

2.1 Indications générales de sécurité pour les appareils électriques

⚠ AVERTISSEMENT Lire toutes les consignes de sécurité et instructions, illustrations, illustrations et caractéristiques techniques, qui accompagnent cet outil électroportatif. Tout manquement à l'observation des instructions suivantes risque de provoquer une électrocution, un incendie et/ou de graves blessures.

Les consignes de sécurité et instructions doivent être intégralement conservées pour les utilisations futures.

La notion d'« outil électroportatif » mentionnée dans les consignes de sécurité se rapporte à des outils électriques raccordés au secteur (avec câble d'alimentation) et à des outils électriques sur accu (sans câble d'alimentation).

Sécurité sur le lieu de travail

- ▶ **Conserver la zone de travail propre et bien éclairée.** Un lieu de travail en désordre ou mal éclairé augmente le risque d'accidents.
- ▶ **Ne pas faire fonctionner les outils électriques en atmosphère explosive et où se trouvent des liquides, des gaz ou poussières inflammables.** Les outils électriques produisent des étincelles qui peuvent enflammer les poussières ou les fumées.
- ▶ **Maintenir les enfants et les personnes présentes à l'écart pendant l'utilisation de l'outil électroportatif.** En cas d'inattention il y a risque de perdre le contrôle de l'appareil.

Sécurité relative au système électrique

- ▶ **La fiche de secteur de l'outil électroportatif doit être adaptée à la prise de courant. Ne jamais modifier la fiche de quelque façon que ce soit. Ne pas utiliser d'adaptateurs avec des outils électriques à branchement de terre.** Des fiches non modifiées et des prises de courant adaptées réduiront le risque de choc électrique.
- ▶ **Éviter le contact physique avec des surfaces mises à la terre tels que tuyaux, radiateurs, cuisinières et réfrigérateurs.** Il y a un risque élevé de choc électrique au cas où votre corps serait relié à la terre.
- ▶ **Ne pas exposer les outils électroportatifs à la pluie ou à l'humidité.** La pénétration d'eau à l'intérieur d'un outil électroportatif augmentera le risque d'un choc électrique.
- ▶ **Ne jamais utiliser le câble de raccordement à d'autres fins que celles prévues, telles que pour porter, accrocher ou débrancher l'outil électroportatif de la prise de courant. Maintenir le câble de raccordement à l'écart de la chaleur, des parties grasses, des bords tranchants ou des parties en mouvement.** Des câbles de raccordement endommagés ou emmêlés augmentent le risque de choc électrique.
- ▶ **Si l'outil électroportatif est utilisé à l'extérieur, utiliser uniquement des câbles de rallonge homologués pour les applications extérieures.** L'utilisation d'un câble de rallonge homologué pour les applications extérieures réduit le risque d'un choc électrique.
- ▶ **Si l'utilisation de l'outil électrique dans un environnement humide ne peut pas être évitée, utiliser un interrupteur de protection contre les courants de court-circuit.** L'utilisation d'un tel interrupteur de protection réduit le risque d'une décharge électrique.

Sécurité des personnes

- ▶ **Rester vigilant, surveiller ce que l'on fait. Faire preuve de bon sens en utilisant l'outil électroportatif. Ne pas utiliser l'outil électroportatif en étant fatigué ou sous l'emprise de l'alcool, de drogues ou**



de médicaments. Un moment d'inattention lors de l'utilisation de l'outil électroportatif peut entraîner des blessures graves.

- ▶ **Utiliser un équipement de protection personnel et toujours porter une protection pour les yeux.** Les équipements de protection personnels tels que masque antipoussière, chaussures de sécurité antidérapantes, casque de protection ou protection acoustique suivant l'utilisation de l'outil électroportatif, réduiront le risque de blessures des personnes.
- ▶ **Éviter une mise en service par mégarde. S'assurer que l'outil électroportatif est arrêté avant de le brancher à la source de courant et/ou à l'accu, de le prendre ou de le porter.** Le fait de porter l'outil électroportatif avec le doigt sur l'interrupteur ou de brancher l'appareil sur la source de courant lorsque l'interrupteur est en position de fonctionnement peut entraîner des accidents.
- ▶ **Retirer tout outil de réglage ou toute clé avant de mettre l'outil électroportatif en fonctionnement.** Une clé ou un outil se trouvant sur une partie en rotation peut causer des blessures.
- ▶ **Adopter une bonne posture. Veiller à toujours garder une position stable et équilibrée.** Cela permet un meilleur contrôle de l'outil électroportatif dans des situations inattendues.
- ▶ **S'habiller de manière adaptée. Ne pas porter de vêtements amples ni de bijoux. Garder les cheveux, les vêtements et les gants à distance des parties en mouvement.** Des vêtements amples, des bijoux ou des cheveux longs peuvent être happés par des parties en mouvement.
- ▶ **Si des dispositifs servant à aspirer ou à recueillir les poussières doivent être utilisés, s'assurer qu'ils sont effectivement raccordés et correctement utilisés.** L'utilisation d'un dispositif d'aspiration de la poussière peut réduire les risques dus aux poussières.
- ▶ **Ne pas sous-estimer les mesures de sécurité à prendre et ne pas ignorer sciemment les règles de sécurité applicables aux outils électriques, même si l'on est utilisateur chevronné après de fréquentes utilisations de l'outil électroportatif.** Un manque d'attention peut conduire à de graves blessures en quelques fractions de seconde.

Utilisation et maniement de l'outil électroportatif

- ▶ **Ne pas forcer l'appareil. Utiliser l'outil électroportatif adapté au travail à effectuer.** Un outil électroportatif approprié réalisera mieux le travail et de manière plus sûre au régime pour lequel il a été conçu.
- ▶ **Ne pas utiliser d'outil électroportatif dont l'interrupteur est défectueux.** Tout outil électroportatif qui ne peut plus être mis en ou hors fonctionnement est dangereux et doit être réparé.
- ▶ **Débrancher la fiche de la prise de courant et/ou l'accu amovible avant d'effectuer des réglages sur l'appareil, de changer les accessoires, ou de ranger l'appareil.** Cette mesure de précaution empêche une mise en fonctionnement par mégarde de l'outil électroportatif.
- ▶ **Conserver les outils électroportatifs non utilisés hors de portée des enfants. Ne permettre l'utilisation de l'appareil à aucune personne qui ne soit pas familiarisée avec celui-ci ou qui n'a pas lu ces instructions.** Les outils électroportatifs sont dangereux lorsqu'ils sont entre les mains de personnes non initiées.
- ▶ **Prendre soin des outils électroportatifs et des accessoires. Vérifier que les parties en mouvement fonctionnent correctement et qu'elles ne sont pas coincées, et contrôler si des parties sont cassées ou endommagées de sorte que le bon fonctionnement de l'outil électroportatif s'en trouve entravé. Faire réparer les parties endommagées avant d'utiliser l'appareil.** De nombreux accidents sont dus à des outils électroportatifs mal entretenus.
- ▶ **Garder les outils de coupe affûtés et propres.** Des outils destinés à couper correctement entretenus avec des arêtes de coupe tranchantes sont moins susceptibles de bloquer et sont plus faciles à contrôler.
- ▶ **L'outil électroportatif, les accessoires, les outils amovibles, etc. doivent être utilisés conformément à ces instructions. Tenir également compte des conditions de travail et du travail à réaliser.** L'utilisation des outils électroportatifs à d'autres fins que celles prévues peut entraîner des situations dangereuses.
- ▶ **Veiller à ce que les poignées et surfaces de préhension soient toujours être sèches, propres et exempts de traces de graisse ou d'huile.** Avec des poignées et surfaces de préhension glissantes, la sécurité et le contrôle de l'outil électroportatif ne peuvent être assurés dans des situations inopinées.

Service

- ▶ **L'outil électroportatif doit uniquement être réparé par un personnel qualifié, utilisant exclusivement des pièces de rechange d'origine.** Ceci permet d'assurer la sécurité de l'outil électroportatif.

2.2 Indications générales de sécurité applicables aux burineurs

Consignes de sécurité pour tous les travaux

- ▶ **Porter un casque antibruit.** Le bruit peut entraîner des pertes auditives.
- ▶ **Utiliser la poignée supplémentaire livrée avec l'appareil.** La perte de contrôle peut entraîner des blessures.



- ▶ Tenir l'appareil par les surfaces isolées des poignées lors des travaux pendant lesquels l'accessoire risque de toucher des câbles électriques cachés ou son propre câble d'alimentation réseau. Le contact avec un câble sous tension risque de mettre les parties métalliques de l'appareil sous tension et de provoquer une décharge électrique.

Consignes de sécurité lors de l'utilisation de la mèche longue

- ▶ **Toujours commencer l'opération de perçage à vitesse réduite et alors que la mèche est en contact avec la pièce travaillée.** En cas de vitesse de rotation plus élevée, la mèche risque de se déformer légèrement si elle peut tourner librement sans contact avec la pièce travaillée et entraîner des blessures.
- ▶ **Ne pas exercer de pression excessive et seulement dans le sens longitudinal.** Les mèches peuvent se tordre et donc se casser, ou il peut y avoir perte de contrôle de l'appareil ce qui entraîne un risque de blessures.

2.3 Consignes de sécurité supplémentaires

Sécurité des personnes

- ▶ **Toute manipulation ou modification de l'appareil est interdite.**
- ▶ **Veiller à ce que les poignées soient toujours sèches, propres et exemptes de traces de graisse et d'huile.**
- ▶ **S'assurer que la poignée latérale est bien montée et correctement serrée. Toujours tenir l'appareil des deux mains par les poignées prévues à cet effet.**
- ▶ **Faire régulièrement des pauses et des exercices de relaxation et de massage des doigts pour favoriser l'irrigation sanguine dans les doigts.**
- ▶ **L'appareil n'est pas destiné à être utilisé par des personnes affaiblies sans encadrement.**
- ▶ **L'appareil doit être tenu à l'écart des enfants.**
- ▶ **Éviter de toucher des pièces en rotation. Brancher l'appareil uniquement dans l'espace de travail.** Le fait de toucher des pièces en rotation, en particulier des outils en rotation, risque d'entraîner des blessures.
- ▶ Les poussières de matériaux telles que des peintures contenant du plomb, certains types de bois, du béton / de la maçonnerie / des pierres naturelles qui contiennent du quartz ainsi que des minéraux et des métaux peuvent être nuisibles à la santé. Le contact ou l'aspiration de poussière peut provoquer des réactions allergiques et/ou des maladies respiratoires de l'utilisateur ou de toute personne se trouvant à proximité. Certaines poussières, telles que des poussières de chêne ou de hêtre, sont considérées comme cancérogènes, en particulier lorsqu'elles sont combinées à des additifs destinés au traitement du bois (chromate, produit de protection du bois). Les matériaux contenant de l'amiante doivent seulement être manipulés par un personnel spécialisé. **Utiliser si possible un dispositif d'aspiration de poussière. Pour une aspiration de poussière efficace, il convient d'utiliser un dépoussiéreur mobile adéquat.** Le cas échéant, porter un masque anti-poussière adapté au type de poussière considérée. Veiller à ce que le poste de travail soit bien ventilé. Respecter les prescriptions locales en vigueur qui s'appliquent aux matériaux travaillés.
- ▶ **Avant le début du travail, prendre connaissance de la classe de risque de la poussière générée lors des travaux. Utiliser un aspirateur avec une classification de sécurité autorisée officiellement et conforme aux dispositions locales concernant les poussières.**
- ▶ **Observer les exigences en matière de sécurité nationales en vigueur.**

Utilisation et emploi soigneux de l'outil électroportatif

- ▶ **Bien fixer la pièce. Utiliser des dispositifs de serrage ou un étau pour fixer la pièce.** Elle sera ainsi mieux tenue qu'à la main, et les deux mains restent en outre libres pour commander l'appareil.
- ▶ **Vérifier que les outils sont bien munis du système d'emmanchement adapté à l'appareil et qu'ils sont toujours correctement verrouillés dans le mandrin.**
- ▶ **En cas de coupure de courant, arrêter l'appareil et retirer la fiche de la prise, et le cas échéant, déverrouiller le dispositif du blocage de variateur électronique de vitesse.** Cette mesure de précaution empêche une mise en fonctionnement par mégarde de l'appareil lorsque le courant est rétabli.

Sécurité relative au système électrique

- ▶ **Avant d'entamer le travail, vérifier, par exemple à l'aide d'un détecteur de métaux, qu'il n'y a pas de câbles ou gaines électriques, tuyaux de gaz ou d'eau cachés dans la zone d'intervention.** Toutes pièces métalliques extérieures de l'appareil peuvent devenir conductrices, par exemple, lorsqu'un câble électrique est endommagé par inadvertance. Cela peut entraîner un grave danger d'électrocution.
- ▶ **Contrôler régulièrement les câbles de raccordement de l'appareil et les faire remplacer par un spécialiste s'ils sont endommagés. Si le câble de raccordement de l'appareil électrique est endommagé, il doit être remplacé par un câble de raccordement spécialement préparé et autorisé,**



disponible auprès du service après-vente. Contrôler régulièrement les câbles de rallonge et les remplacer s'ils sont endommagés. Si le câble d'alimentation réseau ou de rallonge est endommagé pendant le travail, ne pas le toucher. Débrancher la fiche de la prise. Les cordons d'alimentation et câbles de rallonge endommagés représentent un danger d'électrocution.

- ▶ Si le travail s'effectue souvent sur des matériaux conducteurs, faire réviser les appareils encrassés par le S.A.V. Hilti à intervalles réguliers. Dans de mauvaises conditions d'utilisation, la poussière collée à la surface de l'appareil, surtout la poussière de matériaux conducteurs, ou l'humidité, peut entraîner une électrocution.

Place de travail

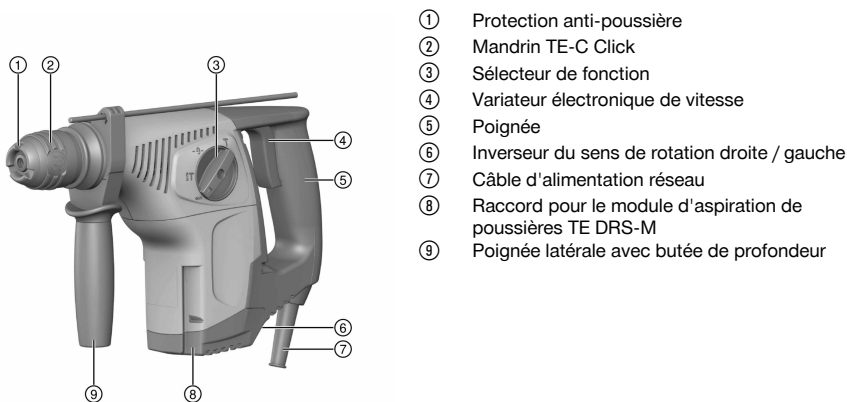
- ▶ Lors de travaux d'ajourage, protéger l'espace du côté opposé aux travaux. Des morceaux de matériaux risquent d'être éjectés et / ou de tomber, et de blesser d'autres personnes.

Sécurité des personnes

- ▶ Porter des gants de protection. Le perforateur-burineur risque de s'échauffer en cours de fonctionnement. En cas de changement d'outils, il y a risque de blessures par coupure et de brûlures au contact avec l'appareil.

3 Description

3.1 Vue d'ensemble du produit



3.2 Utilisation conforme à l'usage prévu

Le produit décrit est un perforateur-burineur électrique. Il est destiné aux travaux de perçage dans le béton, la maçonnerie, le placoplâtre, le bois, le plastique et le métal. Le perforateur-burineur peut également être utilisé pour les travaux de burinage légers sur maçonnerie et pour les retouches sur béton.

- ▶ L'appareil ne doit fonctionner qu'avec la tension réseau et la fréquence réseau indiquées sur la plaque signalétique.

3.3 Éléments fournis

Perforateur-burineur, poignée latérale, butée de profondeur, notice d'utilisation.

D'autres produits système autorisés pour votre produit peuvent être obtenus auprès du centre **Hilti Store** ou en ligne sous : www.hilti.group | États-Unis : www.hilti.com

4 Caractéristiques techniques



Les données de tension nominale, courant nominal, fréquence et / ou consommation nominale figurent sur la plaque signalétique spécifique au pays.

En cas d'utilisation avec un groupe électrogène ou un transformateur, leur puissance d'alimentation doit être au moins égale au double de la puissance indiquée sur la plaque signalétique de l'appareil. La tension de



service du groupe électrogène ou du transformateur doit être toujours comprise entre +5 % et -15 % par rapport à la tension nominale de l'appareil.

	TE 7-C
Poids	7,7 lb (3,5 kg)
ØMèche de forage	1/4 in ... 1 1/8 in
ØMèche de forage	5 mm ... 28 mm
ØMèche à bois	3/16 in ... 3/4 in
ØMèche à bois	3 mm ... 20 mm
ØMèche à métaux	≤ 13 in
ØMèche à métaux	≤ 13 mm

5 Utilisation

<p>Montage de la poignée latérale</p> <p> ATTENTION</p> <p>Risque de blessures ! L'utilisateur risque de se blesser s'il monte inutilement une butée de profondeur.</p> <p>► Retirer la butée de profondeur de l'appareil.</p> <hr/> <p> ATTENTION</p> <p>Risque de blessures ! Perte de contrôle sur le produit.</p> <p>► S'assurer que la poignée latérale est bien montée et correctement serrée. Veiller à ce que le collier de serrage soit dans l'écrou prévu à cet effet sur le produit.</p>	2
<p>Montage/démontage du mandrin</p> <p> ATTENTION</p> <p>Risque de blessures ! L'utilisateur risque de se blesser s'il monte inutilement une butée de profondeur.</p> <p>► Retirer la butée de profondeur de l'appareil.</p> <hr/> <p> Pour le changement de mandrin, tourner le sélecteur de fonction sur la position "Burinage" T.</p>	3
<p>Mise en place/retrait de l'outil</p> <p> L'utilisation d'une graisse non appropriée peut engendrer des dommages sur le produit. Utiliser exclusivement des accessoires Hilti d'origine.</p>	4
Réglage de la butée de profondeur	5
Perçage sans percussion	6
Perçage avec percussion	6
Burinage T	6
<p>Positionnement du burin </p> <p> ATTENTION</p> <p>Risque de blessures Perte de contrôle du sens de burinage.</p> <p>► Ne pas travailler avec le sélecteur sur la position "Positionnement du burin". Tourner le sélecteur de fonction sur la position "Burinage" T, jusqu'à ce qu'il s'encliquette.</p> <hr/> <p> Le burin peut être bloqué dans 18 positions différentes (tous les 20°). Ainsi, que ce soit pour le burinage plat ou profilé, il est toujours possible de travailler dans la position optimale.</p>	6
Sens de rotation droite/gauche	7



6 Nettoyage et entretien

AVERTISSEMENT

Danger d'électrocution ! Les travaux de nettoyage et d'entretien effectués avec fiche branchée à la prise peuvent entraîner de graves blessures corporelles et brûlures.

- ▶ Toujours retirer la fiche de la prise avant tous travaux de nettoyage et d'entretien !

Nettoyage

- Éliminer prudemment les saletés récalcitrantes.
- Nettoyer les ouïes d'aération avec précaution au moyen d'une brosse sèche.
- Nettoyer le boîtier uniquement avec un chiffon légèrement humidifié. Ne pas utiliser de nettoyeurs à base de silicone, ceci pourrait attaquer les pièces en plastique.

Entretien

AVERTISSEMENT

Risque d'électrocution ! Des réparations inappropriées sur des composants électriques peuvent entraîner de graves blessures corporelles et brûlures.

- ▶ Toute réparation des pièces électriques ne doit être effectuée que par un électricien qualifié.
- Vérifier régulièrement qu'aucune pièce visible n'est endommagée et que les organes de commande sont parfaitement opérationnels.
- En cas d'endommagements et/ou de dysfonctionnements, ne pas utiliser le produit. Le faire immédiatement réparer par le S.A.V. **Hilti**.
- Après des travaux de nettoyage et d'entretien, vérifier si tous les équipements de protection sont bien en place et fonctionnent parfaitement.



Pour une utilisation en toute sécurité, utiliser uniquement des pièces de rechange et consommables d'origine. Vous trouverez les pièces de rechange, consommables et accessoires autorisés convenant pour votre produit dans le centre **Hilti Store** ou sous : www.hilti.group.

6.1 Remplacement de la protection anti-poussière

- ▶ Remplacer la protection anti-poussière.

7 Transport et entreposage

Transport

- ▶ Ne jamais transporter ce produit avec outil monté.
- ▶ Veiller à le tenir fermement pendant le transport.
- ▶ Vérifier après chaque transport qu'aucune pièce visible n'est endommagée et que les organes de commande sont parfaitement opérationnels.

Stockage

- ▶ Toujours stocker l'appareil avec la fiche secteur débranchée.
- ▶ Stocker cet appareil à l'état sec hors de portée des enfants et des personnes non autorisées.
- ▶ Vérifier après un stockage prolongé qu'aucune pièce visible n'est endommagée et que les organes de commande sont parfaitement opérationnels.

8 Aide au dépannage






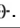
En cas de défaillances non énumérées dans ce tableau ou auxquelles il n'est pas possible de remédier sans aide, contacter le S.A.V. **Hilti**.

8.1 Aide au dépannage


En cas de défaillances non énumérées dans ce tableau ou auxquelles il n'est pas possible de remédier sans aide, contacter le S.A.V. **Hilti**.

Défaillance	Causes possibles	Solution
L'appareil ne se met pas en marche.	Coupeure d'alimentation électrique.	▶ Brancher un autre appareil électrique et vérifier s'il fonctionne.



Défaillance	Causes possibles	Solution
Absence de percussion.	L'appareil est trop froid.	► Poser le perforateur-burineur sur le matériau support et le laisser tourner à vide. Répéter si nécessaire jusqu'à ce que le mécanisme de frappe fonctionne.
	Sélecteur de fonction sur "Perçage sans percussion"  .	► Tourner le sélecteur de fonction sur la position "Perçage avec percussion"  .
Le perforateur-burineur n'atteint pas la pleine puissance.	La section du câble de rallonge n'est pas suffisante.	► Utiliser un câble de rallonge de section suffisante.
	Le variateur électronique de vitesse n'est pas complètement enfoncé.	► Enfoncer le variateur électronique de vitesse jusqu'en butée.
La mèche ne tourne pas.	Sélecteur de fonction pas enclenché ou sur la position "Burinage"  ou "Positionnement du burin"  .	► Tourner le sélecteur de fonction sur la position "Perçage sans percussion"  ou "Perçage avec percussion"  .
La mèche ne sort pas du dispositif de verrouillage.	Le mandrin n'est pas complètement ouvert.	► Retirer le dispositif de verrouillage de l'outil jusqu'à la butée et sortir l'outil.
La mèche ne perce pas.	L'appareil est réglé sur le sens de rotation gauche.	► Commuter l'appareil sur le sens de rotation droite.

9 Recyclage

 Les appareils **Hilti** sont fabriqués pour une grande partie en matériaux recyclables. Le recyclage présuppose un tri adéquat des matériaux. **Hilti** reprend les appareils usagés dans de nombreux pays en vue de leur recyclage. Consulter le service clients **Hilti** ou un conseiller commercial.



- Ne pas jeter les appareils électriques, électroniques et accus dans les ordures ménagères !

10 Garantie constructeur

- En cas de questions sur les conditions de garantie, veuillez vous adresser à votre partenaire **Hilti** local.

Manual de instrucciones original

1 Información sobre el manual de instrucciones

1.1 Acerca de este manual de instrucciones

- Lea detenidamente este manual de instrucciones antes de la puesta en servicio. Ello es imprescindible para un trabajo seguro y un manejo sin problemas.
- Observe las indicaciones y advertencias de seguridad en este manual de instrucciones y en el producto.
- Conserve este manual de instrucciones siempre junto con el producto y entregue el producto a otras personas siempre acompañado de este manual de instrucciones.

1.2 Explicación de símbolos

1.2.1 Avisos

Las advertencias de seguridad advierten de peligros derivados del manejo del producto. Se utilizan las siguientes palabras de peligro:



⚠ PELIGRO

PELIGRO !

- ▶ Término utilizado para un peligro inminente que puede ocasionar lesiones graves o incluso la muerte.

⚠ ADVERTENCIA

ADVERTENCIA !

- ▶ Término utilizado para un posible peligro que puede ocasionar lesiones graves o incluso la muerte.

⚠ PRECAUCIÓN

PRECAUCIÓN !

- ▶ Término utilizado para una posible situación peligrosa que puede ocasionar lesiones o daños materiales.

1.2.2 Símbolos en el manual de instrucciones

En este manual de instrucciones se utilizan los siguientes símbolos:

	Consulte el manual de instrucciones
	Indicaciones de uso y demás información de interés
	Manejo con materiales reutilizables
	No tire las herramientas eléctricas y las baterías junto con los desperdicios domésticos

1.2.3 Símbolos en las figuras

En las figuras se utilizan los siguientes símbolos:

2	Estos números hacen referencia a la figura correspondiente incluida al principio de este manual de instrucciones.
3	La numeración en las figuras hace referencia a pasos de trabajo importantes o componentes importantes para los pasos de trabajo. Estos pasos de trabajo o componentes se resaltan en el texto mediante los correspondientes números, p. ej., (3) .
11	En la figura Vista general se utilizan números de posición y los números de la leyenda están explicados en el apartado Vista general del producto .
	Preste especial atención a este símbolo cuando utilice el producto.

1.3 Símbolos de productos

1.3.1 Símbolos

Se utilizan los siguientes símbolos:

	Taladrar sin percusión
	Taladrar con percusión (taladrar con martillo)
T	Cincelar
	Colocar cincel
n_0	Número de referencia de revoluciones en vacío
/min	Revoluciones por minuto
	Clase de protección II (aislamiento doble)



1.4 Información del producto

Los productos Hilti están diseñados para usuarios profesionales y solo deben ser manejados, conservados y reparados por personal autorizado y debidamente formado. Este personal debe estar especialmente instruido en lo referente a los riesgos de uso. La utilización del producto y sus dispositivos auxiliares puede conllevar riesgos para el usuario en caso de manejarse de forma inadecuada por personal no cualificado o utilizarse para usos diferentes a los que están destinados.

La denominación del modelo y el número de serie están indicados en la placa de identificación.

- ▶ Copie el número de serie en la siguiente tabla. Necesitará los datos del producto para realizar consultas a nuestros representantes o al Departamento de Servicio Técnico.

Datos del producto

Martillo perforador	TE 7-C
Generación	01
N.º de serie	

1.5 Declaración de conformidad

Bajo nuestra exclusiva responsabilidad, declaramos que el producto aquí descrito cumple con las directivas y normas vigentes. Encontrará una reproducción del organismo certificador al final de esta documentación. La documentación técnica se encuentra depositada aquí:

Hilti Entwicklungsgesellschaft mbH | Zulassung Geräte | Hiltistraße 6 | 86916 Kaufering, DE

2 Seguridad

2.1 Indicaciones generales de seguridad para herramientas eléctricas

⚠ ADVERTENCIA Lea con atención todas las indicaciones de seguridad, instrucciones, ilustraciones y datos técnicos correspondientes a esta herramienta eléctrica. La negligencia en el cumplimiento de las instrucciones que se describen a continuación podría provocar descargas eléctricas, incendios o lesiones graves.

Conserve todas las instrucciones e indicaciones de seguridad para futuras consultas.

El término «herramienta eléctrica» empleado en las indicaciones de seguridad se refiere a herramientas eléctricas portátiles, ya sea con cable de red o sin cable, en caso de ser accionadas por batería.

Seguridad en el puesto de trabajo

- ▶ **Mantenga su área de trabajo limpia y bien iluminada.** El desorden o una iluminación deficiente de las zonas de trabajo pueden provocar accidentes.
- ▶ **No utilice la herramienta eléctrica en un entorno con peligro de explosión en el que se encuentren líquidos, gases o polvos inflamables.** Las herramientas eléctricas producen chispas que pueden llegar a inflamar los materiales en polvo o vapores.
- ▶ **Mantenga alejados a los niños y otras personas de su puesto de trabajo al emplear la herramienta eléctrica.** Una distracción le puede hacer perder el control sobre la herramienta.

Seguridad eléctrica

- ▶ **El enchufe de la herramienta eléctrica debe corresponder a la toma de corriente utilizada. No se deberá modificar el enchufe en forma alguna. No utilice enchufes adaptadores para las herramientas eléctricas con puesta a tierra.** Los enchufes sin modificar adecuados a las respectivas tomas de corriente reducen el riesgo de descarga eléctrica.
- ▶ **Evite el contacto corporal con superficies que tengan puesta a tierra, como pueden ser tubos, calefacciones, cocinas y frigoríficos.** El riesgo a quedar expuesto a una sacudida eléctrica es mayor si su cuerpo tiene contacto con tierra.
- ▶ **No exponga las herramientas eléctricas a la lluvia y evite que penetren líquidos en su interior.** El riesgo de recibir descargas eléctricas aumenta si penetra agua en la herramienta eléctrica.
- ▶ **No utilice el cable de conexión para transportar o colgar la herramienta eléctrica ni tire de él para extraer el enchufe de la toma de corriente. Mantenga el cable de conexión alejado de fuentes de calor, aceite, aristas afiladas o piezas móviles.** Los cables de conexión dañados o enredados pueden provocar descargas eléctricas.
- ▶ **Cuando trabaje al aire libre con una herramienta eléctrica, utilice exclusivamente un alargador adecuado para exteriores.** La utilización de un alargador adecuado para su uso en exteriores evita el riesgo de una descarga eléctrica.



- ▶ **Cuando no pueda evitarse el uso de la herramienta eléctrica en un entorno húmedo, utilice un interruptor de corriente de defecto.** La utilización de un interruptor de corriente de defecto evita el riesgo de una descarga eléctrica.

Seguridad de las personas

- ▶ **Permanezca atento, preste atención durante el trabajo y utilice la herramienta eléctrica con prudencia. No utilice una herramienta eléctrica si está cansado, ni tampoco después de haber consumido alcohol, drogas o medicamentos.** Un momento de descuido al utilizar la herramienta eléctrica podría producir graves lesiones.
- ▶ **Utilice el equipo de seguridad personal adecuado y lleve siempre gafas protectoras.** El riesgo de lesiones se reduce considerablemente si, según el tipo y la aplicación de la herramienta eléctrica empleada, se utiliza un equipo de seguridad personal adecuado como una mascarilla antipolvo, zapatos de seguridad con suela antideslizante, casco de protección o protección para los oídos.
- ▶ **Evite una puesta en servicio fortuita de la herramienta. Asegúrese de que la herramienta eléctrica está apagada antes de alzarla, transportarla, conectarla a la toma de corriente o insertar la batería.** Si transporta la herramienta eléctrica sujetándola por el interruptor de conexión/desconexión o si introduce el enchufe en la toma de corriente con la herramienta conectada, podría producirse un accidente.
- ▶ **Retire las herramientas de ajuste o llaves fijas antes de conectar la herramienta eléctrica.** Una herramienta o llave colocada en una pieza giratoria puede producir lesiones al ponerse en funcionamiento.
- ▶ **Evite adoptar posturas forzadas. Procure que la postura sea estable y manténgase siempre en equilibrio.** De esta forma podrá controlar mejor la herramienta eléctrica en caso de presentarse una situación inesperada.
- ▶ **Utilice ropa adecuada. No utilice vestimenta amplia ni joyas. Mantenga su pelo, vestimenta y guantes alejados de las piezas móviles.** La vestimenta suelta, las joyas y el pelo largo se pueden enganchar con las piezas en movimiento.
- ▶ **Siempre que sea posible montar equipos de aspiración o captación de polvo, asegúrese de que están conectados y de que se utilizan correctamente.** El uso de un sistema de aspiración de polvo reduce los riesgos derivados del polvo.
- ▶ **No se crea a salvo de cualquier riesgo ni pase por alto ninguna de las normas de seguridad relativas a las herramientas eléctricas, aun cuando esté familiarizado con la herramienta eléctrica y tenga larga experiencia en su uso.** Una actuación negligente puede provocar lesiones graves en cuestión de segundos.

Uso y manejo de la herramienta eléctrica

- ▶ **No sobrecargue la herramienta. Utilice la herramienta eléctrica adecuada para el trabajo que se dispone a realizar.** Con la herramienta eléctrica apropiada podrá trabajar mejor y de modo más seguro dentro del margen de potencia indicado.
- ▶ **No utilice herramientas eléctricas con el interruptor defectuoso.** Las herramientas eléctricas que no se pueden conectar o desconectar son peligrosas y deben repararse.
- ▶ **Extraiga el enchufe de la toma de corriente o retire la batería extraíble antes de efectuar cualquier ajuste en la herramienta, cambiar accesorios o en caso de no utilizar la herramienta durante un tiempo prolongado.** Esta medida preventiva evita el riesgo de arranque accidental de la herramienta eléctrica.
- ▶ **Guarde las herramientas eléctricas que no utilice fuera del alcance de los niños. No permita utilizar la herramienta a ninguna persona que no esté familiarizada con ella o que no haya leído este manual de instrucciones.** Las herramientas eléctricas utilizadas por personas inexpertas son peligrosas.
- ▶ **Cuide su herramienta eléctrica y los accesorios adecuadamente. Compruebe si las piezas móviles de la herramienta funcionan correctamente y sin atascarse, y si existen piezas rotas o deterioradas que pudieran afectar al funcionamiento de la herramienta eléctrica. Encargue la reparación de las piezas defectuosas antes de usar la herramienta eléctrica.** Muchos accidentes son consecuencia de un mantenimiento inadecuado de la herramienta eléctrica.
- ▶ **Mantenga los útiles limpios y afilados.** Las herramientas de corte bien cuidadas y con aristas afiladas se atascan menos y se guían con más facilidad.
- ▶ **Utilice la herramienta eléctrica, los accesorios, útiles de inserción, etc., de acuerdo con estas instrucciones. Para ello, tenga en cuenta las condiciones de trabajo y la tarea que se va a realizar.** El uso de herramientas eléctricas para trabajos diferentes de aquellos para los que han sido concebidas puede resultar peligroso.
- ▶ **Mantenga las empuñaduras y las superficies de contacto secas, limpias y sin residuos de aceite o grasa.** Las empuñaduras y superficies de contacto resbaladizas impiden manejar y controlar la herramienta eléctrica con seguridad en situaciones imprevistas.



Servicio Técnico

- ▶ **Solicite que un profesional lleve a cabo la reparación de su herramienta eléctrica y que utilice exclusivamente piezas de repuesto originales.** Solamente así se garantiza la seguridad de la herramienta eléctrica.

2.2 Indicaciones de seguridad para martillos**Indicaciones de seguridad para todos los trabajos**

- ▶ **Utilice protección para los oídos.** El ruido constante puede reducir la capacidad auditiva.
- ▶ **Utilice las empuñaduras adicionales que se suministran con la herramienta.** La pérdida del control puede causar lesiones.
- ▶ **Sujete la herramienta por las empuñaduras aisladas cuando realice trabajos en los que el útil puede entrar en contacto con cables eléctricos ocultos o con el propio cable de la herramienta.** El contacto con los cables conductores puede traspasar la conductividad a las partes metálicas y producir descargas eléctricas.

Indicaciones de seguridad al utilizar la broca larga

- ▶ **Inicie el proceso de perforación siempre con velocidad baja y mientras la broca esté en contacto con la pieza de trabajo.** A velocidades elevadas, la broca se puede doblar un poco si gira libremente sin entrar en contacto con la pieza de trabajo, lo que puede provocar lesiones.
- ▶ **No aplique una presión excesiva y solo en sentido longitudinal respecto a la broca.** Las brocas pueden doblarse y, por consiguiente, romperse o provocar la pérdida del control e incluso lesiones.

2.3 Indicaciones de seguridad adicionales**Seguridad de las personas**

- ▶ **No está permitido efectuar manipulaciones o modificaciones en la herramienta.**
- ▶ **Mantenga las empuñaduras secas, limpias y sin residuos de aceite o grasa.**
- ▶ **Asegúrese de que la empuñadura lateral esté correctamente montada y fijada conforme a las prescripciones. Sujete siempre la herramienta con ambas manos por las empuñaduras previstas.**
- ▶ **Efectúe pausas durante el trabajo, así como ejercicios de relajación y estiramiento de los dedos para mejorar la circulación de estos.**
- ▶ **La herramienta no es adecuada para personas con poca fuerza a las que no se haya instruido.**
- ▶ **Mantenga la herramienta fuera del alcance de los niños.**
- ▶ **Evite tocar las piezas en movimiento. No conecte la herramienta fuera de la zona de trabajo.** Si se tocan piezas en movimiento, en especial herramientas rotativas, pueden ocasionarse lesiones.
- ▶ El polvo procedente de materiales como pinturas con plomo, determinadas maderas, hormigón/mampostería/rocas con cuarzo, así como minerales y metal puede ser nocivo para la salud. El contacto con el polvo o su inhalación puede provocar reacciones alérgicas o asfixia al usuario o a personas que se encuentren en su entorno. Existen determinados tipos de polvo, como puede ser el de roble o el de haya, catalogados como cancerígenos, especialmente si se encuentra mezclado con aditivos usados en el tratamiento de la madera (cromato, agente protector para la madera). Únicamente expertos cualificados están autorizados a manipular materiales que contengan asbesto. **Utilice siempre que sea posible un aspirador de polvo. Para lograr un alto grado de aspiración del polvo, utilice un aspirador de polvo portátil apropiado. Utilice una mascarilla adecuada para cada clase de polvo. Procure una buena ventilación del lugar de trabajo. Respete la normativa vigente en su país concerniente al procesamiento de los materiales de trabajo.**
- ▶ **Antes de iniciar el trabajo, consulte la clase de peligros derivados del polvo resultante del trabajo. Utilice un aspirador de obra con una clasificación de protección homologada conforme a las normas locales sobre la protección contra el polvo.**
- ▶ **Respete la normativa nacional en materia de protección laboral.**

Manipulación y utilización segura de las herramientas eléctricas

- ▶ **Asegure la pieza de trabajo. Utilice dispositivos de sujeción o un tornillo de banco para sujetar la pieza de trabajo.** De esa forma estará sujeta de modo más seguro que con la mano y, por otro lado, tendrá las dos manos libres para manejar la herramienta.
- ▶ **Compruebe si los útiles disponen del sistema de inserción adecuado para la herramienta y si están enclavados en el portaútiles conforme a las prescripciones.**
- ▶ **Si se produce una interrupción de la corriente, desconecte la herramienta y extraiga el enchufe de red; en caso necesario, suelte el bloqueo del conmutador de control.** Esto evita la puesta en servicio involuntaria de la herramienta cuando vuelva la corriente.



Seguridad eléctrica

- ▶ **Compruebe antes de empezar a trabajar si la zona de trabajo oculta cables eléctricos, tuberías de gas o cañerías de agua, por ejemplo, con un detector de metales.** Las partes metálicas exteriores de la herramienta pueden pasar a conducir electricidad si, por ejemplo, se ha dañado por error un cable eléctrico. Dichas partes suponen un peligro serio por el riesgo de una descarga eléctrica.
- ▶ **Compruebe con regularidad el cable de conexión de la herramienta y, en caso de que presentara daños, encargue su sustitución a un profesional experto en la materia. Si el cable de conexión de la herramienta eléctrica está dañado, debe reemplazarse por un cable especial homologado que encontrará en nuestro Servicio Posventa. Inspeccione regularmente los alargadores y sustitúyalos en caso de que estuvieran dañados. Si se daña el cable de red o el alargador durante el trabajo, evite tocar el cable. Extraiga el enchufe de red de la toma de corriente.** Los cables de conexión y los alargadores dañados suponen un peligro, pues pueden ocasionar una descarga eléctrica.
- ▶ **Encargue una revisión periódica de la herramienta al Servicio Técnico Hilti en caso de tratar con frecuencia materiales conductores.** El polvo adherido en la superficie de la herramienta, sobre todo el de los materiales conductivos, o la humedad pueden provocar descargas eléctricas bajo condiciones desfavorables.

Lugar de trabajo

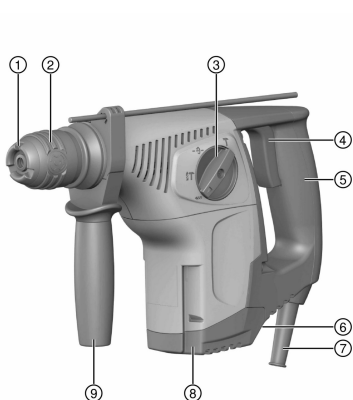
- ▶ **Durante el proceso de taladrado, proteja la zona opuesta al lugar donde se realiza el trabajo,** ya que pueden desprenderse cascotes y causar heridas a otras personas.

Seguridad personal

- ▶ **Utilice guantes de protección.** Durante el funcionamiento, el martillo perforador puede calentarse. Si se tocan los útiles al cambiarlos se pueden producir cortes y quemaduras.

3 Descripción

3.1 Vista general del producto



- ① Tapa de protección contra polvo
- ② Portaútiles TE-C Click
- ③ Interruptor selector de funciones
- ④ Conmutador de control
- ⑤ Empuñadura
- ⑥ Conmutador de giro a la derecha/izquierda
- ⑦ Cable de red
- ⑧ Conexión para módulo de aspiración TE DRS-M
- ⑨ Empuñadura lateral con tope de profundidad

3.2 Uso conforme a las prescripciones

El producto descrito es un martillo perforador eléctrico. Es adecuado para trabajos de taladrado en hormigón, mampostería, yeso encartonado, madera, plástico y metal. Además, el martillo perforador se puede utilizar en trabajos sencillos de cincelado en mampostería y para reparar en hormigón.

- ▶ Solo debe funcionar con la frecuencia y tensión de alimentación especificada en la placa de identificación.

3.3 Suministro

Martillo perforador, empuñadura lateral, tope de profundidad, manual de instrucciones.

Encontrará otros productos del sistema autorizados para su producto en su **Hilti Store** o en Internet, en: www.hilti.group | EE.: www.hilti.com



4 Datos técnicos



La tensión nominal, la intensidad nominal, la frecuencia y/o la potencia nominal figuran en la placa de identificación específica del país.

Si se utiliza con un generador o transformador, la potencia útil debe ser al menos el doble de la potencia nominal indicada en la placa de identificación de la herramienta. La tensión de servicio del transformador o del generador debe encontrarse en todo momento entre un +5 % y un -15 % de la tensión nominal de la herramienta.

	TE 7-C
Peso	7,7 lb (3,5 kg)
Ø de broca para martillo perforador	1/4 in ... 1 1/8 in
Ø de broca para martillo perforador	5 mm ... 28 mm
Ø de broca para madera	3/16 in ... 3/4 in
Ø de broca para madera	3 mm ... 20 mm
Ø de broca para metal	≤ 13 in
Ø de broca para metal	≤ 13 mm

5 Manejo

<p>Montaje de la empuñadura lateral</p> <p> PRECAUCIÓN</p> <p>Riesgo de lesiones. Riesgo de obstáculo para el operario si el tope de profundidad está colocado pero no se utiliza.</p> <ul style="list-style-type: none"> Retire el tope de profundidad de la herramienta. <hr/> <p> PRECAUCIÓN</p> <p>Riesgo de lesiones. Pérdida de control del producto.</p> <ul style="list-style-type: none"> Asegúrese de que la empuñadura lateral esté correctamente montada y fijada conforme a las prescripciones. Asegúrese de que la banda de sujeción esté situada en la ranura del producto prevista para tal fin. 	2
<p>Montaje/desmontaje del portaútiles</p> <p> PRECAUCIÓN</p> <p>Riesgo de lesiones. Riesgo de obstáculo para el operario si el tope de profundidad está colocado pero no se utiliza.</p> <ul style="list-style-type: none"> Retire el tope de profundidad de la herramienta. <p> Para cambiar el portaútiles, seleccione la posición «Cincelar» en el interruptor selector de funciones T.</p>	3
<p>Inserción/extracción del útil</p> <p> El uso de una grasa inadecuada puede provocar daños en el producto. Utilice únicamente grasa original de Hilti.</p>	4
Ajuste del tope de profundidad	5
Taladrar sin percusión	6
Taladrar con percusión (taladrar con martillo)	6
Cincelar T	6



<p>Colocación del cincel ⇄</p> <p>⚠ PRECAUCIÓN</p> <p>Riesgo de lesiones Pérdida de control de la dirección del cincel.</p> <p>▶ No trabaje en la posición «Colocar cincel». Lleve el interruptor selector de funciones a la posición «Cincelar» T hasta que encaje.</p> <hr/> <p>i El cincel cuenta con 18 posiciones de ajuste diferentes (en intervalos de 20°). De ese modo, siempre se adopta la mejor posición en los trabajos con cincel plano y de perfilar.</p>	6
<p>Giro derecha/izquierda</p>	7

6 Cuidado y mantenimiento

⚠ ADVERTENCIA

Peligro de descarga eléctrica. La realización de tareas de cuidado y mantenimiento con el enchufe conectado a la toma de corriente de puede provocar lesiones y quemaduras graves.

- ▶ Extraiga siempre el enchufe de la toma de corriente antes de realizar cualquier tarea de cuidado y mantenimiento.

Cuidado

- Retire con cuidado la suciedad fuertemente adherida.
- Limpie cuidadosamente las rejillas de ventilación con un cepillo seco.
- Limpie la carcasa utilizando únicamente un paño ligeramente humedecido. No utilice limpiadores que contengan silicona, ya que podría afectar a las piezas de plástico.

Mantenimiento

⚠ ADVERTENCIA

Riesgo de descarga eléctrica. Las reparaciones indebidas en componentes eléctricos pueden producir lesiones graves y quemaduras.

- ▶ Las reparaciones de la parte eléctrica sólo puede llevarlas a cabo un técnico electricista cualificado.
- Compruebe con regularidad si las piezas visibles están dañadas o si los elementos de manejo funcionan correctamente.
- No utilice el producto si presenta daños o fallos que afecten al funcionamiento. Llévela de inmediato al Servicio Técnico de **Hilti** para que la reparen.
- Coloque todos los dispositivos de protección después de las tareas de cuidado y mantenimiento y compruebe su correcto funcionamiento.

i Para garantizar un correcto funcionamiento, utilice exclusivamente piezas de repuesto y material de consumo originales. Puede encontrar piezas de repuesto, consumibles y accesorios para su producto que nosotros mismos comercializamos en **Hilti Store** o en: www.hilti.group.

6.1 Sustitución de la tapa de protección

- ▶ Sustituya la tapa de protección.

7 Transporte y almacenamiento

Transporte

- ▶ No transporte este producto con el útil insertado.
- ▶ Asegúrese de que durante el transporte esté bien sujeto.
- ▶ Compruebe tras cada transporte si las piezas visibles están dañadas o si los elementos de manejo funcionan correctamente.

Almacenamiento

- ▶ Almacene este producto siempre con los enchufes desconectados.
- ▶ Guarde este producto en un lugar seco y fuera del alcance de niños y personas no autorizadas.
- ▶ Cuando lleve mucho tiempo almacenado, compruebe si las piezas visibles están dañadas y si los elementos de manejo funcionan correctamente.




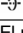
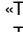
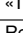


8 Ayuda en caso de averías


Si se producen averías que no estén incluidas en esta tabla o que no pueda solucionar usted, diríjase al Servicio Técnico de **Hilti**.

8.1 Ayuda en caso de averías

Si se producen averías que no estén incluidas en esta tabla o que no pueda solucionar usted, diríjase al Servicio Técnico de **Hilti**.

Anomalía	Posible causa	Solución
La herramienta no se pone en marcha.	Alimentación de tensión interrum-pida.	▶ Conecte otra herramienta eléctrica y compruebe si funciona.
Sin percusión.	Herramienta demasiado fría.	▶ Apoye el martillo perforador en la superficie de trabajo y déjelo funcionando con la marcha en vacío. Repítalo si es necesario hasta que funcione el mecanismo de percusión.
	Interruptor selector de funciones en «Taladrar sin percusión»  .	▶ Sitúe el interruptor selector de funciones en la posición «Tala-drar con percusión» (perforar con martillo)  .
El martillo perforador no des-arrolla toda la potencia.	El alargador tiene una sección in-suficiente.	▶ Utilice un cable alargador con sección suficiente.
	Conmutador de control no pulsado del todo.	▶ Presione el conmutador de control hasta el tope.
La broca no gira.	Interruptor selector de funciones no encajado o en la posición de «Cincelar»  o «Colocar cincel»  .	▶ Sitúe el interruptor selector de funciones en la posición «Taladrar sin percusión»  o «Taladrar con martillo»  .
La broca no se puede desblo-quear.	El portaútiles no se ha retraído completamente.	▶ Retire el bloqueo del útil hasta el tope y extráigalo.
La broca no arranca material.	La herramienta está ajustada en giro a la izquierda.	▶ Conmute la herramienta a giro a la derecha.

9 Reciclaje

Las herramientas  **Hilti** están fabricadas en su mayor parte con materiales reutilizables. La condición para dicha reutilización es una separación adecuada de los materiales. En muchos países, **Hilti** recoge las herramientas usadas para su recuperación. Pregunte en el Servicio de Atención al Cliente de **Hilti** o a su asesor de ventas.



- ▶ No deseche las herramientas eléctricas, los aparatos eléctricos ni las baterías junto con los residuos domésticos.

10 Garantía del fabricante

- ▶ Si tiene alguna consulta acerca de las condiciones de la garantía, póngase en contacto con su sucursal local de **Hilti**.



Manual de instruções original

1 Indicações sobre o Manual de instruções

1.1 Relativamente a este Manual de instruções

- Antes da colocação em funcionamento, leia este manual de instruções. Esta é a condição para um trabalho seguro e um manuseamento sem problemas.
- Tenha em atenção as instruções de segurança e as advertências neste Manual de instruções e no produto.
- Guarde o manual de instruções sempre junto do produto e entregue-o a outras pessoas apenas juntamente com este manual de instruções.

1.2 Explicação dos símbolos

1.2.1 Advertências

As advertências alertam para perigos durante a utilização do produto. São utilizadas as seguintes palavras de aviso:

PERIGO

PERIGO !

- ▶ Indica perigo iminente que pode originar acidentes pessoais graves ou até mesmo fatais.

AVISO

AVISO !

- ▶ Indica um possível perigo que pode causar graves ferimentos pessoais, até mesmo fatais.





CUIDADO

CUIDADO !

- ▶ Indica uma situação potencialmente perigosa que pode originar ferimentos corporais ou danos materiais.




1.2.2 Símbolos no manual de instruções

Neste manual de instruções são utilizados os seguintes símbolos:

	Consultar o manual de instruções
	Instruções de utilização e outras informações úteis
	Manuseamento com materiais recicláveis
	Não deitar as ferramentas eléctricas e baterias no lixo doméstico

1.2.3 Símbolos nas figuras

Em figuras são utilizados os seguintes símbolos:

	Estes números remetem para a figura respectiva no início do presente manual de instruções.
3	A numeração nas imagens indica passos de trabalho importantes ou componentes importantes para os passos de trabalho. No texto, estes passos de trabalho ou componentes são realçados com os respectivos números, p. ex. (3) .
	Na figura Vista geral são utilizados números de posição que fazem referência aos números da legenda na secção Vista geral do produto .
	Este símbolo pretende despertar a sua atenção durante o manuseamento do produto.



1.3 Símbolos dependentes do produto

1.3.1 Símbolos

São utilizados os seguintes símbolos:

	Furar sem percussão
	Furar com percussão (furar de martelo)
	Cinzelar
	Posicionar o cinzel
n_0	Velocidade nominal de rotação sem carga
/min	Rotações por minuto
	Classe II de protecção (com duplo isolamento)

1.4 Dados informativos sobre o produto

Os produtos Hilti foram concebidos para uso profissional e só devem ser utilizados, mantidos e reparados por pessoal autorizado e devidamente credenciado. Este pessoal deverá estar informado, em particular, sobre os potenciais perigos. O produto e seu equipamento auxiliar podem representar perigo se usados incorrectamente por pessoas não qualificadas ou se usados para fins diferentes daqueles para os quais foram concebidos.

A designação e o número de série são indicados na placa de características.

- ▶ Registe o número de série na tabela seguinte. Os dados do produto são necessários para colocar questões ao nosso representante ou posto de serviço de atendimento aos clientes.

Dados do produto

Martelo perfurador	TE 7-C
Geração	01
N.º de série	

1.5 Declaração de conformidade

Declaramos sob nossa exclusiva responsabilidade que o produto aqui descrito está em conformidade com as directivas e normas em vigor. Na parte final desta documentação encontra uma reprodução do organismo de certificação.

As documentações técnicas estão aqui guardadas:

Hilti Entwicklungsgesellschaft mbH | Zulassung Geräte | Hiltistraße 6 | 86916 Kaufering, DE

2 Segurança

2.1 Normas de segurança gerais para ferramentas eléctricas

⚠ AVISO Leia todas as normas de segurança, instruções, imagens e dados técnicos, com os quais esta ferramenta eléctrica está equipada. O não cumprimento das instruções a seguir pode resultar em choque eléctrico, incêndio e/ou ferimentos graves.

Guarde bem todas as normas de segurança e instruções para futura referência.

O termo "ferramenta eléctrica" utilizado nas normas de segurança refere-se a ferramentas com ligação à corrente eléctrica (com cabo de alimentação) ou a ferramentas a bateria (sem cabo).

Segurança no posto de trabalho

- ▶ **Mantenha a sua área de trabalho limpa e bem iluminada.** Locais desarrumados ou mal iluminados podem ocasionar acidentes.
- ▶ **Não utilize a ferramenta eléctrica em ambientes explosivos ou na proximidade de líquidos ou gases inflamáveis.** Ferramentas eléctricas produzem faíscas que podem provocar a ignição de pó e vapores.
- ▶ **Mantenha crianças e terceiros afastados durante os trabalhos.** Distrações podem conduzir à perda de controlo sobre a ferramenta.



Segurança eléctrica

- ▶ **A ficha da ferramenta eléctrica deve servir na tomada. A ficha não deve ser modificada de modo algum. Não utilize quaisquer adaptadores com ferramentas eléctricas com ligação terra.** Fichas originais (não modificadas) e tomadas adequadas reduzem o risco de choque eléctrico.
- ▶ **Evite o contacto do corpo com superfícies ligadas à terra, como, por exemplo, canos, radiadores, fogões e frigoríficos.** Existe um risco elevado de choque eléctrico se o corpo estiver com ligação à terra.
- ▶ **As ferramentas eléctricas não devem ser expostas à chuva nem à humidade.** A infiltração de água numa ferramenta eléctrica aumenta o risco de choque eléctrico.
- ▶ **Não use o cabo de ligação para transportar, pendurar ou desligar a ferramenta eléctrica da tomada. Mantenha o cabo de ligação afastado de calor, óleo, arestas vivas ou partes em movimento.** Cabos de ligação danificados ou emaranhados aumentam o risco de choque eléctrico.
- ▶ **Quando operar uma ferramenta eléctrica ao ar livre, utilize apenas cabos de extensão próprios para utilização no exterior.** A utilização de um cabo de extensão próprio para utilização no exterior reduz o risco de choques eléctricos.
- ▶ **Utilize um disjuntor diferencial se não puder ser evitada a utilização da ferramenta eléctrica em ambiente húmido.** A utilização de um disjuntor diferencial reduz o risco de choque eléctrico.

Segurança física

- ▶ **Esteja alerta, observe o que está a fazer, e tenha prudência ao trabalhar com uma ferramenta eléctrica. Se estiver cansado ou sob influência de drogas, álcool ou medicamentos não efectue nenhum trabalho com ferramentas eléctricas.** Um momento de distração ao operar a ferramenta eléctrica pode causar ferimentos graves.
- ▶ **Use equipamento de segurança. Use sempre óculos de protecção.** Equipamento de segurança, como, por exemplo, máscara antipoeiras, sapatos de segurança antiderrapantes, capacete de segurança ou protecção auricular, de acordo com o tipo e aplicação da ferramenta eléctrica, reduzem o risco de lesões.
- ▶ **Evite um arranque involuntário. Assegure-se de que a ferramenta eléctrica está desligada antes de ligar à fonte de alimentação e/ou à bateria, pegar nela ou a transportar.** Transportar a ferramenta eléctrica com o dedo no interruptor ou ligar uma ferramenta à tomada com o interruptor ligado (ON) pode resultar em acidentes.
- ▶ **Remova quaisquer chaves de ajuste (chaves de fenda), antes de ligar a ferramenta eléctrica.** Um acessório ou chave deixado preso numa parte rotativa da ferramenta pode causar ferimentos.
- ▶ **Evite posturas corporais desfavoráveis. Mantenha sempre uma posição correcta, em perfeito equilíbrio.** Desta forma será mais fácil manter o controlo sobre a ferramenta eléctrica em situações inesperadas.
- ▶ **Use roupa apropriada. Não use roupa larga ou jóias. Mantenha o cabelo, vestuário e luvas afastados das peças móveis.** Roupas largas, jóias ou cabelos compridos podem ficar presos nas peças móveis.
- ▶ **Se poderem ser montados sistemas de remoção e de recolha de pó, assegure-se de que estes estão ligados e são utilizados correctamente.** A utilização de um sistema de remoção de pó pode reduzir os perigos relacionados com a exposição ao mesmo.
- ▶ **Não se acomode numa falsa sensação de segurança e não ignore os regulamentos de segurança para ferramentas eléctricas, mesmo se estiver familiarizado com a ferramenta eléctrica após numerosas utilizações.** Agir de forma descuidada pode causar ferimentos graves dentro duma fracção de segundo.

Utilização e manuseamento da ferramenta eléctrica

- ▶ **Não sobrecarregue a ferramenta. Use para o seu trabalho a ferramenta eléctrica correcta.** Com a ferramenta eléctrica adequada obterá maior eficiência e segurança se respeitar os seus limites.
- ▶ **Não utilize a ferramenta eléctrica se o interruptor estiver defeituoso.** Uma ferramenta eléctrica que já não possa ser accionada pelo interruptor é perigosa e deve ser reparada.
- ▶ **Retire a ficha da tomada e/ou remova uma bateria amovível antes de efectuar ajustes na ferramenta, substituir acessórios ou guardar a ferramenta.** Esta medida preventiva evita o accionamento accidental da ferramenta eléctrica.
- ▶ **Guarde ferramentas eléctricas não utilizadas fora do alcance das crianças. Não permita que a ferramenta seja utilizada por pessoas não familiarizadas com a mesma ou que não tenham lido estas instruções.** Ferramentas eléctricas operadas por pessoas não treinadas são perigosas.
- ▶ **Faça uma manutenção regular de ferramentas eléctricas e acessórios. Verifique se as partes móveis funcionam perfeitamente e não emperram ou se há peças quebradas ou danificadas que possam influenciar o funcionamento da ferramenta eléctrica. Peças danificadas devem**



ser reparadas antes da utilização da ferramenta. Muitos acidentes são causados por ferramentas eléctricas com manutenção deficiente.

- ▶ **Mantenha as ferramentas de corte sempre afiadas e limpas.** Acessórios com gumes afiados tratados correctamente emperram menos e são mais fáceis de controlar.
- ▶ **Utilize a ferramenta eléctrica, acessórios, bits, etc., de acordo com estas instruções. Tome também em consideração as condições de trabalho e o trabalho a ser efectuado.** A utilização da ferramenta eléctrica para outros fins além dos previstos, pode ocasionar situações de perigo.
- ▶ **Mantenha punhos e respectivas superfícies secos, limpos e isentos de óleo e gordura.** Punhos e superfícies afins escorregadios não permitem um manuseamento e controlo seguro da ferramenta eléctrica em situações imprevistas.

Manutenção

- ▶ **A sua ferramenta eléctrica só deve ser reparada por pessoal qualificado e só devem ser utilizadas peças sobressalentes originais.** Isto assegurará que a segurança da ferramenta eléctrica se mantenha.

2.2 Normas de segurança para martelos

Indicações de segurança para todos os trabalhos

- ▶ **Use protecção auricular.** Ruído em excesso pode levar à perda de audição.
- ▶ **Utilize os punhos auxiliares fornecidos com a ferramenta.** A perda de controlo da ferramenta pode causar ferimentos.
- ▶ **Segure a ferramenta pelas áreas isoladas dos punhos, quando executar trabalhos onde o acessório pode encontrar cabos eléctricos encobertos ou o próprio cabo de rede.** O contacto com um cabo sob tensão também pode colocar partes metálicas da ferramenta sob tensão e causar um choque eléctrico.

Indicações de segurança em caso de utilização de brocas compridas

- ▶ **Inicie o processo de perfuração sempre a baixas rotações e enquanto a broca estiver em contacto com a peça a trabalhar.** Se trabalhar com velocidades maiores, a broca poderá deformar-se ligeiramente, se poder rodar livremente, sem contacto com a peça a trabalhar, dando origem a ferimentos.
- ▶ **Não aplique uma pressão excessiva e apenas no sentido longitudinal relativamente à broca.** As brocas podem deformar-se e, deste modo, partir ou originar uma perda de controlo, dando origem a ferimentos.

2.3 Normas de segurança adicionais

Segurança física

- ▶ **Não é permitida a modificação ou manipulação da ferramenta.**
- ▶ **Mantenha os punhos secos, limpos e isentos de óleo e gordura.**
- ▶ **Certifique-se de que o punho auxiliar está correctamente montado e devidamente apertado. Segure a ferramenta sempre com as duas mãos nos punhos previstos para o efeito.**
- ▶ **Faça pausas durante o trabalho. Aproveite para relaxar os músculos e melhorar a circulação sanguínea nos dedos.**
- ▶ **A ferramenta não está concebida para pessoas debilitadas sem formação.**
- ▶ **Mantenha a ferramenta afastada das crianças.**
- ▶ **Evite o contacto com peças rotativas. Ligue a ferramenta apenas quando estiver no local de trabalho.** O contacto com peças rotativas, especialmente ferramentas rotativas, pode causar ferimentos.
- ▶ **Pós de materiais, como tinta com chumbo, algumas madeiras, betão/alvenaria/rochas quartzíferas, minerais e metal podem ser nocivos. O contacto ou a inalação do pó podem provocar reacções alérgicas e/ou doenças das vias respiratórias no utilizador ou em pessoas que se encontrem nas proximidades. Determinados pós, como os de carvalho ou de faia, são considerados cancerígenos, especialmente em combinação com aditivos para o tratamento de madeiras (cromato, produtos para a preservação de madeiras). Material que contenha amianto só pode ser manuseado por pessoal especializado. Se possível, utilize um aspirador de pó. Para alcançar um elevado grau de remoção de pó, utilize um aspirador móvel. Se necessário, utilize uma máscara de protecção respiratória adequada ao respectivo pó. Assegure-se de que o local de trabalho está bem ventilado. Respeite as regulamentações em vigor no seu país relativas aos materiais a trabalhar.**
- ▶ **Antes de iniciar os trabalhos, apure a classe de perigo do pó gerado. Utilize um aspirador industrial com protecção aprovada e que esteja de acordo com as regulamentações locais sobre emissão de poeiras nocivas para o ambiente.**



- ▶ Respeite os requisitos nacionais de segurança no trabalho.

Utilização e manutenção de ferramentas eléctricas

- ▶ **Mantenha fixa a peça a trabalhar. Para maior segurança e porque assim fica com ambas as mãos livres para segurar a ferramenta.** Desta forma a peça fica mais segura do que com as mãos e e, além disso, fica com ambas as mãos livres para operar a ferramenta.
- ▶ **Verifique se os acessórios utilizados são compatíveis com o sistema de encaixe e se estão correctamente encaixados no mandril.**
- ▶ **Em caso de corte de energia, desligue a ferramenta e retire a ficha da tomada; se for caso disso, solte o bloqueio do interruptor on/off.** Isto impede que a ferramenta seja colocada involuntariamente em funcionamento quando a energia for restabelecida.

Segurança eléctrica

- ▶ **Antes de iniciar os trabalhos, verifique o local de trabalho relativamente a cabos eléctricos encobertos, bem como tubos de gás e água, por ex., com um detector de metais.** Partes metálicas externas da ferramenta podem transformar-se em condutores de corrente se, por ex., uma linha eléctrica for danificada involuntariamente. Isto representa um sério perigo de choque eléctrico.
- ▶ **Verifique o cabo de conexão regularmente. Se danificado, deve ser imediatamente substituído por um especialista reconhecido. Quando o cabo de conexão da ferramenta eléctrica está danificado, deve ser substituído por um cabo de conexão específico e aprovado, que se encontra disponível através do Serviço de Clientes Hilti. Verifique as extensões de cabo regularmente. Se estiverem danificadas, deverão ser substituídas. Se danificar o cabo ou a extensão enquanto trabalha, não lhe toque. Retire a ficha de rede da tomada.** Cabos de conexão e extensões danificados representam um risco de choque eléctrico.
- ▶ **Deste modo, as ferramentas utilizadas frequentemente para trabalhar materiais condutores e, consequentemente, muito sujas, devem ser verificadas regularmente num Centro de Assistência Técnica Hilti.** Humidade ou sujidade na superfície da ferramenta dificultam o seu manuseio e, sob condições desfavoráveis, podem causar choques eléctricos.

Local de trabalho

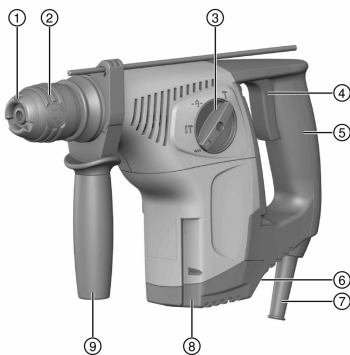
- ▶ **Ao realizar trabalhos de perfuração, vede a área que se encontra do lado oposto dos trabalhos.** Restos de demolição podem desprender-se e/ou cair e ferir outras pessoas.

Segurança pessoal

- ▶ **Use luvas de protecção.** O martelo perfurador pode ficar quente durante a utilização. No caso de substituição, tocar na ferramenta pode causar ferimentos por corte e queimaduras.

3 Descrição

3.1 Vista geral do produto



- ① Capa protectora contra pó
- ② Mandril TE-C Click
- ③ Selector de funções
- ④ Interruptor on/off
- ⑤ Punho
- ⑥ Comutador de rotação para a direita/esquerda
- ⑦ Cabo de alimentação
- ⑧ Ligação para módulo de aspiração de pó TE DRS-M
- ⑨ Punho auxiliar com limitador de profundidade



3.2 Utilização conforme a finalidade projectada

O produto descrito é um martelo perfurador eléctrico. Está concebido para furar em betão, alvenaria, gesso cartonado, madeira, plástico e metal. Além do mais, o martelo perfurador pode ser utilizado para leves trabalhos de cinzelamento em alvenaria e para trabalhos de acabamento de betão.

- ▶ Certifique-se de que a corrente eléctrica à qual a ferramenta é ligada está de acordo com a mencionada na placa de características.

3.3 Incluído no fornecimento

Martelo perfurador, punho auxiliar, limitador de profundidade, manual de instruções.

Poderá encontrar outros produtos de sistema aprovados para o seu produto no seu **Hilti Store** ou online, em: www.hilti.group | EUA: www.hilti.com

4 Características técnicas



Consulte a tensão nominal, corrente nominal, frequência e/ou potência nominal na sua placa de características específica do país.

Em caso de alimentação por um gerador ou transformador, a respectiva potência de saída deverá ter, no mínimo, o dobro da potência nominal indicada na placa de características da ferramenta. A tensão de serviço do transformador ou gerador deverá encontrar-se sempre entre +5% e -15% da tensão nominal da ferramenta.

	TE 7-C
Peso	7,7 lb (3,5 kg)
Ø Brocas perfuradoras	1/4 in ... 1 1/8 in
Ø Brocas perfuradoras	5 mm ... 28 mm
Ø Brocas para madeira	3/16 in ... 3/4 in
Ø Brocas para madeira	3 mm ... 20 mm
Ø Brocas para metal	≤ 13 in
Ø Brocas para metal	≤ 13 mm

5 Utilização

<p>Montagem do punho auxiliar</p> <p> CUIDADO</p> <p>Risco de ferimentos! Perigo de impedimento do trabalho do utilizador pelo limitador de profundidade montado, mas não utilizado.</p> <ul style="list-style-type: none"> ▶ Retire o limitador de profundidade da ferramenta. <hr/> <p> CUIDADO</p> <p>Risco de ferimentos! Perda do controlo sobre o produto.</p> <ul style="list-style-type: none"> ▶ Certifique-se de que o punho auxiliar está correctamente montado e devidamente apertado. Certifique-se de que a fita tensora está aplicada na ranhura prevista para o efeito no produto. 	2
<p>Montar/desmontar o mandril</p> <p> CUIDADO</p> <p>Risco de ferimentos! Perigo de impedimento do trabalho do utilizador pelo limitador de profundidade montado, mas não utilizado.</p> <ul style="list-style-type: none"> ▶ Retire o limitador de profundidade da ferramenta. <hr/> <p> Durante a troca do mandril, seleccione no selector de funções a posição "Cinzelar" T.</p>	3



Colocar / retirar o acessório A utilização de uma massa lubrificante não adequada pode provocar danos no produto. Utilize apenas massa lubrificante original da Hilti.	4
Ajustar o limitador de profundidade	5
Furar sem percussão	6
Furar com percussão (furar de martelo)	6
Cinzelar	6
Posicionar o cinzel CUIDADO Risco de ferimentos Perda do controlo sobre a direcção de cinzelamento. ▶ Não trabalhe na posição "Posicionar cinzel". Coloque o selector de funções na posição "Cinzelar" , até engatar.	6
O cinzel pode ser fixo em 18 posições diferentes (em incrementos de 20°). Assim, tanto os cinzéis planos como os cinzéis côncavos podem ser ajustados na posição ideal para o trabalho em causa.	
Rotação direita / esquerda	7

6 Conservação e manutenção

AVISO

Perigo devido a choque eléctrico! A conservação e manutenção com a ficha de ligação inserida pode originar ferimentos graves e queimaduras.

- ▶ Retirar sempre a ficha de ligação antes de todos os trabalhos de conservação e manutenção!

Conservação

- Remover a sujidade persistente com cuidado.
- Limpe as saídas de ar cuidadosamente com uma escova seca.
- Limpar a carcaça apenas com um pano ligeiramente humedecido. Não utilizar produtos de conservação que contenham silicone, uma vez que estes poderiam danificar os componentes de plástico.

Manutenção

AVISO

Perigo devido a choque eléctrico! Reparações incorrectas em peças eléctricas podem causar ferimentos e queimaduras graves.

- ▶ As reparações na parte eléctrica apenas podem ser executadas por um electricista especializado.
- Verificar, regularmente, todos os componentes visíveis quanto a danos e os comandos operativos quanto a funcionamento perfeito.
- Em caso de danos e/ou perturbações de funcionamento, não operar o produto. Mandar reparar de imediato pelo Centro de Assistência Técnica **Hilti**.
- Após os trabalhos de conservação e manutenção, aplicar todos os dispositivos de protecção e verificar o respectivo funcionamento.



Para um funcionamento seguro, utilize apenas peças sobresselentes e consumíveis originais. Poderá encontrar peças sobresselentes, consumíveis e acessórios aprovados por nós para o seu produto no seu **Hilti Store** ou em: **www.hilti.group**.

6.1 Substituir a capa protectora contra pó

- ▶ Substitua a capa protectora contra pó.

7 Transporte e armazenamento

Transporte

- ▶ Não transporte este produto com a ferramenta inserida.
- ▶ Certificar-se de que está bem apertado durante o transporte.



- ▶ Após cada transporte, verifique todos os componentes visíveis quanto a danos e os comandos operativos quanto a funcionamento perfeito.

Armazenamento

- ▶ Armazene este produto sempre com a ficha de rede retirada.
- ▶ Guarde este produto num local seco e fora do alcance das crianças e pessoas não autorizadas.
- ▶ Após um armazenamento prolongado, verifique todos os componentes visíveis quanto a danos e os comandos operativos quanto a funcionamento perfeito.

8 Ajuda em caso de avarias

No caso de avarias que não sejam mencionadas nesta tabela ou se não conseguir resolvê-las por si mesmo, contacte o nosso Centro de Assistência Técnica **Hilti**.

8.1 Ajuda em caso de avarias

No caso de avarias que não sejam mencionadas nesta tabela ou se não conseguir resolvê-las por si mesmo, contacte o nosso Centro de Assistência Técnica **Hilti**.

Avaria	Causa possível	Solução
A ferramenta não arranca.	Alimentação eléctrica interrompida.	▶ Insira outra ferramenta eléctrica e verifique o funcionamento.
Não tem percussão.	Ferramenta demasiado fria.	▶ Coloque o martelo perfurador sobre a base e deixe-o trabalhar em vazio. Se necessário, repita, até o mecanismo de percussão trabalhar.
	Selector de funções na posição "Furar sem percussão"	▶ Coloque o selector de funções na posição "Furar com percussão"
Frac performance do martelo perfurador.	Extensão de cabo tem secção inadequada.	▶ Utilize uma extensão de cabo com secção permitida.
	O interruptor on/off não foi totalmente pressionado.	▶ Pressione o interruptor on/off o máximo possível.
A broca não roda.	Selector de funções não está engatado ou na posição "Cinzelar" ou "Posicionar cinzel" .	▶ Coloque o selector de funções na posição "Furar sem percussão" ou "Furar com percussão" .
A broca ficou presa no mandril.	O mandril não está completamente puxado para trás.	▶ Puxe o bloqueio da ferramenta para trás, até ao batente, e retire a ferramenta.
A broca não avança.	O comutador está na posição "Rotação para a esquerda".	▶ Coloque a ferramenta na posição de rotação para a direita.

9 Reciclagem

As ferramentas **Hilti** são, em grande parte, fabricadas com materiais recicláveis. Um pré-requisito para a reciclagem é que esses materiais sejam devidamente separados. Em muitos países, a **Hilti** aceita a sua ferramenta usada para reutilização. Para mais informações dirija-se ao Serviço de Clientes **Hilti** ou ao seu vendedor.



- ▶ Não deite as ferramentas eléctricas, aparelhos electrónicos e baterias no lixo doméstico!

10 Garantia do fabricante

- ▶ Se tiver dúvidas em relação às condições de garantia, contacte o seu parceiro **Hilti** local.



This Product is Certified
Ce produit est homologué
Producto homologado por
Este producto está registrado





Hilti Corporation
LI-9494 Schaan
Tel.:+423 234 21 11
Fax:+423 234 29 65
www.hilti.com



202931