

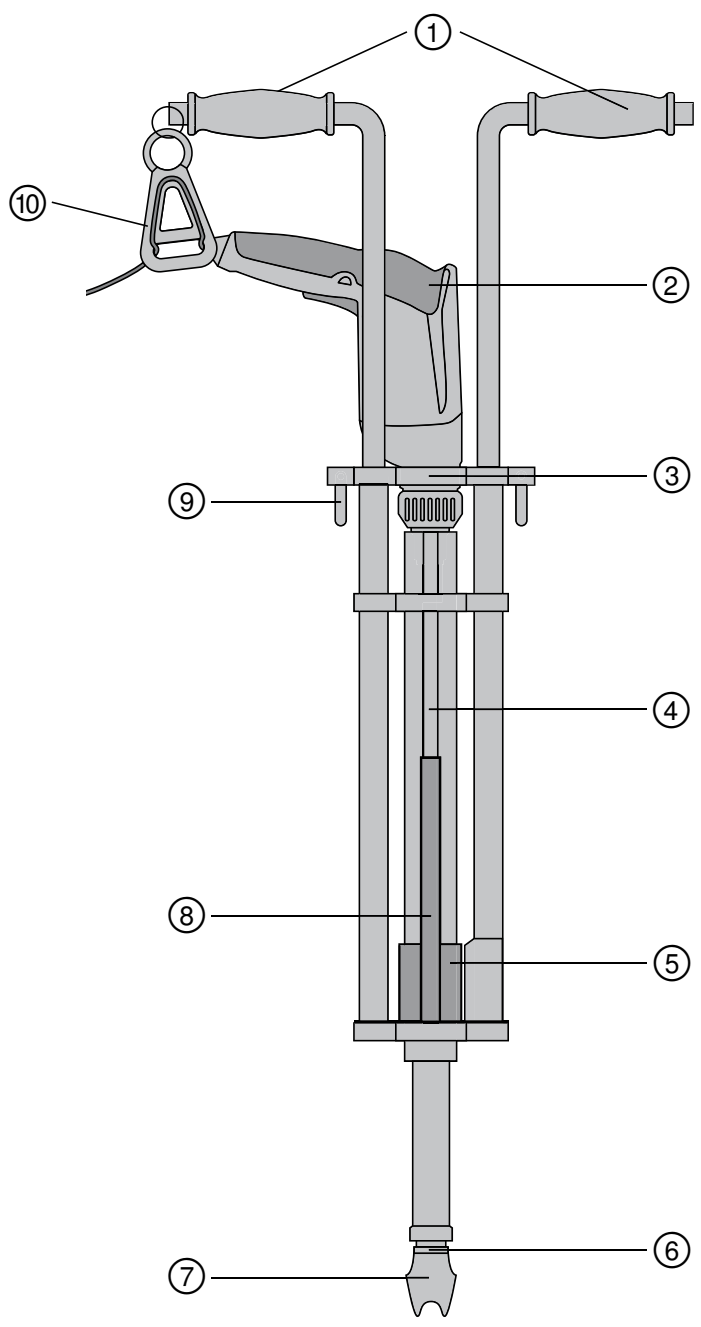
# HILTI

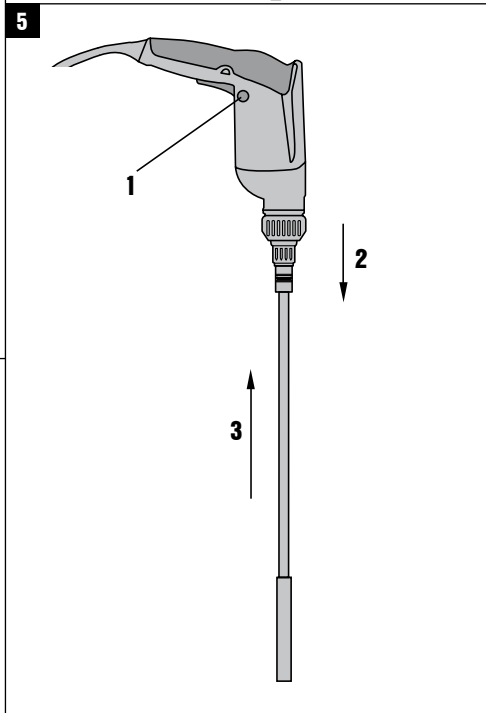
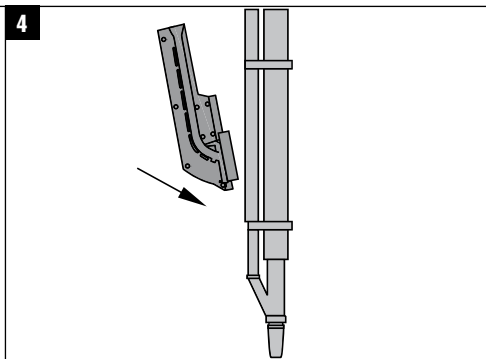
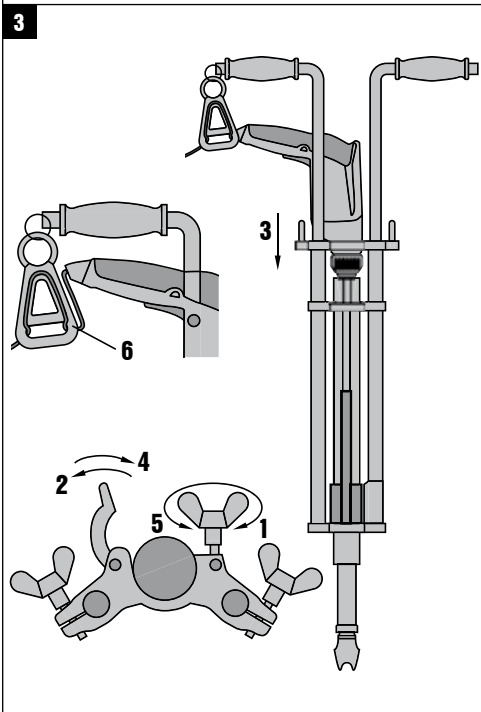
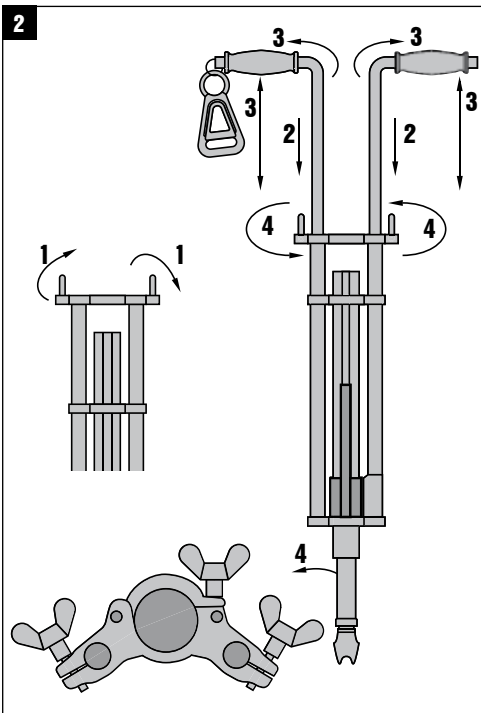
## SDT 5

<b>Bedienungsanleitung</b>	<b>de</b>
<b>Operating instructions</b>	<b>en</b>
<b>Mode d'emploi</b>	<b>fr</b>
<b>Istruzioni d'uso</b>	<b>it</b>
<b>Manual de instrucciones</b>	<b>es</b>
<b>Manual de instruções</b>	<b>pt</b>
<b>Gebruiksaanwijzing</b>	<b>nl</b>
<b>Brugsanvisning</b>	<b>da</b>
<b>Bruksanvisning</b>	<b>sv</b>
<b>Bruksanvisning</b>	<b>no</b>
<b>Käyttöohje</b>	<b>fi</b>
<b>Οδηγίες χρήσεως</b>	<b>el</b>
<b>Használati utasítás</b>	<b>hu</b>
<b>Instrukcja obsługi</b>	<b>pl</b>
<b>Инструкция по эксплуатации</b>	<b>ru</b>
<b>Návod k obsluze</b>	<b>cs</b>
<b>Návod na obsluhu</b>	<b>sk</b>
<b>Upute za uporabu</b>	<b>hr</b>
<b>Navodila za uporabo</b>	<b>sl</b>
<b>Ръководство за обслужване</b>	<b>bg</b>
<b>Instrucţiuni de utilizare</b>	<b>ro</b>
<b>Kullanma Talimatı</b>	<b>tr</b>
<b>دليل الاستعمال</b>	<b>ar</b>
<b>Lietošanas pamācība</b>	<b>lv</b>
<b>Instrukcija</b>	<b>lt</b>
<b>Kasutusjuhend</b>	<b>et</b>
<b>ІНСТРУКЦІЯ З ЕКСПЛУАТАЦІЇ</b>	<b>uk</b>
<b>Пайдалану бойынша басшылық</b>	<b>kk</b>
<b>取扱説明書</b>	<b>ja</b>
<b>사용설명서</b>	<b>ko</b>
<b>操作説明書</b>	<b>zh</b>

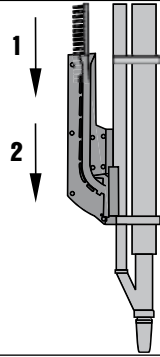
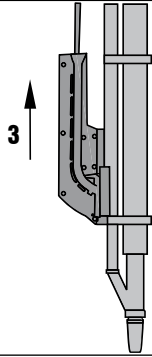


1

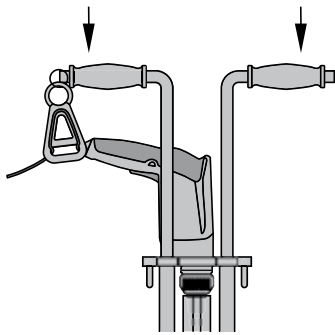




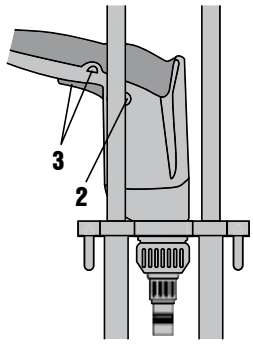
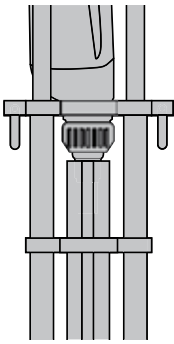
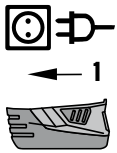
6



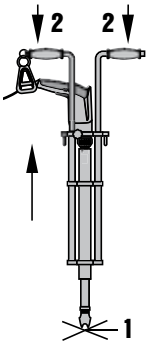
7



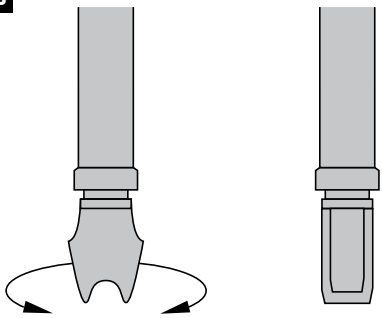
8

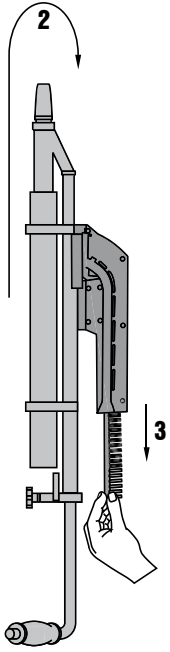
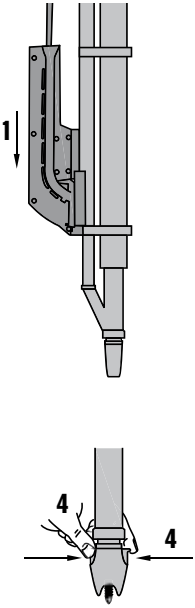


9



10





# ORIGINAL OPERATING INSTRUCTIONS

## SDT 5 stand-up tool

en

**It is essential that the operating instructions are read before the appliance is operated for the first time.**

**Always keep these operating instructions together with the appliance.**

**Ensure that the operating instructions are with the appliance when it is given to other persons.**

Contents	Page
1 General information	6
2 Description	7
3 Accessories	7
4 Technical data	7
5 Safety instructions	8
6 Before use	8
7 Operation	9
8 Care and maintenance	10
9 Disposal	10
10 Manufacturer's warranty	10

**1** These numbers refer to the corresponding illustrations. The illustrations can be found on the fold-out cover pages. Keep these pages open while studying the operating instructions.

In these operating instructions, the designation "the appliance" always refers to the SDT 5 stand-up decking fastening tool.

### Operating controls and parts **1**

- ① Grips
- ② Hilti metal construction screwdriver (ST 1800-A18, ST 1800-A22, ST 18 or ST 1800)
- ③ Clamping bar
- ④ Main module
- ⑤ Breech
- ⑥ Nosepiece
- ⑦ Jaws
- ⑧ Magazine guide
- ⑨ Wing nut
- ⑩ Supply cord strain relief clasp

## 1 General information

### 1.1 Safety notices and their meaning

#### DANGER

Draws attention to imminent danger that will lead to serious bodily injury or fatality.

#### WARNING

Draws attention to a potentially dangerous situation that could lead to serious personal injury or fatality.

#### CAUTION

Draws attention to a potentially dangerous situation that could lead to slight personal injury or damage to the equipment or other property.

#### NOTE

Draws attention to an instruction or other useful information.

### 1.2 Explanation of the pictograms and other information

#### Warning signs



General warning



Warning: electricity

#### Obligation signs



Wear eye protection.



Wear ear protection.



Wear protective gloves.



Wear safety shoes.

## Symbols



Read the operating instructions before use.

## Location of identification data on the appliance

The type designation and the serial number are stamped on the rear of the appliance. Make a note of this data in your operating instructions and always refer to it when making an enquiry to your Hilti representative or service department.

en

## 2 Description

### 2.1 Use of the product as directed

The stand-up decking fastening tool is an accessory for use with Hilti metal construction screwdrivers. The unit (screwdriver and stand-up tool) is used to drive the recommended metal construction screws (collated self-drilling screws) in sheet metal. The stand-up tool is designed to be used to fasten metal sheets by driving screws downwards into steel supports. The total thickness of the items through which the screws are driven (metal sheets and steel support) must not exceed 15 mm.

The working environment may be a construction site of any kind where metal construction work is taking place. Use only the specified accessory items. The general safety instructions listed in the operating instructions must be observed.

### 2.2 The items supplied include:

- 1 SDT 5 stand-up fastening tool for decking
- 1 Bit (system socket)
- 1 Operating instructions
- 1 Cardboard box

## 3 Accessories

### SDT 5

Designation
Magazine guide
Bag for screw strips

## 4 Technical data

Right of technical changes reserved.

The appliance	SDT 5
Weight of the appliance without screwdriver and screws	3.9 kg
Hilti metal constr. screwdriver chuck type	1/4"Hex. socket
Chuck / bit or socket	1/4"Hexagon
Height adjustment	76...118 cm
Forward / reverse	X
Screw capacity	Max. 50

## 5 Safety instructions

### 5.1 Basic information concerning safety

Observe the safety information and the operating instructions for the Hilti metal construction screwdriver used.

**In addition to the information relevant to safety given in each of the sections of these operating instructions, the following safety instructions must be strictly observed at all times.**

The Hilti metal construction screwdriver can then be used in the stand-up tool with maximum safety.

### 5.2 Requirements to be met by users



- The machine is intended for professional use.
- The machine may be operated, serviced and repaired only by authorized, trained personnel. This personnel must be informed of any special hazards that may be encountered.
- Always concentrate on your work. Think carefully about what you are doing and do not use the appliance if you are unable to concentrate.
- Check that the core bits used are compatible with the chuck system and that they are secured in the chuck correctly.
- Concealed electric cables or gas and water pipes present a serious hazard if damaged while you are working. Accordingly, check the working area before you begin. External metal parts of the ap-

pliance or machine may become live, for example, when an electric cable is damaged accidentally.

- Hold tool by insulated gripping surfaces when performing an operation where the cutting tool may contact hidden wiring or its own cord.** Contact with a "live" wire will make exposed metal parts of the tool "live" and shock the operator.
- Always lead the supply cord and extension cord away from the appliance to the rear while working.** This helps to avoid tripping over the cord while working.
- The appliance may spring back if released suddenly while under tension (e.g. when pressed down), presenting a risk of injury (especially bruising). **Release the spring pressure in the appliance in a controlled manner.**
- Take care when the appliance is under tension and turned upside down. **Keep well away from the nosepiece.** It may suddenly spring out, presenting a considerable risk of injury.
- Follow the instructions concerning care and maintenance.**
- Improve the blood circulation in your fingers by relaxing your hands and exercising your fingers during breaks between working.**

### 5.3 Personal protective equipment



The user and any other persons in the vicinity must wear suitable eye protection, ear protection and safety footwear while the appliance is in use.

## 6 Before use



### DANGER

Wear gloves when assembling or disassembling the appliance, when making adjustments to it or when remedying malfunctions.

### 6.1 Fit the Hilti metal construction screwdriver to the appliance.

#### 6.1.1 Fitting the grips 2

- Release the two wing nuts on the main module.
- Push the two grips into the lower tubular sections.
- Adjust the height and angle of the grips. In order to ensure that the grips can be clamped securely in position, the grips should not be extended beyond a maximum length of 118 cm..

- Secure the grips by tightening the wing nuts.

#### 6.1.2 Fitting the magazine 4

Bring the magazine into position at the breech from behind and then engage it with the upper and lower tubular sections.

#### 6.1.3 Preparing the Hilti metal construction screwdriver for use 5

- Set the Hilti metal construction screwdriver to forwards rotation.  
**NOTE** The screws cannot be driven if the direction of rotation is set incorrectly.
- Remove the depth gauge from the Hilti metal construction screwdriver.
- Fit the bit holder and socket to the Hilti metal construction screwdriver.  
**NOTE** Check to ensure that the bit engages securely.



### 6.1.4 Fitting the Hilti metal construction screwdriver 3

1. Release the wing nut at the clamping bar on the main module.
2. Open the clamping bar.
3. Insert the Hilti metal construction screwdriver into the top end of the main barrel.

4. Close the clamping bar.
5. Secure the Hilti metal construction screwdriver by tightening the wing nut.
6. Pass the supply cord through the supply cord strain relief clasp on the grip.  
**NOTE** Feed a loop of the cord through from below and then pull it over the clip.  
**NOTE** Check that the supply cord cannot be pulled out of the clasp.

## 7 Operation



### CAUTION

The screwdriving operation may cause the material to splinter. **Wear eye protection.** Splintering material presents a risk of injury to the eyes and body.

### 7.1 Loading screws into the appliance 6

1. Insert the magazine strip into the magazine from above.
2. Push the magazine strip firmly into the magazine until all screws have fallen into the magazine.
3. Remove the empty magazine strip from the appliance.
4. Two magazine strips of 25 screws can be inserted. The second magazine strip must remain in the appliance.

### 7.2 Loading the first screw 7

Press the appliance down fully against the working surface. The appliance returns to its outset position under spring pressure.

A screw becomes visible at the nosepiece.

### 7.3 Switching on the Hilti metal construction screwdriver 8

1. Plug the power tool's supply cord into the electric socket or fit the battery to the Hilti metal construction screwdriver.

2. Set the Hilti metal construction screwdriver to forwards rotation.  
**NOTE** The screws cannot be driven if the direction of rotation is set incorrectly.
3. Switch the Hilti metal construction screwdriver on in sustained operating mode by pressing the on / off switch fully and then pressing the switch lockbutton.

### 7.4 Driving screws 9

1. Bring the nosepiece to the position where the screw is to be driven.
2. **DANGER** Always hold the appliance securely at the grips provided.  
Drive the screw by pressing the appliance down as far as it will go.  
**NOTE** The appliance must be pressed down fully again each time a screw is to be driven.  
**NOTE** The torque setting suitable for the application should be checked and adjusted as necessary on the Hilti metal construction screwdriver when preparing the appliance for use.  
The appliance returns to its outset position under spring pressure.

### 7.5 Driving screws in tight corners 10

The nosepiece can be rotated through 90° in order to allow a more comfortable working position.

### 7.6 Removing screws from the magazine 11

1. Push the empty magazine strip back into the appliance.
2. Turn the appliance upside down, i.e. the nosepiece points upwards. The screws slide back into the magazine strip.  
**NOTE** It may be necessary to shake the appliance slightly.
3. Pull the magazine strip out of the appliance.
4. Remove the last screw remaining in the nosepiece by opening the retaining jaws.

## 8 Care and maintenance

### CAUTION

Before beginning cleaning, unplug the supply cord or remove the battery from the power tool in order to prevent unintentional starting.

### DANGER

Remove the ST 1800-A screwdriver, bit and magazine guide from the stand-up tool.

#### 8.1 Care of screwdriving bits

Clean off dirt and dust deposits adhering to the screw-driving bits and spindle and protect them from corrosion by wiping them from time to time with an oil-soaked rag.

#### 8.2 Care of the appliance

### DANGER

Keep the grips dry, clean and free from oil and grease.

The appliance can be washed under running water if it has become very dirty. The appliance should then be dried and rubbed with an oily cloth to prevent corrosion.

#### 8.3 Maintenance

Check all external parts of the appliance for damage at regular intervals and check that all controls operate faultlessly. Do not operate the appliance if parts are damaged or when the controls do not function faultlessly. If necessary, the appliance should be repaired by Hilti Service.

#### 8.4 Checking the appliance after care and maintenance

After carrying out care and maintenance, drive several screws in order to check that the appliance functions correctly.

## 9 Disposal



Most of the materials from which Hilti tools and appliances are manufactured can be recycled. The materials must be correctly separated before they can be recycled. In many countries, Hilti has already made arrangements for taking back old tools and appliances for recycling. Ask Hilti customer service or your Hilti representative for further information. Should you wish to return the appliance yourself to a disposal facility for recycling, dismantle it as far as possible without need for special tools.

Separate the individual parts as follows:

Part / assembly	Main material	Recycling
Grips	Plastic	Plastics recycling
Gripping bars	Aluminium	Scrap metal
Magazine guide	Plastic	Plastics recycling
Main module	Steel, aluminium, plastic	Scrap metal, plastics recycling
Screws, small parts	Steel	Scrap metal

## 10 Manufacturer's warranty

Hilti warrants that the tool supplied is free of defects in material and workmanship. This warranty is valid so long as the tool is operated and handled correctly, cleaned and serviced properly and in accordance with the Hilti Operating Instructions, and the technical system is maintained. This means that only original Hilti consumables, components and spare parts may be used in the tool.

This warranty provides the free-of-charge repair or replacement of defective parts only over the entire lifespan of the tool. Parts requiring repair or replacement as a result of normal wear and tear are not covered by this warranty.

**Additional claims are excluded, unless stringent national rules prohibit such exclusion. In particular, Hilti is not obligated for direct, indirect, incidental or consequential damages, losses or expenses in connection with, or by reason of, the use of, or inability to use the tool for any purpose. Implied warranties of merchantability or fitness for a particular purpose are specifically excluded.**

For repair or replacement, send the tool or related parts immediately upon discovery of the defect to the address of the local Hilti marketing organization provided.

This constitutes Hilti's entire obligation with regard to | comments and oral or written agreements concerning  
warranty and supersedes all prior or contemporaneous | warranties.

en



Hilti Corporation

LI-9494 Schaan

Tel.: +423/234 21 11

Fax: +423/234 29 65

[www.hilti.com](http://www.hilti.com)

Hilti = registered trademark of Hilti Corp., Schaan

W 4256 | 1212 | 00-Pos. 1 | 1

Printed in Liechtenstein © 2012

Right of technical and programme changes reserved S. E. & O.

2061808 / A2



2061808