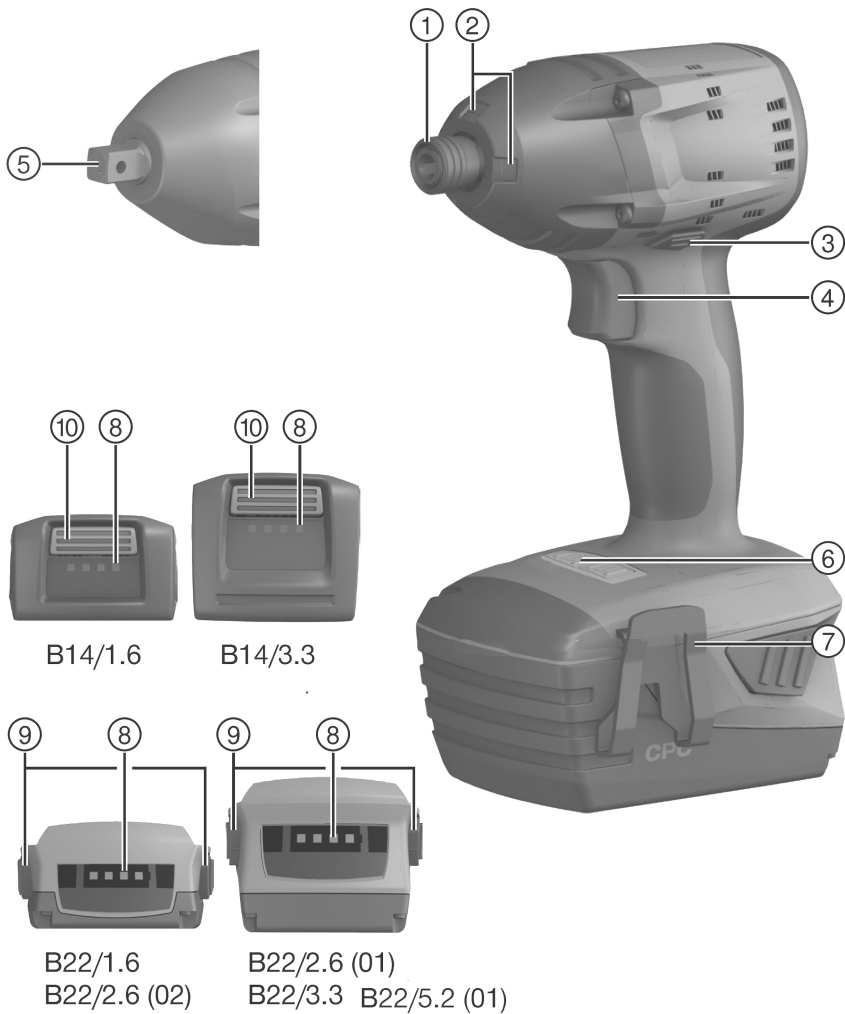


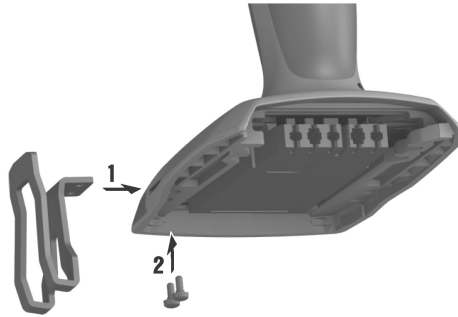


SID 14-A
SID 22-A
SIW 14-A
SIW 22-A

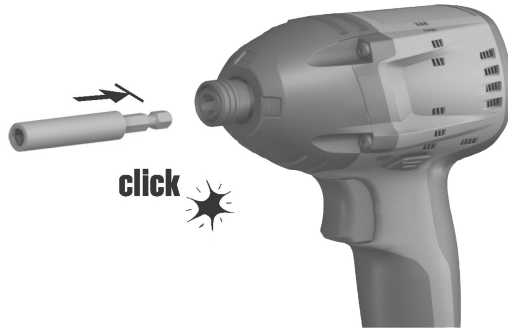
English	1
Français	13
Dansk	26
Svenska	38
Norsk	51
Suomi	63
Русский	75
Türkçe	89
عربي	103
Latviešu	117
Lietuvių	130
Eesti	143
Українська	155
Қазақ	169
日本語	183
한국어	195
繁體中文	207
中文	218



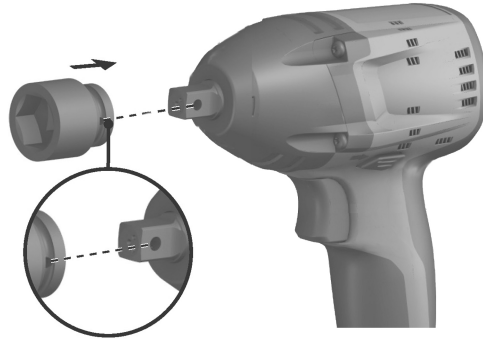
2



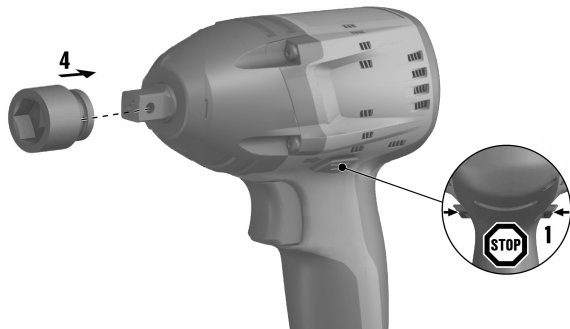
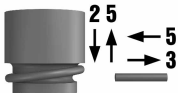
3



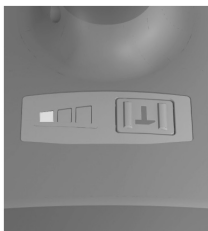
4



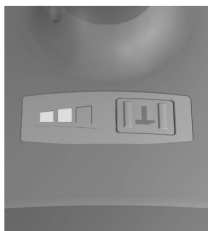
5



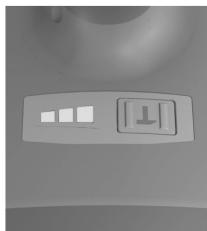
6



I

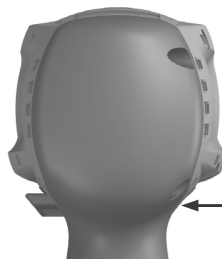
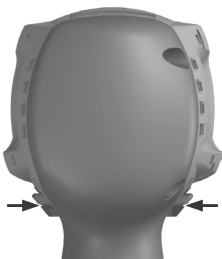
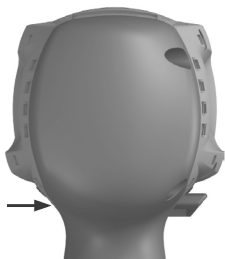


II

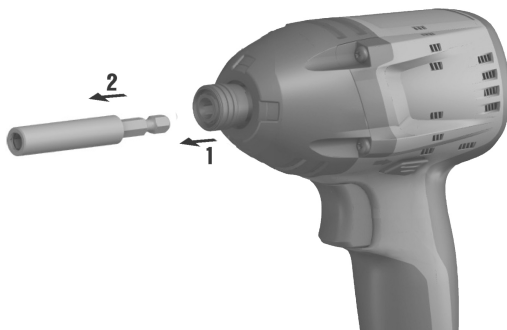


III

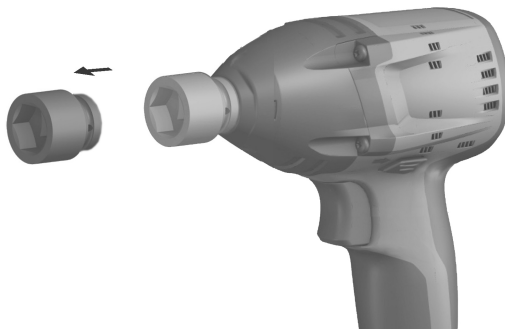
7

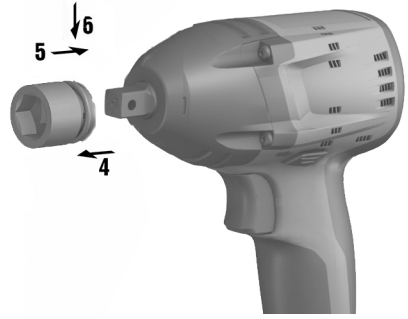
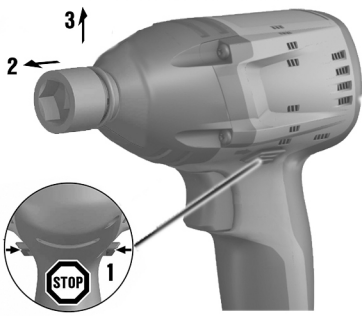


8



9





SID 14-A

SID 22-A

SIW 14-A

SIW 22-A

en	Original operating instructions	1
fr	Mode d'emploi original	13
da	Original brugsanvisning	26
sv	Originalbruksanvisning	38
no	Original bruksanvisning	51
fi	Alkuperäiset ohjeet	63
ru	Перевод оригинального руководства по эксплуатации	75
tr	Orijinal kullanım kılavuzu	89
ar	دليل الاستعمال الأصلي	103
lv	Originālā lietošanas instrukcija	117
lt	Originali naudojimo instrukcija	130
et	Originaalkasutusjuhend	143
uk	Оригінальна інструкція з експлуатації	155
kk	Түпнұсқа пайдалану бойынша нұсқаулық	169
ja	オリジナル取扱説明書	183
ko	오리지널 사용 설명서	195
zh	原始操作說明	207
cn	原版操作说明	218

Original operating instructions

1 Information about the documentation

1.1 About this documentation

- Read this documentation before initial operation or use. This is a prerequisite for safe, trouble-free handling and use of the product.
- Observe the safety instructions and warnings in this documentation and on the product.
- Always keep the operating instructions with the product and make sure that the operating instructions are with the product when it is given to other persons.

1.2 Explanation of symbols used

1.2.1 Warnings

Warnings alert persons to hazards that occur when handling or using the product. The following signal words are used:



DANGER

DANGER !

- ▶ Draws attention to imminent danger that will lead to serious personal injury or fatality.



WARNING

WARNING !

- ▶ Draws attention to a potential threat of danger that can lead to serious injury or fatality.



CAUTION

CAUTION !

- ▶ Draws attention to a potentially dangerous situation that could lead to slight personal injury or damage to the equipment or other property.

1.2.2 Symbols in the documentation

The following symbols are used in this document:



Read the operating instructions before use.



Instructions for use and other useful information



Dealing with recyclable materials



Do not dispose of electric equipment and batteries as household waste

1.2.3 Symbols in the illustrations

The following symbols are used in illustrations:



These numbers refer to the corresponding illustrations found at the beginning of these operating instructions



The numbering reflects the sequence of operations shown in the illustrations and may deviate from the steps described in the text



Item reference numbers are used in the **overview illustrations** and refer to the numbers used in the **product overview section**



This symbol is intended to draw special attention to certain points when handling the product.



1.3 Product-dependent symbols

1.3.1 Symbols on the product

The following symbols can be used on the product:

	Drilling without hammer action
	Hammer drilling
/min	Revolutions per minute
n_0	Rated speed under no load
	Direct current (DC)
Li-Ion	Li-ion battery
	HilTi Li-ion battery type series used. Observe the information given in the section headed Intended use .
	The power tool supports near-field communication (NFC) technology, which is compatible with iOS and Android platforms.
	Never use the battery as a striking tool.
	Do not drop the battery. Never use a battery that has suffered an impact or is damaged in any other way.

1.4 Product information

products are designed for professional users and only trained, authorized personnel are permitted to operate, service and maintain the products. This personnel must be specifically informed about the possible hazards. The product and its ancillary equipment can present hazards if used incorrectly by untrained personnel or if used not in accordance with the intended use.

The type designation and serial number are printed on the rating plate.

- ▶ Write down the serial number in the table below. You will be required to state the product details when contacting Hilti Service or your local Hilti organization to inquire about the product.

Product information

Cordless screwdriver	SID 14-A, SID 22-A
Cordless impact wrench	SIW 14-A, SIW 22-A
Generation:	01
Serial no.:	

1.5 Declaration of conformity

We declare, on our sole responsibility, that the product described here complies with the applicable directives and standards. A copy of the declaration of conformity can be found at the end of this documentation.

The technical documentation is filed here:

Hilti Entwicklungsgesellschaft mbH | Tool Certification | Hiltistrasse 6 | 86916 Kaufering, Germany

2 Safety

2.1 General power tool safety warnings

⚠ WARNING Read all safety warnings, instructions, illustrations and specifications provided with this power tool. Failure to follow all instructions listed below may result in electric shock, fire and/or serious injury. **Save all warnings and instructions for future reference.**

The term "power tool" in the warnings refers to your mains-operated (corded) power tool or battery-operated (cordless) power tool.

Work area safety

- ▶ **Keep work area clean and well lit.** Cluttered or dark areas invite accidents.



- ▶ **Do not operate power tools in explosive atmospheres, such as in the presence of flammable liquids, gases or dust.** Power tools create sparks which may ignite the dust or fumes.
- ▶ **Keep children and bystanders away while operating a power tool.** Distractions can cause you to lose control.

Electrical safety

- ▶ **Power tool plugs must match the outlet. Never modify the plug in any way. Do not use any adapter plugs with earthed (grounded) power tools.** Unmodified plugs and matching outlets will reduce risk of electric shock.
- ▶ **Avoid body contact with earthed or grounded surfaces, such as pipes, radiators, ranges and refrigerators.** There is an increased risk of electric shock if your body is earthed or grounded.
- ▶ **Do not expose power tools to rain or wet conditions.** Water entering a power tool will increase the risk of electric shock.
- ▶ **Do not abuse the cord. Never use the cord for carrying, pulling or unplugging the power tool. Keep cord away from heat, oil, sharp edges or moving parts.** Damaged or entangled cords increase the risk of electric shock.
- ▶ **When operating a power tool outdoors, use an extension cord suitable for outdoor use.** Use of a cord suitable for outdoor use reduces the risk of electric shock.
- ▶ **If operating a power tool in a damp location is unavoidable, use a residual current device (RCD) protected supply.** Use of an RCD reduces the risk of electric shock.

Personal safety

- ▶ **Stay alert, watch what you are doing and use common sense when operating a power tool. Do not use a power tool while you are tired or under the influence of drugs, alcohol or medication.** A moment of inattention while operating power tools may result in serious personal injury.
- ▶ **Use personal protective equipment. Always wear eye protection.** Protective equipment such as a dust mask, non-skid safety shoes, hard hat or hearing protection used for appropriate conditions will reduce personal injuries.
- ▶ **Prevent unintentional starting. Ensure the switch is in the off-position before connecting to power source and/or battery pack, picking up or carrying the tool.** Carrying power tools with your finger on the switch or energising power tools that have the switch on invites accidents.
- ▶ **Remove any adjusting key or wrench before turning the power tool on.** A wrench or a key left attached to a rotating part of the power tool may result in personal injury.
- ▶ **Do not overreach. Keep proper footing and balance at all times.** This enables better control of the power tool in unexpected situations.
- ▶ **Dress properly. Do not wear loose clothing or jewellery. Keep your hair and clothing away from moving parts.** Loose clothes, jewellery or long hair can be caught in moving parts.
- ▶ **If devices are provided for the connection of dust extraction and collection facilities, ensure these are connected and properly used.** Use of dust collection can reduce dust-related hazards.
- ▶ **Do not let familiarity gained from frequent use of tools allow you to become complacent and ignore tool safety principles.** A careless action can cause severe injury within a fraction of a second.

Power tool use and care

- ▶ **Do not force the power tool. Use the correct power tool for your application.** The correct power tool will do the job better and safer at the rate for which it was designed.
- ▶ **Do not use the power tool if the switch does not turn it on and off.** Any power tool that cannot be controlled with the switch is dangerous and must be repaired.
- ▶ **Disconnect the plug from the power source and/or remove the battery pack, if detachable, from the power tool before making any adjustments, changing accessories, or storing power tools.** Such preventive safety measures reduce the risk of starting the power tool accidentally.
- ▶ **Store idle power tools out of the reach of children and do not allow persons unfamiliar with the power tool or these instructions to operate the power tool.** Power tools are dangerous in the hands of untrained users.
- ▶ **Maintain power tools and accessories. Check for misalignment or binding of moving parts, breakage of parts and any other condition that may affect the power tool's operation. If damaged, have the power tool repaired before use.** Many accidents are caused by poorly maintained power tools.
- ▶ **Keep cutting tools sharp and clean.** Properly maintained cutting tools with sharp cutting edges are less likely to bind and are easier to control.
- ▶ **Use the power tool, accessories and tool bits etc. in accordance with these instructions, taking into account the working conditions and the work to be performed.** Use of the power tool for operations different from those intended could result in a hazardous situation.



- ▶ **Keep handles and grasping surfaces dry, clean and free from oil and grease.** Slippery handles and grasping surfaces do not allow for safe handling and control of the tool in unexpected situations.

Battery tool use and care

- ▶ **Recharge only with the charger specified by the manufacturer.** A charger that is suitable for one type of battery pack may create a risk of fire when used with another battery pack.
- ▶ **Use power tools only with specifically designated battery packs.** Use of any other battery packs may create a risk of injury and fire.
- ▶ **When battery pack is not in use, keep it away from other metal objects, like paper clips, coins, keys, nails, screws or other small metal objects, that can make a connection from one terminal to another.** Shorting the battery terminals together may cause burns or a fire.
- ▶ **Under abusive conditions, liquid may be ejected from the battery; avoid contact. If contact accidentally occurs, flush with water. If liquid contacts eyes, additionally seek medical help.** Liquid ejected from the battery may cause irritation or burns.
- ▶ **Do not use a battery pack or tool that is damaged or modified.** Damaged or modified batteries may exhibit unpredictable behaviour resulting in fire, explosion or risk of injury.
- ▶ **Do not expose a battery pack or tool to fire or excessive temperature.** Exposure to fire or temperature above 130° C (265 °F) may cause explosion.
- ▶ **Follow all charging instructions and do not charge the battery pack or tool outside the temperature range specified in the instructions.** Charging improperly or at temperatures outside the specified range may damage the battery and increase the risk of fire.

Service

- ▶ **Have your power tool serviced by a qualified repair person using only identical replacement parts.** This will ensure that the safety of the power tool is maintained.
- ▶ **Never service damaged battery packs.** Service of battery packs should only be performed by the manufacturer or authorized service providers.

2.2 Safety warnings for screwdrivers and impact wrenches

- ▶ **Hold the power tool by insulated gripping surfaces, when performing an operation where the fastener may contact hidden wiring.** Fasteners contacting a "live" wire may make exposed metal parts of the power tool "live" and could give the operator an electric shock.

2.3 Additional safety precautions for screwdrivers

Personal safety

- ▶ Use the product only when it is in perfect working order.
- ▶ Never tamper with or modify the tool in any way.
- ▶ Use the auxiliary grips supplied with the power tool. Loss of control can cause personal injury.
- ▶ Always hold the tool firmly with both hands on the grips provided. Keep the grips clean and dry.
- ▶ Do not touch rotating parts – risk of injury!
- ▶ Wear suitable protective glasses, a hard hat, ear protection, protective gloves and light respiratory protection while using the power tool.
- ▶ Wear protective gloves also when changing the tool. Touching the accessory tool can result in cuts and burns.
- ▶ Wear eye protection. Flying fragments can injure the body and eyes.
- ▶ Before starting work, check the hazard class of the dust that will be produced when working. Use an industrial vacuum cleaner with an officially approved protection class in compliance with the locally applicable dust protection regulations. Dust from materials such as lead-based paint, certain types of wood and concrete/masonry/stone containing quartz, minerals or metal can be harmful to health.
- ▶ Make sure that the workplace is well ventilated and, where necessary, wear a respirator appropriate for the type of dust generated. Contact with or inhalation of the dust may cause allergic reactions and/or respiratory or other diseases among operators or bystanders. Certain kinds of dust are classified as carcinogenic such as oak and beech dust, especially in conjunction with additives for wood conditioning (chromate, wood preservative). Only specialists are permitted to handle material containing asbestos.
- ▶ Take breaks and do physical exercises to improve the blood circulation in your fingers. Exposure to vibration during long periods of work can lead to disorders of the blood vessels and nervous system in the fingers, hands and wrists.



Electrical safety

- ▶ Before beginning work, check the working area for concealed electric cables or gas and water pipes. External metal parts of the power tool may give you an electric shock if you damage an electric cable accidentally.

Power tool use and care

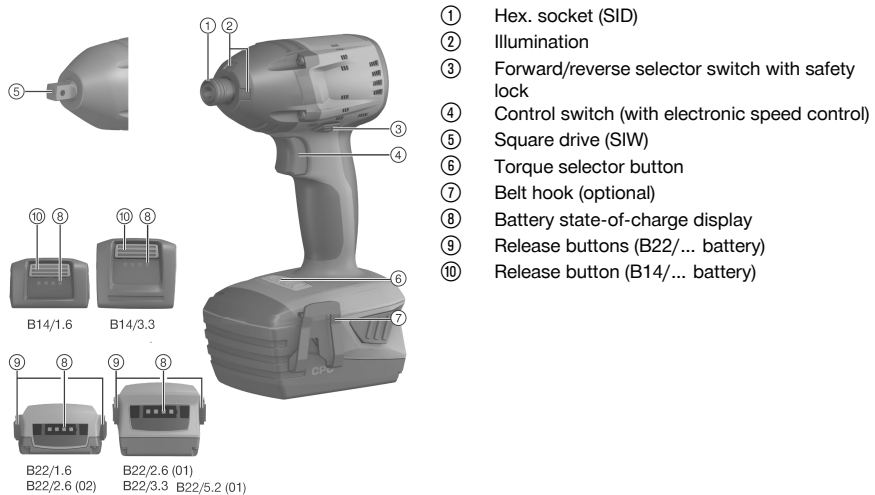
- ▶ Immediately switch off the power tool if the accessory tool jams. The power tool might twist off-line.
- ▶ Wait until the power tool stops completely before you lay it down.

2.4 Battery use and care

- ▶ Observe the special regulations and instructions applicable to the transport, storage and use of Li-ion batteries.
- ▶ Do not expose batteries to high temperatures, direct sunlight or fire.
- ▶ Do not disassemble, crush or incinerate batteries and do not subject them to temperatures over 80 °C.
- ▶ Do not use or charge batteries that have suffered mechanical impact, have been dropped from a height or show signs of damage. In this case, always contact your **Hilti Service**.
- ▶ If the battery is too hot to touch it may be defective. In this case, place the product in a non-flammable location, well away from flammable materials, where it can be kept under observation and allowed to cool down. In this case, always contact your **Hilti Service**.

3 Description

3.1 Overview of the product



- ① Hex. socket (SID)
- ② Illumination
- ③ Forward/reverse selector switch with safety lock
- ④ Control switch (with electronic speed control)
- ⑤ Square drive (SIW)
- ⑥ Torque selector button
- ⑦ Belt hook (optional)
- ⑧ Battery state-of-charge display
- ⑨ Release buttons (B22/... battery)
- ⑩ Release button (B14/... battery)

3.2 Intended use

The product described is a hand-held cordless impact wrench. It is designed for driving and removing screws and for tightening and releasing nuts and bolts in wood, metal, masonry and concrete.

The impact wrench may be used only for applications that do not require a precise/specified torque. Failure to observe this point presents a risk of over-tightening and damage to the bolt, screw or workpiece.

- ▶ For this product use only **Hilti** Li-ion batteries of the B14 (SID/SIW 14-A) or B22 (SID/SIW 22-A) series, as applicable.
- ▶ Use only the **Hilti** battery chargers of the C4/36 series for these batteries.

3.3 Charge status display

The charge status of the Li-ion battery is displayed after pressing one of the release buttons lightly (press only until slight resistance is felt).



Status	Meaning
4 LEDs light.	Charge status: 75 % to 100 %
3 LEDs light.	Charge status: 50 % to 75 %
2 LEDs light.	Charge status: 25 % to 50 %
1 LED lights.	Charge status: 10 % to 25 %
1 LED blinks.	Charge status: < 10 %

Battery charge status cannot be displayed while the control switch is pressed and for up to 5 seconds after releasing the control switch.

3.4 Items supplied

Impact wrench, operating instructions.

Spare parts, consumables and accessories approved by Hilti for use with the product can be found at your local **Hilti Store** or online at: www.hilti.group | USA: www.hilti.com

4 Impact wrench

		SID 14-A	SIW 14-A
Rated voltage		14.4 V	14.4 V
Weight in accordance with EPTA Procedure-01		1.6 kg	1.6 kg
Rated speed under no load	Setting I	0 /min ... 1,000 /min	0 /min ... 1,000 /min
	Setting II	0 /min ... 1,500 /min	0 /min ... 1,500 /min
	Setting III	0 /min ... 2,500 /min	0 /min ... 2,300 /min
Impact speed		≤ 3,100 bpm	≤ 3,400 bpm
Torque adjustment		3 settings	3 settings
Large standard bolts		M8 to M16	M8 to M16
Large high-strength bolts		M6 to M12	M6 to M12
Socket/bit drive		1/4" hex. socket with locking ring	1/2" square drive with ball-notch retention or 3/8" square drive with locking ring
Ambient temperature for operation		-17 °C ... 60 °C	-17 °C ... 60 °C
Storage temperature		-20 °C ... 70 °C	-20 °C ... 70 °C

		SID 22-A	SIW 22-A
Rated voltage		21.6 V	21.6 V
Weight in accordance with EPTA Procedure-01		2.1 kg	2.1 kg
Rated speed under no load	Setting I	0 /min ... 1,000 /min	0 /min ... 1,000 /min
	Setting II	0 /min ... 1,500 /min	0 /min ... 1,500 /min
	Setting III	0 /min ... 2,500 /min	0 /min ... 2,300 /min
Impact speed		≤ 3,450 bpm	≤ 3,500 bpm
Torque adjustment		3 settings	3 settings
Large standard bolts		M8 to M16	M8 to M16
Large high-strength bolts		M6 to M12	M6 to M12
Socket/bit drive		1/4" hex. socket with locking ring	1/2" square drive with ball-notch retention or 3/8" square drive with locking ring



	SID 22-A	SIW 22-A
Ambient temperature for operation	-17 °C ... 60 °C	-17 °C ... 60 °C
Storage temperature	-20 °C ... 70 °C	-20 °C ... 70 °C

4.1 Noise information and vibration values in accordance with EN 62841

The sound pressure and vibration values given in these instructions were measured in accordance with a standardized test and can be used to compare one power tool with another. They can also be used for a preliminary assessment of exposure.

The data given represent the main applications of the power tool. However, if the power tool is used for different applications, with different accessory tools, or is poorly maintained, the data can vary. This can significantly increase exposure over the total working period.

An accurate estimation of exposure should also take into account the times when the tool is switched off, or when it is running but not actually being used for a job. This can significantly reduce exposure over the total working period.

Identify additional safety measures to protect the operator from the effects of noise and/or vibration, for example: maintaining the power tool and accessory tools, keeping the hands warm, organization of work patterns.

Noise information

	SID 14-A	SIW 14-A	SID 22-A	SIW 22-A
Sound (power) level (L_{WA})	94 dB(A)	94 dB(A)	97 dB(A)	97 dB(A)
Uncertainty for the sound power level (K_{WA})	3 dB(A)	3 dB(A)	3 dB(A)	3 dB(A)
Emission sound pressure level (L_{pA})	83 dB(A)	83 dB(A)	86 dB(A)	86 dB(A)
Uncertainty for the sound pressure level (K_{pA})	3 dB(A)	3 dB(A)	3 dB(A)	3 dB(A)

Total vibration

	SID 14-A	SIW 14-A	SID 22-A	SIW 22-A
Vibration emission value when tightening screws/bolts and nuts of the maximum permitted size (a_v)	7.5 m/s ²	7.5 m/s ²	11 m/s ²	11 m/s ²
Uncertainty for tightening screws/bolts and nuts of the maximum permitted size	1.5 m/s ²	1.5 m/s ²	1.5 m/s ²	1.5 m/s ²

4.2 Setting the torque

The torque is selected by way of the torque selector button.

Model SID ...

SID 14-A
SID 22-A

		Model	
		SID 14-A	SID 22-A
Torque	Setting I	50 Nm	60 Nm
	Setting II	100 Nm	110 Nm
	Setting III	150 Nm	165 Nm



Model SIW ...

 SIW 14-A
 SIW 22-A

		SIW 14-A	
		1/2" square drive with ball-notch retention	3/8" square drive with locking ring
Torque	Setting I	80 Nm	65 Nm
	Setting II	120 Nm	115 Nm
	Setting III	185 Nm	160 Nm

		SIW 22-A	
		1/2" square drive with ball-notch retention	3/8" square drive with locking ring
Torque	Setting I	90 Nm	75 Nm
	Setting II	135 Nm	120 Nm
	Setting III	200 Nm	175 Nm

4.3 Battery, 14.4 V

Battery operating voltage	14.4 V
Ambient temperature	-10 °C ... 60 °C
Storage temperature	-20 °C ... 40 °C

4.4 Battery, 21.6 V

Battery operating voltage	21.6 V
Ambient temperature	-17 °C ... 60 °C
Storage temperature	-20 °C ... 40 °C

5 Preparations at the workplace
CAUTION
Risk of injury by inadvertent starting!

- ▶ Before inserting the battery, make sure that the product is switched off.
- ▶ Remove the battery before making any adjustments to the power tool or before changing accessories.

Observe the safety instructions and warnings in this documentation and on the product.

5.1 Charging the battery

1. Before charging the battery, read the operating instructions for the charger.
2. Make sure that the contacts on the battery and the contacts on the charger are clean and dry.
3. Use an approved charger to charge the battery.

5.2 Inserting the battery
CAUTION
Risk of injury by short circuit or falling battery!

- ▶ Before inserting the battery, make sure that the contacts on the battery and the contacts on the product are free of foreign matter.
- ▶ Make sure that the battery always engages correctly.

1. Charge the battery fully before using it for the first time.
2. Push the battery into the battery holder until it engages with an audible click.
3. Check that the battery is seated securely.



5.3 Removing the battery

1. Press the battery release buttons.
2. Remove the battery from the tool.

5.4 Fitting the belt hook (optional) 2

WARNING

Risk of injury! Hazard presented by a falling power tool.

- ▶ A falling power tool may present a risk of injury to yourself and others. Check that the belt hook is fitted securely before beginning work.



The belt hook allows the power tool to be attached to a belt worn by the operator. The belt hook can be fitted to allow attachment on the left or right side of the body.

1. Remove the battery. → page 9
2. Insert the belt hook in the opening provided at the base of the screwdriver's grip.
3. Secure the belt hook with the 2 screws.

5.5 Installing an accessory tool 3

SID 14-A
SID 22-A

1. Check that the connection end of the accessory tool is clean.
 - ▶ If necessary, clean the connection end.
2. Set the forward/reverse switch to the middle position or remove the battery from the power tool.
3. Push the accessory tool into the chuck as far as it will go (until it engages).
4. Before using the power tool, check that the accessory tool is correctly seated and secure.

5.6 Installing an accessory tool 4

SIW 14-A
SIW 22-A

1. Check that the connection end of the accessory tool is clean.
 - ▶ If necessary, clean the connection end.
2. Set the forward/reverse switch to the middle position or remove the battery from the power tool.
3. Bring the notch in the accessory tool into alignment with the ball on the square drive.
4. Push the accessory tool onto the square drive until it engages.
5. Before using the power tool, check that the accessory tool is correctly seated and secure.

5.7 Installing an accessory tool 5

SIW 22-A

CAUTION

Risk of injury through use of the wrong type of accessory tool!

- ▶ Use only accessory tools of the locking type.
- ▶ Do not use worn or damaged accessory tools.

1. Set the forward/reverse switch to the middle position or remove the battery from the power tool.
2. Remove the O-ring from the groove in the socket.
3. Pull out the locking pin.
4. Place the socket on the square drive spindle of the tool.



Take care to ensure that the holes in the square drive spindle and socket, into which the locking ring fits, are in alignment with each other.

5. Insert the locking pin in the socket.



- Fit the O-ring on the socket.
- Before using the power tool, check that the accessory tool is correctly seated and secure.

6 Operation

Observe the safety instructions and warnings in this documentation and on the product.

6.1 Setting the torque

- Repeatedly press the torque selector switch until the desired torque setting is indicated by the indicator on the left beside the switch.

SID 14-A
SID 22-A

Model SID ... → page 7

SIW 14-A
SIW 22-A

Model SIW ... → page 8

6.2 Setting forward or reverse rotation



An interlock prevents switching while the motor is running.
The control switch is locked when the forward/reverse switch is in the middle position (safety lock).

- Set the forward/reverse switch to the desired direction of rotation.

6.3 Switching on

- Press the control switch.
 - Speed of rotation is regulated by the distance the control switch is pressed in.

6.4 Screwdriving



CAUTION

Risk of injury by damaged workpieces! Screws or workpiece can be damaged if torque is too high. This presents a risk of injury.

- Make sure that screws and workpiece are suitable for the torque produced by the tool.
-

- Set the forward/reverse switch to the middle position or remove the battery from the power tool.
- Use the torque selector switch to set the desired torque. → page 10

6.5 Switching off

- Release the control switch.

6.6 Removing the accessory tool

SID 14-A
SID 22-A



CAUTION

Risk of injury by the accessory tool! The accessory tool might be hot or have sharp edges.

- Wear protective gloves when using the power tool and when changing accessory tools.
-

- Set the forward/reverse switch to the middle position or remove the battery from the power tool.
- Pull the chuck ring forward and hold it in this position.
- Pull the accessory tool out of the chuck.
- Release the chuck ring.



6.7 Removing the accessory tool

SIW 14-A
SIW 22-A

CAUTION

Risk of injury by the accessory tool! The accessory tool might be hot or have sharp edges.

- ▶ Wear protective gloves when using the power tool and when changing accessory tools.
-
1. Set the forward/reverse switch to the middle position or remove the battery from the power tool.
 2. Pull the accessory tool off the square drive.

6.8 Removing the accessory tool

SIW 22-A

1. Set the forward/reverse switch to the middle position or remove the battery from the power tool.
2. Remove the O-ring from the groove in the socket.
3. Pull out the locking pin.
4. Remove the socket from the square drive spindle of the tool.
5. Fit the locking pin.
6. Fit the securing O-ring to the socket.

7 Care and maintenance

WARNING

Risk of injury with battery inserted !

- ▶ Always remove the battery before carrying out care and maintenance tasks!

Care and maintenance of the tool

- Carefully remove stubborn dirt.
- Clean the air vents carefully with a dry brush.
- Use only a slightly damp cloth to clean the casing. Do not use cleaning agents containing silicone as these can attack the plastic parts.

Care of the Li-ion batteries

- Keep the battery free from oil and grease.
- Use only a slightly damp cloth to clean the casing. Do not use cleaning agents containing silicone as these may attack the plastic parts.
- Avoid ingress of moisture.

Maintenance

- Check all visible parts and controls for signs of damage at regular intervals and make sure that they all function correctly.
- Do not operate the product if signs of damage are found or if parts malfunction. Have it repaired immediately by **Hilti Service**.
- After cleaning and maintenance, fit all guards or protective devices and check that they function correctly.



To help ensure safe and reliable operation, use only genuine Hilti spare parts and consumables. Spare parts, consumables and accessories approved by Hilti for use with the product can be found at your local **Hilti Store** or online at: www.hilti.group.

8 Transport and storage of cordless tools

Transport

CAUTION

Accidental starting during transport !

- ▶ Always transport your products with the batteries removed!
- ▶ Remove the battery.



2072653

- ▶ Never transport batteries in bulk form (loose, unprotected).
- ▶ Check the tool and batteries for damage before use after long periods of transport.

Storage

CAUTION

Accidental damage caused by defective or leaking batteries !

- ▶ Always store your products with the batteries removed!
-
- ▶ Store the tool and batteries in a place that is as cool and dry as possible.
 - ▶ Never store batteries in direct sunlight, on heating units or behind a window pane.
 - ▶ Store the tool and batteries in a place where they cannot be accessed by children or unauthorized persons.
 - ▶ Check the tool and batteries for damage before use after long periods of storage.

9 Troubleshooting

If the trouble you are experiencing is not listed in this table or you are unable to remedy the problem by yourself, please contact **Hilti Service**.

9.1 Troubleshooting

Trouble or fault	Possible cause	Action to be taken
The power tool doesn't run.	The battery is not fully inserted.	▶ Insert the battery. → page 8
	Low battery.	▶ Charge the battery. → page 8
The control switch can't be pressed, i.e. the switch is locked.	The forward/reverse selector switch is in the middle position.	▶ Set the forward/reverse switch to the desired position. → page 10
Running speed suddenly drops considerably.	Low battery.	▶ Charge the battery. → page 8
The battery runs down more quickly than usual.	Very low ambient temperature.	▶ Allow the battery to warm up slowly to room temperature.
The battery doesn't engage with an audible double click.	The retaining lugs on the battery are dirty.	▶ Clean the retaining lugs and push the battery in until it engages. Contact Hilti Service if the problem persists.
The power tool or the battery becomes very warm.	Electrical fault.	▶ Switch the power tool off immediately, remove the battery, keep it under observation, allow it to cool down and contact Hilti Service .
	The tool is overloaded (application limits exceeded).	▶ Select a suitable power tool for the application.

10 Disposal

Most of the materials from which **Hilti** tools and appliances are manufactured can be recycled. The materials must be correctly separated before they can be recycled. In many countries, your old tools, machines or appliances can be returned to **Hilti** for recycling. Ask **Hilti Service** or your Hilti representative for further information.

Battery disposal

Improper disposal of batteries can result in health hazards from leaking gases or fluids.

- ▶ DO NOT send batteries through the mail!
- ▶ Cover the terminals with a non-conductive material (such as electrical tape) to prevent short circuiting.
- ▶ Dispose of your battery out of the reach of children.
- ▶ Dispose of the battery at your **Hilti Store**, or consult your local governmental garbage disposal or public health and safety resources for disposal instructions.



- ▶ Do not dispose of power tools, electronic equipment or batteries as household waste!



11 RoHS (Restriction of Hazardous Substances)

Click on the links to go to the table of hazardous substances: qr.hilti.com/r4923, qr.hilti.com/r4922, qr.hilti.com/r4927 and qr.hilti.com/r4926.

You will find a link to the RoHS table, in the form of a QR code, at the end of this document.

12 Manufacturer's warranty

- ▶ Please contact your local **Hilti** representative if you have questions about the warranty conditions.

Mode d'emploi original

1 Indications relatives à la documentation

1.1 À propos de cette documentation

- Lire intégralement la présente documentation avant la mise en service. C'est la condition préalablement requise pour assurer la sécurité du travail et un maniement sans perturbations.
- Bien respecter les consignes de sécurité et les avertissements de la présente documentation ainsi que celles figurant sur le produit.
- Toujours conserver le mode d'emploi à proximité du produit et uniquement le transmettre à des tiers avec ce mode d'emploi.

1.2 Explication des symboles

1.2.1 Avertissements

Les avertissements attirent l'attention sur des dangers liés à l'utilisation du produit. Les termes de signalisation suivants sont utilisés :

 **DANGER**

DANGER !

- ▶ Pour un danger imminent qui peut entraîner de graves blessures corporelles ou la mort.

 **AVERTISSEMENT**

AVERTISSEMENT !

- ▶ Pour un danger potentiel qui peut entraîner de graves blessures corporelles ou la mort.





 **ATTENTION**

ATTENTION !

- ▶ Pour attirer l'attention sur une situation pouvant présenter des dangers entraînant des blessures corporelles légères ou des dégâts matériels.

1.2.2 Symboles dans la documentation

Les symboles suivants sont utilisés dans la présente documentation :

	Lire le mode d'emploi avant d'utiliser l'appareil
	Pour des conseils d'utilisation et autres informations utiles
	Maniement des matériaux recyclables
	Ne pas jeter les appareils électriques et les accus dans les ordures ménagères

1.2.3 Symboles dans les illustrations

Les symboles suivants sont utilisés dans les illustrations :



2	Ces chiffres renvoient à l'illustration correspondante au début du présent mode d'emploi
3	La numérotation détermine la séquence des étapes de travail dans l'image et peut se différencier de celles des étapes de travail dans le texte
11	Les numéros de position sont utilisés dans l'illustration Vue d'ensemble et renvoient aux numéros des légendes dans la section Vue d'ensemble du produit
	Ce signe doit inviter à manier le produit en faisant particulièrement attention.

1.3 Symboles spécifiques au produit

1.3.1 Symboles sur le produit

Les symboles suivants peuvent être utilisés sur le produit :

	Perçage sans percussion
	Perçage à percussion
/min	Tours par minute
n_0	Vitesse nominale à vide
	Courant continu
Li-Ion	Accu lithium-ions
	Série de type d'accu Li-Ion HilTi utilisée. Observer les instructions au chapitre Utilisation conforme à l'usage prévu .
	L'appareil prend en charge la technologie NFC qui est compatible avec les plates-formes iOS et Android.
	Ne jamais utiliser l'accu comme outil de percussion.
	Ne pas laisser tomber l'accu. Ne pas utiliser d'accu ayant subi un choc ou d'autres dommages.

1.4 Informations produit

Les produits sont destinés aux professionnels et ne doivent être utilisés, entretenus et réparés que par un personnel autorisé et formé. Ce personnel doit être spécialement instruit quant aux dangers inhérents à l'utilisation de l'appareil. Le produit et ses accessoires peuvent s'avérer dangereux s'ils sont utilisés de manière incorrecte par un personnel non qualifié ou de manière non conforme à l'usage prévu.

La désignation du modèle et le numéro de série figurent sur sa plaque signalétique.

- Inscrivez le numéro de série dans le tableau suivant. Les informations produit vous seront demandées lorsque vous contactez nos revendeurs ou services après-vente.

Caractéristiques produit

Visseuse sans fil	SID 14-A, SID 22-A
Boulonneuse à choc sans fil	SIW 14-A, SIW 22-A
Génération :	01
N° de série :	

1.5 Déclaration de conformité

Nous déclarons sous notre seule et unique responsabilité que le produit décrit ici est conforme aux directives et normes en vigueur. Une copie de la Déclaration de conformité se trouve en fin de la présente documentation.

Pour obtenir les documentations techniques, s'adresser à :

HilTi Entwicklungsgesellschaft mbH | Zulassung Geräte | Hiltistraße 6 | 86916 Kaufering, DE



2 Sécurité

2.1 Indications générales de sécurité pour les appareils électriques

⚠ AVERTISSEMENT Lire toutes les consignes de sécurité et instructions, illustrations et caractéristiques techniques, qui accompagnent cet outil électroportatif. Tout manquement à l'observation des instructions suivantes risque de provoquer une électrocution, un incendie et/ou de graves blessures.

Les consignes de sécurité et instructions doivent être intégralement conservées pour les utilisations futures.

La notion d'« outil électroportatif » mentionnée dans les consignes de sécurité se rapporte à des outils électriques raccordés au secteur (avec câble d'alimentation) et à des outils électriques sur accus (sans câble d'alimentation).

Sécurité sur le lieu de travail

- ▶ **Conserver la zone de travail propre et bien éclairée.** Un lieu de travail en désordre ou mal éclairé augmente le risque d'accidents.
- ▶ **Ne pas faire fonctionner les outils électriques en atmosphère explosive et où se trouvent des liquides, des gaz ou poussières inflammables.** Les outils électriques produisent des étincelles qui peuvent enflammer les poussières ou les fumées.
- ▶ **Maintenir les enfants et les personnes présentes à l'écart pendant l'utilisation de l'outil électroportatif.** En cas d'inattention il y a risque de perdre le contrôle de l'appareil.

Sécurité relative au système électrique

- ▶ **La fiche de secteur de l'outil électroportatif doit être adaptée à la prise de courant. Ne jamais modifier la fiche de quelque façon que ce soit. Ne pas utiliser d'adaptateurs avec des outils électriques à branchement de terre.** Des fiches non modifiées et des prises de courant adaptées réduiront le risque de choc électrique.
- ▶ **Éviter le contact physique avec des surfaces mises à la terre tels que tuyaux, radiateurs, cuisinières et réfrigérateurs.** Il y a un risque élevé de choc électrique au cas où votre corps serait relié à la terre.
- ▶ **Ne pas exposer les outils électroportatifs à la pluie ou à l'humidité.** La pénétration d'eau à l'intérieur d'un outil électroportatif augmentera le risque d'un choc électrique.
- ▶ **Ne jamais utiliser le câble de raccordement à d'autres fins que celles prévues, telles que pour porter, accrocher ou débrancher l'outil électroportatif de la prise de courant. Maintenir le câble de raccordement à l'écart de la chaleur, des parties grasses, des bords tranchants ou des parties en mouvement.** Des câbles de raccordement endommagés ou emmêlés augmentent le risque de choc électrique.
- ▶ **Si l'outil électroportatif est utilisé à l'extérieur, utiliser uniquement des câbles de rallonge homologués pour les applications extérieures.** L'utilisation d'un câble de rallonge homologué pour les applications extérieures réduit le risque d'un choc électrique.
- ▶ **Si l'utilisation de l'outil électrique dans un environnement humide ne peut pas être évitée, utiliser un interrupteur de protection contre les courants de court-circuit.** L'utilisation d'un tel interrupteur de protection réduit le risque d'une décharge électrique.

Sécurité des personnes

- ▶ **Rester vigilant, surveiller ce que l'on fait. Faire preuve de bon sens en utilisant l'outil électroportatif. Ne pas utiliser l'outil électroportatif en étant fatigué ou sous l'emprise de l'alcool, de drogues ou de médicaments.** Un moment d'inattention lors de l'utilisation de l'outil électroportatif peut entraîner des blessures graves.
- ▶ **Utiliser un équipement de protection personnel et toujours porter une protection pour les yeux.** Les équipements de protection personnels tels que masque antipoussière, chaussures de sécurité antidérapantes, casque de protection ou protection acoustique suivant l'utilisation de l'outil électroportatif, réduiront le risque de blessures des personnes.
- ▶ **Éviter une mise en service par mégarde. S'assurer que l'outil électroportatif est arrêté avant de le brancher à la source de courant et/ou à l'accu, de le prendre ou de le porter.** Le fait de porter l'outil électroportatif avec le doigt sur l'interrupteur ou de brancher l'appareil sur la source de courant lorsque l'interrupteur est en position de fonctionnement peut entraîner des accidents.
- ▶ **Retirer tout outil de réglage ou toute clé avant de mettre l'outil électroportatif en fonctionnement.** Une clé ou un outil se trouvant sur une partie en rotation peut causer des blessures.
- ▶ **Adopter une bonne posture. Veiller à toujours garder une position stable et équilibrée.** Cela permet un meilleur contrôle de l'outil électroportatif dans des situations inattendues.
- ▶ **S'habiller de manière adaptée. Ne pas porter de vêtements amples ni de bijoux. Garder les cheveux, les vêtements et les gants à distance des parties en mouvement.** Des vêtements amples, des bijoux ou des cheveux longs peuvent être happés par des parties en mouvement.



- ▶ **Si des dispositifs servant à aspirer ou à recueillir les poussières doivent être utilisés, s'assurer qu'ils sont effectivement raccordés et correctement utilisés.** L'utilisation d'un dispositif d'aspiration de la poussière peut réduire les risques dus aux poussières.
- ▶ **Ne pas sous-estimer les mesures de sécurité à prendre et ne pas ignorer sciemment les règles de sécurité applicables aux outils électriques, même si l'on est utilisateur chevronné après de fréquentes utilisations de l'outil électroportatif.** Un manque d'attention peut conduire à de graves blessures en quelques fractions de seconde.

Utilisation et manquement de l'outil électroportatif

- ▶ **Ne pas forcer l'appareil. Utiliser l'outil électroportatif adapté au travail à effectuer.** Un outil électroportatif approprié réalisera mieux le travail et de manière plus sûre au régime pour lequel il a été conçu.
- ▶ **Né pas utiliser d'outil électroportatif dont l'interrupteur est défectueux.** Tout outil électroportatif qui ne peut plus être mis en ou hors fonctionnement est dangereux et doit être réparé.
- ▶ **Débrancher la fiche de la prise de courant et/ou l'accu amovible avant d'effectuer des réglages sur l'appareil, de changer les accessoires, ou de ranger l'appareil.** Cette mesure de précaution empêche une mise en fonctionnement par mégarde de l'outil électroportatif.
- ▶ **Conserver les outils électroportatifs non utilisés hors de portée des enfants. Ne permettre l'utilisation de l'appareil à aucune personne qui ne soit pas familiarisée avec celui-ci ou qui n'a pas lu ces instructions.** Les outils électroportatifs sont dangereux lorsqu'ils sont entre les mains de personnes non initiées.
- ▶ **Prendre soin des outils électroportatifs et des accessoires. Vérifier que les parties en mouvement fonctionnent correctement et qu'elles ne sont pas coincées, et contrôler si des parties sont cassées ou endommagées de sorte que le bon fonctionnement de l'outil électroportatif s'en trouve entravé. Faire réparer les parties endommagées avant d'utiliser l'appareil.** De nombreux accidents sont dus à des outils électroportatifs mal entretenus.
- ▶ **Garder les outils de coupe affûtés et propres.** Des outils destinés à couper correctement entretenus avec des arêtes de coupe tranchantes sont moins susceptibles de bloquer et sont plus faciles à contrôler.
- ▶ **L'outil électroportatif, les accessoires, les outils amovibles, etc. doivent être utilisés conformément à ces instructions. Tenir également compte des conditions de travail et du travail à réaliser.** L'utilisation des outils électroportatifs à d'autres fins que celles prévues peut entraîner des situations dangereuses.
- ▶ **Veiller à ce que les poignées et surfaces de préhension soient toujours être sèches, propres et exemptes de traces de graisse ou d'huile.** Avec des poignées et surfaces de préhension glissantes, la sécurité et le contrôle de l'outil électroportatif ne peuvent être assurés dans des situations inopinées.

Utilisation et manquement de l'outil sur accu

- ▶ **Ne charger les accus que dans des chargeurs recommandés par le fabricant.** Si un chargeur approprié à un type spécifique d'accus est utilisé avec des accus non recommandés pour celui-ci, il y a risque d'incendie.
- ▶ **Dans les outils électroportatifs, utiliser uniquement les accus spécialement prévus pour ceux-ci.** L'utilisation de tout autre accu peut entraîner des blessures et des risques d'incendie.
- ▶ **Tenir l'accu non utilisé à l'écart de tous objets métalliques tels qu'agrafes, pièces de monnaie, clés, clous, vis ou autres, étant donné qu'un pontage peut provoquer un court-circuit.** Un court-circuit entre les contacts d'accu peut provoquer des brûlures ou un incendie.
- ▶ **En cas d'utilisation abusive, du liquide peut sortir de l'accu. Éviter tout contact avec ce liquide. En cas de contact par mégarde, rincer soigneusement avec de l'eau. Au cas où le liquide rentrerait dans les yeux, consulter en plus un médecin.** Le liquide qui sort de l'accu peut entraîner des irritations de la peau ou causer des brûlures.
- ▶ **Ne pas utiliser d'accu endommagé ou modifié.** Des accus endommagés ou modifiés peuvent avoir un comportement imprévisible et provoquer un incendie, une explosion ou engendrer un risque de blessures.
- ▶ **Ne jamais exposer l'accu au feu ou à des températures trop élevées.** Le feu ou des températures supérieures à 130 °C (265 °F) peuvent provoquer une explosion.
- ▶ **Suivre toutes les instructions de charge et ne jamais charger l'accu ou l'outil sur accu hors de la plage de températures spécifiée dans le manuel d'utilisation.** Une charge inappropriée ou hors de la plage de températures spécifiée risque d'endommager l'accu et accroître le risque d'incendie.

Service

- ▶ **L'outil électroportatif doit uniquement être réparé par un personnel qualifié et seulement avec des pièces de rechange d'origine.** Ceci permet d'assurer la sécurité de l'appareil.
- ▶ **Ne jamais entretenir d'accus endommagés.** Toutes les opérations d'entretien sur des accus doivent exclusivement être réalisées par le fabricant ou un prestataire de service client agréé.



2.2 Consignes de sécurité pour visseuse et boulonneuse à choc

- ▶ **Lors des travaux pendant lesquels la vis risque de toucher des câbles électriques cachés, tenir l'outil électroportatif uniquement par les surfaces isolées des poignées.** Le contact de la vis avec un câble conducteur risque aussi de mettre les parties métalliques de l'appareil sous tension et de provoquer une décharge électrique.

2.3 Consignes de sécurité supplémentaires spécifiques à la visseuse

Sécurité des personnes

- ▶ Utiliser le produit uniquement s'il est en parfait état.
- ▶ Ne jamais entreprendre de manipulation ou de modification sur l'appareil.
- ▶ Utiliser la poignée supplémentaire livrée avec l'appareil. La perte de contrôle peut entraîner des blessures.
- ▶ Toujours tenir l'appareil des deux mains par les poignées prévues à cet effet. Tenir les poignées toujours sèches et propres.
- ▶ Éviter de toucher des pièces en rotation – Risque de blessures !
- ▶ Pendant l'utilisation de l'appareil, porter des lunettes de protection adaptées, un casque de protection, un casque antibruit, des gants de protection et un masque respiratoire léger.
- ▶ Porter aussi des gants de protection pour changer d'outil. Risque de blessures par coupure et de brûlures au contact avec l'outil amovible.
- ▶ Porter des lunettes de protection. Les éclats de matière peuvent entraîner des blessures corporelles et aux yeux.
- ▶ Avant le début du travail, prendre connaissance de la classe de risque de la poussière générée lors des travaux. Utiliser un aspirateur avec une classification de sécurité autorisée officiellement et conforme aux dispositions locales concernant les poussières. Les poussières de matériaux telles que des peintures contenant du plomb, certains types de bois, du béton / de la maçonnerie / des pierres naturelles qui contiennent du quartz ainsi que des minéraux et des métaux peuvent être nuisibles à la santé.
- ▶ Veiller à ce que le poste de travail soit bien ventilé et porter, le cas échéant, un masque de protection respiratoire adapté au type de poussières. Le contact ou l'aspiration de poussière peut provoquer des réactions allergiques et/ou des maladies respiratoires de l'utilisateur ou de toute personne se trouvant à proximité. Certaines poussières, telles que des poussières de chêne ou de hêtre, sont réputées être cancérigènes, en particulier lorsqu'elles sont combinées à des additifs destinés au traitement du bois (chromate, produit de protection du bois). Les matériaux contenant de l'amiante doivent seulement être manipulés par un personnel spécialisé.
- ▶ Faire régulièrement des pauses et des exercices de massage des doigts pour favoriser l'irrigation sanguine dans les doigts. Lors d'un travail prolongé, les vibrations peuvent provoquer des troubles de la circulation sanguine ou du système nerveux des doigts, des mains ou du poignet.

Sécurité relative au système électrique

- ▶ Avant d'entamer le travail, vérifier qu'il n'y a pas de câbles ou gaines électriques, tuyaux de gaz ou d'eau cachés dans la zone d'intervention. Toutes pièces métalliques extérieures de l'appareil sont susceptibles de provoquer une décharge électrique si un câble électrique est endommagé par inadvertance.

Utilisation et emploi soigneux de l'outil électroportatif

- ▶ Arrêter immédiatement l'outil électroportatif si l'outil se bloque. L'appareil peut dévier latéralement.
- ▶ Attendre jusqu'à ce que l'outil électroportatif soit arrêté avant de le déposer.

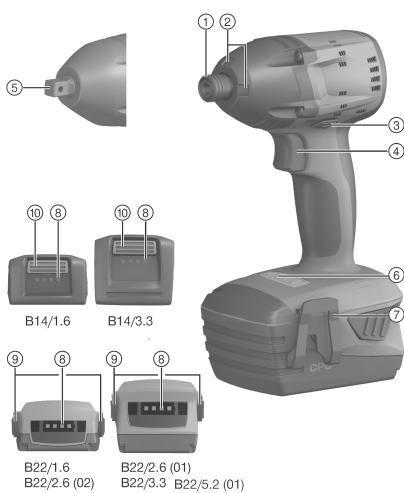
2.4 Utilisation et emploi soigneux des batteries

- ▶ Respecter les directives spécifiques relatives au transport, au stockage et à l'utilisation des batteries li-ion.
- ▶ Ne pas exposer les batteries à des températures élevées, ni au rayonnement direct du soleil ou au feu.
- ▶ Les batteries ne doivent pas être démontées, écrasées, chauffées à une température supérieure à 80 °C ou jetées au feu.
- ▶ Ne jamais utiliser ni charger d'accus qui ont subi un choc électrique, qui sont tombés de plus d'un mètre ou qui ont été endommagés d'une manière quelconque. Si tel est le cas, il convient de contacter le **S.A.V Hilti**.
- ▶ Si la batterie est trop chaude pour être touchée, elle peut être défectueuse. Déposer le produit à un endroit non inflammable d'où il peut être surveillé, à une distance suffisante de matériaux inflammables et le laisser refroidir. Si tel est le cas, il convient de contacter le **S.A.V Hilti**.



3 Description

3.1 Vue d'ensemble du produit



- ① Hexagonal intérieur (SID)
- ② Éclairage
- ③ Inverseur du sens de rotation droite / gauche avec dispositif de blocage
- ④ Interrupteur de commande (avec variateur de vitesse électronique)
- ⑤ Carré mâle extérieur (SIW)
- ⑥ Commutateur de couple de rotation
- ⑦ Patte d'accrochage (en option)
- ⑧ Indicateur de l'état de charge de l'accu
- ⑨ Boutons de déverrouillage (accu B22/...)
- ⑩ Bouton de déverrouillage (accu B14/...)

3.2 Utilisation conforme à l'usage prévu

Le produit décrit est une boulonneuse à choc sans fil à guidage manuel. Elle est adaptée au serrage et au desserrage d'assemblages par vis, écrous et boulons filetés dans le bois, le métal, la maçonnerie et le béton. La boulonneuse à choc doit uniquement être utilisée pour des applications ne nécessitant pas de couple de rotation précis / spécifique. Sinon, il y a risque de visser trop fort, d'endommager la vis ou la pièce travaillée.

- ▶ Pour ce produit, utiliser exclusivement les accus Li-Ion **Hilti** de la série B14 (SID/SIW 14-A) ou B22 (SID/SIW 22-A).
- ▶ Pour ces accus, utiliser exclusivement les chargeurs **Hilti** de la série C4/36.

3.3 Indicateur de l'état de charge

Lors de l'utilisation de l'accu Li-Ion, l'état de charge peut être visualisé en appuyant légèrement sur un des boutons de déverrouillage (au maximal jusqu'à une résistance perceptible).

État	Signification
4 LED allumées.	État de charge : 75 % à 100 %
3 LED allumées.	État de charge : 50 % à 75 %
2 LED allumées.	État de charge : 25 % à 50 %
1 LED allumée.	État de charge : 10 % à 25 %
1 LED clignote.	État de charge : < 10 %

Il n'est pas possible d'interroger l'indicateur de l'état de charge lorsque le variateur électronique de vitesse est actionné et jusqu'à 5 secondes après avoir relâché le variateur électronique de vitesse.

3.4 Équipement livré

Boulonneuse à choc, mode d'emploi.

Vous trouverez les pièces de rechange, consommables et accessoires autorisés convenant pour votre produit dans le centre **Hilti Store** ou sous : www.hilti.group | ÉTATS-UNIS : www.hilti.com



4 Boulonneuse à choc

		SID 14-A	SIW 14-A
Tension de référence		14,4 V	14,4 V
Poids selon EPTA Procedure-01		1,6 kg	1,6 kg
Vitesse de rotation à vide de référence	Position I	0 tr/min ... 1.000 tr/min	0 tr/min ... 1.000 tr/min
	Position II	0 tr/min ... 1.500 tr/min	0 tr/min ... 1.500 tr/min
	Position III	0 tr/min ... 2.500 tr/min	0 tr/min ... 2.300 tr/min
Cadence de percussion		≤ 3.100 bpm	≤ 3.400 bpm
Réglage du couple de rotation		3 niveaux	3 niveaux
Grandes vis standard		De M8 à M16	De M8 à M16
Grandes vis à résistance élevée		De M6 à M12	De M6 à M12
Porte-outil		Hexagonal int. 1/4" avec manchon de sécurité	Carré extérieur 1/2" avec demi-rotule ou carré extérieur 3/8" avec circlip
Température ambiante en cours de service		-17 °C ... 60 °C	-17 °C ... 60 °C
Température de stockage		-20 °C ... 70 °C	-20 °C ... 70 °C

		SID 22-A	SIW 22-A
Tension de référence		21,6 V	21,6 V
Poids selon EPTA Procedure-01		2,1 kg	2,1 kg
Vitesse de rotation à vide de référence	Position I	0 tr/min ... 1.000 tr/min	0 tr/min ... 1.000 tr/min
	Position II	0 tr/min ... 1.500 tr/min	0 tr/min ... 1.500 tr/min
	Position III	0 tr/min ... 2.500 tr/min	0 tr/min ... 2.300 tr/min
Cadence de percussion		≤ 3.450 bpm	≤ 3.500 bpm
Réglage du couple de rotation		3 niveaux	3 niveaux
Grandes vis standard		De M8 à M16	De M8 à M16
Grandes vis à résistance élevée		De M6 à M12	De M6 à M12
Porte-outil		Hexagonal int. 1/4" avec manchon de sécurité	Carré extérieur 1/2" avec demi-rotule ou carré extérieur 3/8" avec circlip
Température ambiante en cours de service		-17 °C ... 60 °C	-17 °C ... 60 °C
Température de stockage		-20 °C ... 70 °C	-20 °C ... 70 °C

4.1 Valeurs de bruit et de vibrations selon EN 62841

Les valeurs de pression acoustique et de vibrations mentionnées dans ces instructions ont été mesurées conformément à un procédé de mesure normalisé et peuvent être utilisées comme base de comparaison d'outils électroportatifs. Elles sont de plus adaptées à une évaluation préalable de l'exposition aux bruits et aux vibrations.

Les indications fournies correspondent aux principales applications de l'outil électroportatif. Ces données peuvent néanmoins différer si l'outil électroportatif est utilisé pour d'autres applications ou avec des outils coupants différents, ou bien si l'entretien s'avère insuffisant. Dans ce cas, les expositions peuvent augmenter nettement dans tout l'espace de travail.

Pour une évaluation précise des expositions, il convient également de prendre en compte les temps durant lesquels l'appareil est arrêté ou marche à vide. Cela peut réduire considérablement les contraintes d'exposition dans tout l'espace de travail.

Par ailleurs, il convient de prendre des mesures de sécurité supplémentaires en vue de protéger l'opérateur des effets du bruit ou des vibrations, par exemple : entretien de l'outil électroportatif et des outils de coupe, maintien des mains à bonne température, organisation des processus de travail.



Valeurs d'émissions acoustiques

	SID 14-A	SIW 14-A	SID 22-A	SIW 22-A
Niveau de puissance acoustique (L_{WA})	94 dB(A)	94 dB(A)	97 dB(A)	97 dB(A)
Incertitude sur la mesure du niveau de puissance acoustique (K_{WA})	3 dB(A)	3 dB(A)	3 dB(A)	3 dB(A)
Niveau de pression acoustique d'émission (L_{pA})	83 dB(A)	83 dB(A)	86 dB(A)	86 dB(A)
Incertitude sur la mesure du niveau de pression acoustique (K_{pA})	3 dB(A)	3 dB(A)	3 dB(A)	3 dB(A)

Valeurs totales des vibrations

	SID 14-A	SIW 14-A	SID 22-A	SIW 22-A
Valeur d'émission vibratoire lors du serrage de vis et d'écrous de taille maximale admissible (a_h)	7,5 m/s ²	7,5 m/s ²	11 m/s ²	11 m/s ²
Incertitude de serrage de vis et d'écrous de la taille maximale admissible	1,5 m/s ²	1,5 m/s ²	1,5 m/s ²	1,5 m/s ²

4.2 Réglage du couple de rotation

La position du commutateur de réglage du couple de rotation détermine le couple de rotation.

Modèle SID ...

SID 14-A
SID 22-A

		Modèle	
		SID 14-A	SID 22-A
Couple de rotation	Position I	50 Nm	60 Nm
	Position II	100 Nm	110 Nm
	Position III	150 Nm	165 Nm

Modèle SIW ...

SIW 14-A
SIW 22-A

		SIW 14-A	
		Carré ext. 1/2" avec demi-rotule	Carré ext. 3/8" avec demi-rotule
Couple de rotation	Position I	80 Nm	65 Nm
	Position II	120 Nm	115 Nm
	Position III	185 Nm	160 Nm

		SIW 22-A	
		Carré ext. 1/2" avec demi-rotule	Carré ext. 3/8" avec demi-rotule
Couple de rotation	Position I	90 Nm	75 Nm
	Position II	135 Nm	120 Nm
	Position III	200 Nm	175 Nm

4.3 Accu 14,4 V

Tension nominale de l'accu	14,4 V
Température ambiante	-10 °C ... 60 °C
Température de stockage	-20 °C ... 40 °C



4.4 Accu 21,6 V

Tension nominale de l'accu	21,6 V
Température ambiante	-17 °C ... 60 °C
Température de stockage	-20 °C ... 40 °C

5 Préparatifs

ATTENTION

Risque de blessures du fait d'une mise en marche inopinée !

- ▶ Avant d'insérer l'accu, s'assurer que le produit correspondant est bien sur arrêt.
- ▶ Retirer le bloc-accu, avant d'effectuer des réglages sur l'appareil ou de changer les accessoires.

Bien respecter les consignes de sécurité et les avertissements de la présente documentation ainsi que celles figurant sur le produit.

5.1 Recharge de l'accu

1. Avant de commencer la charge, lire le mode d'emploi du chargeur.
2. Veiller à ce que les contacts de l'accu et du chargeur sont propres et secs.
3. Charger l'accu à l'aide d'un chargeur homologué.

5.2 Introduction de l'accu

ATTENTION

Risque de blessures du fait d'un court-circuit ou de la chute de l'accu !

- ▶ Avant d'insérer l'accu dans l'appareil, s'assurer que les contacts de l'accu et les contacts sur le produit sont exempts de corps étrangers.
 - ▶ S'assurer que l'accu s'encliquette toujours correctement.
1. L'accu doit être entièrement chargé avant la première mise en service.
 2. Insérer l'accu dans l'appareil jusqu'à ce qu'il s'encliquette avec un clic audible.
 3. Vérifier que l'accu est bien en place.

5.3 Retrait de l'accu

1. Appuyer sur les boutons de déverrouillage de l'accu.
2. Retirer l'accu hors de l'appareil.

5.4 Montage de la patte d'accrochage (en option)

AVERTISSEMENT

Risque de blessures Danger engendré par la chute de l'appareil.

- ▶ Une chute de l'appareil pourrait vous mettre en danger ou mettre en danger d'autres personnes. Avant de commencer à travailler, vérifier que la patte d'accrochage à la ceinture est bien fixée.



Cette patte permet d'accrocher l'appareil à la ceinture le long du corps. La patte d'accrochage peut être montée à droite ou à gauche selon le côté sur lequel l'appareil doit être porté.

1. Retirer l'accu. → Page 21
2. Insérer la patte d'accrochage dans l'ouverture prévue à cet effet à la base de la visseuse.
3. Fixer la patte d'accrochage à la ceinture à l'aide des 2 vis.



5.5 Montage de l'outil amovible 3

SID 14-A
SID 22-A

1. Vérifier que l'emmanchement de l'outil amovible est bien propre.
 - ▶ Le cas échéant, nettoyer l'emmanchement.
2. Mettre l'inverseur du sens de rotation droite / gauche sur la position médiane ou sortir l'accu de l'appareil.
3. Emmancher l'outil amovible à fond dans le porte-outil jusqu'à ce qu'il s'encliquette.
4. Avant la mise en service, vérifier que l'outil amovible est bien en place et correctement serré.

5.6 Montage de l'outil amovible 4

SIW 14-A
SIW 22-A

1. Vérifier que l'emmanchement de l'outil amovible est bien propre.
 - ▶ Le cas échéant, nettoyer l'emmanchement.
2. Mettre l'inverseur du sens de rotation droite / gauche sur la position médiane ou sortir l'accu de l'appareil.
3. Aligner l'alésage latéral de l'outil amovible avec la demi-rotule sur le porte-outil.
4. Pousser l'outil dans le mandrin jusqu'à ce qu'il s'encliquette.
5. Avant la mise en service, vérifier que l'outil amovible est bien en place et correctement serré.

5.7 Montage de l'outil amovible 5

SIW 22-A

ATTENTION

Risque de blessures à cause d'un outil inadéquat !

- ▶ Utiliser exclusivement des outils avec possibilité de verrouillage.
- ▶ Ne pas utiliser d'outils usés ou endommagés.

1. Mettre l'inverseur du sens de rotation droite / gauche sur la position médiane ou sortir l'accu de l'appareil.
2. Sortir le joint torique de la rainure de la douille.
3. Retirer la goupille de blocage.
4. Placer la douille sur le carré d'entraînement de l'appareil.



Veiller à ce que les orifices du support de la bague de retenue sur le carré d'entraînement et la douille concordent.

5. Insérer la bague de retenue dans la douille.
6. Monter le joint torique dans la douille.
7. Avant la mise en service, vérifier que l'outil amovible est bien en place et correctement serré.

6 Utilisation

Bien respecter les consignes de sécurité et les avertissements de la présente documentation ainsi que celles figurant sur le produit.



6.1 Réglage du couple de rotation 6

- ▶ Appuyer sur le sélecteur de couple de rotation aussi souvent que nécessaire jusqu'à ce que la valeur de couple de rotation soit affichée à gauche à côté du commutateur de couple de rotation.

SID 14-A
SID 22-A

Modèle SID ... → Page 20

SIW 14-A
SIW 22-A

Modèle SIW ... → Page 20

6.2 Sélection du sens de rotation droite / gauche 7



Un dispositif de blocage empêche toute inversion du sens de rotation lorsque le moteur tourne. Dans la position médiane, l'interrupteur de commande est bloqué (blocage anti-démarrage).

- ▶ Régler l'inverseur du sens de rotation droite / gauche sur le sens de rotation souhaité.

6.3 Mise en marche

- ▶ Appuyer sur le variateur électronique de vitesse.
 - ▶ La vitesse de rotation peut être réglée en faisant varier la profondeur d'enfoncement.

6.4 Vissages



ATTENTION

Risque de blessures entraînées par des pièces endommagées ! Les vis ou la pièce travaillée risquent d'être endommagées si le couple de rotation est trop élevé. Il y a alors risque de blessures.

- ▶ Vérifier que les vis et la pièce travaillée sont adaptées au couple de rotation généré par l'appareil.

1. Mettre l'inverseur du sens de rotation droite / gauche sur la position médiane ou sortir l'accu de l'appareil.
2. Régler le couple de rotation souhaité sur le sélecteur de couple de rotation. → Page 23

6.5 Arrêt

- ▶ Relâcher le variateur électronique de vitesse.

6.6 Démontage de l'outil amovible 8

SID 14-A
SID 22-A



ATTENTION

Risque de blessures entraînées par l'outil amovible ! L'outil amovible peut être brûlant ou présenter des arêtes vives.

- ▶ Toujours porter des gants de protection lors de l'utilisation de l'appareil et pour le remplacement de l'outil amovible.

1. Mettre l'inverseur du sens de rotation droite / gauche sur la position médiane ou sortir l'accu de l'appareil.
2. Tirer l'anneau du porte-outil vers l'avant et le maintenir fermement.
3. Tirer l'outil amovible hors du mandrin.
4. Relâcher l'anneau du porte-outil.



6.7 Démontage de l'outil amovible 9

SIW 14-A
SIW 22-A

ATTENTION

Risque de blessures entraînées par l'outil amovible ! L'outil amovible peut être brûlant ou présenter des arêtes vives.

- ▶ Toujours porter des gants de protection lors de l'utilisation de l'appareil et pour le remplacement de l'outil amovible.

1. Mettre l'inverseur du sens de rotation droite / gauche sur la position médiane ou sortir l'accu de l'appareil.
2. Tirer l'outil amovible hors du mandrin.

6.8 Démontage de l'outil amovible 10

SIW 22-A

1. Mettre l'inverseur du sens de rotation droite / gauche sur la position médiane ou sortir l'accu de l'appareil.
2. Sortir le joint torique de la rainure de la douille.
3. Retirer la goupille de blocage.
4. Enlever la douille du carré d'entraînement de l'appareil.
5. Monter la goupille de blocage.
6. Monter le joint torique de sécurité dans la douille.

7 Nettoyage et entretien

AVERTISSEMENT

Risque de blessures lorsque l'accu est inséré !

- ▶ Toujours retirer l'accu avant tous travaux de nettoyage et d'entretien !

Entretien de l'appareil

- Éliminer prudemment les saletés récalcitrantes.
- Nettoyer les ouïes d'aération avec précaution au moyen d'une brosse sèche.
- Nettoyer le boîtier uniquement avec un chiffon légèrement humidifié. Ne pas utiliser de nettoyeurs à base de silicone, ceci pourrait attaquer les pièces en plastique.

Entretien des accus Li-ion

- Veiller à ce que l'accu soit toujours propre et exempt de traces de graisse et d'huile.
- Nettoyer le boîtier uniquement avec un chiffon légèrement humidifié. Ne pas utiliser de nettoyeurs à base de silicone, ceci pourrait attaquer les pièces en plastique.
- Éviter toute pénétration d'humidité.

Entretien

- Vérifier régulièrement qu'aucune pièce visible n'est endommagée et que les organes de commande sont parfaitement opérationnels.
- En cas d'endommagements et/ou de dysfonctionnements, ne pas utiliser le produit. Le faire immédiatement réparer par le S.A.V. **Hilti**.
- Après des travaux de nettoyage et d'entretien, vérifier si tous les équipements de protection sont bien en place et fonctionnent parfaitement.



Pour une utilisation en toute sécurité, utiliser uniquement des pièces de rechange et consommables d'origine. Vous trouverez les pièces de rechange, consommables et accessoires autorisés convenant pour votre produit dans le centre **Hilti Store** ou sous : www.hilti.group.



8 Transport et stockage des appareils sur accu

Transport

ATTENTION

Mise en marche inopinée lors du transport !

- ▶ Toujours retirer les accus avant de transporter les produits !
- ▶ Retirer les accus.
- ▶ Ne jamais transporter les accus en vrac.
- ▶ Avant toute utilisation consécutive à un transport prolongé de l'appareil et des accus, toujours vérifier qu'ils ne sont pas endommagés.

Stockage

ATTENTION

Endommagement involontaire du fait d'accus défectueux ou de chute d'accu !

- ▶ Toujours retirer les accus avant de stocker les produits !
- ▶ Stocker l'appareil et les accus si possible au frais et au sec.
- ▶ Ne jamais stocker les accus exposés au soleil, sur des installations de chauffage ou derrière des vitres.
- ▶ Stocker l'appareil et les accus hors de portée des enfants et des personnes non autorisées.
- ▶ Avant toute utilisation consécutive à un stockage prolongé de l'appareil et des accus, toujours vérifier qu'ils ne sont pas endommagés.

9 Aide au dépannage

En cas de défaillances non énumérées dans ce tableau ou auxquelles il n'est pas possible de remédier sans aide, contacter le S.A.V. **Hilti**.

9.1 Aide au dépannage

Défaillance	Causes possibles	Solution
L'appareil ne fonctionne pas.	L'accu n'est pas complètement encliqueté.	▶ Mettre l'accu en place. → Page 21
	L'accu est déchargé.	▶ Charger l'accu. → Page 21
Impossible d'enfoncer le variateur électronique de vitesse ou le variateur est bloqué.	Inverseur du sens de rotation droite / gauche sur la position médiane.	▶ Régler l'inverseur du sens de rotation droite / gauche. → Page 23
La vitesse de rotation chute brusquement.	L'accu est déchargé.	▶ Charger l'accu. → Page 21
L'accu se vide plus rapidement que d'habitude.	Température ambiante très basse.	▶ Laisser l'accu se réchauffer lentement à la température de service.
L'accu ne s'encliquette pas avec un « double-clic » audible.	Ergots d'encliquetage encrassés sur l'accu.	▶ Nettoyer les ergots d'encliquetage et encliqueter l'accu dans son logement. Si le problème persiste, contacter le S.A.V. Hilti .
Important dégagement de chaleur dans l'appareil ou dans l'accu.	Défaut électrique.	▶ Arrêter immédiatement l'appareil, sortir l'accu et l'examiner, le laisser refroidir et contacter le S.A.V. Hilti .
	Charge excessive de l'appareil (limite d'emploi dépassée).	▶ Choisir l'appareil adéquat selon l'application considérée.

10 Recyclage

Les appareils **Hilti** sont fabriqués pour une grande partie en matériaux recyclables. Le recyclage présuppose un tri adéquat des matériaux. **Hilti** reprend les appareils usagés dans de nombreux pays en vue de leur recyclage. Consulter le service clients **Hilti** ou un conseiller commercial.



Élimination des accus

Une élimination non conforme des accus peut produire des émanations de gaz et de liquides nocives pour la santé.

- ▶ Ne pas envoyer ni expédier d'accus endommagés !
- ▶ Recouvrir les raccordements avec un matériau non conducteur pour éviter tout court-circuit.
- ▶ Éliminer les accus en veillant à ce qu'ils soient hors de la portée des enfants.
- ▶ Éliminer l'accu en le déposant auprès du **Hilti Store** local ou s'adresser à l'entreprise de collecte des déchets compétente.



- ▶ Ne pas jeter les appareils électriques, électroniques et accus dans les ordures ménagères !

11 RoHS (directive relative à la limitation d'utilisation des substances dangereuses)

Vous trouverez sous les liens ci-dessous le tableau des substances dangereuses : qr.hilti.com/r4923, qr.hilti.com/r4922, qr.hilti.com/r4927 et qr.hilti.com/r4926.

Vous trouverez à la fin de cette documentation, sous forme de code QR, un lien menant au tableau RoHS.

12 Garantie constructeur

- ▶ En cas de questions sur les conditions de garantie, veuillez vous adresser à votre partenaire **Hilti** local.

Original brugsanvisning

1 Oplysninger vedrørende dokumentationen

1.1 Vedrørende denne dokumentation

- Læs denne dokumentation igennem før ibrugtagning. Det er en forudsætning for sikkert arbejde og korrekt håndtering.
- Følg sikkerheds- og advarselshenvisningerne i denne dokumentation og på produktet.
- Opbevar altid brugsanvisningen sammen med produktet, og overdrag det kun til andre personer sammen med denne anvisning.

1.2 Tegnforklaring

1.2.1 Advarsler

Advarsler advarer mod farer ved håndtering af produktet. Følgende signalord anvendes:

**FARE****FARE !**

- ▶ Betegner en umiddelbart truende fare, der kan medføre alvorlige kvæstelser eller døden.

**ADVARSEL****ADVARSEL !**

- ▶ Står ved en potentielt truende fare, der kan medføre alvorlige kvæstelser eller døden.

**FORSIGTIG****FORSIGTIG !**

- ▶ Betegner en potentielt farlig situation, der kan forårsage lettere personskader eller materielle skader.

1.2.2 Symboler i denne dokumentation

Følgende symboler anvendes i denne dokumentation:



Læs brugsanvisningen før brug



	Anvisninger for anvendelse og andre nyttige oplysninger
	Håndtering af genvindbare materialer
	Elektriske maskiner og batterier må ikke bortskaffes som almindeligt husholdningsaffald

1.2.3 Symboler i illustrationer

Følgende symboler anvendes på illustrationer:

	Disse tal henviser til de forskellige illustrationer i begyndelsen af brugsanvisningen
	Nummereringen udtrykker arbejdsstrinenes rækkefølge på illustrationen og kan afvige fra arbejds-trinene i teksten
	Positionsnumre anvendes i illustrationen Oversigt og refererer til tallene i symbolforklaringen i afsnittet Produktoversigt
	Dette symbol skal sikre skærpet opmærksomhed ved omgang med produktet.

1.3 Produktspecifikke symboler

1.3.1 Symboler på produktet

Følgende symboler kan forekomme på produktet:

	Boring uden slagfunktion
	Slagboring
/min	Omdrejning pr. minut
n_0	Nominelt omdrejningstal ubelastet
	Jævnstrøm
Li-Ion	Lithium-ion-batteri
	Anvendt Hilti lithium-ion-batteriserie. Overhold oplysningerne i kapitlet Tilsigtet anvendelse .
	Maskinen understøtter NFC-teknologi, som er kompatibel med iOS- og Android-platteforme.
	Brug aldrig batteriet som slagværktøj.
	Lad ikke batteriet falde på gulvet. Brug ikke et batteri, der har fået et slag eller på anden vis er beskadiget.

1.4 Produktplysninger

HILTI-produkter er beregnet til professionel brug og må kun betjenes, efterses og vedligeholdes af autoriseret og instrueret personale. Dette personale skal i særdeleshed informeres om de potentielle farer, der er forbundet med anvendelsen af denne maskine. Der kan opstå farlige situationer ved anvendelse af produktet og det tilhørende udstyr, hvis det anvendes af personer, der ikke er blevet undervist i dens brug, eller hvis det ikke anvendes korrekt i henhold til forskrifterne i denne brugsanvisning.

Typebetegnelse og serienummer fremgår af typeskiltet.



- ▶ Notér serienummeret i den efterfølgende tabel. Du skal bruge produktoplysningerne ved henvendelser til vores lokale afdeling eller vores serviceværksted.

Produktoplysninger

Batteridrevet skruemaskine	SID 14-A, SID 22-A
Batteridrevet slagskruemaskine	SIW 14-A, SIW 22-A
Generation:	01
Serienummer:	

1.5 Overensstemmelseserklæring

Vi erklærer som eneansvarlige, at det beskrevne produkt er i overensstemmelse med gældende direktiver og standarder. Sidst i dette dokument finder du et billede af overensstemmelseserklæringen.

Den tekniske dokumentation er arkiveret her:

Hilti Entwicklungsgesellschaft mbH | Zulassung Geräte | Hiltistraße 6 | 86916 Kaufering, DE

2 Sikkerhed

2.1 Generelle sikkerhedsanvisninger for elværktøj

⚠ ADVARSEL Læs alle sikkerhedsanvisninger, henvisninger, billedtekster og tekniske data på elværktøjet. Hvis følgende anvisninger ikke overholdes, er der risiko for elektrisk stød, brand og/eller alvorlige personskader.

Opbevar alle sikkerhedsanvisninger og instruktioner til senere brug.

Det benyttede begreb "elværktøj" i sikkerhedsanvisningerne refererer til elektriske maskiner (med netledning) eller batteridrevne maskiner (uden netledning).

Arbejdspladssikkerhed

- ▶ **Sørg for at holde arbejdsområdet ryddeligt og godt oplyst.** Uorden eller uoplyste arbejdsområder øger faren for uheld.
- ▶ **Brug ikke elværktøj i eksplosionstruede omgivelser, hvor der er brændbare væsker, gasser eller støv.** Elværktøj kan slå gnister, der kan antænde støv eller dampe.
- ▶ **Sørg for, at andre personer og ikke mindst børn holdes væk fra arbejdsområdet, når elværktøjet er i brug.** Hvis man distraheres, kan man miste kontrollen over maskinen.

Elektrisk sikkerhed

- ▶ **Elværktøjets stik skal passe til kontakten. Stikket må under ingen omstændigheder ændres. Brug ikke adapterstik sammen med jordforbundne elværktøj.** Uændrede stik, der passer til kontakterne, nedsætter risikoen for elektrisk stød.
- ▶ **Undgå kropskontakt med jordforbundne overflader som f.eks. rør, radiatorer, komfurer og køleskabe.** Hvis din krop er jordforbundet, øges risikoen for elektrisk stød.
- ▶ **Elværktøj må ikke udsættes for regn eller fugt.** Indtrængning af vand i elværktøj øger risikoen for elektrisk stød.
- ▶ **Brug ikke ledningen til formål, den ikke er beregnet til (f.eks. må man aldrig bære elværktøjet i ledningen, hænge det op i ledningen eller rykke i ledningen for at trække stikket ud af kontakten). Beskyt ledningen mod varme, olie, skarpe kanter eller dele, der er i bevægelse.** Beskadigede eller sammenviklede ledninger øger risikoen for elektrisk stød.
- ▶ **Hvis elværktøjet benyttes i det fri, må der kun benyttes en forlængerledning, der er egnet til udendørs brug.** Brug af forlængerledning til udendørs brug nedsætter risikoen for elektrisk stød.
- ▶ **Hvis det ikke kan undgås at anvende elværktøjet i fugtige omgivelser, skal du anvende et fejlstrømsrelæ.** Anvendelsen af et fejlstrømsrelæ nedsætter risikoen for et elektrisk stød.

Personlig sikkerhed

- ▶ **Det er vigtigt at være opmærksom, se, hvad man laver, og bruge maskinen fornuftigt. Anvend aldrig elværktøj, hvis du er træt eller påvirket af stoffer, alkohol eller medicin.** Et øjeblik uopmærksomhed under brugen af elværktøjet kan medføre alvorlige personskader.
- ▶ **Brug beskyttelsesudstyr, og hav altid beskyttelsesbriller på.** Brug af sikkerhedsudstyr som f.eks. støvmaske, skridsikkert fodtøj, beskyttelseshjelm eller hørevare afhængigt af elværktøjets type og anvendelse nedsætter risikoen for personskader.
- ▶ **Undgå utilsigtet igangsætning. Kontrollér, at elværktøjet er frakoblet, før du slutter det til strømforsyningen og/eller batteriet, tager det op eller transporterer det.** Undgå at bære elværktøjet med fingeren på afbryderen, og sørg for, at det ikke er tændt, når det sluttes til nettet, da dette øger risikoen for personskader.



- ▶ **Fjern indstillingsværktøj eller skruenøgler, inden elværktøjet tændes.** Hvis et stykke værktøj eller en nøgle sidder i en roterende maskindel, er der risiko for personskader.
- ▶ **Undgå at arbejde i unormale kropstillinger. Sørg for at stå sikkert, mens der arbejdes, og kom ikke ud af balance.** Det er derved nemmere at kontrollere elværktøjet, hvis der skulle opstå uventede situationer.
- ▶ **Brug egnet arbejdstøj. Undgå løse beklædningsgenstande eller smykker. Hold hår, tøj og handsker væk fra dele, der bevæger sig.** Dele, der er i bevægelse, kan gribe fat i løstsiddende tøj, smykker eller langt hår.
- ▶ **Hvis støvudsugnings- og opsamlingsudstyr kan monteres, er det vigtigt, at dette tilsluttes og benyttes korrekt.** Ved at anvende en støvudsugning er det muligt at nedsætte risiciene som følge af støv.
- ▶ **Man må ikke ignorere sikkerhedsreglerne for elværktøj, heller ikke selvom man er fortrolig med brugen af elværktøjet.** Uagtsomhed kan medføre alvorlig tilskadekomst inden for få sekunder.

Anvendelse og pleje af elværktøjet

- ▶ **Undgå at overbelaste maskinen. Brug altid en maskine, der er beregnet til det stykke arbejde, der skal udføres.** Med det rigtige værktøj arbejder man bedst og mest sikkert inden for det angivne effektområde.
- ▶ **Brug ikke elværktøj, hvis afbryderen er defekt.** En maskine, der ikke kan startes og stoppes, er farlig og skal repareres.
- ▶ **Træk stikket ud af stikkontakten, og/eller fjern batteriet fra maskinen, inden du foretager indstillinger på den, skifter tilbehør og dele eller lægger den til side.** Disse sikkerhedsforanstaltninger forhindrer utilsigtet start af elværktøjet.
- ▶ **Opbevar ubenyttede elværktøjer uden for børns rækkevidde. Lad aldrig personer, der ikke er fortrolige med maskinen eller ikke har gennemlæst sikkerhedsanvisningerne, benytte denne.** Elværktøj er farligt, hvis det benyttes af ukyndige personer.
- ▶ **Sørg for at pleje elværktøj omhyggeligt. Kontrollér, om bevægelige dele fungerer korrekt og ikke sidder fast, og om delene er brækket eller beskadiget, således at elværktøjets funktion påvirkes. Få beskadigede dele repareret, inden elværktøjet tages i brug.** Mange uheld skyldes dårligt vedligeholdte elværktøjer.
- ▶ **Sørg for, at skæreværktøjer er skarpe og rene.** Omhyggeligt vedligeholdte skæreværktøjer med skarpe skærekanter sætter sig ikke så hurtigt fast og er nemmere at føre.
- ▶ **Anvend elværktøj, tilbehør, indsatsværktøj osv. i overensstemmelse med disse anvisninger. Tag hensyn til arbejdsforholdene og det arbejde, der skal udføres.** I tilfælde af anvendelse af maskinen til formål, som ligger uden for det fastsatte anvendelsesområde, kan der opstå farlige situationer.
- ▶ **Sørg for, at greb og gribeblader er tørre, rene og fri for olie og fedt.** Glatte greb og gribeblader gør betjeningen usikker, og det kan være svært at styre elværktøjet i uforudsete situationer.

Anvendelse og pleje af batteridrevet elværktøj

- ▶ **Oplad kun batterier i ladere, der er anbefalet af fabrikanten.** Der er risiko for brand, hvis en lader, der er beregnet til et bestemt batteri, anvendes til opladning af en anden batteritype.
- ▶ **Brug kun de batterier, der er beregnet til elværktøjet.** Brug af andre batterier øger risikoen for personskader og er forbundet med brandfare.
- ▶ **Ikke benyttede batterier må ikke komme i berøring med kontorclips, mønter, nøgler, søm, skruer eller andre små metalgenstande, da disse kan kortslutte kontakterne.** En kortslutning mellem batterikontakterne øger risikoen for personskader i form af forbrændinger.
- ▶ **Hvis batteriet anvendes forkert, kan der løbe væske ud af batteriet. Undgå at komme i kontakt med denne væske. Hvis det alligevel skulle ske, skylles med vand. Søg læge, hvis væsken kommer i øjnene.** Batterivæske kan give hudirritation eller forbrændinger.
- ▶ **Brug aldrig et beskadiget eller ændret batteri.** Beskadigede eller ændrede batterier kan virke utilsigtet og medføre brand, eksplosion eller risiko for tilskadekomst.
- ▶ **Batterier må ikke udsættes for åben ild eller høje temperaturer.** Ild eller temperaturer over 130 °C (265 °F) kan medføre eksplosion.
- ▶ **Følg alle anvisninger vedrørende opladning, og oplad aldrig batteriet eller det batteridrevne værktøj uden for det temperaturområde, der er anført i betjeningsvejledningen.** Forkert opladning eller opladning uden for det tilladte temperaturområde kan ødelægge batteriet og øge risikoen for brand.

Service

- ▶ **Sørg for, at elværktøjet kun repareres af kvalificerede fagfolk, og at der altid benyttes originale reservedele.** Dermed sikres størst mulig elværktøjssikkerhed.
- ▶ **Forsøg aldrig at reparere beskadigede batterier.** Al vedligeholdelse af batterier skal foretages af producenten eller af autoriserede forhandlere.



2.2 Sikkerhedsanvisninger for skruemaskiner og slagskruemaskiner

- ▶ Hold elværktøjet på de isolerede grebsflader, når du udfører opgaver, hvor skruen kan ramme skjulte elledninger. Ved kontakt mellem skruen og en spændingsførende ledning kan også metalliske værktøjsdele sættes under spænding, hvilket kan medføre elektrisk stød.

2.3 Yderligere sikkerhedsanvisninger for skruemaskinen

Personlig sikkerhed

- ▶ Anvend kun produktet i teknisk fejlfri stand.
- ▶ Foretag aldrig manipulationer eller ændringer på maskinen.
- ▶ Brug de ekstrahåndgreb, som følger med maskinen. Hvis du mister kontrollen, kan det medføre personsikkerhedsrisiko.
- ▶ Hold altid maskinen med begge hænder på de dertil beregnede håndtag. Sørg for, at håndgrebene er tørre og rene.
- ▶ Undgå berøring af roterende dele - fare for personsikkerhedsrisiko!
- ▶ Anvend egnede beskyttelsesbriller, sikkerhedshjelm, høreværn, beskyttelseshandsker og et let åndedrætsværn under brugen af maskinen.
- ▶ Brug også beskyttelseshandsker, når du skifter værktøj. Berøring af indsatsværktøjet kan medføre snitsår og forbrændinger.
- ▶ Brug øjenværn. Splinterne fra materialet kan medføre skader på legeme og øjne.
- ▶ Find ud af, hvilken fareklasse det støv, der opstår ved arbejdet, har, inden du går i gang med arbejdet. Anvend en industristøvsuger med en officielt tilladt beskyttelsesklassificering, som opfylder de lokale støvbeskyttelsesbestemmelser. Støv fra materialer såsom blyholdig maling, visse træsorter, beton / murværk / natursten, som indeholder kvarts, og mineraler samt metal kan være sundhedsfarlige.
- ▶ Sørg for en god ventilation af arbejdspladsen, og brug om nødvendigt et åndedrætsværn, som egner sig til den pågældende støvtype. Berøring eller indånding af støv kan medføre allergiske reaktioner og/eller luftvejssygdomme hos brugeren eller personer, der opholder sig i nærheden. Bestemte støvtyper, f.eks. støv fra ege- og bøgetræ, er kræftfremkaldende, især i forbindelse med tilsætningsstoffer til træbehandling (kromat, træbeskyttelsesmidler). Asbestholdige materialer må kun håndteres af fagfolk.
- ▶ Hold pauser under arbejdet, og lav øvelser, så dine fingre får en bedre blodgennemstrømning. Ved længerevarende arbejde kan vibrationer medføre forstyrrelser af fingrenes, hændernes eller håndleddenes blodkar og nervesystem.

Elektrisk sikkerhed

- ▶ Kontrollér før påbegyndelse af arbejdet arbejdsområdet for skjulte elektriske ledninger, gas- og vandrør, f.eks. med en metaldetektor. Udvendige metaldele på maskinen kan medføre elektrisk stød, hvis du ved en fejl kommer til at beskadige en elledning.

Omhyggelig omgang med og brug af elværktøj

- ▶ Sluk omgående elværktøjet, når værktøjet er blokeret. Maskinen kan trække til siden.
- ▶ Vent, indtil elværktøjet er standset helt, før du lægger det fra dig.

2.4 Omhyggelig omgang med og brug af batterier

- ▶ Læs de særlige retningslinjer for transport, opbevaring og brug af lithium-ion-batterier.
- ▶ Hold batterier på sikker afstand af høje temperaturer, direkte solindstråling og ild.
- ▶ Batterierne må ikke adskilles, klemmes, opvarmes til over 80 °C eller brændes.
- ▶ Anvend og oplad ikke batterier, som har fået et slag, er faldet på gulvet fra mere end en meters højde eller på anden vis er blevet beskadiget. Kontakt i så fald altid **Hilti Service**.
- ▶ Hvis batteriet er for varmt til at kunne røres, kan det være defekt. Placer produktet på et ikke-brændbart sted i tilstrækkelig afstand til brændbare materialer, hvor det er muligt at holde øje med det, og lad det køle af. Kontakt i så fald altid **Hilti Service**.



3 Beskrivelse

3.1 Produktoversigt



- ① Indvendig sekskant (SID)
- ② Belysning
- ③ Omskifter til valg af højre-/venstreløb med startspærre
- ④ Afbryder (med elektronisk hastighedsstyring)
- ⑤ Udvendig firkant (SIW)
- ⑥ Momentomskifter
- ⑦ Bæltekrog (ekstratilbehør)
- ⑧ Batteritilstandsindikator
- ⑨ Frigøringsknop (batteri B22/...)
- ⑩ Frigøringsknop (batteri B14/...)

3.2 Bestemmelsesmæssig anvendelse

Det beskrevne produkt er en håndført batteridrevet slagskruemaskine. Den er beregnet til at spænde og løsne skruer, møtrikker og bolte med gevind i træ, metal, murværk og beton.

Slagskruemaskinen må kun anvendes til opgaver, der ikke kræver et præcist/specificeret drejningsmoment. I modsat fald er der fare for at dreje skruen over eller at beskadige skruen eller emnet.

- ▶ Anvend kun **Hilti** lithium-ion-batterier i typeserien B14 (SID/SIW 14-A) eller B22 (SID/SIW 22-A) til dette produkt.
- ▶ Anvend kun **Hilti** ladere i C4/36-serien til disse batterier.

3.3 Ladestatusindikator

Lithium-ion-batteriets ladetilstand vises efter et let tryk på frigøringsknappen eller en af frigøringsknapperne, hvis der er flere (højst indtil mærkbar modstand).

Tilstand	Betydning
4 lysdioder.	Ladetilstand: 75 % til 100 %
3 lysdioder lyser.	Ladetilstand: 50 % til 75 %
2 lysdioder lyser.	Ladetilstand: 25 % til 50 %
1 lysdiode lyser.	Ladetilstand: 10 % til 25 %
1 Lysdiode blinker.	Ladetilstand: < 10 %

Når afbryderen er aktiveret, og op til 5 sekunder efter at afbryderen er sluppet, er det ikke muligt at få vist ladetilstanden.

3.4 Leveringsomfang

Slagboremaskine, brugsanvisning.

Reserveredele, forbrugsmaterialer og tilbehør til dit produkt, som vi har godkendt, finder du i dit **Hilti Store Center** eller under: www.hilti.group | USA: www.hilti.com



4 Slagskruemaskine

		SID 14-A	SIW 14-A
Nominal spænding		14,4 V	14,4 V
Vægt i henhold til EPTA Procedure-01		1,6 kg	1,6 kg
Nom. omdrejningstal ubelastet	Position I	0/min ... 1.000/min	0/min ... 1.000/min
	Position II	0/min ... 1.500/min	0/min ... 1.500/min
	Position III	0/min ... 2.500/min	0/min ... 2.300/min
Slagtal		≤ 3.100/min	≤ 3.400/min
Momentindstilling		3 trin	3 trin
Størrelse, standardskruer		M8 til M16	M8 til M16
Størrelse, skruer med høj trækstyrke		M6 til M12	M6 til M12
Værktøjsholder		1/4" indvendig sekskant med sikkerhedsmanchet	1/2" udvendig firkant med halvkonus eller 3/8" udvendig firkant med låsering
Omgivende temperatur under drift		-17 °C ... 60 °C	-17 °C ... 60 °C
Opbevaringstemperatur		-20 °C ... 70 °C	-20 °C ... 70 °C

		SID 22-A	SIW 22-A
Nominal spænding		21,6 V	21,6 V
Vægt i henhold til EPTA Procedure-01		2,1 kg	2,1 kg
Nom. omdrejningstal ubelastet	Position I	0/min ... 1.000/min	0/min ... 1.000/min
	Position II	0/min ... 1.500/min	0/min ... 1.500/min
	Position III	0/min ... 2.500/min	0/min ... 2.300/min
Slagtal		≤ 3.450/min	≤ 3.500/min
Momentindstilling		3 trin	3 trin
Størrelse, standardskruer		M8 til M16	M8 til M16
Størrelse, skruer med høj trækstyrke		M6 til M12	M6 til M12
Værktøjsholder		1/4" indvendig sekskant med sikkerhedsmanchet	1/2" udvendig firkant med halvkonus eller 3/8" udvendig firkant med låsering
Omgivende temperatur under drift		-17 °C ... 60 °C	-17 °C ... 60 °C
Opbevaringstemperatur		-20 °C ... 70 °C	-20 °C ... 70 °C

4.1 Støjinformation og vibrationsværdier iht. EN 62841

Lydtryk- og vibrationsværdier i denne brugsanvisning er målt i henhold til en standardiseret målemetode og kan anvendes til sammenligning af forskellige elværktøjer. De kan også anvendes til en foreløbig vurdering af den eksponering, brugeren udsættes for.

De anførte data repræsenterer elværktøjets primære anvendelsesformål. Hvis elværktøjet imidlertid anvendes til andre formål, med andre indsatsværktøjer eller utilstrækkelig vedligeholdelse, kan dataene afvige. Dette kan forøge den eksponering, som brugeren udsættes for, i hele arbejdstiden markant.

For at opnå en præcis vurdering af den eksponering, som brugeren udsættes for, bør også den tid, hvor maskinen er slukket eller blot kører uden at blive anvendt, inddrages. Dette kan reducere den eksponering, som brugeren udsættes for, i hele arbejdstiden markant.

Fastlæg yderligere sikkerhedsforanstaltninger til beskyttelse af brugeren mod støj- og/eller vibrationspåvirkninger, f.eks. er det vigtigt at vedligeholde elværktøj og indsatsværktøj, at holde hænderne varme og at organisere arbejdsprocesserne.

Støjinformation

	SID 14-A	SIW 14-A	SID 22-A	SIW 22-A
Lydeffektniveau (L_{WA})	94 dB(A)	94 dB(A)	97 dB(A)	97 dB(A)
Usikkerhed, lydeffektniveau (K_{WA})	3 dB(A)	3 dB(A)	3 dB(A)	3 dB(A)



	SID 14-A	SIW 14-A	SID 22-A	SIW 22-A
Lydtrykniveau (L_{pA})	83 dB(A)	83 dB(A)	86 dB(A)	86 dB(A)
Usikkerhed, lydtrykniveau (K_{pA})	3 dB(A)	3 dB(A)	3 dB(A)	3 dB(A)

Samlede vibrationsværdier

	SID 14-A	SIW 14-A	SID 22-A	SIW 22-A
Vibrationsemissionsværdi, tilspænding af skruer og møtrikker af maksimalt tilladt størrelse (a_{h})	7,5 m/s ²	7,5 m/s ²	11 m/s ²	11 m/s ²
Usikkerhed, tilspænding af skruer og møtrikker af maksimalt tilladt størrelse	1,5 m/s ²	1,5 m/s ²	1,5 m/s ²	1,5 m/s ²

4.2 Momentindstilling

Momentet vælges via momentomskifterens position.

Model SID ...

SID 14-A

SID 22-A

		Model	
		SID 14-A	SID 22-A
Drejningsmoment	Position I	50 Nm	60 Nm
	Position II	100 Nm	110 Nm
	Position III	150 Nm	165 Nm

Model SIW ...

SIW 14-A

SIW 22-A

		SIW 14-A	
		1/2" udvendig firkant med halvkonus	3/8" udvendig firkant med låsering
Drejningsmoment	Position I	80 Nm	65 Nm
	Position II	120 Nm	115 Nm
	Position III	185 Nm	160 Nm

		SIW 22-A	
		1/2" udvendig firkant med halvkonus	3/8" udvendig firkant med låsering
Drejningsmoment	Position I	90 Nm	75 Nm
	Position II	135 Nm	120 Nm
	Position III	200 Nm	175 Nm

4.3 Batteri 14,4 V

Batteridriftsspænding	14,4 V
Omgivende temperatur	-10 °C ... 60 °C
Opbevaringstemperatur	-20 °C ... 40 °C

4.4 Batteri 21,6 V

Batteridriftsspænding	21,6 V
Omgivende temperatur	-17 °C ... 60 °C
Opbevaringstemperatur	-20 °C ... 40 °C



5 Forberedelse af arbejdet

FORSIGTIG

Fare for personskader på grund af utilsigtet start!

- ▶ Før isætning af batteriet skal du kontrollere, at det tilhørende produkt er slukket.
 - ▶ Fjern batteriet fra maskinen, inden du foretager indstillinger eller skifter tilbehørsdele på den.
-

Følg sikkerheds- og advarselshenvisningerne i denne dokumentation og på produktet.

5.1 Opladning af batteri

1. Læs brugsanvisningen til laderen før opladning.
2. Vær opmærksom på, at kontakterne på batteriet og laderen er rene og tørre.
3. Oplad batteriet i en godkendt lader.

5.2 Isætning af batteri

FORSIGTIG

Fare for personskader på grund af kortslutning eller batteri, der falder på gulvet!

- ▶ Før isætning af batteriet skal du kontrollere, at batteriets kontakter og kontakterne på produktet er fri for fremmedlegemer.
 - ▶ Kontrollér, at batteriet altid går korrekt i indgreb.
1. Lad batteriet helt op før første ibrugtagning.
 2. Sæt batteriet i maskinholderen, indtil det går hørbart i indgreb.
 3. Kontrollér, at batteriet er sat korrekt i.
-

5.3 Fjernelse af batteri


1. Tryk på batteriets frigøringsknapper.
2. Træk batteriet ud af maskinen.

5.4 Montering af bæltekrog (ekstratilbehør)

ADVARSEL

Fare for personskader Fare på grund af maskine, der falder på gulvet.

- ▶ En maskine, som falder på gulvet, kan være til fare for dig selv og andre. Kontrollér før arbejdets begyndelse, at bæltekrogen er sikkert fastgjort.
-

 Med bæltekrogen kan du fastgøre maskinen i bæltet tæt på kroppen. Bæltekrogen kan monteres i både højre og venstre side.

1. Fjern batteriet. → Side 34
2. Sæt bæltekrogen ind i den dertil beregnede åbning for enden af skruemaskinen.
3. Fastgør bæltekrogen med de 2 skruer.

5.5 Montering af indsatsværktøj

SID 14-A
SID 22-A

1. Kontrollér, at indsatsværktøjets indstiksende er ren.
 - ▶ Rengør om nødvendigt indstiksenden.
2. Sæt omskifteren til valg af højre-/venstreløb i midterposition, eller tag batteriet ud af maskinen.
3. Sæt indsatsværktøjet i værktøjsholderen indtil anslag, og lad det gå i indgreb.
4. Kontrollér, at indsatsværktøjet sidder korrekt og sikkert før ibrugtagning.



5.6 Montering af indsatsværktøj 4

SIW 14-A
SIW 22-A

1. Kontrollér, at indsatsværktøjets indstiksende er ren.
 - ▶ Rengør om nødvendigt indstiksenden.
2. Sæt omskifteren til valg af højre-/venstreløb i midterposition, eller tag batteriet ud af maskinen.
3. Sørg for, at hullet i siden af indsatsværktøjet står ud for halvkuglen i værktøjsholderen.
4. Tryk indsatsværktøjet ind i værktøjsholderen, indtil det går hørbart i indgreb.
5. Kontrollér, at indsatsværktøjet sidder korrekt og sikkert før ibrugtagning.

5.7 Montering af indsatsværktøj 5

SIW 22-A

FORSIGTIG

Fare for personskader på grund af forkert værktøj!

- ▶ Anvend udelukkende låsbare værktøjer.
- ▶ Anvend aldrig slidte eller beskadigede værktøjer

1. Sæt omskifteren til valg af højre-/venstreløb i midterposition, eller tag batteriet ud af maskinen.
2. Fjern O-ringen fra toppens not.
3. Træk sikkerhedsstiften ud.
4. Sæt toppen på maskinens firkant.



Vær opmærksom på, at hullerne i låseringens holder og i toppen flugter.

5. Sæt sikkerhedsstiften i toppen.
6. Sæt O-ringen på toppen.
7. Kontrollér, at indsatsværktøjet sidder korrekt og sikkert før ibrugtagning.

6 Betjening

Følg sikkerheds- og advarselshenvisningerne i denne dokumentation og på produktet.

6.1 Indstilling af moment 3

- ▶ Tryk på momentvælgeren gentagne gange, indtil det ønskede momenttrin vises til venstre ud for momentvælgeren.

SID 14-A
SID 22-A

Model SID ... → Side 33

SIW 14-A
SIW 22-A

Model SIW ... → Side 33

6.2 Indstilling af højre-/venstreløb 7



En spærre forhindrer skift af omdrejningsretning, når maskinen er i gang. Når omskifteren til valg af højre-/venstreløb står i midterpositionen, er afbryderen blokeret (startspærre).

- ▶ Indstil omskifteren til valg af højre-/venstreløb til den ønskede omdrejningsretning.

6.3 Tænding

- ▶ Tryk på afbryderen.
 - ▶ Omdrejningstallet kan reguleres, alt efter hvor meget afbryderen trykkes ind.



6.4 Skruning

FORSIGTIG

Fare for personskader på grund af beskadigede emner! Skruer eller emne kan blive beskadiget ved for højt moment. Dette kan medføre personskader.

- ▶ Kontrollér, at skrueerne og emnet passer til det moment, maskinen frembringer.

1. Sæt omskifteren til valg af højre-/venstreløb i midterposition, eller tag batteriet ud af maskinen.
2. Indstil det ønskede moment på momentvælgeren. → Side 35

6.5 Frakobling

- ▶ Slip afbryderen.

6.6 Afmontering af indsatsværktøj

SID 14-A
SID 22-A

FORSIGTIG

Fare for personskader på grund af indsatsværktøj! Indsatsværktøjet kan være meget varmt eller have skarpe kanter.

- ▶ Brug beskyttelseshandsker ved anvendelse af maskinen og ved udskiftning af indsatsværktøjet.

1. Sæt omskifteren til valg af højre-/venstreløb i midterposition, eller tag batteriet ud af maskinen.
2. Træk ringen på værktøjsholderen fremad, og hold den fast.
3. Træk indsatsværktøjet ud af værktøjsholderen.
4. Slip værktøjsholderens ring.

6.7 Afmontering af indsatsværktøj

SIW 14-A
SIW 22-A

FORSIGTIG

Fare for personskader på grund af indsatsværktøj! Indsatsværktøjet kan være meget varmt eller have skarpe kanter.

- ▶ Brug beskyttelseshandsker ved anvendelse af maskinen og ved udskiftning af indsatsværktøjet.

1. Sæt omskifteren til valg af højre-/venstreløb i midterposition, eller tag batteriet ud af maskinen.
2. Træk indsatsværktøjet ud af værktøjsholderen.

6.8 Afmontering af indsatsværktøj

SIW 22-A

1. Sæt omskifteren til valg af højre-/venstreløb i midterposition, eller tag batteriet ud af maskinen.
2. Fjern O-ringen fra toppens not.
3. Træk sikkerhedsstiften ud.
4. Tag toppen af maskinens firkant.
5. Monter sikkerhedsstiften.
6. Monter O-ringen til sikring af toppen.

7 Rengøring og vedligeholdelse

ADVARSEL

Fare for personskader ved isat batteri !

- ▶ Fjern altid batteriet før alle pleje- og vedligeholdelsesarbejder!



Pleje af produktet

- Fjern forsigtigt fastsiddende snavs.
- Rengør forsigtigt ventilationsåbningerne med en tør børste.
- Rengør kun kabinettet med en let fugtet klud. Undlad at anvende silikoneholdige plejemidler, da de kan angribe plastdelene.

Pleje af lithium-ion-batterier

- Sørg for at holde batteriet tørt og fri for olie og fedt.
- Rengør kun kabinettet med en let fugtet klud. Undlad at anvende silikoneholdige plejemidler, da de kan angribe plastdelene.
- Undgå indtrængen af fugt.

Vedligeholdelse

- Kontrollér regelmæssigt alle synlige dele for skader, og at betjeningselementerne fungerer fejlfrit.
- Anvend ikke produktet i tilfælde af beskadigelse og/eller funktionsfejl. Få omgående udført reparation hos **Hilti Service**.
- Monter alle beskyttelsesanordninger efter pleje- og vedligeholdelsesarbejder, og kontrollér dem for funktion.



Anvend kun originale reservedele og forbrugsmaterialer af hensyn til en sikker drift. Reservedele, forbrugsmaterialer og tilbehør til dit produkt, som vi har godkendt, finder du i dit **Hilti Store Center** eller under: **www.hilti.group**.

8 Transport og opbevaring af batteridrevne maskiner

Transport



FORSIGTIG

Utløst start ved transport !

- ▶ Transportér altid dine produkter uden isat batteri!
- ▶ Tag batteriet ud.
- ▶ Transportér aldrig batterier liggende løst og ubeskyttet.
- ▶ Kontrollér maskine og batterier for skader før ibrugtagning efter længere transport.

Opbevaring



FORSIGTIG

Utløst beskadigelse på grund af defekte eller utætte batterier !

- ▶ Opbevar altid dine produkter uden isat batteri!
- ▶ Opbevar maskine og batterier så køligt og tørt som muligt.
- ▶ Opbevar aldrig batterier i direkte sollys, på radiatorer eller i et vindue.
- ▶ Opbevar maskine og batterier utilgængeligt for børn og uvedkommende personer.
- ▶ Kontrollér maskine og batterier for skader før ibrugtagning efter længere tids opbevaring.

9 Fejlafhjælpning

Ved fejl, som ikke fremgår af denne tabel, eller som du ikke selv kan afhjælpe, beder vi dig om at kontakte **Hilti Service**.

9.1 Fejlafhjælpning

Fejl	Mulig årsag	Løsning
Maskinen virker ikke.	Batteriet er ikke korrekt isat.	▶ Sæt batteriet i. → Side 34
	Batteriet er afladet.	▶ Oplad batteriet. → Side 34
Omdrejningsreguleringen kan ikke trykkes ned eller er blokeret.	Omskifteren til valg af højre-/venstreløb er i midterposition.	▶ Indstil omskifteren til valg af højre-/venstreløb. → Side 35
Hastigheden falder pludselig kraftigt.	Batteriet er afladet.	▶ Oplad batteriet. → Side 34



Fejl	Mulig årsag	Løsning
Batteriet aflades hurtigere end normalt.	Meget lav omgivende temperatur.	► Lad batteriet varme langsomt op til rumtemperatur.
Batteriet går ikke i indgreb med et tydeligt dobbeltklik.	Låsetapperne på batteriet er beskidte.	► Rengør holdetapperne, bring batteriet i indgreb. Hvis problemet fortsætter, skal du kontakte Hilti Service .
Kraftig varmeudvikling i maskinen eller batteriet.	Elektrisk defekt.	► Sluk omgående maskinen, tag batteriet ud, hold øje med det, lad det køle af, og kontakt Hilti Service .
	Maskinen er blevet overbelastet (anvendelsesgrænse overskredet).	► Vælg den passende maskine til opgaven.

10 Bortskaffelse

Størstedelen af de materialer, som anvendes ved fremstillingen af **Hilti**-produkter, kan genvindes. Materialerne skal sorteres, før de kan genvindes. I mange lande modtager **Hilti** dine udtjente instrumenter med henblik på genvinding. Spørg **Hilti** kundeservice eller din forhandler.

Bortskaffelse af batterier

Som følge af ukorrekt bortskaffelse af batterier kan der opstå sundhedsfare på grund af lækkende gasser eller væsker.

- Beskadede batterier må under ingen omstændigheder sendes!
- Tildæk kontakterne med et ikke-ledende materiale, så kortslutninger undgås.
- Bortskaf batterier på en sådan måde, at børn ikke kan få fat på dem.
- Bortskaf batteriet hos din **Hilti Store**, eller henvend dig til det ansvarlige renovationsfirma.



- Elværktøj, elektriske maskiner og batterier må ikke bortskaffes sammen med almindeligt husholdningsaffald!

11 RoHS (direktiv til begrænsning af anvendelsen af farlige stoffer)

Under følgende links finder du tabellen med farlige stoffer: qr.hilti.com/r4923, qr.hilti.com/r4922, qr.hilti.com/r4927 og qr.hilti.com/r4926.

Et link til RoHS-tabellen finder du i slutningen af denne dokumentation som QR-kode.

12 Producentgaranti

- Hvis du har spørgsmål vedrørende garantibetingelserne, bedes du henvende dig til din lokale **Hilti**-partner.

Originalbruksanvisning

1 Uppgifter för dokumentation

1.1 Om denna dokumentation

- Läs denna dokumentation innan du börjar ta enheten i drift. Det är en förutsättning för säkert arbete och problemfri hantering.
- Observera de säkerhets- och varningsanvisningar som du hittar i dokumentationen och på själva enheten.
- Förvara alltid bruksanvisningen tillsammans med produkten och överlämna aldrig produkten till någon annan utan att bifoga den.



1.2 Teckenförklaring

1.2.1 Varningar

Varningarna är till för att varna för risker i samband med användning av produkten. Följande riskindikeringar används:



FARA

FARA !

- Anger överhängande risker som kan leda till svåra personskador eller dödsolycka.



VARNING

VARNING !

- Anger potentiella risker som kan leda till svåra personskador eller dödsfall.



FÖRSIKTIGHET

FÖRSIKTIGHET !

- Används för att fästa uppmärksamhet på en potentiell risksituation som kan leda till skador på person eller utrustning.

1.2.2 Symboler i dokumentationen

I den här dokumentationen används följande symboler:

	Läs bruksanvisningen före användning
	Anmärkningar och annan praktisk information
	Hantering av återvinningsbara material
	Elverktyg och batterier får inte kastas i hushållssoporna

1.2.3 Symboler i bilderna

Följande symboler används i bilder:

	Dessa siffror hänvisar till motsvarande bild i början av bruksanvisningen
	Numreringen återger ordningsföljden hos arbetsmomenten på bilden och kan skilja sig från arbetsmomenten i texten
	På bilden Översikt används positionsnummer som hänvisar till siffrorna i teckenförklaringen i avsnittet Produktöversikt
	Det här tecknet är till för att du ska vara extra uppmärksam på något som gäller hur du hanterar produkten.

1.3 Produktberoende symboler

1.3.1 Symboler på produkten

Följande symboler kan förekomma på produkten:

	Borring utan slag
	Borring med slag
/min	Varv per minut
n_0	Nominellt varvtal, obelastat
	Likström



Li-Ion	Litiumjonbatteri
	Hilti-litiumjonbatteriserie som används. Observera uppgifterna i kapitlet Avsedd användning .
	Verktyget stöder NFC-teknik, som är kompatibel med iOS- och Android-plattformar.
	Använd aldrig batteriet som slagverktyg.
	Låt inte batteriet falla ner på marken. Använd inte batterier som har utsatts för slag eller på annat sätt har skadats.

1.4 Produktinformation

-produkter är avsedda för professionella användare och får endast användas, underhållas och repareras av auktoriserad, utbildad personal. Personalen måste vara särskilt informerad om de risker som finns. Produkten och dess tillbehör kan utgöra en risk om den används på ett felaktigt sätt av utbildad personal eller inte används enligt föreskrifterna.

Typbeteckning och serienummer anges på typskylten.

- ▶ Använd de serienummer som anges i följande tabell. Du behöver produktuppgifterna när du kontaktar vår återförsäljare eller serviceverkstad.

Produktdetaljer

Batteridrivna skruvdragare	SID 14-A, SID 22-A
Batteridrivna slagskruvdragare	SIW 14-A, SIW 22-A
Generation:	01
Serienr:	

1.5 Försäkringen om överensstämmelse

Vi försäkras på eget ansvar att den produkt som beskrivs här överensstämmer med gällande direktiv och standarder. En bild på försäkringen om överensstämmelse hittar du i slutet av dokumentationen.

Den tekniska dokumentationen finns sparad här:

Hilti Entwicklungsgesellschaft mbH | Zulassung Geräte | Hiltistraße 6 | 86916 Kaufering, Tyskland

2 Säkerhet

2.1 Allmänna säkerhetsföreskrifter för elverktyg

⚠ VARNING Läs noga igenom alla säkerhetsföreskrifter, anvisningar, avbildningar och tekniska data som medföljer detta elverktyg. Om nedanstående anvisningar inte följs, finns risk för elektriska stötar, brand och/eller svåra skador.

Förvara alla säkerhetsföreskrifter och anvisningarna på ett säkert ställe för framtida användning.

Begreppet "elverktyg" som används i säkerhetsföreskrifterna avser nätdrivna elverktyg (med nätkabel) och batteridrivna elverktyg (sladdlösa).

Säker arbetsmiljö

- ▶ **Håll arbetsområdet rent och väl belyst.** Oordning eller bristfällig belysning på arbetsplatsen kan leda till olyckor.
- ▶ **Arbeta inte med elverktyget i omgivning med explosionsrisk där det finns brännbara vätskor, gaser eller damm.** Elverktyg alstrar gnistor som kan antända dammet eller gaserna.
- ▶ **Håll barn och obehöriga personer på trygghetsavstånd under arbetet med elverktyget.** Om du störs av obehöriga personer kan du förlora kontrollen över verktyget.

Elsäkerhet

- ▶ **Elverktygets elkontakt måste passa till vägguttaget. Elkontakten får absolut inte ändras. Använd inte adapterkontakter tillsammans med skyddsjordade elverktyg.** Originalkontakter och lämpliga vägguttag minskar risken för elstöt.
- ▶ **Undvik kroppskontakt med jordade ytor som rör, värmelement, spisar och kylskåp.** Det finns en större risk för elstöt om din kropp är jordad.
- ▶ **Skydda elverktyget från regn och väta.** Tränger vatten in i ett elverktyg ökar risken för elstöt.



- ▶ **Använd inte anslutningskabeln på ett felaktigt sätt, t.ex. genom att bära eller hänga upp elverktyet i den eller dra i den för att lossa elkontakten ur vägguttaget. Håll anslutningskabeln på avstånd från värmekällor, olja, vassa kanter och rörliga delar.** Skadade eller tilltrasslade anslutningskablar ökar risken för elstötar.
- ▶ **När du arbetar med ett elverktyg utomhus, använd endast förlängningskablar som är avsedda för utomhusbruk.** Genom att använda en lämplig förlängningskabel för utomhusbruk minskar du risken för elstötar.
- ▶ **Om det är alldeles nödvändigt att använda verktyget i fuktig miljö ska du använda en jordfelsbrytare.** Användning av jordfelsbrytare minskar risken för elstötar.

Personssäkerhet

- ▶ **Var uppmärksam, ha uppsikt över vad du gör och använd elverktyet med förnuft. Använd aldrig elverktyg om du är trött eller påverkad av droger, alkohol eller medicin.** En kort sekund av bristande uppmärksamhet när du arbetar med ett elverktyg kan leda till att du skadar dig själv eller någon annan svårt.
- ▶ **Bär alltid personlig skyddsutrustning och skyddsglasögon.** Genom att använda personlig skyddsutrustning som t.ex. dammskyddsmask, halkfria säkerhetsskor, hjälm eller hörselskydd, beroende på vilket elverktyg du använder och till vad, minskar du risken för kroppsskada.
- ▶ **Undvik oavsiktlig igångsättning. Se till att elverktyet är frånkopplat innan du ansluter det till nätströmmen och/eller batteriet, tar upp det eller bär det.** Om du bär elverktyet med fingret på strömbrytaren eller ansluter ett tillkopplat verktyg till nätströmmen kan en olycka inträffa.
- ▶ **Ta bort alla inställningsverktyg och skruvnycklar innan du kopplar in elverktyet.** Ett verktyg eller en nyckel i en roterande komponent kan leda till skador.
- ▶ **Undvik en onormal kroppshållning. Se till att du står stadigt och håller balansen.** Då kan du lättare kontrollera elverktyet i oväntade situationer.
- ▶ **Bär lämpliga kläder. Bär inte löst hängande kläder eller smycken. Håll håret, kläderna och handskarna på avstånd från rörliga delar.** Löst hängande kläder, smycken och långt hår kan dras in av roterande delar.
- ▶ **När du använder elverktyg med anordningar för uppsugning och uppsamling av damm, bör du kontrollera att dessa anordningar är rätt monterade och används korrekt.** Används en dammsugare kan faror som orsakas av damm minskas.
- ▶ **Invagga dig inte i falsk säkerhet och strunta inte säkerhetsreglerna för elverktyg även om du har stor vana vid att arbeta med elverktyet.** Oförsiktig hantering kan leda till allvarliga skador inom bråkdelar av en sekund.

Användning och hantering av elverktyg

- ▶ **Överbelasta inte verktyget. Använd elverktyg som är avsedda för det aktuella arbetet.** Med ett lämpligt elverktyg kan du arbeta bättre och säkrare inom angivet effektområde.
- ▶ **Använd aldrig elverktyet om strömbrytaren är defekt.** Ett elverktyg som inte kan kopplas in eller ur är farligt och måste repareras.
- ▶ **Dra ut elkontakten ur uttaget och/eller ta i förekommande fall bort det löstagbara batteriet innan du gör inställningar, byter tillbehör eller lägger ifrån dig verktyget.** Denna skyddsåtgärd förhindrar att du eller någon annan råkar sätta igång elverktyet av misstag.
- ▶ **Förvara elverktyg oåtkomligt för barn. Verktyget får inte användas av personer som inte är vana eller inte har läst dessa anvisningar.** Elverktyg är farliga om de används av oerfarna personer.
- ▶ **Underhåll elverktygen och tillbehören noggrant. Kontrollera att rörliga komponenter fungerar felfritt och inte kärvar och att komponenter inte har brustit eller skadats så att elverktyet funktion påverkas negativt. Se till att skadade delar repareras innan verktyget används igen.** Många olyckor orsakas av dåligt skötta elverktyg.
- ▶ **Håll insatsverktygen skarpa och rena.** Omsorgsfullt skötta insatsverktyg med skarpa egg kommer inte så lätt i kläm och går lättare att styra.
- ▶ **Använd elverktyg, tillbehör, insatsverktyg osv. enligt dessa anvisningar. Ta hänsyn till arbetsvillkoren och arbetsmomenten.** Används elverktyet på icke ändamålsenligt sätt kan farliga situationer uppstå.
- ▶ **Se till att handtaget och greppytorna är torra, rena och fria från olja och fett.** Med hala handtag och gripytor går det inte att hantera och kontrollera elverktyet säkert i oväntade situationer.

Användning och hantering av batteriverktyg

- ▶ **Ladda endast batterierna i de laddare som tillverkaren har rekommenderat.** Brandrisk kan uppstå om en laddare som är avsedd för en viss typ av batterier används för andra batterityper.
- ▶ **Använd endast batterier som är avsedda för aktuellt elverktyg.** Används andra batterier finns det risk för kroppsskada och brand.



- ▶ **Håll gem, mynt, nycklar, spikar, skruvar och andra små metallföremål på avstånd från reservbatterier för att undvika kortslutning av kontakterna.** En kortslutning av batteriets kontakter kan leda till brännskador eller brand.
- ▶ **Om batteriet används på fel sätt kan vätska rinna ur batteriet. Undvik kontakt med vätskan. Vid oavsiktlig kontakt, skölj med vatten. Om vätska kommer i kontakt med ögonen, uppsök dessutom läkare.** Batterivätskan kan orsaka hudirritation eller brännskada.
- ▶ **Använd aldrig skadade eller egenhändigt modifierade batterier.** Skadade eller modifierade batterier kan bete sig oförutsägbart och orsaka brand, explosioner eller risk för skador.
- ▶ **Utsätt aldrig batterier för öppen eld eller för höga temperaturer.** Öppen eld eller temperaturer över 130 °C (265 °F) kan orsaka explosion.
- ▶ **Följ alla anvisningar för laddning och ladda aldrig batteriet eller batteriverktyget vid temperaturer som ligger utanför det intervall som anges i bruksanvisningen.** Felaktigt utförd laddning eller laddning vid temperaturer utanför det tillåtna intervallet kan förstöra batteriet och öka risken för brand.

Service

- ▶ **Låt endast kvalificerad fackpersonal reparera elverktyget och använd då endast originalreservdelar.** Detta garanterar att verktygets säkerhet upprätthålls.
- ▶ **Utför aldrig underhåll på skadade batterier.** Underhåll av batterier får endast utföras av tillverkaren eller av auktoriserade kundservicecenter.

2.2 Säkerhetsanvisningar för skruvdragare och slagskruvdragare

- ▶ **Håll elverktyget i det isolerade handtaget när du utför arbeten där du riskerar att stöta på dolda elledningar.** Vid kontakt med en spänningssatt ledning kan metalldelar på verktyget spänningssättas och ge dig en stöt.

2.3 Ytterligare säkerhetsföreskrifter för skruvdragaren

Personsäkerhet

- ▶ Använd verktyget bara om det är fullt funktionsdugligt.
- ▶ Manipulera eller ändra aldrig något på verktyget.
- ▶ Använd de extrahandtag som levereras tillsammans med verktyget. Tappar du kontrollen över verktyget kan det leda till skador.
- ▶ Håll alltid verktyget i handtagen med båda händerna. Håll alltid handtaget torrt och rent.
- ▶ Rör inte vid roterande delar – risk för personskada!
- ▶ Använd lämpliga skyddsglasögon, skyddshjälm, hörselskydd, skyddshandskar och ett lätt andningsskydd när du arbetar med verktyget.
- ▶ Använd skyddshandskar även vid byte av insatsverktyg. Det finns risk för skär- och brännskador vid beröring av nyss använda insatsverktyg.
- ▶ Använd skyddsglasögon. Splitter kan skada oskyddade kroppsdelar och ögon.
- ▶ Ta bort de dammpartiklar som har uppstått innan arbetet i riskklassen startas. Använd en byggdamm-sugare med en standardskyddsklassificering som motsvarar de lokala dammskyddsbestämmelserna. Damm från material med blyhaltig färg, vissa träslag, betong, tegel, sten som innehåller kvarts, mineraler och metall kan vara hälsovådliga.
- ▶ Se till att arbetsplatsen har god ventilation, och använd vid behov en andningsmask som är avsedd för damm av det aktuella slaget. Beröring eller inandning av damm kan orsaka allergiska reaktioner och/eller sjukdomar i andningsvägarna hos användaren eller hos personer som befinner sig i närheten. Vissa slags damm, till exempel från ek eller bok, anses vara cancerframkallande, särskilt i kombination med tillsatssämnen för behandling av trä (kromat, träskyddsmedel). Asbesthaltigt material får bara hanteras av särskilt utbildad personal.
- ▶ Gör pauser i arbetet och utför fingerövningar som ökar blodgenomströmningen i fingrarna. Vid långvarigt, ihållande arbete kan vibrationerna ge besvär i blodkärl och nerver i fingrarna, händerna och handlederna.

Elektrisk säkerhet

- ▶ Undersök om det finns dolda el-, gas- och vattenledningar inom arbetsområdet innan du påbörjar arbetet. Utanpåliggande metalldelar på verktyget kan orsaka elstötar om du oavsiktligt råkar skada en elledning.

Omsorgsfull hantering och användning av elverktyg

- ▶ Stäng genast av elverktyget om insticksverktyget blockeras. Elverktyget kan vridas i sidled.
- ▶ Vänta tills elverktyget stannat helt innan du lägger det ifrån dig.



2.4 Omsorgsfull hantering och användning av batterier

- ▶ Observera de särskilda föreskrifterna för transport, förvaring användning av litiumjonbatterier.
- ▶ Utsätt inte batterierna för höga temperaturer, direkt solljus eller eld.
- ▶ Batterier får inte tas isär, klämmas, hettas upp över 80° eller brännas.
- ▶ Använd eller ladda inte batterier som tagit emot slag, har fallit från över en meters höjd eller är skadade på något annat sätt. I sådana fall, kontakta **Hilti Service**.
- ▶ Om batteriet är så hett att du inte kan ta i det kan det vara defekt. Ställ produkten på en plats där inget riskerar att fatta eld och på betryggande avstånd från brännbart material, där du kan hålla den under uppsikt medan batteriet svalnar. I sådana fall, kontakta **Hilti Service**.

3 Beskrivning

3.1 Produktöversikt



3.2 Avsedd användning

Den produkt som beskrivs här är en handhållen batteridriven slagskruvdragare. Den används för att dra åt och lossa skruvförband, muttrar och gängade bultar i trä, metall, tegel och betong.

Slagskruvdragaren får endast användas till uppgifter där inget exakt åtdragningsmoment krävs. Annars finns det risk för överdragning och skador på skruven eller arbetsstycket.

- ▶ Använd endast **Hilti**-litiumjonbatterier av typ B14 (SID/SIW 14-A) eller B22 (SID/SIW 22-A) till produkten.
- ▶ Använd endast **Hilti** batteriladdare i C4/36-serien för dessa batterier.

3.3 Laddningsindikering

Li-Ion-batteriets laddningsstatus visas när du trycker lätt på en av spärrarna (bara så mycket att du känner att det tar emot).

Status	Betydelse
4 lysdioder lyser.	Laddningsstatus: 75 % till 100 %
3 lysdioder lyser.	Laddningsstatus: 50 % till 75 %
2 lysdioder lyser.	Laddningsstatus: 25 % till 50 %
1 lysdiod lyser.	Laddningsstatus: 10 % till 25 %
1 LED blinkar.	Laddningsstatus: < 10 %



i Det går inte att få reda på laddningsstatus när strömbrytaren är intryckt och i upp till fem sekunder efter det att strömbrytaren har släppts upp.

3.4 Leveransinnehåll

Bruksanvisning för slagskruvdragare.

i Av oss godkända reservdelar, förbrukningsmaterial och tillbehör till din produkt hittar du i närmaste **Hilti Store** eller på: www.hilti.group | USA: www.hilti.com

4 Slagskruvdragare

	SID 14-A	SIW 14-A
Märkspänning	14,4 V	14,4 V
Vikt enligt EPTA Procedure-01	1,6 kg	1,6 kg
Uppmätt tomgångsvarvtal	Läge I	0 varv/min ... 1 000 varv/min
	Läge II	0 varv/min ... 1 500 varv/min
	Läge III	0 varv/min ... 2 500 varv/min
Slagtal	≤ 3 100 bpm	≤ 3 400 bpm
Momentinställning	3 lägen	3 lägen
Storlek standardskruvar	M8 till M16	M8 till M16
Storlek höghållfasta skruvar	M6 till M12	M6 till M12
Chuck	1/4" insexfäste med säkringshylsa	1/2" utvändig fyrkant med kulspår eller 3/8" utvändig fyrkant med låsring
Omgivningstemperatur vid drift	-17 °C ... 60 °C	-17 °C ... 60 °C
Förvaringstemperatur	-20 °C ... 70 °C	-20 °C ... 70 °C

	SID 22-A	SIW 22-A
Märkspänning	21,6 V	21,6 V
Vikt enligt EPTA Procedure-01	2,1 kg	2,1 kg
Uppmätt tomgångsvarvtal	Läge I	0 varv/min ... 1 000 varv/min
	Läge II	0 varv/min ... 1 500 varv/min
	Läge III	0 varv/min ... 2 500 varv/min
Slagtal	≤ 3 450 bpm	≤ 3 500 bpm
Momentinställning	3 lägen	3 lägen
Storlek standardskruvar	M8 till M16	M8 till M16
Storlek höghållfasta skruvar	M6 till M12	M6 till M12
Chuck	1/4" insexfäste med säkringshylsa	1/2" utvändig fyrkant med kulspår eller 3/8" utvändig fyrkant med låsring
Omgivningstemperatur vid drift	-17 °C ... 60 °C	-17 °C ... 60 °C
Förvaringstemperatur	-20 °C ... 70 °C	-20 °C ... 70 °C



4.1 Bullerinformation och vibrationsvärden enligt EN 62841

De ljudtrycks- och vibrationsvärden som anges i anvisningarna har uppmätts med en standardiserad mätmetod och kan användas för att jämföra olika elverktyg med varandra. De kan också användas för att göra en preliminär uppskattning av exponeringarna.

De angivna värdena representerar elverktygets huvudsakliga användning. När elverktyget begagnas inom andra områden, med andra insatsverktyg eller med otillräckligt underhåll, kan mätning ge avvikande värden. Det innebär att exponeringen under den totala arbetstiden kan ökas betydligt.

För att uppskattningen av exponeringarna ska bli exakt bör man också räkna in de tider då verktyget är avstängt eller då det är påslaget men inte används. Det kan betydligt minska exponeringen under den totala arbetstiden.

Vidta även andra säkerhetsåtgärder för att skydda användaren mot effekterna av buller och vibrationer, exempelvis: underhåll av elverktyg och insatsverktyg, möjlighet att hålla händerna varma, välorganiserade arbetsförlopp.

Bullerinformation

	SID 14-A	SIW 14-A	SID 22-A	SIW 22-A
Ljudeffektnivå (L_{WA})	94 dB(A)	94 dB(A)	97 dB(A)	97 dB(A)
Osäkerhet ljudeffektnivå (K_{WA})	3 dB(A)	3 dB(A)	3 dB(A)	3 dB(A)
Ljudtrycksnivå (L_{pA})	83 dB(A)	83 dB(A)	86 dB(A)	86 dB(A)
Osäkerhet ljudtrycksnivå (K_{pA})	3 dB(A)	3 dB(A)	3 dB(A)	3 dB(A)

Sammanlagt vibrationsvärde

	SID 14-A	SIW 14-A	SID 22-A	SIW 22-A
Vibrationsemissionsvärde vid åtdragning av skruvar och muttrar med max. tillåten storlek (a_n)	7,5 m/s ²	7,5 m/s ²	11 m/s ²	11 m/s ²
Osäkerhet för åtdragning av skruvar och muttrar av maximal tillåten storlek	1,5 m/s ²	1,5 m/s ²	1,5 m/s ²	1,5 m/s ²

4.2 Ställa in åtdragningsmoment

Du ställer in åtdragningsmomentet med hjälp av omkopplaren för åtdragningsmoment.

Modell SID ...

SID 14-A
SID 22-A

		Modell	
		SID 14-A	SID 22-A
Vridmoment	Läge I	50 Nm	60 Nm
	Läge II	100 Nm	110 Nm
	Läge III	150 Nm	165 Nm

Modell SIW ...

SIW 14-A
SIW 22-A

		SIW 14-A	
		1/2" utvändig fyrkant med kulspar	3/8" utvändig fyrkant med låsring
Vridmoment	Läge I	80 Nm	65 Nm
	Läge II	120 Nm	115 Nm
	Läge III	185 Nm	160 Nm



		SIW 22-A	
		1/2" utvändig fyrkant med kulspärr	3/8" utvändig fyrkant med låsring
Vridmoment	Läge I	90 Nm	75 Nm
	Läge II	135 Nm	120 Nm
	Läge III	200 Nm	175 Nm

4.3 Batteri 14,4 V

Batteriets driftspänning	14,4 V
Omgivningstemperatur	-10 °C ... 60 °C
Förvaringstemperatur	-20 °C ... 40 °C

4.4 Batteri 21,6 V

Batteriets driftspänning	21,6 V
Omgivningstemperatur	-17 °C ... 60 °C
Förvaringstemperatur	-20 °C ... 40 °C

5 Förberedelser för arbete

FÖRSIKTIGHET

Risk för personskada till följd av oavsiktlig start!

- ▶ Kontrollera att produkten är avstängd innan du sätter i batteriet.
- ▶ Ta alltid bort batteriet innan du gör några inställningar på verktyget eller byter tillbehörsdelar.

Observera de säkerhets- och varningsanvisningar som du hittar i dokumentationen och på själva enheten.

5.1 Laddning av batteri

1. Läs batteriladdarens bruksanvisning innan du laddar batteriet.
2. Se till att batteriets och batteriladdarens sladdar är rena och torra.
3. Ladda batteriet i en godkänd batteriladdare.

5.2 Sätta i batteriet

FÖRSIKTIGHET

Risk för personskada på grund av kortslutning eller nedfallande batteri!

- ▶ Kontrollera innan du sätter in batteriet i produkten att både batteriets och produktens kontakter är fria från smuts och andra hinder.
- ▶ Säkerställ att batteriet alltid hakar i ordentligt.

1. Ladda batteriet helt innan det används första gången.
2. Sätt i batteriet i verktygshållaren så att du hör att det klickar fast.
3. Kontrollera att batteriet sitter stadigt.

5.3 Ta ur batteri

1. Tryck in batteriets spärrar.
2. Ta ut batteriet ur verktyget.

5.4 Sätt fast bälteshake (tillval)

VARNING

Risk för personskada Risk för att tappa verktyget.

- ▶ Om verktyget faller ner kan den skada dig och andra. Innan du startar ett arbete ska du kontrollera att bälteshaken är korrekt fastsatt.





Med bälteshaken kan du fästa verktyget i bältet så att det ligger mot kroppen. Du väljer själv om du vill sätta fast bälteshaken på höger eller vänster sida.

1. Ta ur batteriet. → Sidan 46
2. Stick in bälteshaken i därför avsedd öppning längst ner på skruvdragaren.
3. Fäst bälteshaken med de två skruvarna.

5.5 Montera insatsverktyg 3

SID 14-A
SID 22-A

1. Kontrollera att insticksänden på insatsverktyget är ren.
 - Rengör insticksänden vid behov.
2. Ställ omkopplaren för höger- och vänstervary i mittenläge eller ta ut batteriet ur verktyget.
3. Stick in insatsverktyget i chucken så att det går i lås.
4. Kontrollera att insatsverktyget sitter ordentligt fast och i rätt läge innan verktyget startas.

5.6 Montera insatsverktyg 4

SIW 14-A
SIW 22-A

1. Kontrollera att insticksänden på insatsverktyget är ren.
 - Rengör insticksänden vid behov.
2. Ställ omkopplaren för höger- och vänstervary i mittenläge eller ta ut batteriet ur verktyget.
3. Riakta in chuckens kulspärr mot hålet på sidan av insatsverktyget.
4. Tryck på insatsverktyget på chucken tills det går i lås.
5. Kontrollera att insatsverktyget sitter ordentligt fast och i rätt läge innan verktyget startas.

5.7 Montera insatsverktyg 5

SIW 22-A



FÖRSIKTIGHET

Risk för personskada på grund av fel insatsverktyg!

- Använd endast låsbara insatsverktyg.
- Använd aldrig slitna eller skadade insatsverktyg.

1. Ställ omkopplaren för höger- och vänstervary i mittenläge eller ta ut batteriet ur produkten.
2. Ta bort O-ringen från spåret i hylsan.
3. Dra ut låspinnen.
4. Sätt hylsan på verktygets drivfyrkant.



Kontrollera att låsringen passar in i drivfyrkanten och hylsan.

5. Sätt i låspinnen i hylsan.
6. Sätt på O-ringen på hylsan.
7. Kontrollera att insatsverktyget sitter ordentligt fast och i rätt läge innan verktyget startas.

6 Användning

Observera de säkerhets- och varningsanvisningar som du hittar i dokumentationen och på själva enheten.



6.1 Ställa in vridmoment

- ▶ Tryck på omkopplaren för åtdragningsmoment tills önskad åtdragningsmomentsnivå visas till vänster om omkopplaren för åtdragningsmoment.

SID 14-A
SID 22-A

Modell SID ... → Sidan 45

SIW 14-A
SIW 22-A

Modell SIW ... → Sidan 45

6.2 Ställa in rotationsriktning



En spärr förhindrar att omkoppling sker medan motorn går.
Strömbrytaren spärrad i mittläget (tillkopplingsspärr).

- ▶ Ställ in omkopplaren för höger- och vänstervarv på önskad rotationsriktning.

6.3 Tillkoppling

- ▶ Tryck in strömbrytaren.
 - ▶ Du reglerar varvtalet genom att trycka in strömbrytaren olika långt.

6.4 Skruvdragning



FÖRSIKTIGHET

Risk för personskada till följd av skadat arbetsstycke! Det finns risk för att skruvarna eller arbetsstycket skadas om vridmomentet är för högt. Detta kan leda till personskador.

- ▶ Kontrollera att skruvarna och arbetsstycket klarar det vridmoment som verktyget ger.

1. Ställ omkopplaren för höger- och vänstervarv i mittenläge eller ta ut batteriet ur verktyget.
2. Ställ in önskat åtdragningsmoment med omkopplaren för åtdragningsmoment. → Sidan 48

6.5 Frånkoppling

- ▶ Släpp strömbrytaren.

6.6 Demontera insatsverktyg

SID 14-A
SID 22-A



FÖRSIKTIGHET

Risk för personskada från insatsverktyg! Insatsverktyget kan vara hett och ha skarpa kanter.

- ▶ Använd skyddshandskar när du arbetar med verktyget och när du byter insatsverktyg.

1. Ställ omkopplaren för höger- och vänstervarv i mittenläge eller ta ut batteriet ur verktyget.
2. Dra chuckens ring framåt och håll fast i den.
3. Dra ut insatsverktyget ur chucken.
4. Släpp ringen på chucken.



6.7 Demontera insatsverktyg 9

SIW 14-A
SIW 22-A

FÖRSIKTIGHET

Risk för personskada från insatsverktyg! Insatsverktyget kan vara hett och ha skarpa kanter.

- ▶ Använd skyddshandskar när du arbetar med verktyget och när du byter insatsverktyg.

1. Ställ omkopplaren för höger- och vänstervarv i mittenläge eller ta ut batteriet ur verktyget.
2. Dra ut insatsverktyget ur chucken.

6.8 Demontera insatsverktyg 10

SIW 22-A

1. Ställ omkopplaren för höger- och vänstervarv i mittenläge eller ta ut batteriet ur produkten.
2. Ta bort O-ringen från spåret i hylsan.
3. Dra ut låspinnen.
4. Ta bort hylsan från verktygets drivfyrkant.
5. Sätt fast låspinnen.
6. Sätt dit O-ringen på hylsan.

7 Skötsel och underhåll

VARNING

Risk för personskada vid anslutet batteri !

- ▶ Ta alltid bort batteriet innan skötsel och underhåll utförs!

Verktygets skötsel

- Ta försiktigt bort smuts som fastnat på verktyget.
- Rengör ventilationsspringorna försiktigt med en torr borste.
- Rengör höljet med en lätt fuktad trasa. Använd inte rengöringsmedel med silikon, eftersom det kan skada plastdelarna.

Skötsel av litiumjonbatterier

- Håll batteriet rent och fritt från olja och fett.
- Rengör höljet med en lätt fuktad trasa. Använd inte rengöringsmedel med silikon, eftersom det kan skada plastdelarna.
- Se till att ingen fukt tränger in.

Underhåll

- Kontrollera regelbundet att inga synliga delar har skadats och att alla reglage fungerar som de ska.
- Använd inte produkten om den uppvisar skador eller funktionsstörningar. Skicka den direkt till **Hilti Service** för reparation.
- Efter att skötsel- och underhållsarbete utförts ska alla skyddsanordningar alltid monteras och kontrolleras.



Använd endast originalreservdelar och förbrukningsmaterial för säker drift. Godkända reservdelar, förbrukningsmaterial och tillbehör till din produkt från oss hittar du i närmaste **Hilti Store** eller på: www.hilti.group.

8 Transport och förvaring av batteridrivna verktyg

Transport

FÖRSIKTIGHET

Oavsiktlig start under transport. !

- ▶ Transportera alltid produkten utan insatta batterier.

- ▶ Ta bort batterierna.



- ▶ Transportera aldrig batterierna löst liggande.
- ▶ Kontrollera att verktyget och batterierna är oskadade innan de används efter längre transporter.

Förvaring

FÖRSIKTIGHET

Oavsiktlig skada på grund av trasiga eller läckande batterier. !

- ▶ Förvara alltid produkten utan insatta batterier.
-
- ▶ Förvara verktyget och batterierna så svalt och torrt som möjligt.
 - ▶ Förvara aldrig batterierna i direkt solsken, på värmeelement eller bakom glasrutor.
 - ▶ Förvara verktyget och batterierna oåtkomliga för barn och obehöriga personer.
 - ▶ Kontrollera att verktyget och batterierna är oskadade innan de används efter en längre tids förvaring.

9 Felsökning

Kontakta **Hilti Service** om det uppstår ett fel som inte finns med i den här tabellen eller som du inte lyckas åtgärda på egen hand.

9.1 Felsökning

Fel	Möjlig orsak	Lösning
Verktyget fungerar inte.	Batteriet har inte tryckts in hela vägen.	▶ Sätt i batteriet. → Sidan 46
	Batteriet är urladdat.	▶ Ladda batteriet. → Sidan 46
Strömbrytaren kan inte tryckas ner resp. är spärrad.	Omkopplaren för höger- och vänstervarv står i mittenläge.	▶ Ställ in omkopplaren för höger- och vänstervarv. → Sidan 48
Varvtalet sjunker plötsligt.	Batteriet är urladdat.	▶ Ladda batteriet. → Sidan 46
Batteriet laddas ur fortare än vanligt.	Mycket låg omgivningstemperatur.	▶ Värm långsamt upp batteriet till rumstemperatur.
Batteriet hakar inte i med ett hörbart dubbelklick.	Batteriets låsmekanism är smutsig.	▶ Rengör låsmekanismen och tryck i batteriet. Vänd dig till Hilti-service om problemet kvarstår.
Verktyget eller batteriet har överhettats.	Elektriskt fel.	▶ Stäng genast av verktyget, ta ur batteriet och syna det, låt det svalna och kontakta Hilti-service .
	Verktyget är överbelastat (användningsgränsen har överskridits).	▶ Välj ett verktyg som passar för uppgiften.

10 Avfallshantering

Hilti-produkter är till stor del tillverkade av återvinningsbara material. En förutsättning för återvinning är att materialen separeras på rätt sätt. I många länder kan du lämna in ditt uttjänta instrument så att **Hilti** tar hand om det. Hör efter med **Hilti**s kundtjänst eller din kontaktperson.

Avfallshantering av batterier

Bristfälligt avfallshantering av batterier kan orsaka hälsorisker på grund av läckande gaser eller vätskor.

- ▶ Skicka aldrig iväg skadade batterier!
- ▶ Täck anslutningarna med ett icke ledande material för att förhindra kortslutningar.
- ▶ Kassera batterier så att de inte kan hamna i händerna på barn.
- ▶ Kassera batteriet hos din **Hilti Store** eller vänd dig till närmaste återvinningscentral.



- ▶ Kasta inte elverktyg, elektronisk apparatur och batterier i hushållssoporna.

11 RoHS (direktiv om begränsning av användning av vissa farliga ämnen)

Använd länkarna nedan för att komma till tabellen över farliga ämnen: qr.hilti.com/r4923, qr.hilti.com/r4922, qr.hilti.com/r4927 och qr.hilti.com/r4926.



En l nk till RoHS-tabellen hittar du i slutet p  det h r dokumentet i form av en QR-kod.

12 Tillverkargaranti

- V nd dig till din lokala **Hilti**-representant om du har fr gor om garantivillkoren.

Original bruksanvisning

1 Informasjon om dokumentasjonen

1.1 Om denne dokumentasjonen

- Les denne dokumentasjonen f r du tar produktet i bruk. Dette er en forutsetning for sikkerhet under arbeidet og problemfri bruk.
- F lg sikkerhetshenvisningene og advarslene i denne dokumentasjonen og p  produktet.
- Oppbevar alltid bruksanvisningen p  produktet, og lever bruksanvisningen fra deg sammen med produktet hvis det overtas av andre personer.

1.2 Symbolforklaring

1.2.1 Farehenvisninger

Farehenvisninger advarer mot farer under h ndtering av produktet. F lgende signalord brukes:



FARE

FARE !

- For en umiddelbart truende fare som kan f re til alvorlige personskader eller d d.



ADVARSEL

ADVARSEL !

- Varsler en mulig fare som kan f re til alvorlige personskader eller d d.



FORSIKTIG

FORSIKTIG !

- Varsler om en mulig farlig situasjon som kan f re til lettere personskade eller skade p  utstyr og annen eiendom.

1.2.2 Symboler i dokumentasjonen

F lgende symboler brukes i denne dokumentasjonen:



Les bruksanvisningen f r bruk



Anvisninger om bruk og annen nyttig informasjon



H ndtering av resirkulerbare materialer



Ikke kast elektriske apparater eller batterier i husholdningsavfallet

1.2.3 Symboler i illustrasjoner

F lgende symboler brukes i illustrasjonene:



Disse tallene henviser til illustrasjonen foran i denne bruksanvisningen



Nummereringen angir rekkef lgen for arbeidstrinnene p  bildet og kan avvike fra arbeidstrinnene i teksten



Posisjonsnumrene brukes i illustrasjonen **Oversikt** og henviser til numrene p  teksten i avsnittet **Produktoversikt**





Dette symbolet betyr at håndtering av produktet krever stor grad av oppmerksomhet.

1.3 Produktavhengige symboler

1.3.1 Symboler på produktet

Følgende symboler kan brukes på produktet:

	Boring uten slag
	Slagboring
/min	Omdreining per minutt
n_0	Nominelt tomgangsturtall
	Likestrøm
Li-Ion	Li-ion-batteri
	Brukt Hilti Li-Ion-batteriserie. Følg anvisningene i kapitlet Forskriftsmessig bruk .
	Maskinen støtter NFC-teknologi som er kompatibel med iOS- og Android-plattformer.
	Bruk aldri batteriet som slagverktøy.
	Ikke mist ned batteriet. Ikke bruk et batteri som har vært utsatt for støt eller er skadet på annen måte.

1.4 Produktinformasjon

-produkter er laget for profesjonell bruk og må kun brukes, vedlikeholdes og repareres av kyndig personale. Dette personalet må informeres om eventuelle farer som kan oppstå. Produktet og tilleggsutstyret kan utgjøre en fare hvis det betjenes av ukvalifisert personale eller det benyttes feil.

Typebetegnelse og serienummer står på typeskiltet.

- Skriv inn serienummeret i tabellen nedenfor. Du trenger produktspesifikasjonene ved henvendelser til Hiltis representant eller servicesenter.

Produktspesifikasjoner

Batteridrevet skrumaskin	SID 14-A, SID 22-A
Batteridrevet slagskrumaskin	SIW 14-A, SIW 22-A
Generasjon:	01
Serienummer:	

1.5 Samsvarserklæring

Vi erklærer herved at produktet som er beskrevet her, er i samsvar med gjeldende normer og direktiver. Du finner et bilde av samsvarserklæringen på slutten av denne dokumentasjonen.

Den tekniske dokumentasjonen er lagret her:

Hilti Entwicklungsgesellschaft mbH | Zulassung Geräte | Hiltistraße 6 | 86916 Kaufering, DE

2 Sikkerhet

2.1 Generelle sikkerhetsregler for elektroverktøy

⚠ ADVARSEL Les alle sikkerhetsanvisninger, instruksjer, illustrasjoner og tekniske data som elektroverktøyet er utstyrt med. Manglende overholdelse av anvisningene nedenfor kan medføre elektrisk støt, brann og/eller alvorlige personskader.

Overhold alle sikkerhetsanvisninger og instruksjoner i hele bruksperioden.



Begrepet "elektroverktøy" som er brukt i sikkerhetsanvisningene, viser til nettdrevne elektroverktøy (med nettkabel) eller til batteridrevne elektroverktøy (uten nettkabel).

Sikkerhet på arbeidsplassen

- ▶ **Hold arbeidsområdet rent og godt opplyst.** Rotete eller dårlig belyste arbeidsområder kan føre til ulykker.
- ▶ **Bruk ikke elektroverktøyet i eksplosjonsfarlige omgivelser hvor det befinner seg brennbare flytende stoffer, gasser eller støv.** Elektroverktøy lager gnister som kan antenne støv eller damp.
- ▶ **Hold barn og andre personer på sikker avstand mens elektroverktøyet brukes.** Hvis du blir forstyrret under arbeidet, kan du miste kontrollen over verktøyet.

Elektrisk sikkerhet

- ▶ **Elektroverktøyets støpsel må passe i stikkkontakten. Støpselet må ikke forandres på noen som helst måte. Bruk ikke adapterkontakt på jordete elektroverktøy.** Uendrede støpsler og egnede stikkontakter minsker risikoen for elektrisk støt.
- ▶ **Unngå kroppskontakt med jordete overflater som rør, radiatorer, komfyrer eller kjøleskap.** Risikoen for elektriske støt er høyere når kroppen er jordet.
- ▶ **Hold elektroverktøyet unna regn og fuktighet.** Risikoen for elektrisk støt øker ved inntrengning av vann i et elektroverktøy.
- ▶ **Bruk ikke ledningen til å bære elektroverktøyet, henge det opp eller til å dra støpselet ut av stikkkontakten. Hold ledningen unna varme, olje, skarpe kanter og deler som beveger seg.** Skadde eller sammenviklede ledninger øker risikoen for elektriske støt.
- ▶ **Bruk kun skjøteledninger som også er godkjent for utendørs bruk når du arbeider med et elektroverktøy utendørs.** Bruk av skjøteledning som er egnet til utendørs bruk, minsker risikoen for elektrisk støt.
- ▶ **Må elektroverktøyet brukes i fuktige omgivelser, er det nødvendig å bruke en jordfeilbryter.** Bruk av en jordfeilbryter reduserer risikoen for elektrisk støt.

Personsikkerhet

- ▶ **Vær oppmerksom, pass på hva du gjør, og gå fornuftig fram under arbeidet med et elektroverktøy. Ikke bruk elektroverktøy når du er trøtt eller påvirket narkotika, alkohol eller medikamenter.** Et øyeblikks uoppmerksomhet ved bruk av elektroverktøyet kan være nok til å forårsake alvorlige personskader.
- ▶ **Bruk alltid personlig verneutstyr og vernebriller.** Bruk av personlig verneutstyr som støvmaske, sklisikre vernesko, hjelm eller hørselsvern – avhengig av type og bruk av elektroverktøyet – reduserer risikoen for skader.
- ▶ **Unngå utilsiktet start. Forsikre deg om at elektroverktøyet er slått av før du setter i stikkkontakten eller batteriet og før du løfter eller flytter elektroverktøyet.** Hvis du holder fingeren på bryteren når du bærer elektroverktøyet, eller kobler elektroverktøyet til strøm i innkoblet tilstand, kan dette føre til uhell.
- ▶ **Fjern justeringsverktøy og skrunøkkel før du slår på elektroverktøyet.** Et verktøy eller en nøkkel som befinner seg i en roterende maskindel, kan føre til skader.
- ▶ **Unngå uhensiktsmessige arbeidsposisjoner. Sørg for å stå stødig og i balanse.** Dermed kan du kontrollere elektroverktøyet bedre i uventede situasjoner.
- ▶ **Bruk egnede klær. Ikke bruk vide klær eller smykker. Hold hår, tøy og hansker unna deler som beveger seg.** Løstsittende tøy, smykker eller langt hår kan komme inn i deler som beveger seg.
- ▶ **Hvis det er montert støvavsugs- og oppsamlingsinnretninger, må det kontrolleres at disse er koblet til og blir brukt på riktig måte.** Bruk av støvavsug kan redusere faremomentene i forbindelse med støv.
- ▶ **Ikke føl deg for trygg og ikke bryt sikkerhetsreglene for elektroverktøy, heller ikke når du etter lang tids bruk er blitt fortrolig med elektroverktøyet.** Et øyeblikks uaktsomhet kan føre til alvorlige personskader.

Bruk og behandling av elektroverktøyet

- ▶ **Ikke overbelast verktøyet. Bruk et elektroverktøy som er beregnet til den type arbeid du vil utføre.** Med et passende elektroverktøy arbeider du bedre og sikrere i det angitte effektområdet.
- ▶ **Ikke bruk elektroverktøy med defekt bryter.** Et elektroverktøy som ikke lenger kan slås av eller på, er farlig og må repareres.
- ▶ **Dra ut støpselet fra stikkkontakten og/eller ta ut et uttakbart batteri før du foretar maskininnstillinger, bytter tilleggsutstyr eller legger bort verktøyet.** Disse tiltakene forhindrer utilsiktet start av elektroverktøyet.
- ▶ **Oppbevar elektroverktøy som ikke brukes, utenfor barns rekkevidde. La ikke personer som ikke er fortrolige med verktøyet eller ikke har lest disse instruksjonene, bruke verktøyet.** Elektroverktøy er farlige når de brukes av uerfarne personer.



- ▶ **Sørg for grundig stell og vedlikehold av elektroverktøyet med tilbehør. Kontroller at bevegelige deler på elektroverktøyet fungerer feilfritt og ikke klemmes fast, og at ingen deler er brukt eller skadet, slik at dette innvirker på elektroverktøyet funksjon. La skadde deler repareres før elektroverktøyet brukes.** Mange ulykker er et resultat av dårlig vedlikeholdte elektroverktøy.
- ▶ **Hold skjæreverktøy skarpe og rene.** Godt vedlikeholdte skjæreverktøy med skarpe skjærekanter blir sjeldnere fastklemt og er lettere å styre.
- ▶ **Bruk elektroverktøy, tilbehør, arbeidsverktøy osv. i overensstemmelse med denne anvisningen. Ta hensyn til arbeidsforholdene og arbeidet som skal utføres.** Bruk av elektroverktøy til andre formål enn det som er angitt, kan føre til farlige situasjoner.
- ▶ **Hold håndtak og gripeflater tørre, rene og frie for olje og fett.** Glatte håndtak og gripeflater gir ikke sikker betjening og kontroll av elektroverktøyet i uforutsette situasjoner.

Bruk og behandling av det batteridrevne elektroverktøyet

- ▶ **Bruk kun ladere som er anbefalt av produsenten når du skal lade batteriene.** Det oppstår brannfare når det brukes andre batterier i en lader enn dem laderen er egnet for.
- ▶ **Bruk bare batterier som er beregnet for de forskjellige elektroverktøyene.** Bruk av andre batterier kan medføre skader og brannfare.
- ▶ **Unngå å oppbevare ubrukte batterier i nærheten av binders, mynter, nøkler, nagler, skruer eller andre små metallgjenstander som kan forårsake kortslutning av kontakten.** En kortslutning mellom batterikontaktene kan føre til forbrenninger eller brann.
- ▶ **Ved feil bruk kan væske lekke fra batteriet. Unngå kontakt med denne væsken. Ved tilfeldig kontakt må det skylles med vann. Hvis det kommer væske i øynene, må du i tillegg oppsøke lege.** Batterivæske som renner ut, kan føre til irritasjoner på huden eller forbrenninger.
- ▶ **Ikke bruk batterier som er skadde eller modifiserte.** Skadde eller modifiserte batterier kan oppføre seg uforutsigbart og forårsake brann, eksplosjon eller personskade.
- ▶ **Ikke utsett batteriet for åpen ild eller høye temperaturer.** Ild eller temperaturer over 130 °C (265 °F) kan forårsake eksplosjon.
- ▶ **Følg alle anvisningene for lading, og lad aldri batteriet eller det batteridrevne verktøyet utenfor temperaturområdet som er angitt i bruksanvisningen.** Feil lading eller lading utenfor det tillatte temperaturområdet kan ødelegge batteriet og øke brannfaren.

Service

- ▶ **Elektroverktøyet må kun repareres av kvalifisert fagpersonale og kun med originale reservedeler.** Slik opprettholdes maskinens sikkerhet.
- ▶ **Vedlikehold ikke skadde batterier.** Alt vedlikehold på batterier skal utføres av produsenten eller et godkjent serviceverksted.

2.2 Sikkerhetsanvisninger for skrumaskiner og slagskrumaskiner

- ▶ **Hold elektroverktøyet i de isolerte håndtakene når du utfører arbeid der skruen kan komme i kontakt med skjulte strømledninger.** Hvis skruen kommer i kontakt med en spenningsførende ledning, kan det også sette elektroverktøyet metalldele under spenning og føre til elektrisk støt.

2.3 Ekstra sikkerhetsanvisninger skrumaskin

Personersikkerhet

- ▶ Bruk produktet bare i teknisk feilfri stand.
- ▶ Ikke foreta modifiseringer eller endringer på maskinen.
- ▶ Bruk håndtakene som leveres med maskinen. Tap av kontroll kan føre til skader.
- ▶ Hold alltid maskinen fast med begge hendene i de to håndtakene. Hold håndtakene tørre og rene.
- ▶ Unngå å berøre de roterende delene. Fare for personskader!
- ▶ Ved bruk av maskinen skal det alltid brukes egnede vernehjelm, hørselsvern, vernehansker og en lett ansiktsmaske.
- ▶ Bruk vernehansker også ved skifte av verktøy. Berøring av innsatsverktøyet kan føre til kuttskader og forbrenninger.
- ▶ Bruk øyevern. Splintret materiale kan skade kroppen og øynene.
- ▶ Før arbeidet påbegynnes, må du bringe på det rene hvilken fareklasse støvmaterialet som oppstår, tilhører. Bruk en anleggsstøvsuger med offisiell beskyttelsesklassifisering sammen med maskinen. Maskinen må oppfylle lokale støvbeskyttelseskra. Støv fra materialer som blyholdig maling, enkelte tresorter, betong/mur/stein som inneholder kvarts, mineraler og metaller kan være helseskadelig.
- ▶ Sørg for god ventilasjon på arbeidsplassen, og bruk eventuelt åndedrettsvern tilpasset den aktuelle typen støv. Berøring eller innånding av slike typer støv kan fremkalle allergiske reaksjoner og/eller



luftveissykdommer hos brukeren og andre personer som oppholder seg i nærheten. Bestemte typer støv som eikestøv eller bøkstøv regnes som kreftfremkallende, særlig i forbindelse med stoffer for trebehandling (kromat, trepleiemidler). Asbestholdige materialer skal kun håndteres av kvalifisert personell.

- ▶ Ta pauser i arbeidet og gjør øvelser for å sikre bedre blodsirkulasjon i fingrene. Ved langvarig arbeid kan det oppstå skader på blodkar eller nervesystemet i fingrer, hender eller håndledd.

Elektrisk sikkerhet

- ▶ Kontroller før arbeidet påbegynnes at det ikke finnes skjulte strømledninger, gass- eller vannrør i arbeidsområdet. Utvendige metalldeleer på maskinen kan forårsake elektrisk støt hvis du utilsiktet skulle skade en strømledning.

Forsiktig behandling og bruk av elektroverktøy

- ▶ Slå elektroverktøyet av straks hvis verktøyet setter seg fast. Maskinen kan gli ut til siden.
- ▶ Vent til elektroverktøyet har stanset helt før du legger det fra deg.

2.4 Aktsom håndtering og bruk av batterier

- ▶ Ta hensyn til spesielle retningslinjer for transport, lagring og bruk av Li-Ion-batterier.
- ▶ Hold batteriene unna høye temperaturer, direkte solskinn og åpen ild.
- ▶ Batteriene må ikke tas fra hverandre, klemmes, varmes opp over 80 °C eller brennes.
- ▶ Ikke bruk eller lad opp batterier som har fått et støt, har falt ned over en meter eller er skadet på annen måte. Kontakt i slike tilfeller alltid **Hilti service**.
- ▶ Hvis batteriet er for varmt til å ta i, kan det være defekt. Plasser produktet på et ikke-brennbar sted med tilstrekkelig avstand fra brennbare materialer, der det kan observeres. La det avkjøles. Kontakt i slike tilfeller alltid **Hilti service**.

3 Beskrivelse

3.1 Produktoversikt



- ① Innvendig sekskant (SID)
- ② Belysning
- ③ Bryter for venstre-/høyregang med innkoblingssperre
- ④ Kontrollbryter (med elektronisk turtallstyring)
- ⑤ Utvendig firkant (SIW)
- ⑥ Dreiemomentomkobling
- ⑦ Beltekrok (ekstrautstyr)
- ⑧ Batterinivåindikator
- ⑨ Låseknapper (batteri B22/...)
- ⑩ Låseknapp (batteri B14/...)

3.2 Forskriftsmessig bruk

Det beskrevne produktet er en håndholdt, batteridrevet slagskrumaskin. Den er beregnet for tiltrekking og løsing av skruerforbindelser, mutre og bolter med gjenger i tre, metall, mur og betong.

Slagskrumaskinen skal bare brukes til bruksområder som ikke krever nøyaktig/spesifisert dreiemoment. Ellers er det fare for hard tiltrekking, skade på skruen eller arbeidsemnet.

- ▶ Til dette produktet må det bare brukes **Hilti** Li-Ion-batterier i serien B14 (SID/SIW 14-A) eller B22 (SID/SIW 22-A).
- ▶ Bruk bare **Hilti**-laderne i C4/36-serien til disse batteriene.



3.3 Ladenivåindikator

Ladenivået på Li-Ion-batteriet vises når du trykker lett på låseknappen/en av låseknappene (maksimalt til merkbart motstand).

Tilstand	Betydning
4 LED-er lyser.	Ladenivå: 75 % til 100 %
3 LED-er lyser.	Ladenivå: 50 % til 75 %
2 LED-er lyser.	Ladenivå: 25 % til 50 %
1 LED lyser.	Ladenivå: 10 % til 25 %
1 LED blinker.	Ladenivå: < 10 %

Når du trykker på kontrollbryteren og inntil 5 sekunder etter at du har sluppet kontrollbryteren, er det ikke mulig å sjekke ladenivået.

3.4 Dette følger med:

slagskrumaskin, bruksanvisning.

Reservedeler, forbruksmaterialer og tilbehør til produktet, som er godkjent av oss, finner du hos **Hilti Store** eller under: www.hilti.group | USA: www.hilti.com

4 Slagskrumaskin

		SID 14-A	SIW 14-A
Merkespenning		14,4 V	14,4 V
Vekt iht. EPTA Procedure-01		1,6 kg	1,6 kg
Nominelt omdreiningstall på tomgang	Stilling I	0 o/min ... 1 000 o/min	0 o/min ... 1 000 o/min
	Stilling II	0 o/min ... 1 500 o/min	0 o/min ... 1 500 o/min
	Stilling III	0 o/min ... 2 500 o/min	0 o/min ... 2 300 o/min
Slagtall		≤ 3 100/min	≤ 3 400/min
Dreiemomentinnstilling		3 trinn	3 trinn
Størrelse standardskruer		M8 til M16	M8 til M16
Størrelse høyfaste skruer		M6 til M12	M6 til M12
Chuck		$\frac{1}{4}$ " innvendig sekskant med sikkerhetsmansjett	$\frac{1}{2}$ " utvendig firkant med halvkule eller $\frac{3}{8}$ " utvendig firkant med sikringsring
Omgivelsestemperatur under drift		-17 °C ... 60 °C	-17 °C ... 60 °C
Lagringstemperatur		-20 °C ... 70 °C	-20 °C ... 70 °C

		SID 22-A	SIW 22-A
Merkespenning		21,6 V	21,6 V
Vekt iht. EPTA Procedure-01		2,1 kg	2,1 kg
Nominelt omdreiningstall på tomgang	Stilling I	0 o/min ... 1 000 o/min	0 o/min ... 1 000 o/min
	Stilling II	0 o/min ... 1 500 o/min	0 o/min ... 1 500 o/min
	Stilling III	0 o/min ... 2 500 o/min	0 o/min ... 2 300 o/min
Slagtall		≤ 3 450/min	≤ 3 500/min
Dreiemomentinnstilling		3 trinn	3 trinn
Størrelse standardskruer		M8 til M16	M8 til M16
Størrelse høyfaste skruer		M6 til M12	M6 til M12
Chuck		$\frac{1}{4}$ " innvendig sekskant med sikkerhetsmansjett	$\frac{1}{2}$ " utvendig firkant med halvkule eller $\frac{3}{8}$ " utvendig firkant med sikringsring



	SID 22-A	SIW 22-A
Omgivelsestemperatur under drift	-17 °C ... 60 °C	-17 °C ... 60 °C
Lagringstemperatur	-20 °C ... 70 °C	-20 °C ... 70 °C

4.1 Støyinformasjon og vibrasjonsverdier iht. EN 62841

Lydtrykk- og vibrasjonsverdiene som er angitt i denne bruksanvisningen, er målt i samsvar med en normert målemetode og kan brukes til sammenligning av elektroverktøy. De egner seg også til en foreløpig vurdering av eksponeringene.

De angitte dataene representerer de viktigste bruksområdene for elektroverktøyet. Men hvis elektroverktøyet brukes til andre formål, med avvikende innsatsverktøy eller med utilstrekkelig vedlikehold, kan dataene avvike. Dette kan øke eksponeringene betraktelig gjennom hele arbeidsperioden.

For å få en nøyaktig vurdering av eksponeringene må man også ta hensyn til tidsrommene da maskinen er slått av eller er i gang, men ikke i drift. Dette kan redusere eksponeringene betraktelig gjennom hele arbeidsperioden.

Fastsett ekstra sikkerhetstiltak for å beskytte operatøren mot effekten av støy og/eller vibrasjoner, for eksempel: Vedlikehold av elektroverktøy og innsatsverktøy, holde hendene varme, organisering av arbeidsprosesser.

Støyinformasjon

	SID 14-A	SIW 14-A	SID 22-A	SIW 22-A
Lydeffektnivå (L_{WA})	94 dB(A)	94 dB(A)	97 dB(A)	97 dB(A)
Usikkerhet lydeffektnivå (K_{WA})	3 dB(A)	3 dB(A)	3 dB(A)	3 dB(A)
Avgitt lydtrykk (L_{pA})	83 dB(A)	83 dB(A)	86 dB(A)	86 dB(A)
Usikkerhet lydtrykknivå (K_{pA})	3 dB(A)	3 dB(A)	3 dB(A)	3 dB(A)

Totale vibrasjonsverdier

	SID 14-A	SIW 14-A	SID 22-A	SIW 22-A
Vibrasjonsutslippsverdi Tiltrekking av skruer og mutre med maksimal tillatt størrelse (a_v)	7,5 m/s ²	7,5 m/s ²	11 m/s ²	11 m/s ²
Usikkerhet Tiltrekking av skruer og mutre med maksimal tillatt størrelse	1,5 m/s ²	1,5 m/s ²	1,5 m/s ²	1,5 m/s ²

4.2 Dreiemomentinnstilling

Dreiemomentet velges via stillingen til dreiemomentomkoblingen.

Modell SID ...

SID 14-A
SID 22-A

		Modell	
		SID 14-A	SID 22-A
Dreiemoment	Stilling I	50 Nm	60 Nm
	Stilling II	100 Nm	110 Nm
	Stilling III	150 Nm	165 Nm

Modell SIW ...

SIW 14-A
SIW 22-A

		SIW 14-A	
		1/2" utvendig firkant med halvkule	3/8" utvendig firkant med skringsring
Dreiemoment	Stilling I	80 Nm	65 Nm
	Stilling II	120 Nm	115 Nm
	Stilling III	185 Nm	160 Nm



		SIW 22-A	
		1/2" utvendig firkant med halvkule	3/8" utvendig firkant med skringsring
Dreiemoment	Stilling I	90 Nm	75 Nm
	Stilling II	135 Nm	120 Nm
	Stilling III	200 Nm	175 Nm

4.3 Batteri 14,4 V

Batteriets driftsspennning	14,4 V
Omgivelsestemperatur	-10 °C ... 60 °C
Lagringstemperatur	-20 °C ... 40 °C

4.4 Batteri 21,6 V

Batteriets driftsspennning	21,6 V
Omgivelsestemperatur	-17 °C ... 60 °C
Lagringstemperatur	-20 °C ... 40 °C

5 Klargjøring til arbeidet

FORSIKTIG

Fare for personskader på grunn av utilsiktet start!

- ▶ Før batteriet settes i, må det kontrolleres at det tilhørende produktet er slått av.
- ▶ Fjern batteriet før du foretar maskininnstillinger eller skifter tilbehørsdeler.

Følg sikkerhetshenvisningene og advarslene i denne dokumentasjonen og på produktet.

5.1 Lade batteriet

1. Les bruksanvisningen for laderen før lading.
2. Kontaktene på batteriet og laderen må være rene og tørre.
3. Lad opp batteriet i en godkjent lader.

5.2 Sette i batteri

FORSIKTIG

Fare for personskader på grunn av kortslutning eller ved at batteriet faller ned!

- ▶ Forsikre deg om at det ikke er fremmedlegemer ved kontaktene på batteriet og kontaktene på produktet før du setter batteriet inn i maskinen.
- ▶ Kontroller at batteriet alltid går riktig i inngrep.

1. Lad batteriet helt opp før første gangs bruk.
2. Sett batteriet inn i holderen på maskinen til det klikker hørbart på plass.
3. Kontroller at batteriet sitter godt fast.

5.3 Ta ut batteriet

1. Trykk på låseknappene til batteriet.
2. Trekk batteriet ut av maskinen.

5.4 Montere beltekrok (ekstrautstyr)

ADVARSEL

Fare for personskader Fare ved at maskinen kan falle ned.

- ▶ Hvis maskinen faller ned, kan dette være farlig for deg selv og andre. Kontroller før arbeidet starter at beltekroken er sikkert festet.





Beltekroken kan brukes til å feste maskinen inntil kroppen. Beltekroken kan monteres både på høyre og venstre side.

1. Ta ut batteriet. → Side 58
2. Fest beltekroken i den aktuelle åpningen skrumaskinfoten.
3. Fest beltekroken med to skruer.

5.5 Montere innsatsverktøy 3

SID 14-A
SID 22-A

1. Kontroller at innstikkenden på innsatsverktøyet er ren.
 - ▶ Rengjør eventuelt innstikkenden.
2. Sett bryteren for høyre-/venstregang i midtstilling eller koble batteriet fra maskinen.
3. Sett innsatsverktøyet helt inn i chucken slik at det klikker på plass.
4. Kontroller at innsatsverktøyet sitter fast og er riktig montert før maskinen tas i bruk.

5.6 Montere innsatsverktøy 4

SIW 14-A
SIW 22-A

1. Kontroller at innstikkenden på innsatsverktøyet er ren.
 - ▶ Rengjør eventuelt innstikkenden.
2. Sett bryteren for høyre-/venstregang i midtstilling eller koble batteriet fra maskinen.
3. Juster sidehullet i innsatsverktøyet med halvkulen på chucken.
4. Trykk innsatsverktøyet inn i chucken til det klikker på plass.
5. Kontroller at innsatsverktøyet sitter fast og er riktig montert før maskinen tas i bruk.

5.7 Montere innsatsverktøy 5

SIW 22-A

FORSIKTIG

Fare for personskader på grunn av feil verktøy!

- ▶ Bruk bare verktøy med låsemulighet.
- ▶ Ikke bruk slitte eller skadde verktøy.

1. Sett bryteren for høyre-/venstregang i midtstilling eller koble batteriet fra maskinen.
2. Fjern O-ringen fra sporet på bitsipen.
3. Trekk ut låsebolten.
4. Sett bitsipen på maskinens firkantdrev.



Pass på at hullene på chucken stemmer med sikringsringen på firkantdrevet og bitsipen.

5. Sett låsebolten inn i bitsipen.
6. Sett O-ringen på bitsipen.
7. Kontroller at innsatsverktøyet sitter fast og er riktig montert før maskinen tas i bruk.

6 Betjening

Følg sikkerhetsanvisningene og advarslene i denne dokumentasjonen og på produktet.



6.1 Stille inn dreiemoment

- ▶ Trykk på dreiemomentvalg Bryteren helt til ønsket trinn vises ved siden av dreiemomentvalg Bryteren.

SID 14-A

SID 22-A


Modell SID ... → Side 57

SIW 14-A

SIW 22-A

Modell SIW ... → Side 57

6.2 Stille inn høyre- eller venstregang

-  En sperre hindrer at motoren kobles om når den er i drift.
I midtstilling er kontroll Bryteren blokkert (innkoblingssperre).

- ▶ Still inn Bryteren for høyre-/venstregang i ønsket dreieretning.

6.3 Slå på

- ▶ Trykk på kontroll Bryteren.
 - ▶ Turtallet reguleres ved hjelp av inntykkingsdybden.

6.4 Skruing

FORSIKTIG

Fare for personskade på grunn av skadde emner! Skruer eller emne kan bli skadet ved for høyt dreiemoment. Dette kan føre til personskader.

- ▶ Kontroller at skruene og emnet er egnet til dreiemomentet som utvikles av maskinen.

1. Sett Bryteren for høyre-/venstregang i midtstilling eller koble batteriet fra maskinen.
2. Still inn dreiemomentvalg Bryteren på ønsket dreiemoment. → Side 60

6.5 Slå av

- ▶ Slipp kontroll Bryteren.

6.6 Demontere innsatsverktøy

SID 14-A

SID 22-A

FORSIKTIG

Fare for personskader på grunn av innsatsverktøy! Innsatsverktøyet kan være varmt eller ha skarpe kanter.

- ▶ Bruk vernehansker når du benytter maskinen og ved skifte av innsatsverktøy.

1. Sett Bryteren for høyre-/venstregang i midtstilling eller koble batteriet fra maskinen.
2. Trekk ringen på chucken forover og hold den fast.
3. Trekk innsatsverktøyet ut av chucken.
4. Slipp ringen på chucken.



6.7 Demontere innsatsverktøy 9

SIW 14-A
SIW 22-A

FORSIKTIG

Fare for personskader på grunn av innsatsverktøy! Innsatsverktøyet kan være varmt eller ha skarpe kanter.

- ▶ Bruk vernehansker når du benytter maskinen og ved skifte av innsatsverktøy.

1. Sett bryteren for høyre-/venstregang i midtstilling eller koble batteriet fra maskinen.
2. Trekk innsatsverktøyet ut av chucken.

6.8 Demontere innsatsverktøy 10

SIW 22-A

1. Sett bryteren for høyre-/venstregang i midtstilling eller koble batteriet fra maskinen.
2. Fjern O-ringen fra sporet på bitspisen.
3. Trekk ut låsebolten.
4. Fjern bitspisen fra maskinens firkantdrev.
5. Monter låsebolten.
6. Monter O-ringen som sikring på bitspisen.

7 Service og vedlikehold

ADVARSEL

Fare for personskader på grunn av isatt batteri !

- ▶ Ta alltid ut batteriet før stell og vedlikeholdsarbeid!

Stell av maskinen

- Fjern gjenstridig smuss forsiktig.
- Rengjør ventilasjonsåpningene forsiktig med en tørr børste.
- Rengjør huset bare med en lett fuktet klut. Ikke bruk silikonholdige pleiemiddel, da dette kan angripe plastdelene.

Stell av Li-Ion-batterier

- Hold batteriet rent og fritt for olje og fett.
- Rengjør huset bare med en lett fuktet klut. Ikke bruk silikonholdige pleiemiddel, da dette kan angripe plastdelene.
- Unngå inntrenging av fuktighet.

Vedlikehold

- Kontroller alle synlige deler regelmessig mht. skade og alle betjeningselementene mht. feilfri funksjon.
- Ved skader og/eller funksjonsfeil må produktet ikke brukes. Få maskinen reparert av **Hilti** service snarest mulig.
- Etter stell- og vedlikeholdsarbeid må alle beskyttelsesinnretninger monteres, og det må foretas funksjonskontroll av dem.



Av hensyn til sikkerheten må du bare bruke originale reservedeler og forbruksmaterialer. Reservedeler, forbruksmaterialer og tilbehør til produktet, som er godkjent av oss, finner du hos **Hilti Store** eller under: www.hilti.group.

8 Transport og lagring av batterier

Transport

FORSIKTIG

Utilsiktet start under transport !

- ▶ Transporter alltid produktene dine uten batterier!
- ▶ Ta ut batteriene.



2072653

Norsk

61

- ▶ Ikke transporter batterier upakket.
- ▶ Etter en lengre transport må maskin og batterier kontrolleres med hensyn til skade før bruk.

Lagring

FORSIKTIG

Utsikket skade på grunn av defekte batterier eller lekkasje fra batterier !

- ▶ Oppbevar alltid produktene dine uten batterier!
-
- ▶ Oppbevar maskin og batterier mest mulig kaldt og tørt.
 - ▶ Batteriene må aldri lagres i solen, på en radiator eller bak glassruter.
 - ▶ Oppbevar maskin og batterier utenfor barns og uvedkommes rekkevidde.
 - ▶ Etter lengre tids oppbevaring må maskin og batterier kontrolleres med hensyn til skade før bruk.

9 Feilsøking

Ved feil som ikke står i denne tabellen eller som du selv ikke kan rette opp, må du kontakte **Hilti Service**.

9.1 Feilsøking

Feil	Mulig årsak	Løsning
Maskinen fungerer ikke.	Batteriet er ikke satt helt inn.	▶ Sett i batteriet. → Side 58
	Batteriet er utladet.	▶ Lad batteriet. → Side 58
Kontrollbryteren kan ikke trykkes inn eller er blokkert.	Bryteren for høyre-/venstregang er i midtstilling.	▶ Still inn bryteren for høyre-/venstregang. → Side 60
Turtallet reduseres kraftig og plutselig.	Batteriet er utladet.	▶ Lad batteriet. → Side 58
Batteriet blir raskere tomt enn vanlig.	Svært lave omgivelses-temperaturer.	▶ La batteriet varmes langsomt opp til romtemperatur.
Batteriet festes ikke med et hørbart dobbeltklikk.	Festetappene på batteriet er skitne.	▶ Rengjør festetappene og la batteriet klikke på plass. Hvis problemet vedvarer, kontakter du Hilti service .
Sterk varmeutvikling i maskinen eller batteriet.	Elektrisk defekt.	▶ Slå maskinen av umiddelbart, ta ut batteriet, undersøk det, la det avkjøles og kontakt Hilti service .
	Maskinen er overbelastet (bruks-grensen er overskredet).	▶ Velg maskin som passer til bruksområdet.

10 Avhending

Hilti-apparater er i stor grad laget av resirkulerbart materiale. En forskriftsmessig materialsortering er en forutsetning for resirkulering. I mange land tar **Hilti** ditt gamle apparat i retur. Spør **Hilti** kundeservice eller forhandleren din.

Avhending av batterier

Ved ukynndig avhending av batterier kan gasser eller væsker som lekker ut, representere helsefare.

- ▶ Ikke send skadde batterier i posten eller på annen måte!
- ▶ Dekk til kontaktene med et ikke-ledende materiale for å unngå kortslutning.
- ▶ Kasser batterier slik at de er utilgjengelige for barn.
- ▶ Lever inn batteriet i nærmeste **Hilti Store**, eller kontakt et lokalt renovasjonsfirma.



- ▶ Kast aldri elektroverktøy, elektronisk utstyr eller batterier i husholdningsavfallet!

11 RoHS (direktiv for begrensning av bruk av farlige stoffer)

Under følgende lenke finner du tabellen over farlige stoffer: qr.hilti.com/r4923, qr.hilti.com/r4922, qr.hilti.com/r4927 og qr.hilti.com/r4926.

Du finner en lenke til RoHS-tabellen helt til slutt i denne dokumentasjonen som QR-kode.



12 Produsentgaranti

- ▶ Når det gjelder spørsmål om garantibetingelser, ber vi deg kontakte din lokale **Hilti**-partner.

Alkuperäiset ohjeet

1 Dokumentaation tiedot

1.1 Tästä dokumentaatiosta

- Lue ehdottomasti tämä dokumentaatio ennen tuotteen käyttöönottoa. Se on turvallisen työnteon ja tuotteen ongelmattoman käsittelyn perusedellytys.
- Noudata tässä dokumentaatiossa ja tuotteessa olevia turvallisuus- ja varoitushuomautuksia.
- Säilytä käyttöohje aina tuotteen yhteydessä ja varmista, että käyttöohje on mukana, kun luovutat tuotteen toiselle henkilölle.

1.2 Merkkien selitykset

1.2.1 Varoitushuomautukset

Varoitushuomautukset varoittavat tuotteen käyttöön liittyvistä vaaroista. Seuraavia varoitustekstejä käytetään:

VAKAVA VAARA

VAKAVA VAARA !

- ▶ Varoittaa uhkaavasta vaaratilanteesta, josta voi seurauksena olla vakava loukkaantuminen tai jopa kuolema.

VAARA

VAARA !

- ▶ Varoittaa mahdollisesta vaarasta, josta voi seurauksena olla vakava loukkaantuminen tai kuolema.





VAROITUS

VAROITUS !

- ▶ Varoittaa mahdollisesta vaaratilanteesta, josta voi seurata loukkaantuminen tai aineellinen vahinko.




1.2.2 Symbolit dokumentaatiossa

Tässä dokumentaatiossa käytetään seuraavia symboleita:

	Lue käyttöohje ennen käyttämistä
	Toimintaohjeita ja muuta hyödyllistä tietoa
	Kierrätyskelpoisten materiaalien käsittely
	Älä hävitä sähkölaitteita ja akkuja tavallisen sekajätteen mukana

1.2.3 Symbolit kuvissa

Kuvissa käytetään seuraavia symboleita:

	Nämä numerot viittaavat vastaavaan kuvaan tämän käyttöohjeen alussa
	Numerointi kertoo työvaiheiden järjestyksen kuvissa ja saattaa poiketa numeroinnista tekstissä
	Kohtanumeroita käytetään kuvassa Yleiskuva , ja ne viittaavat kuvatekstien numerointiin kappaleessa Tuoteyhteenveto





Tämän merkin tarkoitus on kiinnittää erityinen huomiosi tuotteen käyttöön ja käsittelyyn.

1.3 Tuotekohtaiset symbolit

1.3.1 Symbolit tuotteessa

Tuotteessa voidaan käyttää seuraavia symboleita:

	Poraaminen ilman iskua
	Poraaminen iskulla
/min	Kierrosta minuutissa
n_0	Nimellisjoutokäyntikierrosluku
	Tasavirta
Li-Ion	Litiumioniakku
	Käytettävien Hilti -litiumioniakkujen tyyppisarja. Ota kappaleessa Tarkoituksenmukainen käyttö annetut tiedot huomioon.
	Tämä kone tukee iOS- ja Android-alustojen kanssa yhteensopivaa NFC-tekniologiaa.
	Älä koskaan käytä akkua lyöntityökaluna.
	Älä päästä akkua putoamaan. Älä käytä akkua, johon on kohdistunut isku tai joka on muutoin vaurioitunut.

1.4 Tuotetiedot

HILTI -tuotteet on tarkoitettu ammattikäyttöön, ja niitä saa käyttää, huoltaa tai korjata vain valtuutettu, koulutettu henkilö. Käyttäjän pitää olla hyvin perillä käyttöön liittyvistä vaaroista. Tuote ja sen varusteet saattavat aiheuttaa vaaratilanteita, jos kokemattomat henkilöt käyttävät tuotetta ohjeiden vastaisesti tai muutoin asiattomasti.

Tyyppimerkinnän ja sarjanumeron löydät tyyppikilvestä.

- Kirjoita sarjanumero oheiseen taulukkoon. Tuotteen tiedot tarvitaan, jos esität kysymyksiä myynti- tai huoltoedustajallemme.

Tuotetiedot

Akkuruuvinväännin	SID 14-A, SID 22-A
Akkukäyttöinen iskevä mutteriväännin	SIW 14-A, SIW 22-A
Sukupuoli:	01
Sarjanumero:	

1.5 Vaatimustenmukaisuusvakuutus

Vakuutamme, että tässä kuvattu tuote täyttää voimassa olevien direktiivien ja standardien vaatimukset. Kuva vaatimustenmukaisuusvakuutuksesta on tämän dokumentaation lopussa.

Tekninen dokumentaatio löytyy tästä:

Hilti Entwicklungsgesellschaft mbH | Zulassung Geräte | Hiltistraße 6 | 86916 Kaufering, DE

2 Turvallisuus

2.1 Sähkötyökaluja koskevat yleiset turvallisuusohjeet

⚠ VAKAVA VAARA Lue kaikki turvallisuus- ja käyttöohjeet, selostukset ja tekniset tiedot, jotka liittyvät tähän sähkötyökaluun. Seuraavien ohjeiden noudattamatta jättäminen saattaa johtaa sähköiskuun, tulipaloon ja/tai vakavaan loukkaantumiseen.

Säilytä kaikki turvallisuus- ja käyttöohjeet huolellisesti vastaisen varalle.



Turvallisuusohjeissa käytetty käsite ”sähkötyökalu” tarkoittaa verkkokäyttöisiä sähkötyökaluja (joissa verkkojohto) ja akkukäyttöisiä sähkötyökaluja (joissa ei verkkojohtoa).

Työpaikan turvallisuus

- ▶ **Pidä työskentelyalue siistinä ja hyvin valaistuna.** Työpaikan epäjärjestys ja valaisemattomat työalueet voivat johtaa tapaturmiin.
- ▶ **Älä käytä sähkötyökalua räjähdyssaltiliissa ympäristössä, jossa on syttyvää nestettä, kaasua tai pölyä.** Sähkötyökalut synnyttävät kipinöitä, jotka saattavat sytyttää pölyn tai höyryt.
- ▶ **Pidä lapset ja sivulliset loitolla sähkötyökalua käyttäessäsi.** Voit menettää koneen hallinnan huomiosi suuntautuessa muualle.

Sähköturvallisuus

- ▶ **Sähkötyökalun pistokkeen pitää sopia pistorasiaan.** Pistoketta ei saa muuttaa millään tavalla. **Älä käytä pistorasia-adaptoreita suojamaadotettujen sähkötyökalujen yhteydessä.** Alkuperäisessä kunnossa olevat pistokkeet ja sopivat pistorasiat vähentävät sähköiskun vaaraa.
- ▶ **Vältä koskettamasta sähköä johtaviin pintoihin kuten putkiin, pattereihin, liesiin ja jääkaappeihin.** Sähköiskun vaara kasvaa, jos kehosi maadottuu.
- ▶ **Älä aseta sähkötyökalua alttiiksi sateelle tai kosteudelle.** Veden tunkautuminen sähkötyökalun sisään lisää sähköiskun vaaraa.
- ▶ **Älä kanna tai ripusta sähkötyökalua verkkojohdostaan äläkä vedä pistoketta irti pistorasiasta johdosta vetämällä.** Pidä johto loitolla kuumuudesta, öljystä, terävistä reunoista ja liikkuvista osista. Vahingoittuneet tai toisiinsa kietoutuneet johdot lisäävät sähköiskun vaaraa.
- ▶ **Kun käytät sähkötyökalua ulkona, käytä ainoastaan ulkokäyttöön soveltuvia jatkojohtoja.** Ulko-käyttöön soveltuvan jatkojohdon käyttö pienentää sähköiskun vaaraa.
- ▶ **Jos sähkötyökalua on välttämätöntä käyttää kosteassa ympäristössä, käytä vikavirtasuojakytkintä.** Vikavirtasuojakytkimen käyttö pienentää sähköiskun vaaraa.

Henkilöturvallisuus

- ▶ **Ole valpas, kiinnitä huomiota työskentelyysi ja noudata tervettä järkeä sähkötyökalua käyttäessäsi.** **Älä käytä sähkötyökalua, jos olet väsynyt tai huumeiden, alkoholin tai lääkkeiden vaikutuksen alaisena.** Sähkötyökalua käytettäessä hetkellinenkin varomattomuus saattaa aiheuttaa vakavia vammoja.
- ▶ **Käytä henkilökohtaisia suojarusteita ja aina suojalaseja.** Henkilökohtaiset suojarusteet, kuten hengityssuojain, luistamattomat turvajalkineet, kypärä ja kuulosuojaimet, pienentävät oikein käytettyinä loukkaantumisriskiä sähkötyökalun käyttötilanteesta riippuen.
- ▶ **Varo tahatonta käynnistämistä.** Varmista, että sähkötyökalu on kytketty pois päältä, ennen kuin liität sen verkkovirtaan ja/tai liität siihen akun, otat sen käteesi tai kannat sitä. Jos kannat sähkötyökalua sormi käyttökytkimellä tai liität pistokkeen pistorasiaan käyttökytkimen ollessa käyntiasennossa, altistat itsesi onnettomuuksille.
- ▶ **Poista kaikki säätötyökalut ja ruuvitaltat, ennen kuin käynnistät sähkötyökalun.** Työkalu tai avain, joka sijaitsee koneen pyörivässä osassa, saattaa johtaa loukkaantumiseen.
- ▶ **Vältä vaikeita työskentelyasentoja.** Varmista aina tukeva seisoma-asento ja tasapaino. Siten voit paremmin hallita sähkötyökalua odottamattomissa tilanteissa.
- ▶ **Käytä työhösi soveltuvia vaatteita. Älä käytä löysiä työvaatteita tai koruja.** Pidä hiukset, vaatteet ja käsineet loitolla liikkuvista osista. Vältä vaatteet, korut ja pitkät hiukset voivat takertua liikkuviin osiin.
- ▶ **Jos pölynpoisto- ja keräilylaitteita voidaan asentaa, sinun on tarkastettava, että ne on liitetty oikein ja että niitä käytetään oikealla tavalla.** Pölynpoistovarustuksen käyttö vähentää pölyn aiheuttamia vaaroja.
- ▶ **Älä tuudittaudu virheelliseen turvallisuuden tunteeseen äläkä laiminlyö sähkötyökaluja koskevia turvallisuusohjeita silloinkaan, kun mielestäsi jo olet kokenut sähkötyökalun käyttäjä.** Harkitsema-ton ja huolimaton toiminta voi sekunnin murto-osissa johtaa vakaviin loukkaantumisiin.

Sähkötyökalun käyttö ja käsittely

- ▶ **Älä ylikuormita konetta.** Käytä kyseiseen työhön tarkoitettua sähkötyökalua. Sopivaa sähkötyökalua käyttäen työskentelet paremmin ja varmemmin tehoalueella, jolle sähkötyökalu on tarkoitettu.
- ▶ **Älä käytä sähkötyökalua, jonka käyttökytkin ei toimi.** Sähkötyökalu, jota ei enää voida käynnistää ja pysäyttää käyttökytkimellä, on vaarallinen ja se täytyy korjata.
- ▶ **Irrota pistoke pistorasiasta ja/tai irrota akku ennen kuin muutat säätöjä, vaihdat terää tai lisävarusteita ja kun lopetat koneen käyttämisen.** Tämä turvatoimenpide estää sähkötyökalun tahattoman käynnistysriskin.
- ▶ **Säilytä sähkötyökalut poissa lasten ulottuvilta, kun niitä ei käytetä.** Älä anna toisten henkilöiden käyttää konetta, elleivät he ole perehtyneet sen käyttöön ja lukeneet käyttöohjeita. Sähkötyökalut ovat vaarallisia, jos niitä käyttävät kokemattomat henkilöt.



- ▶ **Hoida sähkötyökaluja ja niiden varusteita huolella. Tarkasta, että liikkuvat osat toimivat moitteettomasti eivätkä ole puristuksissa, ja tarkasta myös, ettei sähkötyökalussa ole murtuneita tai vaurioituneita osia, jotka saattaisivat haitata sen toimintaa. Korjauta vaurioituneet osat ennen koneen käyttämistä.** Usein loukkaantumisten ja tapaturmien syyinä on sähkötyökalujen laiminlyöty huolto.
- ▶ **Pidä terät terävinä ja puhtaina.** Huolella hoidetut terät, joiden leikkausreunat ovat teräviä, eivät jumitu herkästi, ja niillä työnteko on kevyempää.
- ▶ **Käytä sähkötyökalua, lisävarusteita ja tarvikkeita, teriä jne. niiden käyttöohjeiden mukaisesti. Ota tällöin työolosuhteet ja suoritettava työtehtävä huomioon.** Sähkötyökalun käyttö muuhun kuin sille tarkoitettuun käyttöön saattaa johtaa vaarallisiin tilanteisiin.
- ▶ **Pidä käsikahvat ja tartuntapinnat kuivina, puhtaina, öljyttöminä ja rasvattomina.** Jos käsikahvat tai tartuntapinnat ovat liukkaat, sähkötyökalun turvallinen käyttö ja hallinta voi yllättävissä tilanteissa olla mahdotonta.

Akkukäyttöisen sähkötyökalun käyttö ja käsittely

- ▶ **Lataa akku vain valmistajan suositamalla laturilla.** Jos laturi on tarkoitettu vain tietyn akkumallin lataamiseen, palovaara on olemassa, jos laturia käytetään muiden akkujen lataamiseen.
- ▶ **Käytä ainoastaan juuri kyseiseen sähkötyökaluun tarkoitettua akkua.** Jonkun muun akun käyttö saattaa johtaa loukkaantumiseen ja tulipaloon.
- ▶ **Pidä irrallinen akku loitolla metalliesineistä, kuten paperinliittimistä, kolikoista, avaimista, nau-loista, ruuveista tai muista pienistä metalliesineistä, jotka voivat oikosulkea akun liittimet.** Akun liittimien välinen oikosulku saattaa aiheuttaa palovammoja tai johtaa tulipaloon.
- ▶ **Väärästä käytöstä johtuen saattaa akusta vuotaa nestettä, jota ei saa koskettaa. Vältä kosketusta sen kanssa. Tarvittaessa huuhtele kosketuskohta vedellä. Jos nestettä pääsee silmiin, tarvitaan lisäksi lääkärin apua.** Akusta vuotava neste saattaa aiheuttaa ärsytystä ja palovammoja.
- ▶ **Älä käytä akkua, joka on vaurioitunut tai johon on tehty muutoksia.** Vaurioitunut akku tai akku, jota on muutettu, saattaa käyttäytyä yllättävästi ja aiheuttaa tulipalon, räjähdyksen ja vammoja.
- ▶ **Varjele akkua avotulelta ja korkeilta lämpötiloilta.** Avotuli tai yli 130 °C:n (265 °F) lämpötila voi aiheuttaa räjähdyksen.
- ▶ **Noudata kaikkia akun lataamisesta annettuja ohjeita, ja lataa akku tai akun sisältävä sähkötyökalu aina käyttöohjeessa mainittuja lämpötilarajoja noudattaen.** Akun virheellinen lataaminen tai lataaminen sallitun lämpötila-alueen lämpötiloja noudattamatta saattaa johtaa akun tuhoutumiseen ja aiheuttaa tulipalovaaran.

Huolto

- ▶ **Anna koulutettujen ammattihenkilöiden korjata sähkötyökalusi ja hyväksy korjauksiin vain alkupe-räisiä varaosia.** Siten varmistat koneen turvallisuuden säilymisen.
- ▶ **Älä koskaan yritä huoltaa vaurioitunutta akkua.** Akkujen kaikki huoltotyöt saa suorittaa vain valmistaja tai sen valtuuttama huoltopiste.

2.2 Ruuvaimia ja iskeviä mutteriväntimiä koskevat turvallisuusohjeet

- ▶ **Pidä sähkötyökalusta kiinni sen eristetyistä kahvapinnoista, jos teet työtä, jossa ruuvi saattaa osua rakenteen sisällä olevaan virtajohtoon.** Jos ruuvi osuu virtajohtoon, myös koneen metalliosiin saattaa johtua virta, ja saatat saada sähköiskun.

2.3 Lisää ruuvainten turvallisuusohjeita

Henkilöturvallisuus

- ▶ Käytä vain tuotetta, joka on teknisesti moitteettomassa kunnossa.
- ▶ Älä koskaan tee koneeseen minkäänlaisia muutoksia.
- ▶ Käytä koneen mukana toimitettuja lisäkäsikahvoja. Koneen hallinnan menettäminen saattaa aiheuttaa loukkaantumisia.
- ▶ Pidä aina molemmin käsin kiinni koneen käsikahvoista. Pidä käsikahvat kuivina ja puhtaina.
- ▶ Varo, ettet koske pyöriiviin osiin - loukkaantumisvaara!
- ▶ Konetta käyttäessäsi käytä soveltuvia suojalaseja, suojakypärää, kuulosuojaimia, suojakäsineitä ja kevyttä hengityssuojainta.
- ▶ Käytä työkaluterän vaihdossa suojakäsineitä. Työkaluterän koskettaminen saattaa aiheuttaa haavoja ja palovammoja.
- ▶ Käytä suojalaseja. Sirpaleet saattavat aiheuttaa vammoja ja vahingoittaa silmiä.
- ▶ Selvitä työssä syntyvän pölyn vaarallisuus ennen työn aloittamista. Käytä rakennustyömaakäyttöön hyväksyttyä pölynimuria, joka täyttää viralliset pölysuojaluokitusmääräykset. Tietyjen materiaalien



kuten lyijypitoisen maalin, joidenkin puulajien, kvartsis sisältävän betonin / muurauksen / kivityksen ja mineraalin sekä metallien pölyt voivat olla terveydelle vaarallisia.

- ▶ Varmista työpisteen hyvä tuuletus ja tarvittaessa käytä hengityssuojainta, joka soveltuu kyseessä olevalla pölylle. Pölyjen ihokosketus tai hengittäminen saattaa aiheuttaa allergisia reaktioita ja/tai hengitystiesairauksia koneen käyttäjälle tai lähellä oleville henkilöille. Tietyt pölyt kuten tammen tai pyökin pöly on luokiteltu syöpää aiheuttaviksi, erityisesti jos niihin liittyy puunkäsittelyn lisäaineita (kromaatti, puunsuoja-aineet). Asbestia sisältäviä materiaaleja saavat työstää vain erikoiskoulutetut henkilöt.
- ▶ Pidä työssäsi taukoja, joiden aikana tee sormivoimisteluliikkeitä varmistaaksesi sormiesi hyvän verenkierron. Pitempään jatkuva työnteko saattaa tärinän vuoksi aiheuttaa verenkiertohäiriöitä tai sormien, käsien ja ranteiden hermokipuja.

Sähköturvallisuus

- ▶ Tarkasta ennen työn aloittamista, onko työskentelyalueella rakenteiden sisälle asennettuja sähköjohtoja tai kaasu- ja vesiputkia. Koneen ulkopinnan metalliosista saatat saada sähköiskun, jos vahingossa osut sähköjohtoon.

Sähkötyökalujen käyttö ja hoito

- ▶ Kytke sähkötyökalu heti pois päältä, jos terä jumittuu. Kone saattaa pyrkiä liikkumaan sivusuunnassa.
- ▶ Odota, että sähkötyökalu on täysin pysähtynyt, ennen kuin lasket sen kädestäsi.

2.4 Akkujen käyttö ja hoito

- ▶ Ota litiumioniakkujen kuljettamisesta, varastoinnista ja käyttämisestä annetut erityisohjeet huomioon.
- ▶ Suojaa akut korkeilta lämpötiloilta, suoralta auringonpaisteelta ja avotulelta.
- ▶ Akkuja ei saa avata, puristaa, kuumentaa yli 80 °C:n lämpötilaan tai polttaa.
- ▶ Älä käytä tai lataa akkua, joka on saanut iskun, joka on pudonnut yli metrin korkeudelta tai joka on muulla tavoin vaurioitunut. Tällaisessa tapauksessa ota aina yhteys **Hilti -huoltoon**.
- ▶ Jos akku on liian kuuma koskea, se saattaa olla vaurioitunut. Aseta tuote riittävän etäälle syttyvistä materiaaleista palovaarattomaan paikkaan, jossa voit valvoa tuotetta, ja anna sen jäähtyä. Tällaisessa tapauksessa ota aina yhteys **Hilti -huoltoon**.

3 Kuvaus

3.1 Tuoteyhteenvedo



3.2 Tarkoituksenmukainen käyttö

Kuvattu tuote on käsiohjattava akkukäyttöinen iskevä mutteriväännin. Se on tarkoitettu ruuviliitosten, muttereiden ja pulttien kiristämiseen ja avaamiseen alusmateriaalin ollessa puu, metalli, tiili tai betoni.



Iskevää mutteriväännintä ei saa käyttää käyttötarkoituksiin, jotka vaativat tarkkaa/määritettyä vääntömomenttia. Muutoin on olemassa vaara, että kierteet vääntyvät rikki ja ruuvi tai kiinnitettävä osa vaurioituu.

- ▶ Käytä tässä tuotteessa vain B14-tyyppisarjan **Hilti**-litiumioniakkuja (kone SID/SIW 14-A) tai B22-tyyppisarjan Hilti-litiumioniakkuja (kone SID/SIW 22-A).
- ▶ Käytä näiden akkujen lataamiseen vain C4/36-sarjan **Hilti**-latureita.

3.3 Lataustilan näyttö

Litiumioniakun lataustila näytetään, kun painat lukituspainikkeita/lukituspainiketta kevyesti (vain tuntuvaan vastekohtaan saakka).

Tila	Merkitys
4 LED-merkkivaloa palaa.	Lataustila: 75 % ... 100 %
3 LED-merkkivaloa palaa.	Lataustila: 50 % ... 75 %
2 LED-merkkivaloa palaa.	Lataustila: 25 % ... 50 %
1 LED-merkkivalo palaa.	Lataustila: 10 % ... 25 %
1 LED vilkkuu.	Lataustila: < 10 %

Akun lataustilan tarkastaminen ei ole mahdollista käyttökäytin painettuna ja 5 sekunnin aikana käyttökäytimen vapauttamisesta.

3.4 Toimituksen sisältö

Iskevä mutteriväännin, käyttöohje.

Tälle tuotteelle hyväksytyjä varaosia, kulutusmateriaaleja ja lisävarusteita löydät **Hilti Store** -liikkeestä tai osoitteesta: www.hilti.group | USA: www.hilti.com

4 Iskevä mutteriväännin

	SID 14-A	SIW 14-A
Nimellisjännite	14,4 V	14,4 V
Paino EPTA Procedure-01 mukaan	1,6 kg	1,6 kg
Nimellisjoutokäyntikierrosluku	Asento I	0/min ... 1 000/min
	Asento II	0/min ... 1 500/min
	Asento III	0/min ... 2 500/min
Iskuluku	≤ 3 100/min	≤ 3 400/min
Vääntömomentin säätö	3 asentoa	3 asentoa
Kookkaat vakioruuvit	M8 - M16	M8 - M16
Kookkaat suulujat ruuvit	M6 - M12	M6 - M12
Istukka	$\frac{1}{4}$ " kuusiokolo ja lukitsinkehys	$\frac{1}{2}$ " nelikanta jossa lukituskuula tai $\frac{3}{8}$ " nelikanta jossa lukkorengas
Ympäristön lämpötila käytettäessä	-17 °C ... 60 °C	-17 °C ... 60 °C
Varastointilämpötila	-20 °C ... 70 °C	-20 °C ... 70 °C

	SID 22-A	SIW 22-A
Nimellisjännite	21,6 V	21,6 V
Paino EPTA Procedure-01 mukaan	2,1 kg	2,1 kg
Nimellisjoutokäyntikierrosluku	Asento I	0/min ... 1 000/min
	Asento II	0/min ... 1 500/min
	Asento III	0/min ... 2 500/min
Iskuluku	≤ 3 450/min	≤ 3 500/min
Vääntömomentin säätö	3 asentoa	3 asentoa



	SID 22-A	SIW 22-A
Kookkaat vakioruuvit	M8 - M16	M8 - M16
Kookkaat suulujat ruuvit	M6 - M12	M6 - M12
Istukka	$\frac{1}{4}$ " kuusiokolo ja lukitsin-kehys	$\frac{1}{2}$ " nelikanta jossa lukituskuula tai $\frac{3}{8}$ " nelikanta jossa lukkorengas
Ympäristön lämpötila käytettäessä	-17 °C ... 60 °C	-17 °C ... 60 °C
Varastointilämpötila	-20 °C ... 70 °C	-20 °C ... 70 °C

4.1 Melutiedot ja tärinäarvot EN 62841 mukaan

Tässä käyttöohjeessa annetut äänenpaine- ja tärinäarvot on mitattu standardoitujen mittausmenetelmien mukaisesti, ja näitä arvoja voidaan käyttää sähkötyökalujen vertailussa. Ne soveltuvat myös altistumisten tilapäiseen arviointiin.

Annetut arvot koskevat sähkötyökalun pääasiallisia käyttötarkoituksia. Jos sähkötyökalua kuitenkin käytetään muihin tarkoituksiin, poikkeavia työkaluja tai teriä käyttäen tai puutteellisesti huollettuna, arvot voivat poiketa tässä ilmoitetuista. Tämä saattaa merkittävästi lisätä altistumista koko työskentelyajan aikana.

Altistumisia tarkasti arvioitaessa on otettava huomioon myös ne ajat, jolloin kone on kytketty pois päältä tai jolloin kone on päällä, mutta sillä ei tehdä varsinaista työtä. Tämä saattaa merkittävästi vähentää altistumista koko työskentelyajan aikana.

Käyttäjän suojaamiseksi melun ja/tai tärinän vaikutukselta ryhdy tarpeellisiin turvatoimenpiteisiin kuten: Sähkötyökalun ja siihen kiinnitettävien työkalujen huolto, käsien lämpimänä pitäminen, työtehtävien organisointi.

Melutiedot

	SID 14-A	SIW 14-A	SID 22-A	SIW 22-A
Melutehotaso (L_{WA})	94 dB(A)	94 dB(A)	97 dB(A)	97 dB(A)
Melutehotason epävarmuus (K_{WA})	3 dB(A)	3 dB(A)	3 dB(A)	3 dB(A)
Melupäästön äänenpainetaso (L_{pA})	83 dB(A)	83 dB(A)	86 dB(A)	86 dB(A)
Äänenpainetaso epävarmuus (K_{pA})	3 dB(A)	3 dB(A)	3 dB(A)	3 dB(A)

Tärinän kokonaisarvot

	SID 14-A	SIW 14-A	SID 22-A	SIW 22-A
Tärinäarvo suurimpien sallittujen ruuvien ja muttereiden kiristyksessä (a_h)	7,5 m/s ²	7,5 m/s ²	11 m/s ²	11 m/s ²
Epävarmuus suurimpien sallittujen ruuvien ja muttereiden kiristyksessä	1,5 m/s ²	1,5 m/s ²	1,5 m/s ²	1,5 m/s ²

4.2 Vääntömomentin säätö

Kierroslukua valitaan vääntömomentin kierrettävän säätimen asennolla.

Malli SID ...

SID 14-A
SID 22-A

		Malli	
		SID 14-A	SID 22-A
Vääntömomentti	Asento I	50 Nm	60 Nm
	Asento II	100 Nm	110 Nm
	Asento III	150 Nm	165 Nm



Malli SIW ...

 SIW 14-A
 SIW 22-A

		SIW 14-A	
		1/2" nelikanta jossa lukituskuula	3/8" nelikanta jossa lukko-rengas
Vääntömomentti	Asento I	80 Nm	65 Nm
	Asento II	120 Nm	115 Nm
	Asento III	185 Nm	160 Nm

		SIW 22-A	
		1/2" nelikanta jossa lukituskuula	3/8" nelikanta jossa lukko-rengas
Vääntömomentti	Asento I	90 Nm	75 Nm
	Asento II	135 Nm	120 Nm
	Asento III	200 Nm	175 Nm

4.3 Akku 14,4 V

Akkutoimintajännite	14,4 V
Ympäristön lämpötila	-10 °C ... 60 °C
Varastointilämpötila	-20 °C ... 40 °C

4.4 Akku 21,6 V

Akkutoimintajännite	21,6 V
Ympäristön lämpötila	-17 °C ... 60 °C
Varastointilämpötila	-20 °C ... 40 °C

5 Työkohteen valmistelu
VAROITUS
Loukkaantumiswaara vahingossa käynnistymisen seurauksena!

- ▶ Varmista ennen akun kiinnittämistä, että tuote on kytketty pois päältä.
- ▶ Irrota akku, ennen kuin muutat koneen säätöjä tai vaihdat lisävarusteosia.

Noudata tässä dokumentaatioissa ja tuotteessa olevia turvallisuus- ja varoitushuomautuksia.

5.1 Akun lataus

1. Ennen lataamista lue laturin käyttöohje.
2. Varmista, että liittimet akussa ja laturissa ovat puhtaat ja kuivat.
3. Lataa akku hyväksytyllä laturilla.

5.2 Akun kiinnitys
VAROITUS
Loukkaantumiswaara akun oikosulun tai putoamisen seurauksena!

- ▶ Ennen akun paikalleen laittamista varmista, ettei akun liittimissä akussa ja tuotteessa ole vieraita esineitä.
- ▶ Varmista, että akku aina lukittuu kunnolla paikalleen.

1. Lataa akku täyteen ennen ensimmäistä käyttökertaa.
2. Aseta akku kiinnikkeeseen koneessa siten, että akku kuuluvasti lukittuu.
3. Tarkasta, että akku on kunnolla kiinni.



5.3 Akun irrotus

1. Paina akun lukituksen vapautuspainikkeita.
2. Vedä akku irti laitteesta.

5.4 Vyökoukun (lisävaruste) kiinnitys 2



VAARA

Loukkaantumisvaara Koneen putoamisen aiheuttama vaara.

- Putoamaan pääsevä kone saattaa aiheuttaa vaaran sinulle tai muille lähellä oleville. Ennen työn aloittamista tarkasta, että vyökoukku on kunnolla kiinnitetty.



Vyökoukun avulla voit kiinnittää koneen vyöhösi käden ulottuville. Vyökoukku voidaan kiinnittää koneen kantamiseksi vasemmalla tai oikealla puolella.

1. Irrota akku. → Sivu 71
2. Laita vyökoukku kiinnityskohtaansa vääntimen juuressa.
3. Kiinnitä vyökoukku 2 ruuvilla.

5.5 Työkaluterän kiinnitys 3

SID 14-A
SID 22-A

1. Tarkasta, että työkaluterän istukkapää on puhdas.
 - Tarvittaessa puhdistista istukkapää.
2. Kytke suunnanvaihtokytkin keskiasentoon tai irrota koneesta akku.
3. Laita työkaluterä istukkaan vasteeseen saakka ja varmista, että se lukittuu paikalleen.
4. Tarkasta työkaluterän tiukka ja kunnollinen kiinnitys ennen käyttöönottoa.

5.6 Työkaluterän kiinnitys 4

SIW 14-A
SIW 22-A

1. Tarkasta, että työkaluterän istukkapää on puhdas.
 - Tarvittaessa puhdistista istukkapää.
2. Kytke suunnanvaihtokytkin keskiasentoon tai irrota koneesta akku.
3. Ohjaa työkaluterän sivureikä istukassa olevaa lukituskuulaa vasten.
4. Paina työkaluterää istukkaan, kunnes työkaluterä lukittuu kiinni.
5. Tarkasta työkaluterän tiukka ja kunnollinen kiinnitys ennen käyttöönottoa.

5.7 Työkaluterän kiinnitys 5

SIW 22-A



VAROITUS

Loukkaantumisvaara Jos käytät vääränlaista työkalua!

- Käytä ainoastaan työkaluja, joissa on lukitus.
- Älä käytä kuluneita tai vaurioituneita työkaluja.

1. Kytke suunnanvaihtokytkin keskiasentoon tai irrota koneesta akku.
2. Irrota O-rengas hylsyavaimen urasta.
3. Vedä lukitustappi ulos.
4. Aseta hylsyavain koneen nelikantakaraan.



Varmista, että lukitusrenkaan kiinnityksen reiät ovat kohdakkain nelikantakarassa ja hylsyavaimessa.

5. Laita lukitustappi hylsyavaimen.



2072653

- Laita O-renkas hylsyavaimeen.
- Tarkasta työkaluterän tiukka ja kunnollinen kiinnitys ennen käyttöönottoa.

6 Käyttö

Noudata tässä dokumentaatiossa ja tuotteessa olevia turvallisuus- ja varoitushuomautuksia.

6.1 Vääntömomentin säätö

- Paina vääntömomentin valintakytkintä niin monta kertaa, että vääntömomentin vaihtokytkimen vasemalla puolella näkyy haluamasi vääntömomenttiasetus.


SID 14-A
SID 22-A

Malli SID ... → Sivu 69

SIW 14-A
SIW 22-A

Malli SIW ... → Sivu 70

6.2 Pyörimissuunnan valinta

-  Salpa estää suunnan vaihtamisen moottorin käydessä. Keskiasennossa koneen käyttökytkin on lukittu (päälle kytkeytymisen esto).

- Valitse haluamasi pyörimissuunta suunnanvaihtokytkimellä.

6.3 Kytkeminen päälle

- Paina käyttökytkintä.
 - Kierroslukua säätyy kytkimen painamissyvyyden mukaisesti.

6.4 Ruuvaaminen

VAROITUS

Työkappaleen vaurioitumisen aiheuttama loukkaantumisvaara! Liian suuri vääntömomentti voi vaurioittaa ruuveja tai työkalupäätä. Siitä voi seurata vammoja.

- Varmista, että ruuvit ja työkaluterä soveltuvat koneen tuottamalle vääntömomentille.

- Kytke suunnanvaihtokytkin keskiasentoon tai irrota koneesta akku.
- Säädä vääntömomentti haluamaksesi vääntömomentin valintakytkimellä. → Sivu 72

6.5 Kytkeminen pois päältä

- Vapauta käyttökytkin.

6.6 Työkalun irrotus

SID 14-A
SID 22-A

VAROITUS

Työkaluterän aiheuttama loukkaantumisvaara! Työkaluterä voi olla kuuma tai teräväreunainen.

- Käytä aina suojakäsineitä, kun käytät konetta ja vaihdat koneen työkaluterää.

- Kytke suunnanvaihtokytkin keskiasentoon tai irrota koneesta akku.
- Vedä istukan renkaasta eteenpäin ja pidä siitä kiinni.
- Vedä työkalu irti istukasta.
- Vapauta istukan rengas.



6.7 Työkalun irrotus 9

SIW 14-A
SIW 22-A

VAROITUS

Työkaluterän aiheuttama loukkaantumisvaara! Työkaluterä voi olla kuuma tai teräväreunainen.

► Käytä aina suojakäsineitä, kun käytät konetta ja vaihdat koneen työkaluterää.

1. Kytke suunnanvaihtokytkin keskiasentoon tai irrota koneesta akku.
2. Vedä työkalu irti istukasta.

6.8 Työkaluterän irrotus 10

SIW 22-A

1. Kytke suunnanvaihtokytkin keskiasentoon tai irrota koneesta akku.
2. Irrota O-rengas hylsyavaimen urasta.
3. Vedä lukitustappi irti.
4. Irrota hylsyavaimen nelikantakarasta.
5. Kiinnitä lukitustappi.
6. Kiinnitä O-rengas hylsyavaimen uraan.

7 Huolto, hoito ja kunnossapito

VAARA

Loukkaantumisvaara jos akku paikallaan !

► Irrota akku aina ennen hoito- ja kunnostustöitä!

Koneen hoito

- Poista pinttynyt lika varovasti.
- Puhdista jäähdytysilmaraot varovasti kuivalla harjalla.
- Käytä kotelon puhdistamiseen vain kevyesti kostutettua kangasta. Älä käytä silikonia sisältäviä hoitoaineita, sillä ne voivat vaurioittaa muoviosia.

Litiumioniakkujen hoito

- Pidä akku puhtaana, öljyttömänä ja rasvattomana.
- Käytä kotelon puhdistamiseen vain kevyesti kostutettua kangasta. Älä käytä silikonia sisältäviä hoitoaineita, sillä ne voivat vaurioittaa muoviosia.
- Varo, ettei kosteutta pääse tunkeutumaan sisään.

Kunnossapito

- Tarkasta säännöllisin välein kaikkien näkyvien osien mahdolliset vauriot ja käyttöelementtien moitteeton toiminta.
- Jos havaitset vaurioita ja / tai toteat toimintahäiriöitä, älä käytä tuotetta. Korjauta heti **Hilti**-huollossa.
- Hoito- ja kunnostustöiden jälkeen kiinnitä kaikki suojalaitteet ja tarkasta niiden toiminta.



Käyttöturvallisuuden varmistamiseksi käytä vain alkuperäisiä varaosia ja käyttömateriaaleja. Tälle tuotteelle hyväksytyjä varaosia, kulutusmateriaaleja ja lisävarusteita löydät **Hilti Store** -liikkeestä tai osoitteesta: www.hilti.group.

8 Akkukäyttöisten koneiden kuljetus ja varastointi

Kuljettaminen

VAROITUS

Käynnistyminen vahingossa kuljetuksen aikana !

► Kuljeta tuotteesi aina akku irrotettuna!

► Irrota akut.



2072653

Suomi

73

- ▶ Älä koskaan kuljeta akkuja irrallaan muiden tavaroiden joukossa.
- ▶ Pitemmän kuljetuksen jälkeen tarkasta koneen ja akkujen mahdolliset vauriot ennen käyttöä.

Varastointi



VAROITUS

Viallinen tai vuotava akku voi aiheuttaa vaurioita !

- ▶ Varastoi tuotteesi aina akku irrotettuna!
-
- ▶ Varastoi kone ja akut viileässä ja kuivassa paikassa.
 - ▶ Älä koskaan varastoi akkuja auringonpaisteessa, lämmittimen tai patterin päällä tai ikkunan vieressä.
 - ▶ Varastoi kone ja akut lasten ja asiattomien henkilöiden ulottumattomissa.
 - ▶ Pitemmän varastoinnin jälkeen tarkasta kone ja akkujen mahdolliset vauriot ennen käyttöä.

9 Apua häiriötilanteisiin

Häiriöissä, joita ei ole kuvattu tässä taulukossa tai joita et itse pysty poistamaan, ota yhteys **Hilti**-huoltoon.

9.1 Apua häiriötilanteisiin

Häiriö	Mahdollinen syy	Ratkaisu
Kone ei toimi.	Akku ei kunnolla kiinni.	▶ Kiinnitä akku paikalleen. → Sivu 70
	Akku tyhjentynyt.	▶ Lataa akku. → Sivu 70
Käyttökytkintä ei saa painettua tai se on lukittunut.	Suunnanvaihtokytkin on keskiasennossa.	▶ Valitse pyörimissuunta suunnanvaihtokytkimellä. → Sivu 72
Kierroslukua laskee yhtäkkiä runsaasti.	Akku tyhjentynyt.	▶ Lataa akku. → Sivu 70
Akku tyhjenee tavallista nopeammin.	Erittäin alhainen ympäristön lämpötila.	▶ Anna akun hitaasti lämmitä huoneenlämpötilaan.
Akku ei lukitu paikalleen selvästi kaksi kertaa naksauttaen.	Akun salpanokat likaantuneet.	▶ Puhdista salpanokat ja kiinnitä akku paikalleen. Jos ongelma ei korjaantunut, ota yhteys Hilti -huoltoon.
Kone tai akku kuumenee voimakkaasti.	Sähköinen vika.	▶ Kytke kone heti pois päältä, irrota akku koneesta, valvo akkua, anna sen jäähtyä ja hakeudu Hilti -huoltoon.
	Kone on ylikuormittunut (käyttökuormitusraja ylittynyt).	▶ Valitse työtehtävään soveltuva kone.

10 Hävittäminen

Hilti-työkalut, -koneet ja -laitteet on pääosin valmistettu kierrätyskelpoisista materiaaleista. Kierrätyksen edellytys on materiaalien asianmukainen lajittelu. Useissa maissa **Hilti** ottaa vanhat koneet ja laitteet vastaan kierrätystä ja hävitystä varten. Lisätietoja saat **Hilti**-huollosta tai -edustajalta.

Akkujen hävittäminen

Määräystenvastaisten hävittämisen seurauksena akuista ulos pääsevät kaasut tai nesteet voivat vaarantaa terveyden.

- ▶ Älä lähetä vaurioituneita akkuja!
- ▶ Peitä liitännät sähköä johtamattomalla materiaalilla oikosulkujen välttämiseksi.
- ▶ Hävitä akut siten, etteivät ne voi joutua lasten käsiin.
- ▶ Hävitä akku viemällä se **Hilti Store** -liikkeeseen tai käännä vastuullisen jätteenkäsittely-yrityksen puoleen.



- ▶ Älä hävitä sähkötyökaluja, elektronia laitteita ja akkuja tavallisen sekajätteen mukana!



11 RoHS (vaarallisten aineiden käytön rajoittamisen direktiivi)

Vaarallisten aineiden taulukon löydät seuraavista linkeistä: qr.hilti.com/r4923, qr.hilti.com/r4922, qr.hilti.com/r4927 ja qr.hilti.com/r4926.

Linkki RoHS-taulukkoon on tämän dokumentaation lopussa QR-koodina.

12 Valmistajan myöntämä takuu

- Jos sinulla on takuuehtoihin liittyviä kysymyksiä, ota yhteys paikalliseen **Hilti**-edustajaan.

Перевод оригинального руководства по эксплуатации

1 Указания к документации

1.1 Об этом документе



Импортер и уполномоченная изготовителем организация

- (RU) Российская Федерация
АО "Хилти Дистрибьюшн ЛТД", 141402, Московская область, г. Химки, ул. Ленинградская, стр. 25
- (BY) Республика Беларусь
222750, Минская область, Дзержинский район, Р-1, 18-й км, 2 (около д. Слободка), помещение 1-34
- (KZ) Республика Казахстан
Республика Казахстан, индекс 050011, г. Алматы, ул. Пугачева 4
- (KG) Киргизская Республика
ОсОО "Т AND Т", 720021, Кыргызстан, Бишкек, ул. Ибраимова 29 А
- (AM) Республика Армения
ООО Эйч-Кон, Республика Армения, г. Ереван, ул. Бабаяна 10/1

Страна производства: см. маркировочную табличку на оборудовании.

Дата производства: см. маркировочную табличку на оборудовании.

Соответствующий сертификат можно найти по адресу: www.hilti.ru

Специальных требований к условиям хранения, транспортировки и использования, кроме указанных в руководстве по эксплуатации, нет.

Срок службы изделия составляет 5 лет.

- Ознакомьтесь с этим документом перед началом работы. Это является залогом безопасной работы и бесперебойной эксплуатации.
- Соблюдайте указания по технике безопасности и предупреждающие указания, приводимые в данном документе и на изделии.
- Храните руководство по эксплуатации всегда рядом с электроинструментом и передавайте электроинструмент будущим владельцам только вместе с этим руководством.

1.2 Пояснение к знакам (условным обозначениям)

1.2.1 Предупреждающие указания

Предупреждающие указания служат для предупреждения об опасностях при обращении с машиной. Используются следующие сигнальные слова:



ОПАСНО

ОПАСНО !

- Общее обозначение непосредственной опасной ситуации, которая влечет за собой тяжелые травмы или смертельный исход.





ПРЕДУПРЕЖДЕНИЕ

ПРЕДУПРЕЖДЕНИЕ !

- Общее обозначение потенциально опасной ситуации, которая может повлечь за собой тяжелые травмы или смертельный исход.



ОСТОРОЖНО

ОСТОРОЖНО !

- Общее обозначение потенциально опасной ситуации, которая может повлечь за собой легкие травмы или повреждение оборудования.

1.2.2 Символы, используемые в руководстве

В этом руководстве используются следующие символы:



Перед использованием прочтите руководство по эксплуатации.



Указания по эксплуатации и другая полезная информация



Обращение с материалами, пригодными для вторичной переработки



Не выбрасывайте электроустройства и аккумуляторы вместе с обычным мусором!

1.2.3 Символы на изображениях

На изображениях используются следующие символы:



Эти цифры указывают на соответствующее изображение в начале данного руководства.

3

Нумерация на изображениях отображает порядок выполнения рабочих операций и может отличаться от нумерации, используемой в тексте.



Номера позиций используются в **обзорном** изображении. В **обзоре изделия** они указывают на номера в экспликации.



Этот знак должен привлечь особое внимание пользователя при обращении с изделием.

1.3 Символы в зависимости от изделия

1.3.1 Символы на изделии

На изделии могут использоваться следующие символы:



Сверление без удара



Сверление с ударом

/min

оборотов в минуту

n_0

Номинальная частота вращения на холостом ходу



Постоянный ток

Li-Ion

Литий-ионный аккумулятор



Серия используемых литий-ионных аккумуляторов **Hilti**. Соблюдайте указания, приведенные в главе **Использование по назначению**.



Устройство поддерживает технологию NFC, совместимую с платформами iOS и Android.



Никогда не используйте аккумулятор в качестве ударного инструмента.





Не допускайте падения аккумулятора. Не используйте аккумулятор, который получил повреждения вследствие удара или каким-либо иным образом.

1.4 Информация об изделии

Изделия предназначены для профессионального использования, поэтому они должны обслуживаться и ремонтироваться только уполномоченным и обученным персоналом. Этот персонал должен пройти специальный инструктаж по технике безопасности. Использование изделия и его оснастки не по назначению или его эксплуатация необученным персоналом могут представлять опасность.

Типовое обозначение и серийный номер указаны на заводской табличке.

- ▶ Перепишите серийный номер в нижеприведенную табличную форму. Данные изделия необходимы при обращении в наше представительство или сервисный центр.

Указания к изделию

Аккумуляторный гайковерт	SID 14-A, SID 22-A
Аккумуляторный ударный гайковерт	SIW 14-A, SIW 22-A
Поколение:	01
Серийный номер:	

1.5 Декларация соответствия нормам

Настоящим мы с полной ответственностью заявляем, что данное изделие соответствует действующим директивам и нормам. Копию декларации соответствия нормам см. в конце этого документа.

Техническая документация (оригиналы) хранится здесь:

Hilti Entwicklungsgesellschaft mbH | Zulassung Geräte | Hiltistraße 6 | 86916 Kaufering, Германия

2 Безопасность

2.1 Общие указания по технике безопасности для электроинструментов

⚠ ПРЕДУПРЕЖДЕНИЕ Изучите все указания по технике безопасности, инструкции, иллюстрации и технические данные, которые прилагаются к данному электроинструменту. Несоблюдение приводимых ниже указаний может привести к поражению электрическим током, пожару и/или тяжелым травмам.

Сохраните все указания по технике безопасности и инструкции для следующего пользователя.

Используемый далее термин «электроинструмент» относится к электроинструменту, работающему от электрической сети (с кабелем электропитания) и от аккумулятора (без кабеля электропитания).

Безопасность рабочего места

- ▶ Следите за чистотой и хорошей освещенностью на рабочем месте. Беспорядок на рабочем месте или плохое освещение могут привести к несчастным случаям.
- ▶ Не используйте электроустройство/электроинструмент во взрывоопасной зоне, где имеются горючие жидкости, газы или пыль. При работе электроустройство/электроинструмент искрит, и искры могут воспламенить пыль или пары/газы.
- ▶ Не разрешайте детям и посторонним приближаться к работающему электроустройству/электроинструменту. Отвлекаясь от работы, можно потерять контроль над электроустройством/электроинструментом.

Электрическая безопасность

- ▶ Соединительная вилка электроинструмента должна соответствовать розетке электросети. Не изменяйте конструкцию вилки! Не используйте переходные вилки с электроинструментами с защитным заземлением. Использование оригинальных вилок и соответствующих им розеток снижает риск поражения электрическим током.
- ▶ Избегайте непосредственного контакта с заземленными поверхностями, например с трубами, отопительными приборами, газо-/электропластинами и холодильниками. При контакте с заземленными предметами возникает повышенный риск поражения электрическим током.
- ▶ Предохраняйте электроинструменты от дождя или воздействия влаги. В результате попадания воды в электроинструмент возрастает риск поражения электрическим током.
- ▶ Не используйте кабель электропитания не по назначению, например для переноски электроинструмента, его подвешивания или для выдергивания вилки из розетки электросети. Защищайте кабель электропитания от воздействий высоких температур, масла, острых кро-



мок или вращающихся деталей/узлов. В результате повреждения или схлестывания кабелей электропитания повышается риск поражения электрическим током.

- ▶ **Если работы с электроинструментом выполняются на открытом воздухе, применяйте только удлинительные кабели, которые разрешено использовать вне помещений.** Использование удлинительного кабеля, пригодного для использования вне помещений, снижает риск поражения электрическим током.
- ▶ **Если избежать работы с электроинструментом в условиях влажности не представляется возможным, используйте автомат защиты от тока утечки.** Использование автомата защиты от тока утечки снижает риск поражения электрическим током.

Безопасность персонала

- ▶ **Будьте внимательны, следите за своими действиями и серьезно относитесь к работе с электроинструментом. Не пользуйтесь электроинструментом, если вы устали или находитесь под действием наркотиков, алкоголя или медикаментов.** Незначительная ошибка при невнимательной работе с электроинструментом может стать причиной серьезного травмирования.
- ▶ **Используйте средства индивидуальной защиты и всегда надевайте защитные очки.** Использование средств индивидуальной защиты, например респиратора, защитной обуви на нескользящей подошве, защитной каски или защитных наушников, в зависимости от вида и условий эксплуатации электроинструмента, снижает риск травмирования.
- ▶ **Избегайте непреднамеренного включения электроинструмента. Убедитесь в том, что электроинструмент выключен, прежде чем подключить его к электропитанию и/или вставить аккумулятор, поднимать или переносить электроинструмент.** Ситуации, когда при переносе электроинструмента палец находится на выключателе или когда включенный электроинструмент подключается к электросети, могут привести к несчастным случаям.
- ▶ **Перед включением электроинструмента удалите регулировочные приспособления или гаечные ключи.** Рабочий инструмент или гаечный ключ, находящийся во вращающейся части электроинструмента, может стать причиной получения травм.
- ▶ **Старайтесь избегать неестественных поз при работе. Постоянно сохраняйте устойчивое положение и равновесие.** Это позволит лучше контролировать электроинструмент в непредвиденных ситуациях.
- ▶ **Носите спецодежду. Не надевайте очень свободную одежду или украшения. Оберегайте волосы, одежду и защитные перчатки от вращающихся узлов электроинструмента.** Свободная одежда, украшения и длинные волосы могут быть захвачены ими.
- ▶ **Если предусмотрено подсоединение устройств для удаления и сбора пыли, убедитесь в том, что они подсоединены и используются по назначению.** Использование пылеудаляющего аппарата снижает вредное воздействие пыли.
- ▶ **Не пребывайте в ложной уверенности в собственной безопасности и не пренебрегайте правилами техники безопасности для электроинструментов, даже если вы являетесь опытным пользователем электроинструмента.** Неосторожное обращение может в течение долей секунды стать причиной получения тяжелых травм.

Использование и обслуживание электроинструмента

- ▶ **Не допускайте перегрузки электроинструмента. Используйте электроинструмент, предназначенный именно для данной работы.** Соблюдение этого правила обеспечит более высокое качество и безопасность работы в заданном диапазоне мощности.
- ▶ **Не используйте электроинструмент с неисправным выключателем.** Электроинструмент, включение или выключение которого затруднено, представляет опасность и должен быть отремонтирован.
- ▶ **Прежде чем приступить к регулировке электроинструмента, замене принадлежностей или перед перерывом в работе выньте вилку из розетки и/или аккумулятор из электроинструмента.** Данная мера предосторожности позволит предотвратить непреднамеренное включение электроинструмента.
- ▶ **Храните неиспользуемые электроинструменты в местах, недоступных для детей. Не позволяйте использовать электроинструмент лицам, которые не ознакомлены с ним или не читали эти инструкции.** Электроинструменты представляют собой опасность в руках неопытных пользователей.
- ▶ **Бережно обращайтесь с электроинструментами и принадлежностями. Проверяйте безупречное функционирование подвижных частей, легкость их хода, целостность и отсутствие повреждений, которые могли бы отрицательно повлиять на работу электроинструмента. Сдавайте поврежденные части электроинструмента в ремонт до его использования.** Причиной многих несчастных случаев является несоблюдение правил технического обслуживания электроинструментов.



- ▶ **Необходимо следить за тем, чтобы режущие инструменты были острыми и чистыми.** Заклинивание содержащихся в надлежащем состоянии режущих инструментов происходит реже, ими легче управлять.
- ▶ **Применяйте электроинструмент, принадлежности (оснастку), рабочие инструменты и т. д. согласно данным указаниям. Учитывайте при этом рабочие условия и характер выполняемой работы.** Использование электроинструментов не по назначению может привести к опасным ситуациям.
- ▶ **Замасленные рукоятки и поверхности для хвата немедленно очищайте — они должны быть сухими и чистыми.** Скользкие рукоятки и поверхности для хвата не обеспечивают безопасное управление и контроль электроинструмента в непредвиденных ситуациях.

Использование и обслуживание аккумуляторного инструмента

- ▶ **Заряжайте аккумуляторы только с помощью зарядных устройств, рекомендованных изготовителем.** При использовании зарядного устройства для зарядки несоответствующих ему типов аккумуляторов существует опасность возгорания.
- ▶ **Используйте только оригинальные аккумуляторы, рекомендованные специально для этого электроинструмента.** Использование других аккумуляторов может привести к травмам и опасности возгорания.
- ▶ **Неиспользуемые аккумуляторы храните вдали от скрепок, монет, ключей, гвоздей, шурупов или других мелких металлических предметов, которые могут стать причиной замыкания контактов.** Замыкание контактов аккумулятора может привести к ожогам или возгоранию.
- ▶ **При неверном обращении с аккумулятором из него может вытечь электролит. Избегайте контакта с ним. При случайном контакте смойте водой. При попадании электролита в глаза немедленно обратитесь за помощью к врачу.** Вытекший из аккумулятора электролит может привести к раздражению кожи или ожогам.
- ▶ **Не используйте поврежденный или измененный аккумулятор.** Поврежденные или измененные аккумуляторы могут функционировать непредсказуемо и стать причиной возгорания, взрыва или травмирования.
- ▶ **Не подвергайте аккумулятор воздействию огня или слишком высоких температур.** Огонь или температура свыше 130 °C могут спровоцировать взрыв аккумулятора.
- ▶ **Соблюдайте все указания по зарядке и никогда не заряжайте аккумулятор или аккумуляторный инструмент вне температурного диапазона, указанного в руководстве по эксплуатации.** Неправильная зарядка/зарядка вне указанного в руководстве по эксплуатации температурного диапазона могут привести к разрушению аккумулятора и повышают опасность возгорания.

Сервис

- ▶ **Доверяйте ремонт своего электроинструмента только квалифицированному персоналу, использующему только оригинальные запчасти.** Этим обеспечивается поддержание электроинструмента в безопасном состоянии.
- ▶ **Категорически запрещается выполнять обслуживание поврежденных аккумуляторов.** Все технические работы с аккумуляторами должны выполняться только производителем или авторизованными сервисными мастерскими.

2.2 Указания по технике безопасности для шуруповерта и ударного гайковерта

- ▶ **При опасности повреждения заворачиваемым шурупом скрытой электропроводки держите электроинструмент за изолированные поверхности.** При контакте шурупа с токопроводом незащищенные металлические части электроинструмента находятся под напряжением, что может привести к удару электрическим током.

2.3 Дополнительные указания по технике безопасности при работе с гайковертом

Безопасность персонала

- ▶ **Используйте электроинструмент только в технически исправном состоянии.**
- ▶ **Внесение изменений в конструкцию электроинструмента или его модификация категорически запрещаются.**
- ▶ **Используйте дополнительные рукоятки, которые входят в комплект электроинструмента.** Потеря контроля над электроинструментом может привести к травмам.
- ▶ **Всегда надежно удерживайте электроинструмент обеими руками за предусмотренные для этого рукоятки.** Следите за тем, чтобы рукоятки были сухими и чистыми.
- ▶ **Не прикасайтесь к вращающимся деталям/узлам электроинструмента — опасность травмирования!**
- ▶ **При работе с электроинструментом надевайте подходящие защитные очки, защитную каску, защитные наушники, защитные перчатки и легкий респиратор.**



- ▶ При замене рабочего инструмента надевайте защитные перчатки. Соблюдайте осторожность при замене рабочего инструмента — контакт с ним может привести к порезам и ожогам.
- ▶ Пользуйтесь защитными очками. Осколки материала могут травмировать тело и глаза.
- ▶ Перед началом работы выясните по материалу заготовки класс опасности возникающей пыли. Для работы с электроинструментом используйте строительный (промышленный) пылесос, степень защиты которого соответствует нормам пылезащиты, действующим в месте эксплуатации. Пыль, возникающая при обработке лакокрасочных покрытий, содержащих свинец, некоторых видов древесины, бетона/кирпичной и каменной кладки с частицами кварца, минералов, а также металла может представлять опасность для здоровья.
- ▶ Обеспечьте оптимальную вентиляцию рабочей зоны и при необходимости надевайте респиратор, который подходит для защиты от конкретного вида пыли. Вдыхание частиц такой пыли или контакт с ней может стать причиной появления аллергических реакций и/или заболеваний дыхательных путей как у пользователя, так и находящихся вблизи лиц. Некоторые виды пыли (например, пыль, возникающая при обработке дуба или бука) считаются канцерогенными, особенно в комбинации с дополнительными материалами, используемыми для обработки древесины (соль хромовой кислоты, средства защиты древесины). К работам с асбестосодержащим материалом должны допускаться только специалисты.
- ▶ Чтобы во время работы руки не затекали, время от времени делайте упражнения для расслабления и разминки пальцев. При длительной работе возникающие вибрации могут привести к сбоям в кровоснабжении сосудов или в нервных окончаниях пальцев/кистей рук или в запястьях.

Электрическая безопасность

- ▶ Перед началом работы проверяйте рабочее место на наличие скрытой электропроводки, газо- и водопроводных труб. Открытые металлические части электроинструмента могут стать проводниками электрического тока, если случайно задеть электропроводку.

Бережное обращение с электроинструментами и их правильная эксплуатация

- ▶ Немедленно выключайте электроинструмент в случае блокировки рабочего инструмента. Электроинструмент может уводить в сторону.
- ▶ Дождитесь, пока электроинструмент полностью не остановится, прежде чем отложить его в сторону.

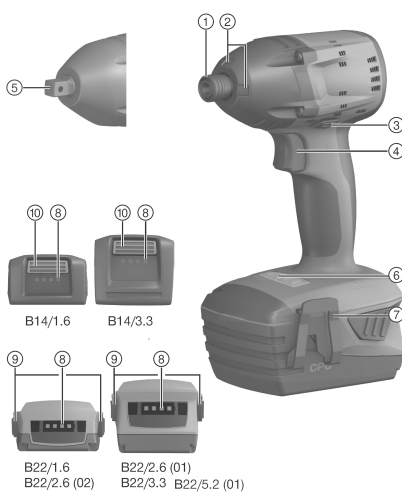
2.4 Аккуратное обращение с аккумуляторами и их правильное использование

- ▶ Соблюдайте специальные предписания по транспортировке, хранению и эксплуатации литий-ионных аккумуляторов.
- ▶ Храните аккумуляторы на безопасном расстоянии от источников высокой температуры/огня и не подвергайте их прямому воздействию солнечного излучения.
- ▶ Запрещается разбирать, сдавливать, нагревать до температуры свыше 80 °С или сжигать аккумулятор.
- ▶ Не используйте или не заряжайте аккумуляторы, которые подвергались ударам, падали с высоты более одного метра или получали какие-либо иные повреждения. При возникновении такой ситуации всегда обращайтесь в ближайший **сервисный центр Hiiti**.
- ▶ Слишком сильный нагрев аккумулятора (такой, что до него невозможно дотронуться) указывает на его возможный дефект. Поместите изделие в пожаробезопасное место на достаточном расстоянии от воспламеняющихся материалов, где вы сможете контролировать ситуацию, и дайте ему остыть. При возникновении такой ситуации всегда обращайтесь в ближайший **сервисный центр Hiiti**.



3 Описание

3.1 Обзор изделия



- ① Внутренний шестигранник (SID)
- ② Подсветка
- ③ Переключатель правого/левого вращения с блокировкой включения
- ④ Основной выключатель (с электронной регулировкой частоты вращения)
- ⑤ Наружный четырехгранник (SIW)
- ⑥ Переключатель крутящего момента
- ⑦ Крепежный крючок (опция)
- ⑧ Индикатор уровня заряда аккумулятора
- ⑨ Кнопки (де)блокировки (аккумулятор B22/...)
- ⑩ Кнопки (де)блокировки (аккумулятор B14/...)

3.2 Использование по назначению

Этот электроинструмент представляет собой ручной аккумуляторный ударный гайковерт. Он предназначен для заворачивания и выворачивания резьбовых соединительных элементов, гаек и анкерov с резьбой в древесине, металле, кирпичной кладке и бетоне.

Ударный гайковерт не предназначен для работ, при выполнении которых требуется точное соблюдение крутящего момента. В противном случае существует опасность перекручивания и повреждения крепежного элемента или заготовки.

- ▶ Используйте для этого электроинструмента только литий-ионные аккумуляторы **Hilti** серии B14 (SID/SIW 14-A) или B22 (SID/SIW 22-A).
- ▶ Для зарядки этих аккумуляторов используйте только зарядные устройства **Hilti** серии C4/36.

3.3 Индикатор уровня заряда

Уровень заряда литий-ионного аккумулятора отображается после легкого нажатия кнопки (де) блокировки (до ощутимого сопротивления).

Состояние	Значение
Горят 4 светодиода.	Уровень заряда: от 75 % до 100 %
Горят 3 светодиода.	Уровень заряда: от 50 % до 75 %
Горят 2 светодиода.	Уровень заряда: от 25 % до 50 %
Горит 1 светодиод.	Уровень заряда: от 10 % до 25 %
Мигает 1 светодиод.	Уровень заряда: < 10 %



При нажатом выключателе и в течение макс. 5 секунд после его отпускания запрос уровня заряда невозможен.

3.4 Комплект поставки

Ударный гайковерт, руководство по эксплуатации.



Допущенные нами запасные части, расходные материалы и принадлежности для данного изделия вы можете найти в **Hilti Store** или на сайте www.hilti.group | США: www.hilti.com



4 Ударный гайковерт

		SID 14-A	SIW 14-A
Номинальное напряжение		14,4 В	14,4 В
Масса согласно EPTA Procedure-01		1,6 кг	1,6 кг
Расчетная частота вращения без нагрузки	Положение I	0 об/мин ... 1 000 об/мин	0 об/мин ... 1 000 об/мин
	Положение II	0 об/мин ... 1 500 об/мин	0 об/мин ... 1 500 об/мин
	Положение III	0 об/мин ... 2 500 об/мин	0 об/мин ... 2 300 об/мин
Частота ударов		≤ 3 100 1/мин	≤ 3 400 1/мин
Регулировка крутящего момента		3 ступени	3 ступени
Большие стандартные болты		M8 – M16	M8 – M16
Большие высокопрочные болты		M6 – M12	M6 – M12
Зажимной патрон		Внутренний шестигранник 1/4" с манжетой	Наружный четырехгранник 1/2" с полусферой или наружный четырехгранник 3/8" со стопорным кольцом
Температура окружающей среды при эксплуатации		-17 °C ... 60 °C	-17 °C ... 60 °C
Температура хранения		-20 °C ... 70 °C	-20 °C ... 70 °C

		SID 22-A	SIW 22-A
Номинальное напряжение		21,6 В	21,6 В
Масса согласно EPTA Procedure-01		2,1 кг	2,1 кг
Расчетная частота вращения без нагрузки	Положение I	0 об/мин ... 1 000 об/мин	0 об/мин ... 1 000 об/мин
	Положение II	0 об/мин ... 1 500 об/мин	0 об/мин ... 1 500 об/мин
	Положение III	0 об/мин ... 2 500 об/мин	0 об/мин ... 2 300 об/мин
Частота ударов		≤ 3 450 1/мин	≤ 3 500 1/мин
Регулировка крутящего момента		3 ступени	3 ступени
Большие стандартные болты		M8 – M16	M8 – M16
Большие высокопрочные болты		M6 – M12	M6 – M12
Зажимной патрон		Внутренний шестигранник 1/4" с манжетой	Наружный четырехгранник 1/2" с полусферой или наружный четырехгранник 3/8" со стопорным кольцом
Температура окружающей среды при эксплуатации		-17 °C ... 60 °C	-17 °C ... 60 °C
Температура хранения		-20 °C ... 70 °C	-20 °C ... 70 °C

4.1 Данные по шуму и вибрациям согласно EN 62841

Приводимые здесь значения уровня звукового давления и вибрации были измерены согласно стандартизированной процедуре измерения и могут использоваться для сравнения электроинструментов между собой. Они также подходят для предварительной оценки вредных воздействий.

Указанные данные применимы к основным областям применения электроинструмента. Однако, если электроинструмент используется для других целей, с другими рабочими (сменными) инструментами или в случае его неудовлетворительного технического обслуживания, данные могут быть иными. Вследствие этого в течение всего периода работы электроинструмента возможно значительное увеличение вредных воздействий.

Для точного определения вредных воздействий следует также учитывать промежутки времени, в течение которых электроинструмент находится в выключенном состоянии или работает вхолостую. Вследствие этого в течение всего периода работы электроинструмента возможно заметное уменьшение вредных воздействий.



Примите дополнительные меры безопасности для защиты пользователя от воздействия возникающего шума и/или вибраций, например: техническое обслуживание электроинструмента и рабочих (сменных) инструментов, сохранение тепла рук, правильная организация рабочих процессов.

Данные о шуме

	SID 14-A	SIW 14-A	SID 22-A	SIW 22-A
Уровень звуковой мощности (L_{WA})	94 дБ(А)	94 дБ(А)	97 дБ(А)	97 дБ(А)
Погрешность уровня звуковой мощности (K_{WA})	3 дБ(А)	3 дБ(А)	3 дБ(А)	3 дБ(А)
Значение уровня звукового давления (L_{pA})	83 дБ(А)	83 дБ(А)	86 дБ(А)	86 дБ(А)
Погрешность уровня звукового давления (K_{pA})	3 дБ(А)	3 дБ(А)	3 дБ(А)	3 дБ(А)

Общие значения вибрации

	SID 14-A	SIW 14-A	SID 22-A	SIW 22-A
Значение вибрации при затяжке болтов и гаек максимально допустимого размера (a_n)	7,5 м/с ²	7,5 м/с ²	11 м/с ²	11 м/с ²
Погрешность при затяжке болтов и гаек максимально допустимого размера	1,5 м/с ²	1,5 м/с ²	1,5 м/с ²	1,5 м/с ²

4.2 Регулировка крутящего момента

Путем выбора соответствующего положения переключателя крутящего момента задается нужный крутящий момент.

Модель SID ...

SID 14-A
SID 22-A

		Модель	
		SID 14-A	SID 22-A
Крутящий момент	Положение I	50 Н·м	60 Н·м
	Положение II	100 Н·м	110 Н·м
	Положение III	150 Н·м	165 Н·м

Модель SIW ...

SIW 14-A
SIW 22-A

		SIW 14-A	
		Наружный четырехгранник 1/2" с полусферой	Наружный четырехгранник 3/8" со стопорным кольцом
Крутящий момент	Положение I	80 Н·м	65 Н·м
	Положение II	120 Н·м	115 Н·м
	Положение III	185 Н·м	160 Н·м

		SIW 22-A	
		Наружный четырехгранник 1/2" с полусферой	Наружный четырехгранник 3/8" со стопорным кольцом
Крутящий момент	Положение I	90 Н·м	75 Н·м
	Положение II	135 Н·м	120 Н·м
	Положение III	200 Н·м	175 Н·м



4.3 Аккумулятор 14,4 В

Рабочее напряжение аккумулятора	14,4 В
Температура окружающей среды	-10 °C ... 60 °C
Температура хранения	-20 °C ... 40 °C

4.4 Аккумулятор 21,6 В

Рабочее напряжение аккумулятора	21,6 В
Температура окружающей среды	-17 °C ... 60 °C
Температура хранения	-20 °C ... 40 °C

5 Подготовка к работе**⚠ ОСТОРОЖНО****Опасность травмирования вследствие непреднамеренного пуска!**

- ▶ Перед установкой аккумулятора убедитесь в том, что соответствующий электроинструмент выключен.
- ▶ Прежде чем приступить к регулировке электроинструмента или замене принадлежностей выньте аккумулятор из электроинструмента.

Соблюдайте указания по технике безопасности и предупреждающие указания, приводимые в данном документе и на изделии.

5.1 Зарядка аккумулятора

1. Перед зарядкой изучите руководство по эксплуатации зарядного устройства.
2. Убедитесь в том, что контакты аккумулятора и зарядного устройства чистые и сухие.
3. Заряжайте аккумулятор только в допущенном к эксплуатации зарядном устройстве.

5.2 Установка аккумулятора**⚠ ОСТОРОЖНО****Опасность травмирования вследствие короткого замыкания или падения аккумулятора!**

- ▶ Перед установкой аккумулятора убедитесь в чистоте его контактов и контактов инструмента.
- ▶ Всегда проверяйте, правильно ли зафиксирован аккумулятор.

1. Перед первым вводом в эксплуатацию полностью зарядите аккумулятор.
2. Установите и зафиксируйте аккумулятор в креплении на электроинструменте (при правильной фиксации слышен характерный щелчок).
3. Проверьте надежность фиксации аккумулятора.

5.3 Извлечение аккумулятора

1. Нажмите кнопки (де)блокировки аккумулятора.
2. Извлеките аккумулятор из электроинструмента.

5.4 Установка крепежного крючка (опция) 2**⚠ ПРЕДУПРЕЖДЕНИЕ****Опасность травмирования** Опасность вследствие падения электроинструмента.

- ▶ Падение электроинструмента может стать причиной вашего травмирования и травмирования окружающих. Перед началом работы убедитесь в том, что крепежный крючок надежно закреплен.

i С помощью крепежного крючка электроинструмент можно закрепить и носить при себе на ремне. Крепежный крючок можно установить как слева, так и справа.

1. Извлеките аккумулятор. → страница 84



2. Вставьте крепежный крючок в предназначенный для него проем в основании гайковерта.
3. Закрепите крепежный крючок с помощью двух винтов.

5.5 Установка рабочего инструмента 3

SID 14-A
SID 22-A

1. Проверьте хвостовик рабочего инструмента, он должен быть чистым.
 - ▶ При необходимости очистите хвостовик.
2. Установите переключатель правого/левого вращения в среднее положение или отсоедините аккумулятор от электроинструмента.
3. Вставьте рабочий инструмент до упора в зажимной патрон до фиксации.
4. Перед вводом в эксплуатацию проверьте рабочий инструмент на надежность фиксации и правильность посадки.

5.6 Установка рабочего инструмента 4

SIW 14-A
SIW 22-A

1. Проверьте хвостовик рабочего инструмента, он должен быть чистым.
 - ▶ При необходимости очистите хвостовик.
2. Установите переключатель правого/левого вращения в среднее положение или отсоедините аккумулятор от электроинструмента.
3. Выровняйте боковое отверстие в рабочем инструменте относительно полусферы на зажимном патроне.
4. Надавите на рабочий инструмент в зажимном патроне до фиксации (щелчка).
5. Перед вводом в эксплуатацию проверьте рабочий инструмент на надежность фиксации и правильность посадки.

5.7 Установка рабочего инструмента 5

SIW 22-A

ОСТОРОЖНО

Опасность травмирования вследствие неподходящего инструмента!

- ▶ Используйте только те рабочие инструменты, которые надежно фиксируются.
- ▶ Не используйте изношенные или поврежденные рабочие инструменты.

1. Установите переключатель правого/левого вращения в среднее положение или отсоедините аккумулятор от электроинструмента.
2. Извлеките кольцо круглого сечения из паза зажимной втулки.
3. Выньте стопорный штифт.
4. Установите зажимную втулку на четырехгранник привода электроинструмента.



Убедитесь в том, что отверстия под стопорное кольцо на четырехграннике привода и зажимной втулке совпадают.

5. Вставьте стопорный штифт в зажимную втулку.
6. Установите кольцо круглого сечения на зажимную втулку.
7. Перед вводом в эксплуатацию проверьте рабочий инструмент на надежность фиксации и правильность посадки.

6 Управление

Соблюдайте указания по технике безопасности и предупреждающие указания, приводимые в данном документе и на изделии.



6.1 Регулировка крутящего момента

- ▶ Нажимайте переключатель крутящего момента до тех пор, пока не увидите нужную ступень крутящего момента слева рядом с переключателем крутящего момента.

SID 14-A
SID 22-A

Модель SID ... → страница 83

SIW 14-A
SIW 22-A

Модель SIW ... → страница 83

6.2 Регулировка правого/левого вращения



Переключению при работающем электродвигателе препятствует блокировочный механизм. В среднем положении основной выключатель заблокирован (блокировка включения).

- ▶ Установите переключатель правого/левого вращения на нужное направление вращения.

6.3 Включение

- ▶ Нажмите выключатель.
 - ▶ Частота вращения регулируется посредством различной степени нажима.

6.4 Заворачивание



ОСТОРОЖНО

Опасность травмирования вследствие поврежденных заготовок! При слишком большом крутящем моменте шурупы или заготовка могут быть повреждены. Это может привести к получению травм.

- ▶ Убедитесь в том, что шурупы и обрабатываемая деталь соответствуют крутящему моменту, который генерирует электроинструмент.

1. Установите переключатель правого/левого вращения в среднее положение или отсоедините аккумулятор от электроинструмента.
2. Установите с помощью переключателя крутящего момента нужный крутящий момент.
→ страница 86

6.5 Выключение

- ▶ Отпустите выключатель.

6.6 Снятие рабочего инструмента

SID 14-A
SID 22-A



ОСТОРОЖНО

Опасность травмирования рабочим инструментом! Рабочий инструмент может нагреваться или иметь острые кромки.

- ▶ При работе с электроинструментом и при замене рабочих инструментов надевайте защитные перчатки.

1. Установите переключатель левого/правого вращения в среднее положение или отсоедините аккумулятор от электроинструмента.
2. Потяните кольцо зажимного патрона на себя и зафиксируйте его.
3. Вытяните рабочий инструмент из патрона.
4. Отпустите кольцо зажимного патрона.



6.7 Снятие рабочего инструмента

SIW 14-A
SIW 22-A

ОСТОРОЖНО

Опасность травмирования рабочим инструментом! Рабочий инструмент может нагреваться или иметь острые кромки.

- ▶ При работе с электроинструментом и при замене рабочих инструментов надевайте защитные перчатки.
-
1. Установите переключатель левого/правого вращения в среднее положение или отсоедините аккумулятор от инструмента.
 2. Вытяните рабочий инструмент из зажимного патрона.

6.8 Снятие рабочего инструмента

SIW 22-A

1. Установите переключатель правого/левого вращения в среднее положение или отсоедините аккумулятор от электроинструмента.
2. Извлеките кольцо круглого сечения из паза зажимной втулки.
3. Извлеките стопорный штифт.
4. Снимите зажимную втулку с четырехгранника привода электроинструмента.
5. Установите стопорный штифт.
6. Установите кольцо круглого сечения для фиксации на зажимной втулке.

7 Уход и техническое обслуживание

ПРЕДУПРЕЖДЕНИЕ

Опасность травмирования при установленном аккумуляторе !

- ▶ Перед проведением любых работ по уходу и обслуживанию всегда извлекайте аккумулятор!

Уход за электроинструментом

- Осторожно удаляйте налипшую грязь.
- Осторожно очищайте вентиляционные прорези сухой щеткой.
- Очищайте корпус только с использованием слегка увлажненной ткани. Не используйте средства по уходу с содержанием силикона, так как они могут повредить пластмассовые детали.

Уход за литий-ионными аккумуляторами

- Аккумулятор должен быть чистым, без следов масла и смазки.
- Очищайте корпус только с помощью слегка увлажненной ткани. Не используйте средства по уходу с содержанием силикона, так как они могут повредить пластмассовые детали.
- Не допускайте попадания влаги внутрь инструмента.

Техническое обслуживание

- Регулярно проверяйте все видимые части электроинструмента на отсутствие повреждений, а элементы управления — на исправное функционирование.
- При повреждениях и/или функциональных сбоях не используйте электроинструмент. Сразу сдавайте его в сервисный центр **Hilti** для ремонта.
- После ухода за электроинструментом и его технического обслуживания установите все защитные приспособления на место и проверьте их исправное функционирование.



Для обеспечения безопасной эксплуатации используйте только оригинальные запасные части и расходные материалы. Допущенные нами запасные части, расходные материалы и принадлежности для данного устройства вы можете найти в **Hilti Store** или на сайте **www.hilti.group**.



8 Транспортировка и хранение аккумуляторных электроинструментов

Транспортировка

ОСТОРОЖНО

Непреднамеренное включение в ходе транспортировки !

- ▶ При транспортировке своих электроинструментов всегда отсоединяйте от них аккумуляторы!
- ▶ Извлеките аккумуляторы.
- ▶ Категорически запрещается транспортировать аккумуляторы без упаковки (бестарным способом).
- ▶ После продолжительной транспортировки проверяйте электроинструмент и аккумуляторы перед использованием на отсутствие повреждений.

Хранение

ОСТОРОЖНО

Непреднамеренное повреждение вследствие неисправных или протекающих аккумуляторов !

- ▶ При хранении своих электроинструментов всегда отсоединяйте от них аккумуляторы!
- ▶ По возможности храните электроинструмент и аккумуляторы в сухом и прохладном месте.
- ▶ Никогда не оставляйте аккумуляторы на солнце, на нагревательных/отопительных элементах или за стеклом.
- ▶ Храните электроинструмент и аккумуляторы в сухом виде в недоступном для детей и других лиц, не допущенных к работе с электроинструментом, месте.
- ▶ После длительного хранения перед использованием проверяйте электроинструмент и аккумуляторы на отсутствие повреждений.

9 Помощь при неисправностях


В случае неисправностей, которые не указаны в этой таблице или которые вы не можете устранить самостоятельно, обращайтесь в ближайший сервисный центр **Hilti**.

9.1 Помощь при неисправностях

Неисправность	Возможная причина	Решение
Электроинструмент не функционирует.	Аккумулятор вставлен не полностью.	▶ Вставьте аккумулятор. → страница 84
	Аккумулятор разряжен.	▶ Зарядите аккумулятор. → страница 84
Основной выключатель не включается/заблокирован.	Переключатель правого/левого вращения находится в среднем положении.	▶ Отрегулируйте переключатель правого/левого вращения. → страница 86
Резко падает частота вращения.	Аккумулятор разряжен.	▶ Зарядите аккумулятор. → страница 84
Аккумулятор разряжается быстрее, чем обычно.	Очень низкая температура окружающей среды.	▶ Обеспечьте постепенный нагрев аккумулятора до комнатной температуры.
При установке аккумулятора не слышно характерного (двойного) щелчка.	Грязь на фиксирующих выступках аккумулятора.	▶ Очистите фиксирующие выступы и вставьте аккумулятор с фиксацией. Обратитесь в сервисный центр Hilti , если проблема не устранена.
Электроинструмент или аккумулятор перегреваются.	Неисправность электрики.	▶ Немедленно выключите электроинструмент, извлеките аккумулятор и наблюдайте за ним, дайте ему остыть и свяжитесь с сервисной службой Hilti .
	Электроинструмент перегружен (работа за пределами эксплуатационных характеристик).	▶ Выберите подходящий электроинструмент для области применения.



10 Утилизация

 Большинство материалов, из которых изготовлены изделия **Hilti**, подлежит вторичной переработке. Перед утилизацией следует тщательно рассортировать материалы (для удобства их последующей переработки). Во многих странах фирма **Hilti** уже организовала прием бывших в использовании электрических и электронных устройств для утилизации. Дополнительную информацию по этому вопросу можно получить в отделе по обслуживанию клиентов или у консультантов по продажам фирмы **Hilti**.

Утилизация аккумуляторов

Вследствие выхода газов или жидкостей при неправильной утилизации аккумуляторов возможна угроза для здоровья.

- ▶ Не пересылайте поврежденные аккумуляторы!
- ▶ Закрывайте аккумуляторные контакты не проводящим ток материалом, чтобы избежать коротких замыканий.
- ▶ Утилизируйте аккумуляторы так, чтобы исключить их попадание в руки детей.
- ▶ Утилизируйте аккумулятор через ближайший **Hilti Store** или обратитесь в специализированную фирму по утилизации.



- ▶ Не выбрасывайте электрические инструменты, электронные устройства/приборы и аккумуляторы вместе с обычным мусором!

11 RoHS (Директива об ограничении применения опасных веществ)

По этим ссылкам доступна таблица опасных веществ: qr.hilti.com/r4923, qr.hilti.com/r4922, qr.hilti.com/r4927 и qr.hilti.com/r4926.

Ссылку в виде QR-кода на таблицу опасных веществ согласно директиве RoHS см. в конце этого документа.

12 Гарантия производителя

- ▶ С вопросами относительно гарантийных условий обращайтесь в ближайшее представительство **Hilti**.

Orijinal kullanım kılavuzu

1 Dokümantasyon verileri

1.1 Bu doküman için

- Çalıştırmadan önce bu dokümanı okuyunuz. Bu, güvenli çalışma ve arızasız kullanım için ön koşuldur.
- Bu dokümanda ve ürün üzerinde bulunan güvenlik ve uyarı bilgilerine dikkat ediniz.
- Kullanım kılavuzunu her zaman ürün üzerinde bulundurunuz ve ürünü sadece bu kılavuz ile birlikte başka kişilere veriniz.

1.2 Resim açıklaması

1.2.1 Uyarı bilgileri

Uyarı bilgileri, ürün ile çalışırken ortaya çıkabilecek tehlikelere karşı uyarır. Aşağıdaki uyarı metinleri kullanılır:



TEHLİKE

TEHLİKE !

- ▶ Ağır vücut yaralanmalarına veya doğrudan ölüme sebep olabilecek tehlikeler için.



İKAZ

İKAZ !

- ▶ Ağır yaralanmalara veya ölüme neden olabilecek tehlikeler için.







⚠ DİKKAT**DİKKAT !**

► Hafif vücut yaralanmalarına veya maddi hasarlara yol açabilecek olası tehlikeli durumlar için.


1.2.2 Dokümandaki semboller

Bu dokümanda aşağıdaki semboller kullanılmıştır:

	Kullanmadan önce kullanım kılavuzunu okuyunuz
	Kullanım uyarıları ve diğer gerekli bilgiler
	Geri dönüşümlü malzemeler ile çalışma
	Elektrikli aletleri ve aküleri evdeki çöplere atmayınız








1.2.3 Resimlerdeki semboller

Resimlerde aşağıdaki semboller kullanılmıştır:

2	Bu sayılar, kılavuzun başlangıcındaki ilgili resimlere atanmıştır
3	Numaralandırma, resimdeki çalışma adımlarının sırasını göstermektedir ve metindeki çalışma adımlarından farklı olabilir
11	Pozisyon numaraları Genel bakış resminde kullanılır ve Ürüne genel bakış bölümündeki açıklama numaralarına referans niteliğindedir
	Bu işaret, ürün ile çalışırken dikkatinizi çekmek için koyulmuştur.

1.3 Ürüne bağlı semboller**1.3.1 Üründeki semboller**

Üründe aşağıdaki semboller kullanılabilir:

	Darbesiz delme
	Darbeli delme
/min	Dakika başına devir
n_0	Ölçüm rölanti devir sayısı
	Doğru akım
Li-Ion	Lityum İyon akü
	Kullanılan Hilti Lityum İyon akü tip serisi. Usulüne uygun kullanım bölümündeki bilgileri dikkate alınız.
	Alet, iOS ve Android platformları ile uyumlu NFC teknolojisini destekler.
	Aküyü asla darbe aleti olarak kullanmayınız.
	Aküyü düşürmeyiniz. Darbe almış veya hasar görmüş bir aküyü kullanmayınız.

1.4 Ürün bilgileri

HILTI ürünleri profesyonel kullanıcıların kullanımı için öngörülmüştür ve sadece yetkili personel tarafından kullanılabilir ve bakımı yapılabilir. Bu personel, meydana gelebilecek tehlikeler hakkında özel



olarak eğitim görmüş olmalıdır. Aletin ve ilgili yardımcı gereçlerin eğitimsiz personel tarafından usulüne uygun olmayan şekilde kullanılması ve amaçları dışında çalıştırılması sonucu tehlikeli durumlar söz konusu olabilir.

Tip tanımı ve seri numarası, tip plakası üzerinde belirtilmiştir.

- Seri numarasını aşağıdaki tabloya aktarınız. Ürün bilgileri acente veya servis merkezini aradığınızda sorulabilir.

Ürün bilgileri

Akülü vidalama makinesi	SID 14-A, SID 22-A
Akülü darbeli vidalama makinesi	SIW 14-A, SIW 22-A
Nesil:	01
Seri no.:	

1.5 Uygunluk beyanı

Burada tanımlanan ürünün, geçerli yönetmeliklere ve normlara uygun olduğunu kendi sorumluluğumuzda beyan ederiz. Bu dokümantasyonun sonunda uygunluk beyanının bir kopyasını bulabilirsiniz.

Teknik dokümantasyonlar eklidir:

Hilti Entwicklungsgesellschaft mbH | Zulassung Geräte | Hiltistraße 6 | 86916 Kaufering, DE

2 Güvenlik

2.1 Elektrikli el aletleri için genel güvenlik uyarıları

⚠ İKAZ Bu elektrikli el aletine yönelik tüm güvenlik uyarılarını, talimatları, resimli açıklamaları ve teknik verileri dikkatlice okuyunuz. Aşağıdaki talimatlara uyulmaması durumunda elektrik çarpması, yangın ve/veya ağır yaralanmalar söz konusu olabilir.

Tüm güvenlik uyarılarını ve kullanım talimatlarını muhafaza ediniz.

Güvenlik uyarılarında kullanılan "Elektrikli el aleti terimi, şebeke işletimli elektrikli el aletleri (şebeke kablosu ile) veya akü işletimli elektrikli el aletleri (şebeke kablosu olmadan) ile ilgilidir.

İş yeri güvenliği

- **Çalışma alanınızı temiz ve aydınlık tutunuz.** Düzensiz veya aydınlatma olmayan çalışma alanları kazalara yol açabilir.
- **Yanıcı sıvıların, gazların veya tozların bulunduğu patlama tehlikesi olan yerlerde elektrikli el aleti ile çalışmayınız.** Elektrikli el aletleri, toz veya buhar yakabilecek kıvılcım oluşturur.
- **Elektrikli el aletinin kullanırken çocukları ve diğer kişileri uzak tutunuz.** Dikkatiniz dağılırsa aletin kontrolünü kaybedebilirsiniz.

Elektrik güvenliği

- **Elektrikli el aletinin bağlantı fişi prize uygun olmalıdır. Fiş hiçbir şekilde değiştirilmemelidir. Adaptör fişini topraklama korumalı elektrikli el aletleri ile birlikte kullanmayınız.** Değiştirilmemiş fişler ve uygun prizler elektrik çarpması riskini azaltır.
- **Borular, radyatörler, fırınlar ve buzdolapları gibi toprağa temas eden üst yüzeylere vücudunuzla temas etmekten kaçınınız.** Vücudunuzun toprakla teması var ise yüksek bir elektrik çarpması riski söz konusudur.
- **Elektrikli el aletini yağmurdan veya ıslaklıktan uzak tutunuz.** Elektrikli el aletine su girmesi, elektrik çarpması riskini artırır.
- **Elektrikli el aletini taşımak, asmak veya fişi prizden çekmek için bağlantı kablosunu kullanım amacı dışında kullanmayınız. Bağlantı kablosunu sıcağtan, yağdan, keskin kenarlardan ve hareketli parçalardan uzak tutunuz.** Hasarlı veya dolanmış bağlantı kabloları elektrik çarpması riskini artırır.
- **Elektrikli bir el aleti ile açık alanda çalışacaksanız, sadece dışarıda kullanımına izin verilen uzatma kabloları kullanınız.** Dış mekanlar için uygun olan uzatma kablolarının kullanılması elektrik çarpması riskini azaltır.
- **Elektrikli el aleti işletiminin nemli ortamda yapılması kaçınılmaz ise bir kaçak akım koruma şalteri kullanınız.** Bir kaçak akım koruma şalterinin kullanımı elektrik çarpması riskini azaltır.

Kişilerin güvenliği

- **Dikkatli olunuz, ne yaptığınıza dikkat ediniz ve elektrikli el aleti ile mantıklı bir şekilde çalışınız. Yorgunsanız veya uyuşturucu, alkol veya ilaç etkisi altında olduğunuzda elektrikli el aleti kullanmayınız.** Elektrikli el aletini kullanırken bir anlık dikkatsizlik ciddi yaralanmalara neden olabilir.
- **Kişisel koruyucu donanım ve her zaman bir koruyucu gözlük takınız.** Elektrikli el aletinin türüne ve kullanımına göre toz maskesi, kaymayan güvenlik ayakkabısı, koruyucu kask veya kulaklık gibi kişisel koruyucu donanımların kullanılması yaralanma riskini azaltır.



- ▶ **İstem dışı çalışmayı önleyiniz. Güç kaynağına ve/veya aküyü bağlamadan, girişini yapmadan veya taşımadan önce elektrikli el aletinin kapalı olduğundan emin olunuz.** Elektrikli el aletini taşırken parmağınız şalterde ise veya alet açık konumda güç kaynağına takılırsa bu durum kazalara yol açabilir.
- ▶ **Elektrikli el aletini devreye almadan önce ayar aletlerini veya vidalama anahtarlarını çıkartınız.** Dönen bir alet parçasında bulunan bir alet veya anahtar yaralanmalara yol açabilir.
- ▶ **Aşırı bir vücut hareketinden sakınınız. Güvenli bir duruş sağlayınız ve her zaman dengeli tutunuz.** Böylece beklenmedik durumlarda elektrikli el aletini daha iyi kontrol edebilirsiniz.
- ▶ **Uygun kıyafetler giyiniz. Bol kıyafetler giymeyiniz veya takı takmayınız. Saçları, kıyafetleri ve eldivenleri hareket eden parçalardan uzak tutunuz.** Bol kıyafetler, takı veya uzun saçlar hareket eden parçalara takılabilir.
- ▶ **Toz emme ve tutma tertibatları monte edilebiliyorsa bunların bağlı olduğundan ve doğru kullanıldığından emin olunuz.** Bu toz emme tertibatının kullanımı tozdan kaynaklanabilecek tehlikeleri azaltabilir.
- ▶ **Kendi güvenliğinizi riske atmayınız ve elektrikli el aletleri kullanımında son derece tecrübeli olsanız bile ilgili güvenlik kurallarını ihlal etmeyiniz.** Dikkatsiz kullanım saniyeler içerisinde ciddi yaralanmalara neden olabilir.

Elektrikli el aletinin kullanımı ve çalıştırılması

- ▶ **Aleti çok fazla zorlamayın. Çalışmanız için uygun olan elektrikli el aletini kullanın.** Uygun elektrikli el aleti ile bildirilen hizmet alanında daha iyi ve güvenli çalışırsınız.
- ▶ **Şalteri bozuk olan elektrikli el aletini kullanmayınız.** Açılıp kapatılmayan bir elektrikli el aleti tehlikelidir ve tamir edilmesi gerekir.
- ▶ **Alet ayarlarını yapmadan, aksesuar parçalarını değiştirmeden veya aleti bir yere koymadan önce fişi prizden ve/veya (çıkarılabilir) aküyü aletten çıkarınız.** Bu önlem, elektrikli el aletinin istem dışı çalışmasını engeller.
- ▶ **Kullanılmayan elektrikli el aletlerini çocukların erişemeyeceği yerde muhafaza edin. Aleti iyi tanımayan veya bu talimatları okumamış kişilere aleti kullandırmayınız.** Elektrikli el aletleri bilgisiz kişiler tarafından kullanılırsa tehlikelidir.
- ▶ **Elektrikli el aletlerinin ve aksesuarlarının bakımını titizlikle yapınız. Hareketli parçaların kusursuz çalıştığı ve sıkışmadığı, parçaların kırılıp kırılmadığı veya hasar görüp görmediği, elektrikli el aleti fonksiyonlarının kısıtlanma durumlarını kontrol ediniz. Hasarlı parçaları aleti kullanmadan önce tamir ettiriniz.** Birçok kazanın nedeni bakımı kötü yapılan elektrikli el aletleridir.
- ▶ **Kesme aletlerini keskin ve temiz tutun.** Özenle bakımı yapılmış keskin bıçak kenarı olan kesme aletleri daha az sıkışır ve kullanımı daha rahattır.
- ▶ **Elektrikli el aletini, aksesuarları, ek aletleri vb. bu talimatlara göre kullanın. Çalışma şartlarını ve yapılacak işi de ayrıca göz önünde bulundurun.** Elektrikli el aletlerinin öngörülen kullanımı dışında kullanılması tehlikeli durumlara yol açabilir.
- ▶ **Tutamağı ve tutamak yüzeylerini daima temiz ve yağ ve gresten arındırılmış durumda tutunuz.** Kaygan tutamaklar ve tutamak yüzeyleri güvenli bir kullanımı ve öngörülemez durumlarda elektrikli el aletinin kontrolünü engeller.

Akülü el aletinin kullanımı ve çalıştırılması

- ▶ **Aküler sadece üretici tarafından tavsiye edilen şarj cihazları ile şarj ediniz.** Belirli bir akü için uygun olan bir şarj cihazı, başka akülerle kullanılırsa yanma tehlikesi vardır.
- ▶ **Elektrikli el aletlerinde sadece bunun için öngörülen aküler kullanılmalıdır.** Başka akülerin kullanılması yaralanmalara ve yanma tehlikelerine yol açabilir.
- ▶ **Kullanılmayan aküleri, kontakların köprülmesine sebep olabilecek ataçlar, madeni paralar, anahtarlar, çiviler, vidalar veya diğer küçük metal cisimlerden uzak tutunuz.** Akü kontakları arasındaki kısa devre yanmalara veya alev oluşumuna sebep olabilir.
- ▶ **Yanlış kullanımda aküden sıvı çıkabilir. Bunlar ile teması önleyiniz. Yanlışlıkla temasta su ile durulayınız. Sıvı gözlerle temas ederse ayrıca doktor yardımı isteyiniz.** Dışarı akan akü sıvısı cilt tahrişine ve yanmalarına yol açabilir.
- ▶ **Hasarlı veya değiştirilmiş aküleri kullanmayınız.** Hasarlı veya değiştirilmiş aküler öngörülemez şekilde yangın, patlama veya yaralanma tehlikesi içeren tutumlara neden olabilir.
- ▶ **Aküler açık ateş yakınına koymayınız veya yüksek sıcaklıklara maruz bırakmayınız.** Açık ateş veya 130°C'nin (265°F) üzerinde sıcaklıklar patlama tehlikesine neden olabilir.
- ▶ **Tüm şarj talimatlarına uyunuz ve aküyü veya akülü aleti kullanım kılavuzunda öngörülen sıcaklık aralığının dışında şarj etmeyiniz.** Hatalı şarj veya öngörülen sıcaklık aralığının dışındaki şarj işlemleri akünün zarar görmesine ve yangın tehlikesine neden olabilir.

Servis

- ▶ **Elektrikli el aletinizi sadece kalifiye uzman personele ve sadece orijinal yedek parçalar ile tamir ettiriniz.** Böylece aletin güvenliğini korunduğundan emin olunur.



- ▶ **Hasarlı akülere bakım yapmayınız.** Akülere yönelik tüm bakım çalışmaları sadece üretici veya yetkili müşteri hizmetleri tarafından yapılmalıdır.

2.2 Vidalama makinesi ve darbeli vidalama makinesi için güvenlik uyarıları

- ▶ **Elektrikli el aletini, vidanın gizli elektrik kablolarına temas edebileceği durumlarda izole tutamıyından tutunuz.** Elektrik ileten bir hat ile temasta metal vida parçalar da gerilim altında kalır ve elektrik çarpmasına neden olabilir.

2.3 Vidalama makinesi ek güvenlik uyarıları

Kişilerin güvenliği

- ▶ Ürünü sadece teknik açıdan sorunsuz durumdayken kullanın.
- ▶ Alette hiç bir zaman manipülasyon veya değişiklik yapmayınız.
- ▶ Aletle birlikte verilen ek tutamakları kullanın. Kontrol kaybı yaralanmalara yol açabilir.
- ▶ Aleti, her zaman iki elinizle öngörülen tutamaklardan sıkıca tutun. Tutamakları kuru ve temiz tutun.
- ▶ Dönen parçalara temas etmekten kaçınınız - Yaralanma tehlikesi!
- ▶ Aletin kullanımı sırasında uygun bir koruyucu gözlük, koruyucu kask, kulaklık, koruyucu eldiven ve hafif bir solunum koruma maskesi takınız.
- ▶ Matkap ucu değişimi sırasında koruyucu eldiven takınız. Ek alete takılan uçlara dokunmak kesik ve yanık türünde yaralanmalara yol açabilir.
- ▶ Koruyucu gözlük kullanınız. Etrafa sıçrayan malzeme vücudu ve gözleri yaralayabilir.
- ▶ Çalışmaya başlamadan önce çalışma sırasında ortaya çıkan tozun tehlike sınıfını öğrenin. Ülkenizdeki tozdan koruma yönergelerine uygun bir resmi koruma sınıfına sahip toz emme tertibatı kullanın. Kurşun içeren boyalar gibi malmelerin tozu, bazı ahşap türleri, kuartz içeren beton / duvar / taşlar, mineraller ve metaller sağlığa zarar verebilir.
- ▶ Çalışma yerinin iyi havalandırmasını sağlayınız ve gerektiği durumlarda ilgili toz için uygun olan bir maske kullanınız. Tozlara dokunulması veya tozların solunması, kullancıda veya yakınında bulunan kişilerde alerjik reaksiyonlara ve/veya solunum yolu hastalıklarına yol açabilir. Kayın veya meşe ağacı gibi belli tür tozlar özellikle ahşap işlemede ek maddelerle (kromat, ahşap koruyucu malzemeler) bağlantılı çalışıldığında kanser yapıcı olarak kabul edilir. Asbest içeren malzemeler sadece uzman kişiler tarafından işlenmelidir.
- ▶ Parmaklarınızdaki kan dolaşımının daha iyi olması için çalışma molaları veriniz ve parmak egzersizleri yapınız. Uzun süreli çalışmalarda titreşimden dolayı parmaklar, eller veya bileklerdeki kan damarlarında veya sinir sisteminde rahatsızlıklar oluşabilir.

Elektrik güvenliği

- ▶ Çalışmaya başlamadan önce çalışma alanında üzeri kapatılmış elektrik kablosu, gaz ve su borusu bulunup bulunmadığını kontrol ediniz. Bir elektrik hattına kazara zarar verilmesi halinde, aletin dışındaki metal parçalar elektrik çarpmasına neden olabilir.

Elektrikli el aletleri ile dikkatli çalışılması ve aletin doğru kullanılması

- ▶ Takımın bloke olması halinde, elektrikli el aletini derhal kapatınız. Alet yana doğru kayabilir.
- ▶ Yere koymadan önce elektrikli el aletinin tamamen durmasını bekleyiniz.

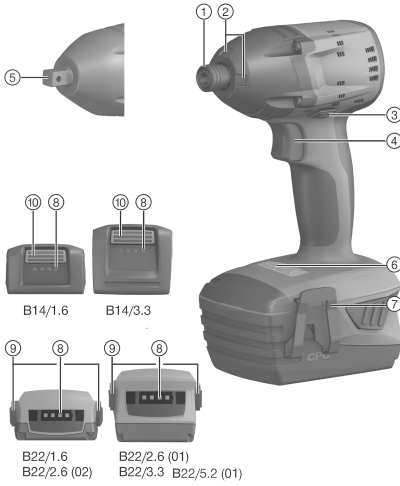
2.4 Akülü aletlerin özenli çalıştırılması ve kullanımı

- ▶ Lityum İyon akülerin taşıma, depolama ve kullanımına yönelik özel talimatları dikkate alınız.
- ▶ Aküler, yüksek sıcaklıklarda, doğrudan güneş ışığından ve ateşten uzak tutulmalıdır.
- ▶ Aküler parçalarına ayrılmalı, ezilmemeli, 80°C üzerine ısıtılmamalı veya yakılmamalıdır.
- ▶ Darbe almış, bir metreden daha yüksek bir yerden düşmüş veya başka bir şekilde hasar görmüş aküleri kullanmayınız veya şarj etmeyiniz. Bu durumda her zaman **Hilti servisi** ile irtibat kurunuz.
- ▶ Akü tutulamayacak kadar sıcaksa arızalı olabilir. Ürünü yanıcı malzemelerden yeterli bir uzaklıkta, gözlemleyebileceğiniz yanmaz bir zemin üzerine koyunuz ve soğuması için bırakınız. Bu durumda her zaman **Hilti servisi** ile irtibat kurunuz.



3 Tanımlama

3.1 Ürüne genel bakış



- ① İçten altıgen (SID)
- ② Aydınlatma
- ③ Çalıştırma kilidi olan sağa/sola dönüş değiştirme şalteri
- ④ Kumanda şalteri (elektronik devir sayısı kumandalı)
- ⑤ Dıştan dörtgen (SIW)
- ⑥ Tork değiştirme şalteri
- ⑦ Kemer kancası (opsiyonel)
- ⑧ Akü şarj durumu göstergesi
- ⑨ Kilit açma tuşları (akü B22/...)
- ⑩ Kilit açma tuşları (akü B14/...)

3.2 Usulüne uygun kullanım

Tanımlanan ürün, elle kullanılan, aküyle çalışan bir darbeli vidalama makinesidir. Ahşap, metal, moloz ve betondaki civata bağlantılarının, somunların ve dişli saplamaların sıkılması ve çözülmesi için tasarlanmıştır. Darbeli vidalama makinesi sadece kesin/özel bir tork gerektirmeyen uygulamalarda kullanılabilir. Aksi takdirde aşırı devir ile civata veya işlenen parçanın hasar görme tehlikesi söz konusudur.

- Bu ürün için sadece B14 (SID / SIW 14-A) veya B22 (SID / SIW 22-A) tip serisi **Hilti** Lityum İyon aküler kullanınız.
- Bu aküler için sadece C4/36 serisi **Hilti** şarj cihazları kullanınız.

3.3 Şarj durumu göstergesi

Lityum İyon akülerin şarj durumu, kilit açma tuşuna hafifçe basıldıktan (en fazla hissedilebilir bir direnç fark edene kadar) sonra gösterilir.

Durum	Anlamı
4 LED yanıyor.	Şarj durumu: % 75 ile %100 arası
3 LED yanıyor.	Şarj durumu: % 50 ile %75'e kadar
2 LED yanıyor.	Şarj durumu: % 25 ile %50'e kadar
1 LED yanıyor.	Şarj durumu: % 10 ile %25 arası
1 LED yanıp sönüyor.	Şarj durumu: < % 10



Kumanda şalterine basılıyken ve kumanda şalteri bırakıldıktan sonra 5 saniye içinde şarj durumu sorgusu yapmak mümkün değildir.

3.4 Teslimat kapsamı

Darbeli vidalama makinesi, kullanım kılavuzu.



Tarafımızdan onaylanmış, yedek parçaları, aksesuarları ve sarf malzemelerini **Hilti Store** veya adresinde bulabilirsiniz. www.hilti.group | USA: www.hilti.com



4 Darbeli vidalama makinesi

		SID 14-A	SIW 14-A
Çalışma gerilimi		14,4 V	14,4 V
EPTA Procedure-01 uyarınca ağırlık		1,6 kg	1,6 kg
Ölçüm rölanti devir sayısı	Konum I	0 dev/dak ... 1.000 dev/dak	0 dev/dak ... 1.000 dev/dak
	Konum II	0 dev/dak ... 1.500 dev/dak	0 dev/dak ... 1.500 dev/dak
	Konum III	0 dev/dak ... 2.500 dev/dak	0 dev/dak ... 2.300 dev/dak
Darbe sayısı		≤ 3.100/dak	≤ 3.400/dak
Tork ayarı		3 kademe	3 kademe
Standart vida boyutu		M8 - M16	M8 - M16
Yüksek mukavemetli vida boyutu		M6 - M12	M6 - M12
Alet bağlantı yeri		$\frac{1}{4}$ " güvenlik manşetli içten altigen	$\frac{1}{2}$ " yarım küreli içten altigen veya $\frac{3}{8}$ " emniyet segmanlı dıştan dörtgen
İşletim sırasındaki ortam sıcaklığı		-17 °C ... 60 °C	-17 °C ... 60 °C
Depolama sıcaklığı		-20 °C ... 70 °C	-20 °C ... 70 °C

		SID 22-A	SIW 22-A
Çalışma gerilimi		21,6 V	21,6 V
EPTA Procedure-01 uyarınca ağırlık		2,1 kg	2,1 kg
Ölçüm rölanti devir sayısı	Konum I	0 dev/dak ... 1.000 dev/dak	0 dev/dak ... 1.000 dev/dak
	Konum II	0 dev/dak ... 1.500 dev/dak	0 dev/dak ... 1.500 dev/dak
	Konum III	0 dev/dak ... 2.500 dev/dak	0 dev/dak ... 2.300 dev/dak
Darbe sayısı		≤ 3.450/dak	≤ 3.500/dak
Tork ayarı		3 kademe	3 kademe
Standart vida boyutu		M8 - M16	M8 - M16
Yüksek mukavemetli vida boyutu		M6 - M12	M6 - M12
Alet bağlantı yeri		$\frac{1}{4}$ " güvenlik manşetli içten altigen	$\frac{1}{2}$ " yarım küreli içten altigen veya $\frac{3}{8}$ " emniyet segmanlı dıştan dörtgen
İşletim sırasındaki ortam sıcaklığı		-17 °C ... 60 °C	-17 °C ... 60 °C
Depolama sıcaklığı		-20 °C ... 70 °C	-20 °C ... 70 °C

4.1 EN 62841 uyarınca ses bilgisi ve titreşim değerleri

Bu talimatlarda belirtilen ses basıncı ve titreşim değerleri, ilgili normlara uygun bir ölçüm metodu ile ölçülmüştür ve elektrikli el aletlerinin birbirleri ile karşılaştırılması için kullanılabilir. Zorlanmaların geçici olarak değerlendirilmesine de uygundur.

Belirtilen değerler, elektrikli el aletinin ana kullanım alanlarını temsil eder. Elektrikli el aletinin, farklı ek aletlerle veya yetersiz bakım yapılmış şekilde kullanılması durumunda, veriler sapma gösterebilir. Bu durum, toplam çalışma süresi boyunca zorlanmayı belirgin şekilde yükseltebilir.

Doğru bir zorlanma değerlendirmesi için aletin kapatıldığı veya çalışır konumda olduğu ve ayrıca kullanımda olmadığı zamanlar da dikkate alınmalıdır. Bu durum, toplam çalışma süresi boyunca zorlanmayı belirgin şekilde azaltabilir.

Kullanıcıyı ses ve/veya titreşimin etkilerinden koruyacak ek güvenlik önlemleri belirleyiniz, örneğin: Elektrikli el aletinin ve ek aletlerin bakımının yapılması, ellerin sıcak tutulması, iş akışlarının düzenlenmesi.



Gürültü bilgileri

	SID 14-A	SIW 14-A	SID 22-A	SIW 22-A
Ses gücü seviyesi (L_{WA})	94 dB(A)	94 dB(A)	97 dB(A)	97 dB(A)
Emniyetsizlik ses gücü seviyesi (K_{WA})	3 dB(A)	3 dB(A)	3 dB(A)	3 dB(A)
Emisyon ses basıncı seviyesi (L_{pA})	83 dB(A)	83 dB(A)	86 dB(A)	86 dB(A)
Emniyetsizlik ses basıncı seviyesi (K_{pA})	3 dB(A)	3 dB(A)	3 dB(A)	3 dB(A)

Toplam titreşim değerleri

	SID 14-A	SIW 14-A	SID 22-A	SIW 22-A
İzin verilen maksimum boyuttaki cıvataları ve somunları sıkma için titreşim emisyon değerleri (a_{n1})	7,5 m/sn ²	7,5 m/sn ²	11 m/sn ²	11 m/sn ²
Cıvataların ve somunların sıkılması için emniyetsizlik, izin verilen maksimum boyut	1,5 m/sn ²	1,5 m/sn ²	1,5 m/sn ²	1,5 m/sn ²

4.2 Sıkma torku ayarı

Sıkma torku değiştirme şalteri konumuna göre tork seçilir.

Model SID ...

SID 14-A
SID 22-A

		Model	
		SID 14-A	SID 22-A
Sıkma torku	Konum I	50 Nm	60 Nm
	Konum II	100 Nm	110 Nm
	Konum III	150 Nm	165 Nm

Model SIW ...

SIW 14-A
SIW 22-A

		SIW 14-A	
		1/2" yarım küreli dıştan dörtgen	3/8" emniyet segmanlı dıştan dörtgen
Sıkma torku	Konum I	80 Nm	65 Nm
	Konum II	120 Nm	115 Nm
	Konum III	185 Nm	160 Nm

		SIW 22-A	
		1/2" yarım küreli dıştan dörtgen	3/8" emniyet segmanlı dıştan dörtgen
Sıkma torku	Konum I	90 Nm	75 Nm
	Konum II	135 Nm	120 Nm
	Konum III	200 Nm	175 Nm

4.3 Akü 14,4 V

Akü çalışma gerilimi	14,4 V
Ortam sıcaklığı	-10 °C ... 60 °C
Depolama sıcaklığı	-20 °C ... 40 °C



4.4 Akü 21,6 V

Akü çalışma gerilimi	21,6 V
Ortam sıcaklığı	-17 °C ... 60 °C
Depolama sıcaklığı	-20 °C ... 40 °C

5 Çalışma hazırlığı

⚠ DİKKAT

Yaralanma tehlikesi kazara çalışmaya başlama nedeniyle!

- ▶ Aküyü takmadan önce ilgili ürünün kapalı konumda olduğundan emin olunuz.
- ▶ Cihazın ayarlarını yapmadan veya aksesuarları değiştirmeden önce aküyü çıkartınız.

Bu dokümanda ve ürün üzerinde bulunan güvenlik ve uyarı bilgilerine dikkat ediniz.

5.1 Akünün şarj edilmesi

1. Şarj etmeden önce şarj cihazının kullanım kılavuzunu okuyunuz.
2. Akü ve şarj cihazının kontaklarının temiz ve kuru olmasına dikkat ediniz.
3. Aküyü izin verilen şarj cihazında şarj ediniz.

5.2 Akünün yerleştirilmesi

⚠ DİKKAT

Yaralanma tehlikesi kısa devre veya akünün düşmesi nedeniyle!

- ▶ Aküyü yerleştirmeden önce, akü kontaklarında ve ürün içindeki kontaklarda yabancı cisim bulunmadığından emin olunuz.
 - ▶ Akünün her zaman tam oturduğundan emin olunuz.
1. İlk kullanım öncesinde akü tamamen şarj edilmelidir.
 2. Aküyü, duylur şekilde yerine oturana kadar cihaz tutucusuna bastırınız.
 3. Akünün alette emniyetli bir şekilde yerleşip yerleşmediğini kontrol ediniz.

5.3 Akünün çıkartılması

1. Akünün serbest bırakma düğmelerine basınız.
2. Aküyü aletten çıkartınız.

5.4 Kemer kancasının takılması (opsiyonel) 2

⚠ İKAZ

Yaralanma tehlikesi Düşen alet nedeniyle tehlike.

- ▶ Aletin düşmesi, size veya etrafınızdakilere zarar verebilir. Çalışmaya başlamadan önce kemer halkasının emniyetli bir şekilde sabitlenip sabitlenmediğini kontrol ediniz.



Kemer kancası ile aleti vücuda bitişik şekilde kemerden sabitleyebilirsiniz. Kemer kancası, sağda veya solda taşıma için monte edilebilir.

1. Aküyü çıkarınız. → Sayfa 97
2. Kemer kancasını, vidalama makinesinin ayağındaki öngörülen deliğe takınız.
3. Kemer kancasını 2 civata ile sabitleyiniz.



5.5 Ek aletin takılmasıSID 14-A
SID 22-A

1. Ek aletin giriş ucunun temiz olup olmadığını kontrol ediniz.
 - Giriş ucunu gerekirse temizleyiniz.
2. Sağa/sola dönüş değiştirme şalterini orta konuma getiriniz veya aküyü aletten ayırınız.
3. Ek aleti dayanak yerine kadar alet bağlantı yerine yerleştirip oturtunuz.
4. Çalıştırmadan önce ek aletin sıkı ve doğru oturduğunu kontrol ediniz.

5.6 Ek aletin takılmasıSIW 14-A
SIW 22-A

1. Ek aletin giriş ucunun temiz olup olmadığını kontrol ediniz.
 - Giriş ucunu gerekirse temizleyiniz.
2. Sağa/sola dönüş değiştirme şalterini orta konuma getiriniz veya aküyü aletten ayırınız.
3. Ek alettaki yanıl deliği, alet bağlantı yerindeki yarım küreyle hizalayınız.
4. Ek aleti, yerine oturana kadar alet bağlantı yerine bastırınız.
5. Çalıştırmadan önce ek aletin sıkı ve doğru oturduğunu kontrol ediniz.

5.7 Ek aletin takılması

SIW 22-A

⚠ DİKKAT**Yaralanma tehlikesi** Yanlış alet nedeniyle!

- Sadece kilitleme olanağı bulunan aletler kullanınız.
- Hasarlı veya aşınmış aletleri kullanmayınız.

1. Sağa/sola dönüş değiştirme şalterini orta konuma getiriniz veya aküyü aletten ayırınız.
2. Lokma yuvasından o-ring'i çıkartınız.
3. Emniyet pimini dışarı çekiniz.
4. Lokmayı, alettaki tahrik dörtgen parçası üzerine yerleştiriniz.



Tahrik dörtgen parçası ve lokma için emniyet segmanı bağlantı yeri deliklerinin örtüşmesine dikkat ediniz.

5. Emniyet pimini lokmaya takınız.
6. O-ring'i lokmaya takınız.
7. Çalıştırmadan önce ek aletin sıkı ve doğru oturduğunu kontrol ediniz.

6 Kullanım

Bu dokümanda ve ürün üzerinde bulunan güvenlik ve uyarı bilgilerine dikkat ediniz.



6.1 Sıkma torkunun ayarlanması 6

- Tork seçim şalterine, tork seçim şalterinin sol yanında istenen tork kademesi gösterilene kadar birden çok defa basınız.

SID 14-A
SID 22-A

Model SID ... → Sayfa 96

SIW 14-A
SIW 22-A

Model SIW ... → Sayfa 96

6.2 Sağa/Sola doğru çalışma ayarı 7



Bir kilit, motor çalışırken değiştirmeyi engeller.
Kumanda şalterinin orta konumu bloke olmuştur (açılma kilidi).

- Sağa / sola dönüş değiştirme şalterini istediğiniz dönüş yönüne ayarlayınız.

6.3 Açma

- Kumanda şalterine basınız.
 - Devir sayısı, baskı derinliği üzerinden ayarlanır.

6.4 Vidalama



DİKKAT

Hasarlı iş parçaları nedeniyle yaralanma tehlikesi! Civatalar veya iş parçası, yüksek torklarda hasar görebilir. Bu durum ayrıca yaralanmalara neden olabilir.

- Civataların ve çalışma parçasının alet tarafından oluşturulan torka uygun olduğundan emin olunuz.

1. Sağa/sola dönüş değiştirme şalterini orta konuma getiriniz veya aküyü aletten ayırınız.
2. Tork seçim şalterinden istediğiniz torku ayarlayınız. → Sayfa 99

6.5 Kapatılması

- Kumanda şalterini bırakınız.

6.6 Ek aletin sökülmesi 8

SID 14-A
SID 22-A



DİKKAT

Ek alet nedeniyle yaralanma tehlikesi! Ek alet sıcak veya keskin kenarlı olabilir.

- Aleti kullanırken ve ek aleti değiştirirken koruyucu eldiven kullanınız.

1. Sağa/sola dönüş değiştirme şalterini orta konuma getiriniz veya aküyü aletten ayırınız.
2. Uç girişinin halkasını öne doğru çekiniz ve sabit tutunuz.
3. Ek aleti alet bağlantı yerinden çekiniz.
4. Alet bağlantı yeri segmanını bırakınız.



6.7 Ek aletin sökülmesi 9SIW 14-A
SIW 22-A**⚠ DİKKAT****Ek alet nedeniyle yaralanma tehlikesi!** Ek alet sıcak veya keskin kenarlı olabilir.

► Aleti kullanırken ve ek aleti değiştirirken koruyucu eldiven kullanınız.

1. Sağa/sola dönüş değiştirme şalterini orta konuma getiriniz veya aküyü aletten ayırınız.
2. Ek aleti alet bağlantı yerinden çekiniz.

6.8 Ek aletin sökülmesi 10

SIW 22-A

1. Sağa/sola dönüş değiştirme şalterini orta konuma getiriniz veya aküyü aletten ayırınız.
2. Lokma yuvasından o-ring'i çıkartınız.
3. Emniyet pimini dışarı çekiniz.
4. Lokmayı aletteki dörtgen tahrik parçasından çıkartınız.
5. Emniyet pimini monte ediniz.
6. Emniyete almak amacıyla O-Ring'i lokmaya monte ediniz.

7 Bakım ve onarım**⚠ İKAZ****Takılı aküden dolayı yaralanma tehlikesi !**

► Tüm bakım ve onarım çalışmalarından önce her zaman aküyü çıkarınız!

Alet bakımı

- Yapışmış olan kir dikkatlice çıkarılmalıdır.
- Havalandırma deliklerini kuru bir fırça ile dikkatlice temizleyiniz.
- Gövde sadece hafif nemli bir bezle temizlenmelidir. Plastik parçalara yapışabileceğinden silikon içerikli bakım maddeleri kullanılmamalıdır.

Lityum İyon akülerin bakımı

- Akü temiz ve yağ ve gresten uzak tutulmalıdır.
- Gövde sadece hafif nemli bir bezle temizlenmelidir. Plastik parçalara yapışabileceğinden silikon içerikli bakım maddeleri kullanılmamalıdır.
- Aletin içine nem girişi engellenmelidir.

Bakım

- Görünür tüm parçalarda hasar olup olmadığı ve kumanda elemanlarının sorunsuz şekilde çalıştığı kontrol edilmelidir.
- Hasar ve/veya fonksiyon arızaları durumunda ürün çalıştırılmamalıdır. Derhal **Hilti** servisi tarafından onarılmalıdır.
- Bakım ve onarım çalışmalarından sonra tüm koruma tertibatları yerleştirilmeli ve fonksiyonları kontrol edilmelidir.



Güvenli çalışma için sadece orijinal yedek parçalar ve sarf malzemeleri kullanınız. Tarafımızdan onaylanmış, yedek parçaları, aksesuarları ve sarf malzemelerini **Hilti Store** veya adresinde bulabilirsiniz. www.hilti.group.

8 Akü aletlerinin taşınması ve depolanması**Taşıma****⚠ DİKKAT****Taşıma sırasında aletin istem dışı çalışması !**

► Ürünlerinizi her zaman aküler takılı olmadan taşıyınız!



- ▶ Akülerin çıkarılması.
- ▶ Aküler kesinlikle sıkıca bağlanmamış koruma ile taşınmamalıdır.
- ▶ Uzun süren depolama sonrası kullanmadan önce aletin ve akülerin hasar görmüş olup olmadığını kontrol ediniz.

Depolama

DİKKAT

Arızalı veya akan aküler nedeniyle beklenmeyen hasar oluşumu !

- ▶ Ürünlerinizi her zaman aküleri yerleştirmeden depolayınız!
- ▶ Aleti ve aküleri mümkün olduğunca soğuk ve kuru yerde depolayınız.
- ▶ Aküleri kesinlikle güneşte, sıcakta veya cam levhaların arkasında depolamayınız.
- ▶ Aleti ve aküleri çocukların ve yetki verilmeyen kişilerin ulaşamayacağı yerlerde depolayınız.
- ▶ Uzun süren depolama sonrası kullanmadan önce aletin ve akülerin hasar görmüş olup olmadığını kontrol ediniz.

9 Arıza durumunda yardım

Bu tabloda listelenmemiş veya kendi başınıza gideremediğiniz arızalarda lütfen yetkili **Hilti** servisimiz ile irtibat kurunuz.

9.1 Arıza durumunda yardım

Arıza	Olası sebepler	Çözüm
Alet çalışmıyor.	Akü yerine tamamen takılmamış.	▶ Aküyü yerleştiriniz. → Sayfa 97
	Akü deşarj olmuş.	▶ Aküyü şarj ediniz. → Sayfa 97
Kumanda şalterine basılamıyor veya bloke olmuş.	Sağa/sola dönüş değiştirme şalteri orta konumda.	▶ Sağa / sola dönüş değiştirme şalterini ayarlayınız. → Sayfa 99
Devir sayısı aniden çok düşüyor.	Akü deşarj olmuş.	▶ Aküyü şarj ediniz. → Sayfa 97
Akü normalden daha hızlı boşalıyor.	Çok düşük ortam sıcaklığı.	▶ Aküyü yavaşça oda sıcaklığına ulaşacak biçimde ısınmaya bırakınız.
Akü paketi duyulabilir bir çift klik sesi ile yerine oturmuyor.	Akünün kilit tırnakları kirlenmiş.	▶ Kilit tırnaklarını temizleyiniz ve aküyü yerine oturtunuz. Problem devam ederse Hilti servisi ile irtibat kurunuz.
Alette veya aküde güçlü ısı artışı.	Elektrik arızası.	▶ Aleti hemen kapatınız, aküyü çıkartınız, gözleyiniz, soğumaya bırakınız ve Hilti servisi ile irtibat kurunuz.
	Alet aşırı yüklenmiş (kullanım sınırı aşılmış).	▶ Uygulama için uygun olan aleti seçiniz.

10 İmha

Hilti aletleri yüksek oranda geri dönüşümlü malzemelerden üretilmiştir. Geri dönüşüm için gerekli koşul, usulüne uygun malzeme ayırımıdır. Çoğu ülkede **Hilti**, eski aletlerini yeniden değerlendirmek üzere geri alır. Bu konuda **Hilti** müşteri hizmetlerinden veya satış temsilcilerinizden bilgi alabilirsiniz.

Akülerin imha edilmesi

Akülerin usulüne uygun imha edilmemesi halinde, dışarı çıkan gaz ve sıvılar nedeniyle sağlık sorunları oluşabilir.

- ▶ Hasar görmüş aküleri hiç bir şekilde göndermeyiniz!
- ▶ Kısa devreleri önlemek için, akünün bağlantılarını iletken olmayan bir malzeme ile kapatınız.
- ▶ Aküleri, çocukların ellerine geçmeyecek şekilde imha ediniz.
- ▶ Aküyü size en yakın **Hilti Store**'da imha ediniz veya imha etmek için yetkili şirketinize başvurunuz.



- ▶ Elektrikli el aletlerini, elektronik cihazları ve aküleri evdeki çöplere atmayınız!



11 RoHS (Tehlikeli madde kullanımını kısıtlama direktifi)

Tehlikeli Maddeler tablosunu ařađıdaki internet bađlantılarında bulabilirsiniz: qr.hilti.com/r4923, qr.hilti.com/r4922, qr.hilti.com/r4927 ve qr.hilti.com/r4926.

RoHS tablosunun linkini bu dokümanın sonunda QR kodu olarak bulabilirsiniz.

12 Üretici garantisi

- Garanti kořullarına iliřkin sorularınız için lütfen yerel **Hilti** iř ortađınıza bařvurunuz.



دليل الاستعمال الأصلي

1 بيانات المستند

1.1 حول هذا المستند

- اقرأ هذه المستندات بالكامل قبل التشغيل. يعتبر هذا شرطا للعمل بشكل آمن والاستخدام بدون اختلالات.
- تراعى إرشادات الأمان والإرشادات التحذيرية الواردة في هذا المستند وعلى الجهاز.
- احتفظ بدليل الاستعمال دائما مع المنتج، ولا تعطي الجهاز لآخرين إلا مرفقا بهذا الدليل.

2.1 شرح العلامات

1.2.1 إرشادات تحذيرية

تنبه الإرشادات التحذيرية إلى الأخطار الناشئة عند التعامل مع الجهاز. يتم استخدام الكلمات الدلالية التالية:



خطر!

تشير لخطر مباشر يؤدي لإصابات جسدية خطيرة أو إلى الوفاة.



تحذير!

تشير لخطر محتمل قد يؤدي لإصابات جسدية خطيرة أو إلى الوفاة.



احترس!

تشير لموقف خطر محتمل يمكن أن يؤدي لإصابات جسدية خفيفة أو أضرار مادية.

2.2.1 الرموز في المستند

يتم استخدام الرموز التالية في هذا المستند:

قبل الاستخدام اقرأ دليل الاستعمال	
إرشادات الاستخدام ومعلومات أخرى مفيدة	
التعامل مع مواد قابلة لإعادة التدوير	
لا تتخلص من الأجهزة الكهربائية البطاريات ضمن القمامة المنزلية	

3.2.1 الرموز في الصور

تستخدم الرموز التالية في الرسوم التوضيحية:

تشير هذه الأعداد إلى الصور المعنية بمطلع هذا الدليل	2
ترقيم الصور يمثل ترتيب خطوات العمل في الصور، وقد يختلف عن ترقيم خطوات العمل في النص	3
يتم استخدام أرقام المواضع في صورة العرض العام وهي تشير إلى أرقام تعليق الصورة في	11
فصل عرض عام للمنتج	
ينبغي أن تسترعي هذه العلامة اهتماما خاصا عند التعامل مع المنتج.	

3.1 الرموز المرتبطة بالمنتج

1.3.1 الرموز على المنتج

قد تكون الرموز التالية مستخدمة على المنتج:



الثقب بدون طرق	
الثقب بالطرق	
عدد اللفات في الدقيقة	/min
عدد اللفات الاسمي في الوضع المايد	n ₀
تيار مستمر	===
بطارية أيونات الليثيوم	Li-Ion
بطاريات أيونات الليثيوم Hilti المستخدمة من النوع. احرص على مراعاة التعليمات الواردة في الفصل الاستخدام المطابق للتعليمات.	
يدعم الجهاز تقنية NFC المتوافقة مع أنظمة التشغيل iOS و Android.	
لا تستخدم البطارية أبداً كمطرقة.	
لا تدع البطارية تسقط. لا تستخدم بطارية تعرضت لصدمات أو أي نوع آخر من التلفيات.	

4.1 معلومات المنتج

منتجات **تجارت** مصممة للمستخدمين المحترفين ويقصر استعمالها وصيانتها وإصلاحها على الأشخاص المعتمدين والمدربين جيداً. هؤلاء الأشخاص يجب أن يكونوا قد تلقوا تدريباً خاصاً على الأخطار الطارئة. قد يتسبب الجهاز وأدواته المساعدة في حدوث أخطار إذا تم التعامل معها بشكل غير سليم فنياً من قبل أشخاص غير مدربين أو تم استخدامها بشكل غير مطابق للتعليمات.

يوجد مسمى الطراز والرقم المسلسل على لوحة الصنع.

◀ انقل الرقم المسلسل في الجدول التالي. ستحتاج إلى بيانات المنتج في حالة الاستفسارات الموجبة إلى ممثلينا أو مركز الخدمة.

بيانات المنتج

SID 14-A, SID 22-A SIW 14-A, SIW 22-A	المفك العامل ببطارية
	المفك الدقاق العامل ببطارية
01	الجيل:
	الرقم المسلسل:

5.1 بيان المطابقة

نقر على مسؤوليتنا الفردية بأن المنتج المشروع هنا متوافق مع التشريعات والمواصفات المعمول بها. تجد صورة لبيان المطابقة في نهاية هذا المستند.

المستندات الفنية محفوظة هنا:

Hilti Entwicklungsgesellschaft mbH | Zulassung Geräte | Hiltistraße 6 | 86916 Kaufering, DE

2 السلامة

1.2 إرشادات السلامة العامة المتعلقة بالأدوات الكهربائية

⚠ تحذير احرص على قراءة جميع إرشادات السلامة، التوجيهات، الصور التوضيحية والمواصفات الفنية المرفقة مع هذه الأداة الكهربائية. أي تقصير أو إهمال في الالتزام بالتعليمات التالية قد يتسبب في حدوث صق كهربائي، نشوب حريق و/أو وقوع إصابات خطيرة.

احتفظ بجميع مستندات إرشادات السلامة والتعليمات لاستخدامها عند الحاجة إليها فيما بعد.

يقصد بمصطلح «الأداة الكهربائية» المذكور في إرشادات السلامة الأدوات الكهربائية المشغلة بالكهرباء، (باستخدام كابل الكهرباء) أو الأدوات الكهربائية المشغلة بالبطاريات (بدون كابل الكهرباء).



سلامة مكان العمل

- حافظ على نطاق عملك نظيفاً ومضاءً بشكل جيد. الفوضى أو أماكن العمل غير المضاءة يمكن أن تؤدي لوقوع حوادث.
- لا تعمل بالأداة الكهربائية في محيط معرض لخطر الانفجار يتواجد به سوائل أو غازات أو أنواع غبار قابلة للاشتعال. الأدوات الكهربائية تولد شرراً يمكن أن يؤدي لإشعال الغبار والأبخرة.
- احرص على إبعاد الأطفال والأشخاص الآخرين أثناء استخدام الأداة الكهربائية. في حالة انصراف انتباهك قد تفقد السيطرة على الجهاز.

السلامة الكهربائية

- يجب أن يكون قابس توصيل الأداة الكهربائية متلائماً مع المقبس. لا يجوز تعديل القابس بأي حال من الأحوال. لا تستخدم قوابس مهايأة مع أدوات كهربائية ذات وصلة أرضي محمية. القوابس غير المعدلة والمقابس الملائمة تقلل من خطر حدوث صدمة كهربائية.
- تجنب حدوث تلامس للجسم مع أسطح مؤرضة مثل الأسطح الخاصة بالمواسير وأجهزة التدفئة والمواد والتلجئات. ينشأ خطر متزايد من حدوث صدمة كهربائية عندما يكون جسمك متصلاً بالأرض.
- ابتعد الأدوات الكهربائية عن الأمطار أو اللبلل. تسرب الماء إلى داخل الأداة الكهربائية يزيد من خطر حدوث صدمة كهربائية.
- لا تستخدم كابل التوصيل لحمل الأداة الكهربائية أو تعليقها أو لسحب القابس من المقبس. احتفظ بكابل التوصيل بعيداً عن السخونة والزيوت والحواف الحادة والأجزاء المتحركة. كابلات التوصيل التالفة أو المتشابكة تزيد من خطر حدوث صعق كهربائي.
- عندما تعمل بأداة كهربائية في مكان مكشوف، فلا تستخدم سوى كابلات الإطالة المناسبة للعمل في النطاق الخارجي. استخدام كابل إطالة مناسب للعمل في النطاق الخارجي يقلل من خطر حدوث صعق كهربائي.
- إذا تعذر تجنب تشغيل الأداة الكهربائية في محيط رطب، فاستخدم مفتاح حماية من تسرب التيار. استخدام مفتاح الحماية من تسرب التيار يقلل خطر حدوث صدمة كهربائية.

سلامة الأشخاص

- كن يقظاً وانتبه لما تفعل وتعامل مع الأداة الكهربائية بتعقل عند العمل بها. لا تستخدم الأداة الكهربائية عندما تكون متعباً أو تحت تأثير المخدرات أو الكحوليات أو العقاقير. فقد يتسبب عدم الانتباه للحظة واحدة أثناء الاستخدام في حدوث إصابات بالغة.
- ارتد تجهيزات وقاية شخصية وارتد دائماً نظارة واقية. ارتداء تجهيزات وقاية شخصية، مثل قناع الوقاية من الغبار وأحذية الأمان المضادة للانزلاق وخوذة الوقاية أو واقي السمع، تبعاً لنوع واستخدام الأداة الكهربائية، يقلل من خطر الإصابات.
- تجنب التشغيل بشكل غير مقصود. تأكد أن الأداة الكهربائية مطفأة قبل توصيلها بالكهرباء و/أو بالبطارية وقبل رفعها أو حملها. إذا كان إصبعك على المفتاح عند حمل الأداة الكهربائية أو كان الجهاز في وضوع التشغيل عند التوصيل بالكهرباء، فقد يؤدي ذلك لوقوع حوادث.
- أبعد أدوات الضبط أو مفاتيح ربط البراغي قبل تشغيل الأداة الكهربائية. الأداة أو المفتاح المتواجد في جزء دوار من الجهاز يمكن أن يؤدي لحدوث إصابات.
- تجنب اتخاذ وضع غير طبيعي للجسم. احرص على أن تكون واقفاً بأمان وحافظ على توازنك في جميع الأوقات. من خلال ذلك تستطيع السيطرة على الأداة الكهربائية بشكل أفضل في المواقف المفاجئة.
- ارتد ملابس مناسبة. لا ترتد ملابس فضفاضة أو حلي. احرص على أن يكون الشعر والملابس والقفازات بعيدة عن الأجزاء المتحركة. الملابس الفضفاضة أو الحلي أو الشعر الطويل يمكن أن تشبكت في الأجزاء المتحركة.
- إذا أمكن تركيب تجهيزات شفت وتجميع الغبار، فتأكد أنها موصلة ومستخدمة بشكل سليم. استخدام تجهيزة شفت الغبار يمكن أن يقلل الاضطراب الناتجة عن الغبار.
- لا تعتقد بأنك في مأمن عن الاضرار ولا تتجاهل تشريعات السلامة المعنية للأدوات الكهربائية، حتى وإن كنت على دراية بالأداة الكهربائية بعد تكرار استخدامها. التعامل مع الجهاز بدون حذر قد يؤدي إلى وقوع إصابات بالغة في جزء من الثانية.

استخدام الأداة الكهربائية والتعامل معها

- لا تفرط في التحميل على الجهاز. استخدم الأداة الكهربائية المناسبة للعمل الذي تقوم به. استخدام الأداة الكهربائية المناسبة يتبع لك العمل بشكل أفضل وأكثر أماناً في نطاق العمل المقرر.
- لا تستخدم أداة كهربائية ذات مفتاح تالف. الأداة الكهربائية التي لم يعد يمكن تشغيلها أو إطفائها تمثل خطورة ويجب إصلاحها.



- ◀ اسحب القابس من المقبس و/أو اخلع البطارية القابلة للخلع من الجهاز قبل إجراء عمليات الضبط، أو استبدال أجزاء الملحقات أو عند ترك الجهاز. هذا الإجراء الوقائي يمنع بدء تشغيل الأداة الكهربائية دون قصد.
- ◀ احتفظ بالأدوات الكهربائية غير المستخدمة بعيدا عن متناول الأطفال. لا تسمح باستخدام الجهاز من قبل أشخاص ليسوا على دراية به أو لم يقرأوا هذه التعليمات. الأدوات الكهربائية خطيرة في حالة استخدامها من قبل أشخاص ليست لديهم الخبرة الواجبة.
- ◀ اعتني جيدا بالأدوات الكهربائية والملحقات. افحص الأجزاء المتحركة من حيث أداؤها لوظيفتها بدون مشاكل وعدم انحصارها وافحصها من حيث وجود أجزاء مكسورة أو متعرضة للضرر يمكن أن تؤثر سلبا على وظيفة الأداة الكهربائية. اعمل على إصلاح الأجزاء التالفة قبل استخدام الجهاز. الكثير من الحوادث مصدرها الأدوات الكهربائية التي تم صيانتها بشكل رديء.
- ◀ حافظ على أدوات القطع حادة ونظيفة. تتميز أدوات القطع ذات حواف القطع المادة المعتنى بها بدقة بأنها أقل عرضة للتعثر وأسهل في التعامل.
- ◀ استخدم الأداة الكهربائية والملحقات وأدوات العمل وخلافه طبقا لهذه التعليمات. احرص في هذه الأثناء على مراعاة اشتراطات العمل والمهمة المراد تنفيذها. استخدام الأدوات الكهربائية في تطبيقات غير تلك المقررة لها يمكن أن يؤدي لمواقف خطيرة.
- ◀ حافظ على المقابض ومواقع المسك في حالة جافة ونظيفة وخالية من الزيت والشحم. المقابض ومواقع المسك الانزلاقية تمول دون استعمال الأداة الكهربائية والتحكم بها بشكل آمن في المواقف غير المتوقعة.

استخدام الأداة العاملة بالبطارية والتعامل معها

- ◀ لا تشحن البطارية إلا في أجهزة شحن موصى بها من قبل الجهة الصانعة. بالنسبة لجهاز الشمن المناسب لنوع معين من البطاريات، ينشأ خطر الحريق عند استخدامه مع بطاريات أخرى.
- ◀ لا تضع في الأدوات الكهربائية سوى البطاريات المخصصة لها. استخدام بطاريات أخرى يمكن أن يؤدي لوقوع إصابات وخطر الحريق.
- ◀ أبعد البطارية غير المستخدمة عن مشابك الورق وقطع النقود المعدنية والمفاتيح والمسامير والبراغي أو الأشياء المعدنية الصغيرة الأخرى التي يمكن أن تتسبب في توصيل الملامسين لبعضهما. حدوث قفلة كهربائية بين أطراف توصيل البطارية يمكن أن ينتج عنه حدوث حروق أو نشوب حريق.
- ◀ عند الاستخدام بشكل خاطئ يمكن أن يتسرب سائل من البطارية. تجنب ملامسته. اشطفه بالماء في حالة ملامسته عن طريق الخطأ. إذا وصل السائل للعينين، فتوجه للطبيب علاوة على ذلك. سائل البطارية المتسرب يمكن أن يؤدي لتبيح البشرة أو حدوث حروق.
- ◀ لا تستخدم بطارية تالفة أو مختلفة. البطاريات التالفة أو المختلفة قد تتفاعل مع نفسها بشكل غير متوقع مما يؤدي لنشوب حريق أو حدوث انفجار أو وقوع إصابات.
- ◀ لا تعرض البطارية للنار أو لدرجات حرارة مرتفعة للغاية. حيث قد تؤدي النار ودرجات الحرارة الزائدة عن 130 م° (265 ف°) إلى حدوث انفجار.
- ◀ التزم بكافة التعليمات المعنية بالشحن، ولا تقم أبدا بشحن البطارية أو الأداة العاملة بالبطارية خارج نطاق درجة الحرارة الوارد ذكره في دليل التشغيل. الشمن بشكل خاطئ أو خارج نطاق درجة الحرارة المسموح به قد يتلف البطارية ويزيد من خطر الحريق.

الخدمة

- ◀ اعمل على إصلاح أدواتك الكهربائية على أيدي فنيين معتمدين فقط والاقصر على استخدام قطع الغيار الأصلية. وبذلك تتأكد من الحفاظ على سلامة الجهاز.
- ◀ لا تقم أبدا بصيانة البطاريات التالفة. يجب أن تتم جميع أعمال الصيانة بمعرفة الجهة الصانعة فقط أو من خلال مراكز خدمة العملاء المعتمدين.

2.2 إرشادات سلامة حول المفك والمفك الدقاق

- ◀ احرص على مسك الأداة الكهربائية من مواقع المسك المعزولة عند إجراء أعمال يحتمل فيها أن يتلامس البرغي مع أسلاك كهربائية مخفية. حيث أن ملامسة البرغي لسلك يسري فيه التيار الكهربائي يمكن أن ينقل الجهد الكهربائي للأجزاء المعدنية بالجهاز ويؤدي لحدوث صدمة كهربائية.

3.2 إرشادات السلامة الإضافية المتعلقة بالمفك الألي

سلامة الأشخاص

- ◀ اقتصر على استخدام المنتج وهو في حالة سليمة من الناحية الفنية.
- ◀ لا تقم أبدا بتدخلات أو تغييرات على الجهاز.



- ◀ استخدم المقابض الإضافية الموردة مع الجهاز. فقدان السيطرة يمكن أن يؤدي لوقوع إصابات.
- ◀ أمسك الجهاز دائما بيدك من المقابض المعنية. حافظ على جفاف ونظافة المقابض.
- ◀ تجنب ملامسة الأجزاء الدوارة - خطر الإصابة!
- ◀ احرص أثناء استخدام الجهاز على استعمال نظارة واقية ملائمة وخوذة حماية وواقي للسمع وقفاز واقي وكمامة خفيفة للتنفس.
- ◀ ارتد قفازا واقيا أثناء تغيير الأدوات. ملامسة أداة الشغل قد تؤدي لوقوع إصابات بجروح قطعية وإصابة بحروق.
- ◀ استخدم واقيا للعينين. الشظايا المتطايرة يمكن أن تصيب الجسم والعينين.
- ◀ احرص قبل بدء العمل على معرفة فئة خطر الغبار الناشئ عند إجراء العمل. استخدم شفاط غبار أعمال الإنشاءات ذي فئة حماية مصرح بها رسميا ومطابق للتعليمات المحلية الخاصة بالحماية من الغبار. الغبار الناتج عن خامات مثل الطلاء المحتوي على الرصاص وبعض أنواع الأخشاب والفرسانة/الجران والصخور المحتوية على الكوارتز والمعادن الصخرية والمعادن هو غبار ضار بالصحة.
- ◀ احرص على وجود تهوية جيدة لمكان العمل وارتد عند اللزوم قناع تنفس مخصص لنوعية الغبار المنبعث. ملامسته أو استنشاقه قد يسبب أعراض حساسية و/أو أمراض الجهاز التنفسي للمستخدم أو للأشخاص المتواجدين على مقربة منه. هناك أنواع معينة مسرطنة من الغبار مثل غبار خشب البلوط أو غبار خشب الزان، ولا سيما إذا ارتبطت هذه الأنواع بمواد إضافية لمعالجة الأخشاب (مثل الكروم ومواد حماية الأخشاب). لا يجوز التعامل مع المواد المحتوية على الأسبستوس إلا من قبل فنيين متخصصين.
- ◀ خذ قسطا من الراحة أثناء العمل وقم بتمايرين استرخاء لسريان الدم في الأصابع بشكل أفضل. عند القيام بأعمال لفترات طويلة فقد يحدث اضطرابات في الأوعية الدموية أو الجهاز العصبي بسبب كثرة الاهتزازات على الأصابع، الأيدي أو معصم اليد.

السلامة الكهربائية

- ◀ قبل بدء الأعمال افحص نطاق العمل من حيث وجود توصيلات كهرباء مغطاة أو مواسير للغاز والماء. الأجزاء المعدنية الخارجية بالجهاز يمكن أن تتسبب في صدمة كهربائية، إذا قمت دون قصد بإتلاف إحدى توصيلات التيار.

الاستخدام والتعامل بعناية مع الأدوات الكهربائية

- ◀ قم بإيقاف الأداة الكهربائية على الفور، بمجرد تعرض الأداة للإعاقة. يمكن أن ينحرف الجهاز جانبا.
- ◀ قبل التخزين انتظر إلى أن تتوقف الأداة الكهربائية تماما.

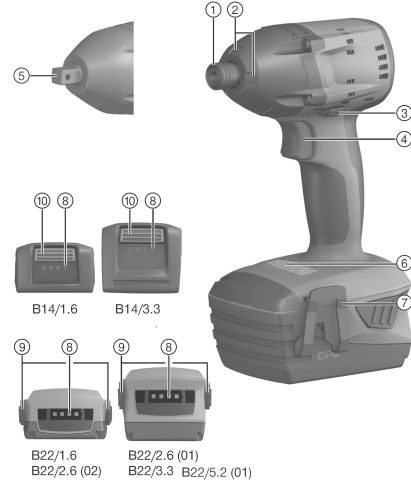
4.2 التعامل بعناية مع الأجهزة العاملة بالبطاريات واستخدامها

- ◀ تراعى التعليمات الخاصة لنقل وتخزين وتشغيل بطاريات أيونات الليثيوم.
- ◀ أبعد البطاريات عن النار ودرجات الحرارة المرتفعة وأشعة الشمس المباشرة.
- ◀ لا يجوز تفكيك البطاريات أو سحقها أو وضعها في درجة حرارة أعلى من 80°م أو حرقها.
- ◀ لا تستخدم أو تشحن البطاريات التي تعرضت لصدمة، أو سقطت من ارتفاع يزيد على متر أو تعرضت لأية أضرار أخرى. في هذه الحالة، تواصل دائما مع خدمة Hilti.
- ◀ في حالة سخونة الشحنة الشديدة للبطارية بحيث يتعذر الإمساك بها، فقد تكون تالفة. ضع المنتج في مكان غير قابل للاشتعال وعلى مسافة كافية من الخامات القابلة للاشتعال، وحيث يمكن مراقبته، واتركه حتى يبرد. في هذه الحالة، تواصل دائما مع خدمة Hilti.



1.3 نظرة عامة على المنتج

- ① رأس سداسي داخلي (SID)
- ② الإضاءة
- ③ مفتاح تحويل الدوران يمينا/يسارا ومزود
- ④ مفتاح تحكم (مزود بنظام تحكم إلكتروني في عدد اللفات)
- ⑤ رأس رباعي خارجي (SIW)
- ⑥ مفتاح تحويل عزم الدوران
- ⑦ خطاف الحزام (تميز اختياري)
- ⑧ بيان حالة شحن البطارية
- ⑨ أزرار التحرير (بطارية B22/...)
- ⑩ زر التحرير (بطارية B14/...)



2.3 الاستخدام المطابق للتعليمات

المنتج الموضح عبارة عن مفك دقاق يعمل بالبطارية ويُستخدم باليد. وهو مخصص لربط وحل وصلات القلاووظ والصواميل والمسامير الملولبة في الخشب والمعدن والجدران والخرسانة. يجوز فقط استخدام المفك الدقاق في التطبيقات التي لا تتطلب عزم دوران/ خاص. وإلا فسيكون هناك خطر الدوران المفرط وتلف البرغي أو قطعة الشغل.

- ◀ اقتصر على استخدام بطاريات أيونات الليثيوم من Hilti لهذا المنتج من سلسلة الطرازات (SID/SIW 14-A) B14 أو (SID/SIW 22-A) B22.
- ◀ اقتصر على استخدام أجهزة شحن Hilti من الفئة C4/36 لهذه البطاريات.

3.3 مبيان حالة الشحن

يتم عرض حالة شحن البطارية بعد الضغط لوهلة قصيرة على زر/أحد أزرار التحرير (حتى الوصول إلى مقاومة ملحوظة كمد أقصى).

الحالة	الاستعمال
تضيء أربع لمبات LED.	حالة الشحن: 75 % إلى 100 %
تضيء ثلاث لمبات LED.	حالة الشحن: 50 % إلى 75 %
تضيء اثنتان من لمبات LED.	حالة الشحن: 25 % إلى 50 %
تضيء لمبة LED واحدة.	حالة الشحن: 10 % إلى 25 %
تومض لمبة LED واحدة.	حالة الشحن: > 10 %

لا يمكن الاستعلام عن حالة شحن البطارية عند الضغط على مفتاح التحكم أو مرور 5 ثوانٍ من ترك مفتاح التحكم.

4.3 مجموعة التجهيزات المورددة

المفك الدقاق، دليل الاستعمال

تجد قطع الغيار وخامات الشغل والملحقات المصراع بها من قبلنا للمنتج الخاص بك في متجر Hilti Store أو على موقع الإنترنت: www.hilti.com | الولايات المتحدة الأمريكية: www.hilti.group



SIW 14-A	SID 14-A		
14.4 فلط	14.4 فلط	الجهد الكبرائى الاسمى	
1.6 كجم	1.6 كجم	الوزن حسب EPTA Procedure-01	
0 لفة/دقيقة ... 1,000 لفة/دقيقة	0 لفة/دقيقة ... 1,000 لفة/دقيقة	الوضع ا	عدد اللغات الاسمى لوضع الدوران على الفارغ
0 لفة/دقيقة ... 1,500 لفة/دقيقة	0 لفة/دقيقة ... 1,500 لفة/دقيقة	الوضع II	
0 لفة/دقيقة ... 2,300 لفة/دقيقة	0 لفة/دقيقة ... 2,500 لفة/دقيقة	الوضع III	
$\geq 3,400$ لفة/دقيقة	$\geq 3,100$ لفة/دقيقة	عدد الطرقات	
ثلاث درجات	ثلاث درجات	ضبط عزم الدوران	
M16 إلى M8	M16 إلى M8	مقاس البراغى القياسىة	
M12 إلى M6	M12 إلى M6	مقاس البراغى شديدة المتانة	
رأس رباعى خارجى $\frac{1}{2}$ بوصة مع قبة أو رأس رباعى خارجى $\frac{3}{8}$ بوصة مع حلقة تأمين	رأس سداسى داخلى $\frac{1}{4}$ بوصة مع جلبة تأمين	ظرف تركيب الأدوات	
17- ... 60 °م	17- ... 60 °م	درجة الحرارة المحيطة أثناء التشغيل	
20- ... 70 °م	20- ... 70 °م	درجة حرارة التخزين	

SIW 22-A	SID 22-A		
21.6 فلط	21.6 فلط	الجهد الكبرائى الاسمى	
2.1 كجم	2.1 كجم	الوزن حسب EPTA Procedure-01	
0 لفة/دقيقة ... 1,000 لفة/دقيقة	0 لفة/دقيقة ... 1,000 لفة/دقيقة	الوضع ا	عدد اللغات الاسمى لوضع الدوران على الفارغ
0 لفة/دقيقة ... 1,500 لفة/دقيقة	0 لفة/دقيقة ... 1,500 لفة/دقيقة	الوضع II	
0 لفة/دقيقة ... 2,300 لفة/دقيقة	0 لفة/دقيقة ... 2,500 لفة/دقيقة	الوضع III	
$\geq 3,500$ لفة/دقيقة	$\geq 3,450$ لفة/دقيقة	عدد الطرقات	
ثلاث درجات	ثلاث درجات	ضبط عزم الدوران	
M16 إلى M8	M16 إلى M8	مقاس البراغى القياسىة	
M12 إلى M6	M12 إلى M6	مقاس البراغى شديدة المتانة	
رأس رباعى خارجى $\frac{1}{2}$ بوصة مع قبة أو رأس رباعى خارجى $\frac{3}{8}$ بوصة مع حلقة تأمين	رأس سداسى داخلى $\frac{1}{4}$ بوصة مع جلبة تأمين	ظرف تركيب الأدوات	
17- ... 60 °م	17- ... 60 °م	درجة الحرارة المحيطة أثناء التشغيل	
20- ... 70 °م	20- ... 70 °م	درجة حرارة التخزين	

1.4 قيم الضوضاء والاهتزاز طبقا للمواصفة EN 62841

تم قياس ضغط الصوت وقيم الاهتزاز الواردة في هذا الدليل طبقا لأحد معايير القياس المحددة ويمكن الاستعانة بها في إجراء مقارنة بين الأدوات الكبرائية مع بعضها البعض. وهي مناسبة أيضا لتقدير حجم المخاطر بصورة أولية.

المواصفات الواردة تتعلق بالاستخدامات الأساسية للأداة الكبرائية. أما إذا تم استخدام الأداة الكبرائية في تطبيقات أخرى مع أدوات شغل مخالفة للمواصفات أو دون صيانة كافية، ففي هذه الحالة قد تختلف المواصفات. وقد يزيد هذا من نسبة المخاطر طوال مدة العمل بصورة واضحة. وللحصول على تقدير دقيق لحجم المخاطر ينبغي أيضا مراعاة الأوقات التي يتم فيها إيقاف الجهاز أو التي يتم فيها تشغيل الجهاز ولكن دون استخدام حقيقي. وقد يقلل هذا من نسبة المخاطر طوال مدة العمل بصورة واضحة.



احرص على اتخاذ إجراءات إضافية للسلامة من شأنها حماية المستخدم من تأثير الضجيج و/أو الاهتزازات مثل: صيانة الأداة الكهربائية وأدوات الشغل والمفاظ على الأيدي في حالة دافئة وتنظيم مراحل العمل.

معلومات الضجيج

SIW 22-A	SID 22-A	SIW 14-A	SID 14-A	
97 ديسيبل (A)	97 ديسيبل (A)	94 ديسيبل (A)	94 ديسيبل (A)	مستوى شدة الصوت (L_{WA})
3 ديسيبل (A)	3 ديسيبل (A)	3 ديسيبل (A)	3 ديسيبل (A)	نسبة التفاوت لمستوى شدة الصوت (K_{WA})
86 ديسيبل (A)	86 ديسيبل (A)	83 ديسيبل (A)	83 ديسيبل (A)	مستوى ضغط الصوت المنبعث (L_{pA})
3 ديسيبل (A)	3 ديسيبل (A)	3 ديسيبل (A)	3 ديسيبل (A)	نسبة التفاوت لمستوى ضغط الصوت (K_{pA})

قيم الاهتزاز الإجمالية

SIW 22-A	SID 22-A	SIW 14-A	SID 14-A	
11 م/ثانية ²	11 م/ثانية ²	7.5 م/ثانية ²	7.5 م/ثانية ²	قيمة انبعاث الاهتزاز عند ربط البراغي والصواميل وفقا للحد الأقصى للمقاس المسموح (a_h)
1.5 م/ثانية ²	1.5 م/ثانية ²	1.5 م/ثانية ²	1.5 م/ثانية ²	نسبة التفاوت بالنسبة لربط البراغي والصواميل عند أقصى مقاس مسموح به

2.4 ضبط عزم الدوران

يتم اختيار عزم الدوران من خلال وضع مفتاح تحويل عزم الدوران.

الموديل SID ...

SID 14-A
SID 22-A

الموديل		الوضع I	عزم الدوران
SID 22-A	SID 14-A		
60 نيوتن متر	50 نيوتن متر	الوضع II	
110 نيوتن متر	100 نيوتن متر	الوضع III	
165 نيوتن متر	150 نيوتن متر		

الموديل SIW ...

SIW 14-A
SIW 22-A

SIW 14-A		الوضع I	عزم الدوران
رأس رباعي خارجي 1/2 بوصة مع قبة	رأس رباعي خارجي 3/8 بوصة مع حلقة تأمين		
80 نيوتن متر	65 نيوتن متر	الوضع II	
120 نيوتن متر	115 نيوتن متر	الوضع III	
185 نيوتن متر	160 نيوتن متر		

SIW 22-A		الوضع I	عزم الدوران
رأس رباعي خارجي 1/2 بوصة مع قبة	رأس رباعي خارجي 3/8 بوصة مع حلقة تأمين		
90 نيوتن متر	75 نيوتن متر	الوضع II	
135 نيوتن متر	120 نيوتن متر	الوضع III	
200 نيوتن متر	175 نيوتن متر		



3.4 البطارية 14,4 فلت

جهد تشغيل البطارية	14.4 فلت
درجة الحرارة المحيطة	-10° م ... 60° م
درجة حرارة التخزين	-20° م ... 40° م

4.4 البطارية 21,6 فلت

جهد تشغيل البطارية	21.6 فلت
درجة الحرارة المحيطة	-17° م ... 60° م
درجة حرارة التخزين	-20° م ... 40° م

5 التحضير للعمل

⚠ احترس:

خطر الإصابة من خلال التشغيل غير المقصود!

- ← تأكد قبل إدخال البطاريات أن الجهاز المختص مطفأ.
- ← اخلع البطارية قبل إجراء عمليات ضبط الجهاز أو تغيير أجزاء الملحقات التكميلية.

تراجع إرشادات الأمان والإرشادات التحذيرية الواردة في هذا المستند وعلى الجهاز.

1.5 شحن البطارية

1. قبل الشحن، قم بقراءة دليل استعمال جهاز الشحن.
2. احرص على أن تكون أطراف تلامس البطارية وجهاز الشحن نظيفة وجافة.
3. قم بشحن البطارية باستخدام شاحن مصرح به.

2.5 تركيب البطارية

⚠ احترس:

خطر الإصابة من خلال قفلة كهربائية أو سقوط البطارية!

- ← تأكد قبل تركيب البطاريات في الجهاز من عدم وجود أجسام غريبة بين أطراف توصيل البطارية والجهاز.
- ← تأكد من تثبيت البطارية بشكل صحيح دائماً.

1. اشحن البطارية لآخرها تماماً قبل التشغيل لأول مرة.
2. قم بتركيب البطارية في حامل الجهاز إلى أن تثبت بصوت مسموع.
3. تفحص البطارية من حيث ثباتها في موضعها بشكل جيد.

3.5 خلع البطارية

1. اضغط على أزرار تحرير البطارية.
2. اخلع البطارية من الجهاز.

4.5 تركيب خطاف الحزام (تجهيز اختياري) 2

⚠ تحذير

خطر الإصابة خطر بسبب سقوط الجهاز.

- ← الجهاز الذي يتعرض للسقوط قد يعرضك أنت والآخرين للخطر. تأكد قبل بدء العمل أن خطاف الحزام مثبت جيداً.

i عن طريق خطاف الحزام يمكنك تثبيت الجهاز في الحزام بحيث يكون ملتصقا بالجسم. يمكن تركيب خطاف الحزام للارتداء على الجانب الأيمن والأيسر.

1. اخلع البطارية. ← صفحة 111



2. أدخل خطاف الحزام في الفتحة المخصصة بقاعدة المفك.
3. ثبت خطاف الحزام باستخدام البرغيين.

5.5 تركيب أداة الشغل 3

SID 14-A
SID 22-A

1. تأكد من نظافة طرف إدخال أداة الشغل.
◀ قم عند اللزوم بتنظيف طرف الإدخال.
2. اجعل مفتاح تحويل الدوران جهة اليمين/اليسار في الوضع الأوسط أو افصل البطارية من الجهاز.
3. أدخل أداة الشغل في ظرف تركيب الأدوات حتى النهاية واطرکہا تثبت في موضعها.
4. احرص قبل التشغيل لأول مرة على فحص أداة الشغل من حيث إحكام الربط والوضع الصحيح.

6.5 تركيب أداة الشغل 4

SIW 14-A
SIW 22-A

1. تأكد من نظافة طرف إدخال أداة الشغل.
◀ قم عند اللزوم بتنظيف طرف الإدخال.
2. اجعل مفتاح تحويل الدوران جهة اليمين/اليسار في الوضع الأوسط أو افصل البطارية من الجهاز.
3. اضبط وضعية التحويل الجانبي في أداة الشغل المزودة بالقبعة على ظرف تركيب الأدوات.
4. اضغط أداة الشغل في ظرف تركيب الأدوات إلى أن تثبت بصوت مسموع.
5. احرص قبل التشغيل لأول مرة على فحص أداة الشغل من حيث إحكام الربط والوضع الصحيح.

7.5 تركيب أداة الشغل 5

SIW 22-A

⚠ احترس:

خطر الإصابة من جراء استخدام أداة خاطئة!

- ◀ اقتصر على استخدام الأدوات المزودة بخاصية إحكام القفل.
- ◀ لا تستخدم أدوات متآكلة أو تالفة.

1. اضبط مفتاح تحويل الدوران جهة اليمين / اليسار في الوضع الأوسط أو افصل البطارية من الجهاز.
2. اخلع حلقة الإحكام من صمولة اللقمة المجوفة.
3. أخرج خابور التثبيت.
4. قم بتركيب اللقمة المجوفة على الحافة الرباعية لوحدة الإدارة الخاصة بالجهاز.

i احرص على أن تتطابق ثقب موضع تثبيت حلقة التأمين الخاصة بالرأس الرباعية لوحدة الإدارة مع اللقمة المجوفة.

5. أدخل خابور التأمين في اللقمة المجوفة.
6. قم بتركيب حلقة الإحكام على اللقمة المجوفة.
7. احرص قبل التشغيل لأول مرة على فحص أداة الشغل من حيث إحكام الربط والوضع الصحيح.

6 الاستعمال

تراجع إرشادات الأمان والإرشادات التحذيرية الواردة في هذا المستند وعلى الجهاز.



1.6 ضبط عزم الدوران 7

استمر في الضغط على مفتاح اختيار عزم الدوران إلى أن تظهر درجة عزم الدوران المرغوبة بجانب مفتاح تحويل عزم الدوران يسارا.

SID 14-A
SID 22-A

الموديل SID ... ← صفحة 110

SIW 14-A
SIW 22-A

الموديل SIW ... ← صفحة 110

2.6 ضبط الدوران جهة اليمين/اليسار 7

يوجد قفل يمنع التحويل عندما يكون الموتور دائرا. في الوضع الأوسط يكون مفتاح التحكم مقفلا (مانع التشغيل).



اضبط مفتاح التحويل يمينا/يسارا في اتجاه الدوران المرغوب.

3.6 التشغيل

اضغط على مفتاح التحكم.
يمكن ضبط عدد اللفات من خلال عمق الفجوة.

4.6 ربط وحل البراغي

⚠️ احترس:

خطر الإصابة من جراء قطع الشغل التالفة! من الممكن أن تتعرض البراغي وقطعة الشغل للضرر عند ارتفاع عزم الدوران بشكل بالغ. وقد يؤدي ذلك إلى حدوث إصابات.
تأكد أن البراغي وقطعة الشغل مناسبة لعزم الدوران المتولد عن الجهاز.

- اجعل مفتاح تحويل الدوران جهة اليمين/اليسار في الوضع الأوسط أو افصل البطارية من الجهاز.
- اضبط عزم الدوران المرغوب بمفتاح اختيار عزم الدوران. ← صفحة 113

5.6 الإيقاف

اترك مفتاح التحكم.

6.6 تفكيك أداة الشغل 3

SID 14-A
SID 22-A

⚠️ احترس:

خطر الإصابة بسبب أداة الشغل! تكون أداة الشغل ساخنة وحادة الحواف. لذلك احرص على ارتداء قفاز واقي عند استخدام الجهاز أو تغيير أداة الشغل.

- اجعل مفتاح تحويل الدوران جهة اليمين/اليسار في الوضع الأوسط أو افصل البطارية من الجهاز.
- اجذب الحلقة الموجودة بظرف تركيب الأدوات إلى الأمام وأمسكها جيدا.
- أخرج أداة الشغل من ظرف تركيب الأدوات.
- قم بحل الحلقة من ظرف تركيب الأدوات.



⚠ احترس:

خطر الإصابة بسبب أداة الشغل! تكون أداة الشغل ساخنة وحادة الحواف.
لذلك احرص على ارتداء قفاز واقى عند استخدام الجهاز أو تغيير أداة الشغل.

1. اجعل مفتاح تحويل الدوران جهة اليمين/اليسار في الوضع الأوسط أو افصل البطارية من الجهاز.
2. أخرج أداة الشغل من ظرف تركيب الأدوات.

1. اضبط مفتاح تحويل الدوران جهة اليمين / اليسار في الوضع الأوسط أو افصل البطارية من الجهاز.
2. اخلع حلقة الإحكام من صمولة اللقمة المجوفة.
3. أخرج خابور التأمين.
4. اخلع اللقمة المجوفة من الحافة الرباعية لوحدة الإدارة الفاصلة بالجهاز.
5. قم بتركيب خابور التأمين.
6. قم بتركيب حلقة الإحكام لتأمين اللقمة المجوفة.

7 العناية والصيانة**⚠ تحذير**

خطر الإصابة عند تكون البطارية مركبة!

احرص على خلع البطارية دائماً قبل جميع أعمال الإصلاح والعناية!

العناية بالجهاز

- قم بإزالة الاتساخ الملتصق برص.
- قم بتنظيف فتحات التهوية برص باستخدام فرشاة جافة.
- نظف جسم الجهاز باستخدام قطعة قماش مبللة بعض الشيء. لا تستخدم مواد عناية تحتوي على السيليكون لما قد تتسبب فيه من الإضرار بالأجزاء البلاستيكية.

العناية ببطاريات أيونات الليثيوم

- حافظ على البطارية نظيفة وخالية من الزيت والشحم.
- نظف جسم الجهاز باستخدام قطعة قماش مبللة بعض الشيء. لا تستخدم مواد عناية تحتوي على السيليكون لما قد تتسبب فيه من الإضرار بالأجزاء البلاستيكية.
- تجنب تسرب الرطوبة إليها.

الصيانة

- افحص جميع الأجزاء المرئية من حيث وجود أضرار وافحص عناصر الاستعمال من حيث كفاءتها الوظيفية.
- في حالة وجود أضرار و/أو اختلالات وظيفية لا تقم بتشغيل المنتج. احرص على الفور على إصلاحه لدى مركز خدمة Hilti.
- بعد أعمال العناية والإصلاح قم بتركيب جميع تجهيزات الحماية وافحصها من حيث الأداء الوظيفي.

للتشغيل الآمن اقتصِر على استخدام قطع الغيار الأصلية وخامات الشغل. تجد قطع الغيار وخامات الشغل والملحقات المصراع بها من قبلنا للمنتج الخاص بك في متجر **Hilti Store** أو على موقع الإنترنت: www.hilti.group



النقل

⚠ احترس:

التشغيل غير مقصود عند النقل!

◀ قم بنقل المنتج دائما بدون البطاريات!

- ◀ اخلع البطاريات.
- ◀ تجنب نقل البطاريات في كميات سائبة.
- ◀ بعد النقل لمسافة طويلة أو التخزين افحص الجهاز والبطاريات قبل الاستخدام من حيث وجود أضرار.

التخزين

⚠ احترس:

أضرار غير مقصودة بسبب البطاريات التالفة أو التي بها تسريب.!

- ◀ قم بتخزين المنتج دائما بدون البطاريات!
- ◀ يجب تخزين الجهاز والبطاريات في مكان جاف وبارد قدر الإمكان.
- ◀ تجنب تخزين البطاريات تحت أشعة الشمس أو على أجهزة التدفئة أو خلف النوافذ الزجاجية.
- ◀ احرص على تخزين الجهاز والبطاريات في مكان يصعب على الأطفال وغير المؤهلين لاستخدامه الوصول إليه.
- ◀ بعد النقل لمسافة طويلة أو التخزين افحص الجهاز والبطاريات قبل الاستخدام من حيث وجود أضرار.

9 المساعدة في حالات الاختلالات

عند حدوث اختلالات غير مذكورة في الجدول أو يتعذر عليك معالجتها بنفسك، فيرجى التوجه إلى مركز خدمة Hilti.

1.9 المساعدة في حالات الاختلالات

الخلل	السبب المحتمل	الحل
الجهاز لا يعمل.	لم يتم إدخال البطارية حتى النهاية.	◀ قم بتركيب البطارية. ← صفحة 111
لا يمكن الضغط على مفتاح التحكم أو المفتاح مقفل.	البطارية فارغة الشحنة.	◀ اشحن البطارية. ← صفحة 111
لا يمكن الضغط على مفتاح التحكم أو المفتاح مقفل.	مفتاح تحويل الدوران يمينا/يسارا في الوضع الأوسط.	◀ اضبط مفتاح التحويل يمينا/يسارا. ← صفحة 113
عدد اللفات ينخفض بشدة بشكل مفاجئ.	البطارية فارغة الشحنة.	◀ اشحن البطارية. ← صفحة 111
شحنة البطارية تفرغ بشكل أسرع من المعتاد.	درجة حرارة محيطية شديدة الانخفاض.	◀ اترك البطارية تسخن ببطء حتى درجة حرارة الغرفة.
البطارية لا تثبت بصوت طقطقة مزدوجة مسموع.	أطراف تثبيت البطارية متسخة.	◀ قم بتنظيف موضع التثبيت ثم ضع البطارية في مكانها. إذا استمر وجود المشكلة، توجه إلى مركز خدمة Hilti.
تنشأ سخونة شديدة بالجهاز أو البطارية.	عطل كهربائي.	◀ قم بإيقاف الجهاز على الفور، اخلع البطاريات وافحصها جيدا، ثم أتركها تبرد واتصل بمركز خدمة Hilti.
	هناك تمهيل زائد على الجهاز (تم تجاوز حد الاستخدام).	◀ اختر الجهاز المناسب للاستخدام.

10 التكفين

🔄 أجهزة Hilti مصنوعة بنسبة كبيرة من مواد قابلة لإعادة التدوير. يشترط لإعادة التدوير أن يتم فصل الغامات بشكل سليم فنيا. في العديد من الدول تقوم شركة Hilti باستغلال الأجهزة القديمة لإعادة تدويرها. وللمعلومات حول ذلك اتصل بخدمة عملاء Hilti أو الموزع القريب منك.



التخلص من البطاريات

قد يُشكل التخلص من البطاريات بطريقة غير مطابقة للتعليمات خطراً على الصحة، وذلك من خلال تسرب الغازات أو السوائل.

- ◀ لا تقم بإرسال أو توريد بطاريات تالفة!
- ◀ قم بتغطية التوصيلات باستخدام مادة غير موصلة للكهرباء، وذلك لتجنب حدوث قفلات كهربائية.
- ◀ تخلص من البطاريات بحيث لا تصل إلى متناول الأطفال.
- ◀ تخلص من البطارية لدى متجر **Hilti Store** أو توجه إلى مركز التخلص من النفايات المختص.

◀ لا تعلق الأدوات الكهربائية، الأجهزة الإلكترونية والبطاريات ضمن القمامة المنزلية!

**11 مواصفة RoHS (مواصفة تقييد استخدام المواد الخطيرة)**

ستجد جدول المواد الخطرة من خلال الروابط التالية: qr.hilti.com/r4923، qr.hilti.com/r4922، qr.hilti.com/r4927 و qr.hilti.com/r4926.

تجد رابط خاص بجدول المواد التي تخص المواصفة RoHS في نهاية هذا المستند على هيئة كود QR.

12 ضمان الجبة الصانعة

◀ في حالة وجود أية استفسارات بخصوص شروط الضمان، يرجى التوجه إلى وكيل **Hilti** المحلي الذي تتعامل معه.



Originālā lietošanas instrukcija

1 Informācija par dokumentāciju

1.1 Par šo dokumentāciju

- Pirms ekspluatācijas sākšanas obligāti izlasiet šo dokumentāciju. Tas ir priekšnoteikums darba drošībai un izstrādājuma lietošanai bez traucējumiem.
- Ievērojiet drošības norādījumus un brīdinājumus, kas atrodami šajā dokumentācijā un uz izstrādājuma.
- Vienmēr glabājiet lietošanas instrukciju izstrādājuma tuvumā un nododiet to kopā ar izstrādājumu, ja tas tiek nodots citām personām.

1.2 Apzīmējumu skaidrojums

1.2.1 Brīdinājumi

Brīdinājumi pievērš uzmanību bīstamībai, kas pastāv, strādājot ar izstrādājumu. Tiek lietoti šādi signālvārdi:

BĪSTAMI!

BĪSTAMI! !

- ▶ Pievērš uzmanību draudošām briesmām, kas var izraisīt smagus miesas bojājumus vai nāvi.

BRĪDINĀJUMS!

BRĪDINĀJUMS! !

- ▶ Pievērš uzmanību iespējamam apdraudējumam, kas var izraisīt smagas traumas vai pat nāvi.





IEVĒROT PIESARDZĪBU!

UZMANĪBU! !

- ▶ Norāda uz iespējami bīstamām situācijām, kas var izraisīt vieglas traumas vai materiālos zaudējumus.




1.2.2 Dokumentācijā lietotie simboli

Šajā dokumentācijā tiek lietoti šādi simboli:

	Pirms lietošanas izlasiet instrukciju
	Norādījumi par lietošanu un cita noderīga informācija
	Rīcība ar otrreiz pārstrādājamiem materiāliem
	Neizmetiet elektroiekārtas un akumulatorus sadzīves atkritumos.

1.2.3 Attēlos lietotie simboli

Attēlos tiek lietoti šādi simboli:

	Šie skaitļi norāda uz attiecīgajiem attēliem, kas atrodami šīs instrukcijas sākumā.
3	Numerācija attēlos atbilst veicamo darbību secībai un var atšķirties no darbību apraksta tekstā.
	Pozīciju numuri tiek lietoti attēlā Pārskats un norāda uz leģendas numuriem sadaļā Izstrādājuma pārskats .
	Šī simbola uzdevums ir pievērst īpašu uzmanību izstrādājuma lietošanas laikā.

1.3 Simboli atkarībā no izstrādājuma

1.3.1 Simboli uz izstrādājuma

Uz izstrādājuma var tikt lietoti šādi simboli:



	Urbšana bez triecienu funkcijas
	Triecienurbšana
/min	Apgriezieni minūtē
n_0	Nominālais apgriezienu skaits tukšgaitā
	Līdzstrāva
Li-Ion	Litija jonu akumulators
	Lietojamā Hilti litija jonu akumulatoru sērija. Ņemiet vērā informāciju, kas iekļauta nodaļā Nosacījumiem atbilstīga lietošana .
	Iekārta atbalsta tehnoloģiju NFC, kas ir saderīga ar iOS un Android platformām.
	Nekādā gadījumā nelietojiet akumulatoru kā triecieninstrumentu.
	Sargājiet akumulatoru no kritieniem. Nelietojiet akumulatoru, ja tas ir bijis pakļauts triecienam vai tam ir radušies cita veida bojājumi.

1.4 Izstrādājuma informācija

izstrādājumi ir paredzēti profesionāliem lietotājiem, un to darbināšanu, apkopi un tehniskā stāvokļa uzturēšanu drīkst veikt tikai kvalificēts, atbilstīgi apmācīts personāls. Personālam ir jābūt labi informētam par iespējamajiem riskiem, kas var rasties darba laikā. Izstrādājums un tā papildaprīkojums var radīt bīstamas situācijas, ja to uztic neprofesionālam personālam vai nelieto atbilstīgi nosacījumiem.

Iekārtas tipa apzīmējums un sērijas numurs ir norādīti uz identifikācijas datu plāksnītes.

- ▶ Ierakstiet sērijas numuru zemāk redzamajā tabulā. Izstrādājuma dati jānorāda, vēršoties mūsu pārstāvēniecībā vai servisā.

Izstrādājuma dati

Skrūvēšanas iekārta ar akumulatoru	SID 14-A, SID 22-A
Ar akumulatoru darbināma skrūvēšanas iekārta ar triecienu funkciju	SIW 14-A, SIW 22-A
Paaudze:	01
Sērijas Nr.:	

1.5 Atbilstības deklarācija

Uzņemoties pilnu atbildību, mēs apliecinām, ka šeit aprakstītais izstrādājums atbilst šādām direktīvām un standartiem: Atbilstības deklarācijas attēls ir atrodams šīs dokumentācijas beigās.

Tehniskā dokumentācija ir saglabāta šeit:

Hilti Entwicklungsgesellschaft mbH | Zulassung Geräte | Hiltistraße 6 | 86916 Kaufering, DE

2 Drošība

2.1 Vispārīgi drošības norādījumi par darbu ar elektroiekārtām

⚠ BRĪDINĀJUMS! Iepazīstieties ar visiem drošības norādījumiem, instrukcijām, attēliem un tehniskajiem parametriem, kas attiecas uz šo elektroiekārtu. Turpmāk izklāstīto instrukciju neievērošana var izraisīt elektrošoku, ugunsgrēku un/vai nopietnas traumas.

Saglabājiet visus drošības norādījumus un instrukcijas turpmākai lietošanai.

Drošības norādījumos lietotais apzīmējums "elektroiekārta" attiecas uz iekārtām ar tīkla barošanu (ar barošanas kabeli) vai iekārtām ar barošanu no akumulatora (bez kabeļa).

Drošība darba vietā

- ▶ **Uzturiet darba vietā tīrību un kārtību un nodrošiniet labu apgaismojumu.** Nekārtīgā darba vietā vai sliktā apgaismojumā var viegli notikt nelaimes gadījums.



- ▶ **Nestrādājiet ar elektroiekārtu sprādzienbīstamā vidē, kur atrodas uzliesmojoši šķidrumi, gāzes vai putekļi.** Darbības laikā elektroiekārtas mēdz dzirkstēļot, un tas var izraisīt viegli uzliesmojošu putekļu vai tvaiku aizdegšanos.
- ▶ **Lietojot elektroiekārtu, neļaujiet nepiederošām personām un jo īpaši bērniem tuvoties darba vietai.** Citu personu klātbūtne var novērst uzmanību, un tā rezultātā jūs varat zaudēt kontroli pār iekārtu.

Elektrodrošība

- ▶ **Elektroiekārtas kontaktdakšai jāatbilst elektrotīkla kontaktligzdai. Kontaktdakšas konstrukciju nedrīkst nekādā veidā mainīt. Kopā ar elektroiekārtām, kurām ir aizsargzēmējums, nedrīkst lietot adapterus spraudņus.** Neizmainītas konstrukcijas kontaktdakša, kas atbilst kontaktligzdai, ļauj samazināt elektrošoka risku.
- ▶ **Darba laikā nepieskarieties saņemtiem priekšmetiem, piemēram, caurulēm, radiatoriem, plītim vai ledusskapjiem.** Pieskaroties saņemtām virsmām, pieaug risks saņemt elektrisko triecienu.
- ▶ **Nelietojiet elektroiekārtu lietus laikā, neturiet to mitrumā.** Mitrumam iekļūstot elektroiekārtā, pieaug risks saņemt elektrisko triecienu.
- ▶ **Nenesiet un nepakariniet elektroiekārtu aiz barošanas kabeļa un neraujiet aiz kabeļa, ja vēlaties atvienot iekārtu no elektrotīkla kontaktligzdas. Sargājiet barošanas kabeli no karstuma, eļļas, asām šķautnēm vai kustīgām detaļām.** Bojāts vai sapīņķerējis barošanas kabelis var kļūt par cēloni elektrošokam.
- ▶ **Darbinot elektroiekārtu ārpus telpām, izmantojiet tās pievienošanai vienīgi tādus pagarinātāja-kabeļus, kas ir paredzēti lietošanai brīvā dabā.** Lietojot elektrokabeļi, kas ir piemērots darbam ārpus telpām, samazinās elektrošoka risks.
- ▶ **Ja elektroiekārtas izmantošana slapjā vidē ir obligāti nepieciešama, lietojiet bojājumstrāvas aizsargslēdzi.** Bojājumstrāvas aizsargslēdža lietošana samazina elektrošoka risku.

Personiskā drošība

- ▶ **Strādājiet ar elektroiekārtu uzmanīgi, darba laikā saglabājiet paškontroli un rīkojieties saskaņā ar veselo saprātu. Ar elektroiekārtu nedrīkst strādāt personas, kas ir nogurušas vai atrodas narkotiku, alkohola vai medikamentu ietekmē.** Mirklis neuzmanības, strādājot ar elektroiekārtu, var novest pie nopietnām traumām.
- ▶ **Izmantojiet individuālos aizsardzības līdzekļus un darba laikā vienmēr valkājiet aizsargbrilles.** Individuālo aizsardzības līdzekļu (putekļu aizsargmaskas, neslidošu apavu un aizsargķiveres vai ausu aizsargu) lietošana atbilstoši elektroiekārtas tipam un veicamā darba raksturam ļauj izvairīties no savainojumiem.
- ▶ **Nepieļaujiet iekārtas nekontrolētas ieslēgšanās iespēju. Pirms pievienošanas elektrotīklam, akumulatora ievietošanas, elektroiekārtas satveršanas vai pārvietošanas pārliecinieties, ka tā ir izslēgta.** Ja iekārtas pārvietošanas laikā pirksts atrodas uz slēdža vai ja ieslēgta iekārta tiek pievienota elektrotīklam, var notikt nelaimes gadījums.
- ▶ **Pirms elektroiekārtas ieslēgšanas jānoņem visi regulēšanas piederumi un uzgriežņu atslēgas.** Regulēšanas piederumi vai uzgriežņu atslēga, kas iekārtas ieslēgšanas brīdī atrodas iekārtā, var radīt traumas.
- ▶ **Izvairieties no nedabiskām pozām. Darba laikā vienmēr saglabājiet līdzsvaru un nodrošinieties pret paslīdēšanu.** Tas atvieglos elektroiekārtas vadību neparedzētās situācijās.
- ▶ **Izvēlieties darbam piemērotu apģērbu. Darba laikā nenēsājiet brīvi plandošas drēbes un rotaslietas. Netuviniet matus, apģērbu un aizsargcimdus iekārtas kustīgajām daļām.** Valģīgas drēbes, rotaslietas un gari mati var ieķerties iekārtas kustīgajās daļās.
- ▶ **Ja elektroiekārtas konstrukcija ļauj pievienot putekļu nosūcšanas vai savākšanas ierīci, sekojiet, lai tā būtu pievienota un tiktu darbināta pareizi.** Putekļu nosūcēja lietošana samazina putekļu kaitīgo ietekmi.
- ▶ **Nezaudējiet modrību un neatkāpieties no elektroiekārtu lietošanas drošības noteikumu ievērošanas arī tad, ja lietojat attiecīgo elektroiekārtu bieži un kārtīgi to pārziņāt.** Neuzmanība vienā sekundes daļā var novest pie smagām traumām.

Elektroiekārtas lietošana un apkope

- ▶ **Nepārslodojiet elektroiekārtu. Katram darbam izvēlieties piemērotu iekārtu.** Elektroiekārta darbosies labāk un drošāk pie nominālās slodzes.
- ▶ **Nelietojiet elektroiekārtu, ja ir bojāts tās slēdzis.** Elektroiekārta, ko nevar ieslēgt un izslēgt, ir bīstama un nekavējoties jānodod remontā.
- ▶ **Pirms iestatījumu veikšanas, aprikojuma daļu nomaiņas vai iekārtas novietošanas uzglabāšanā atvienojiet kontaktdakšu no elektrotīkla un/vai noņemiet noņemamo akumulatoru.** Šādi jūs novērsīsiet elektroiekārtas nejaušas ieslēgšanās risku.



- ▶ **Elektroiekārtu, kas netiek darbināta, uzglabājiet piemērotā vietā. Neļaujiet lietot iekārtu personām, kas nav iepaziņušas ar tās funkcijām un izlasījušas šo lietošanas instrukciju.** Ja elektroiekārtu lieto nekompententas personas, tas var apdraudēt cilvēku veselību.
- ▶ **Rūpīgi veiciet elektroiekārtu un to piederumu apkopi.** Pārbaudiet, vai kustīgās daļas darbojas bez traucējumiem un neķeras un vai kāda no daļām nav salauzta vai bojāta un tādējādi netraucē elektroiekārtas nevainojamu darbību. Raugieties, lai pirms iekārtas lietošanas tiktu nomainītas vai saremontētas bojātās daļas. Daudzi nelaimes gadījumi notiek tāpēc, ka elektroiekārtām nav nodrošināta pareiza apkope.
- ▶ **Griezējinstrumentiem vienmēr jābūt uzasinātiem un tīriem.** Rūpīgi kopti griezējinstrumenti ar asām šķautnēm retāk iestrēgst un ir vieglāk vadāmi.
- ▶ **Lietojiet elektroiekārtu, piederumus, maināmos instrumentus utt. saskaņā ar šiem norādījumiem.** Jāņem vērā arī konkrētie darba apstākļi un veicamās operācijas īpatnības. Elektroiekārtu lietošana citiem mērķiem, nekā to ir paredzējis ražotājs, ir bīstama un var izraisīt neparedzamas sekas.
- ▶ **Raugieties, lai rokturu un satveršanas virsmas būtu sausas, tīras, nenotraipītas ar eļļu un smērvielām.** Ja rokturu vai satveršanas virsmas ir slidenas, nav iespējama droša elektroiekārtas vadība un kontrole neparedzamās situācijās.

Ar akumulatoru darbināmas iekārtas lietošana un apkope

- ▶ **Akumulatora uzlādei jālieto tikai ražotāja ieteiktie lādētāji.** Noteikta veida akumulatoriem paredzēts lādētājs kļūst ugunsbīstams, ja to izmanto ar cita veida akumulatoriem.
- ▶ **Izmantojiet elektroiekārtas barošanai tikai tai paredzētos akumulatorus.** Cita tipa akumulatoru lietošana var izraisīt iekārtas un/vai akumulatora aizdegšanos.
- ▶ **Laikā, kad akumulators ir atvienots no iekārtas, nepieļaujiet tā kontaktu saskaršanos ar saspaudēm, monētām, atslēgām, naglām, skrūvēm vai citiem nelieliem metāla priekšmetiem, kas varētu izraisīt īssavienojumu.** Ja starp akumulatora kontaktiem rodas īssavienojums, tas var sadegt vai kļūt par ugunsgrēka cēloni.
- ▶ **Nepareizi lietojot akumulatoru, no tā var izplūst šķidrums. Nepieļaujiet tā nokļūšanu uz ādas. Ja tas tomēr nejausi ir noticis, noskalojiet ar ūdeni. Ja šķidrums iekļūst acīs, izskalojiet acis un nekavējoties vērsieties pie ārsta.** No akumulatora izplūdušais šķidrums var izraisīt ādas kairinājumu vai apdegumus.
- ▶ **Nelietojiet bojātus vai modificētus akumulatorus.** Bojāti vai modificēti akumulatori var radīt neparedzamas situācijas un izraisīt ugunsgrēku, eksploziju vai traumas.
- ▶ **Nepakļaujiet akumulatoru uguns vai augstas temperatūras iedarbībai.** Uguns vai temperatūra virs 130 °C (265 °F) var izraisīt eksploziju.
- ▶ **Ievērojiet norādījumus par akumulatora lādēšanu un nekad nelādējiet akumulatoru vai ar akumulatoru darbināmo iekārtu ārpus lietošanas instrukcijā norādītā temperatūras diapazona.** Nepareiza lādēšana vai pieļaujamā temperatūras diapazona pārsniegšana var sabojāt akumulatoru un palielināt aizdegšanās risku.

Serviss

- ▶ **Uzdodiet elektroiekārtas remontu veikt tikai kvalificētam personālam, kas izmanto vienīgi oriģinālās rezerves daļas.** Tikai tā ir iespējams saglabāt iekārtas funkcionālo drošību.
- ▶ **Nekādā gadījumā neveiciet bojātu akumulatoru apkopi.** Jebkādus akumulatoru apkopes darbus drīkst veikt tikai ražotājs vai atbilstīgi pilnvarots klientu apkalpošanas dienests.

2.2 Drošības norādījumi darbam ar skrūvēšanas iekārtām un skrūvēšanas iekārtām ar triecienmehānismu

- ▶ **Ja darba laikā pastāv iespēja, ka skrūve var nonākt saskarē ar apslēptiem elektriskajiem vadiem, satveriet iekārtu tikai aiz izolētajām rokturu virsmām.** Skrūvei saskaroties ar spriegumam pieslēgtiem vadiem, spriegums tiek novadīts arī uz iekārtas metāla daļām, tādējādi radot elektrošoka risku.

2.3 Papildu drošības norādījumi par skrūvēšanas iekārtu

Personīgā drošība

- ▶ Lietojiet izstrādājumu tikai tad, ja tas ir tehniski nevainojamā stāvoklī.
- ▶ Nekādā gadījumā nemēģiniet ietekmēt iekārtas funkcijas vai to pārveidot.
- ▶ Lietojiet kopā ar iekārtu piegādātos papildu rokturus. Kontroles zudums var kļūt par cēloni traumām.
- ▶ Vienmēr turiet iekārtu ar abām rokām aiz tam paredzētajiem rokturiem. Raugieties, lai rokturi vienmēr būtu sausi un tīri.
- ▶ Izvairieties no saskares ar rotējošām daļām. Traumu risks!



- ▶ Iekārtas lietošanas laikā valkājiet piemērotas aizsargbrilles, aizsargķiveri, ausu aizsargus, kā arī vieglu elpceļu aizsardzības aprīkojumu.
- ▶ Arī instrumenta maiņas laikā valkājiet aizsargcimdus. Saskare ar maināmo instrumentu var izraisīt grieztas traumas un apdegumus.
- ▶ Valkājiet aizsargbrilles vai masku. Materiāla šķembas var savainot ķermeni un acis.
- ▶ Pirms darba sākšanas noskaidrojiet darba laikā radušos putekļu bīstamības kategoriju. Lietojiet celtniecības putekļsūcēju ar oficiālas sertifikācijas ietvaros piešķirtu drošības klasifikāciju, kas atbilst vietējiem putekļu ietekmes ierobežošanas normatīviem. Putekļi, ko rada tādi materiāli kā, piemēram, svīnu saturoša krāsa, daži koksnes veidi, betons / mūris / kvarcu saturoši akmeņi, minerāli un metāls, var būt kaitīgi veselībai.
- ▶ Nodrošiniet darba vietā labu ventilāciju un, ja nepieciešams, valkājiet elpceļu aizsargmasku, kas aizsargā pret attiecīgā veida putekļiem. Saskare ar šiem putekļiem vai to ieelpošana var izraisīt lietotāja vai citu tuvumā esošo personu alerģiskas reakcijas un/vai elpceļu saslimšanas. Noteikti putekļu veidi, piemēram, ozola un skābarža koksnes putekļi, tiek uzskatīti par kancerogēniem – sevišķi kopā ar kokapstrādē izmantojamām vielām (hromātiem, koksnes aizsarglīdzekļiem). Azbestu saturošus materiālus drīkst apstrādāt tikai kompetenti speciālisti.
- ▶ Darba pārtraukumos veiciet pirkstu vingrinājumus, kas uzlabo asinsriti. Ilgstoša darba gadījumā vibrācija var radīt traucējumus pirkstu, roku vai plaukstu locītavu asinsvadu un nervu sistēmas funkcijās.

Elektrodrošība

- ▶ Pirms darba sākšanas pārbaudiet, vai darba zonā neatrodas neseģti elektrības vadi, gāzes vai ūdensapgādes caurules. Nejauši sabojājot zem sprieguma esošus vadus, iekārtas ārējās metāla daļas var izraisīt elektrošoku.

Rūpīga elektroiekārtu lietošana un apkope

- ▶ Nekavējoties izslēdziet elektroiekārtu, ja nobloķējas instruments. Iekārta var tikt novirzīta uz sāniem.
- ▶ Nekad nenolieciet elektroiekārtu, kamēr nav pilnībā apstājusies tajā nostiprinātā instrumenta kustība.

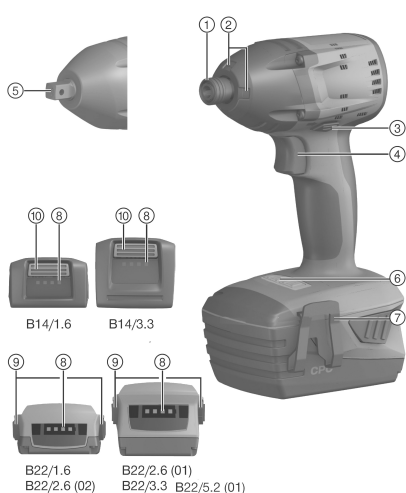
2.4 Akumulatoru pareiza lietošana un apkope

- ▶ Ievērojiet īpašos norādījumus par litija jonu akumulatoru transportēšanu, uzglabāšanu un ekspluatāciju.
- ▶ Sargājiet akumulatorus no augstas temperatūras, tiešiem saules stariem un uguns.
- ▶ Akumulatorus nedrīkst izjaukt, saspiest, sakarsēt virs 80 °C vai sadedzināt.
- ▶ Nemēģiniet izmantot vai uzlādēt akumulatorus, kas bijuši pakļauti triecienam, krituši no vairāk nekā viena metra augstuma vai ir citā veidā bojāti. Šādā gadījumā vienmēr vērsieties savā **Hilti servisā**.
- ▶ Ja akumulators kļūst pārāk karsts, iespējams, ka tas ir bojāts. Novietojiet iekārtu pietiekamā attālumā no degošiem materiāliem, vietā, kur nevar notikt aizdegšanās un kur to iespējams pastāvīgi novērot, un ļaujiet tai atdzist. Šādā gadījumā vienmēr vērsieties savā **Hilti servisā**.



3 Apraksts

3.1 Izstrādājuma pārskats 1



- ① Iekšējais sešstūris (SID)
- ② Apgaismojums
- ③ Labā / kreisā rotācijas virziena pārslēdzējs ar ieslēgšanas bloķēšanu
- ④ Vadības slēdzis (ar elektronisku rotācijas ātruma regulatoru)
- ⑤ Ārējais četrstūris (SIW)
- ⑥ Griezmes momenta pārslēdzējs
- ⑦ Jostas āķis (opcija)
- ⑧ Akumulatora uzlādes indikācija
- ⑨ Atbloķēšanas taustiņš (akumulatoram B22/...)
- ⑩ Atbloķēšanas taustiņš (akumulatoram B14/...)

3.2 Nosacījumiem atbilstīga lietošana

Aprakstītais izstrādājums ir manuāli vadāma, ar akumulatoru darbināma skrūvēšanas iekārta ar triecienu funkciju. Tā ir piemērota skrūšsavienojumu, uzgriežņu un vītņtapu pievilksšanai un atskrūvēšanai koka, metāla, mūra un betona konstrukcijās.

Skrūvēšanas iekārtu drīkst lietot tikai darbiem, kam nav nepieciešams precīzs / specifisks griezes moments. Pretējā gadījumā pastāv risks, ka skrūve tiks pārgriezta un sabojāta vai tiks nodarīti bojājumi apstrādājamai detaļai.

- ▶ Lietojiet kopā ar šo izstrādājumu tikai sērijas B14 (SID/SIW 14-A) vai B22 (SID/SIW 22-A) **Hilti** litija jona akumulatorus.
- ▶ Lietojiet šo akumulatoru uzlādēšanai tikai sērijas C4/36 **Hilti** lādētājus.

3.3 Uzlādes statusa indikācija

Litija jona akumulatora uzlādes statuss tiek parādīts pēc atbloķēšanas taustiņa vieglas nospiešanas (ne tālāk kā līdz sajūtamai pretestībai).

Statuss	Nozīme
4 LED deg.	Uzlādes statuss: no 75 % līdz 100 %
3 LED deg.	Uzlādes statuss: 50 % līdz 75 %
2 LED deg.	Uzlādes statuss: 25 % līdz 50 %
1 LED deg.	Uzlādes statuss: no 10 % līdz 25 %
1 LED mirgo.	Uzlādes statuss: < 10 %



Ja ir nospiesti vadības slēdzis, kā arī 5 sekunžu laikā pēc vadības slēdža atlaišanas nolasīt uzlādes statusa indikāciju nav iespējams.

3.4 Piegādes komplektācija

Skrūvēšanas iekārta ar triecienu funkciju, lietošanas instrukcija



Rezerves daļas un patēriņa materiālus, kuru lietošanu kopā ar šo iekārtu mēs akceptējam, var atrast **Hilti Store** vai tīmekļvietnē. www.hilti.group | ASV: www.hilti.com.



4 Skrūvēšanas iekārta ar triecienu funkciju

		SID 14-A	SIW 14-A
Nominālais spriegums		14,4 V	14,4 V
Svars saskaņā ar EPTA Procedure-01		1,6 kg	1,6 kg
Nominālais rotācijas ātrums tukšgaitā	Pozīcija I	0 apgr./min ... 1 000 apgr./min	0 apgr./min ... 1 000 apgr./min
	Pozīcija II	0 apgr./min ... 1 500 apgr./min	0 apgr./min ... 1 500 apgr./min
	Pozīcija III	0 apgr./min ... 2 500 apgr./min	0 apgr./min ... 2 300 apgr./min
Triecienu skaits		≤ 3 100/min	≤ 3 400/min
Griezes momenta noregulēšana		3 pakāpes	3 pakāpes
Liela izmēra standarta skrūves		M8 - M16	M8 - M16
Augstas izturības liela izmēra skrūves		M6 - M12	M6 - M12
Instrumenta patrona		1/4" iekšējais sešstūris ar drošības manšeti	1/2" ārējais četrstūris ar puslodi vai 3/8" ārējais četrstūris ar drošības gredzenu
Apkārtējā temperatūra darbības laikā		-17 °C ... 60 °C	-17 °C ... 60 °C
Uzglabāšanas temperatūra		-20 °C ... 70 °C	-20 °C ... 70 °C

		SID 22-A	SIW 22-A
Nominālais spriegums		21,6 V	21,6 V
Svars saskaņā ar EPTA Procedure-01		2,1 kg	2,1 kg
Nominālais rotācijas ātrums tukšgaitā	Pozīcija I	0 apgr./min ... 1 000 apgr./min	0 apgr./min ... 1 000 apgr./min
	Pozīcija II	0 apgr./min ... 1 500 apgr./min	0 apgr./min ... 1 500 apgr./min
	Pozīcija III	0 apgr./min ... 2 500 apgr./min	0 apgr./min ... 2 300 apgr./min
Triecienu skaits		≤ 3 450/min	≤ 3 500/min
Griezes momenta noregulēšana		3 pakāpes	3 pakāpes
Liela izmēra standarta skrūves		M8 - M16	M8 - M16
Augstas izturības liela izmēra skrūves		M6 - M12	M6 - M12
Instrumenta patrona		1/4" iekšējais sešstūris ar drošības manšeti	1/2" ārējais četrstūris ar puslodi vai 3/8" ārējais četrstūris ar drošības gredzenu
Apkārtējā temperatūra darbības laikā		-17 °C ... 60 °C	-17 °C ... 60 °C
Uzglabāšanas temperatūra		-20 °C ... 70 °C	-20 °C ... 70 °C

4.1 Informācija par troksni un vibrāciju saskaņā ar EN 62841

Šajās instrukcijās norādītie lielumi, kas raksturo skaņas spiedienu un vibrāciju, ir noteikti ar standartizētās mērījumu metodes palīdzību, un tos var izmantot elektroiekārtu savstarpējai salīdzināšanai. Tos var izmantot arī trokšņa un vibrācijas iedarbības pagaidu novērtējumam.

Norādītie parametri attiecas uz elektroiekārtas galvenajiem lietošanas veidiem. Taču, ja elektroiekārta tiek izmantota citos nolūkos, ar citiem maināmajiem instrumentiem vai netiek nodrošināta pietiekama tās apkope, parametri var atšķirties no norādītajiem. Tas var ievērojami palielināt trokšņa un vibrācijas iedarbību visā darba laikā.

Lai precīzi novērtētu iedarbību, jāņem vērā arī laiks, cik ilgi iekārta ir izslēgta vai ir ieslēgta, taču faktiski netiek darbināta. Tas var būtiski samazināt iedarbību kopējā darba laikā.

Jāparedz papildu drošības pasākumi, lai aizsargātu iekārtas lietotāju pret trokšņa un/vai vibrācijas iedarbību, piemēram, elektroiekārtas apkope, roku turēšana siltumā, darba procesu organizācija.



Informācija par troksni

	SID 14-A	SIW 14-A	SID 22-A	SIW 22-A
Skaņas jaudas līmenis (L_{WA})	94 dB(A)	94 dB(A)	97 dB(A)	97 dB(A)
Skaņas jaudas līmeņa pielaipe (K_{WA})	3 dB(A)	3 dB(A)	3 dB(A)	3 dB(A)
Skaņas spiediena līmenis (L_{pA})	83 dB(A)	83 dB(A)	86 dB(A)	86 dB(A)
Skaņas spiediena līmeņa pielaipe (K_{pA})	3 dB(A)	3 dB(A)	3 dB(A)	3 dB(A)

Kopējie vibrācijas rādītāji

	SID 14-A	SIW 14-A	SID 22-A	SIW 22-A
Svārstību emisija, pievelkot maksimālā pieļaujamā izmēra skrūves un uzgriežņus (a_h)	7,5 m/s ²	7,5 m/s ²	11 m/s ²	11 m/s ²
Maksimāli pieļaujamā izmēra skrūvju un uzgriežņu pievilkšanas rādītāju pielāides	1,5 m/s ²	1,5 m/s ²	1,5 m/s ²	1,5 m/s ²

4.2 Griezes momenta iestatīšana

Griezes momenta iestatīšanai izmanto griezes momenta pārslēdzēju.

Modelis SID ...

SID 14-A
SID 22-A

		Modelis	
		SID 14-A	SID 22-A
Griezes moments	Pozīcija I	50 Nm	60 Nm
	Pozīcija II	100 Nm	110 Nm
	Pozīcija III	150 Nm	165 Nm

Modelis SIW ...

SIW 14-A
SIW 22-A

		SIW 14-A	
		1/2" ārējais četrstūris ar puslodi	3/8" ārējais četrstūris ar drošības gredzenu
Griezes moments	Pozīcija I	80 Nm	65 Nm
	Pozīcija II	120 Nm	115 Nm
	Pozīcija III	185 Nm	160 Nm

		SIW 22-A	
		1/2" ārējais četrstūris ar puslodi	3/8" ārējais četrstūris ar drošības gredzenu
Griezes moments	Pozīcija I	90 Nm	75 Nm
	Pozīcija II	135 Nm	120 Nm
	Pozīcija III	200 Nm	175 Nm

4.3 Akumulators 14,4 V

Akumulatora darba spriegums	14,4 V
Apkārtējā temperatūra	-10 °C ... 60 °C
Uzglabāšanas temperatūra	-20 °C ... 40 °C



4.4 Akumulators 21,6 V

Akumulatora darba spriegums	21,6 V
Apkārtējā temperatūra	-17 °C ... 60 °C
Uzglabāšanas temperatūra	-20 °C ... 40 °C

5 Sagatavošanās darbam

IEVĒROT PIESARDZĪBU!

Traumu risks nejaušas iedarbošanās gadījumā!

- ▶ Pirms akumulatora ievietošanas pārliecinieties, ka attiecīgais izstrādājums ir izslēgts.
- ▶ Pirms iekārtas iestatīšanas vai piederumu nomaiņas izņemiet no iekārtas akumulatoru.

Ievērojiet drošības norādījumus un brīdinājumus, kas atrodami šajā dokumentācijā un uz izstrādājuma.

5.1 Akumulatora uzlādēšana

1. Pirms uzlādes sākšanas izlasiet lādētāja lietošanas instrukciju.
2. Raugieties, lai akumulatora un lādētāja kontaktu virsmas ir tīras un sausas.
3. Veiciet akumulatora uzlādi atbilstīgā lādētājā.

5.2 Akumulatora ievietošana

IEVĒROT PIESARDZĪBU!

Traumu risks īssavienojuma vai akumulatora nokrišanas gadījumā!

- ▶ Pirms akumulatora ievietošanas pārliecinieties, ka uz akumulatora un izstrādājuma kontaktiem neatrodas nekādi svešķermeņi.
 - ▶ Pārbaudiet, vai akumulators ir droši nofiksēts.
1. Pirms pirmās lietošanas pilnībā uzlādējiet akumulatoru.
 2. Ievietojiet akumulatoru iekārtas stiprinājumā, līdz tas dzirdami nofiksējas.
 3. Pārbaudiet, vai akumulators ir droši nofiksēts.

5.3 Akumulatora izņemšana

1. Nospiediet akumulatora atbloķēšanas taustiņus.
2. Izvelciet akumulatoru no iekārtas.

5.4 Jostas āķa montāža (opcija)

BRĪDINĀJUMS!

Traumu risks! Iekārtas nokrišanas radīts apdraudējums.

- ▶ Iekārtas nokrišana var apdraudēt tās lietotāju un apkārtējos. Pirms darba uzsākšanas pārbaudiet, vai jostas āķis ir kārtīgi nofiksēts.



Ar jostas āķa palīdzību jūs varat nostiprināt iekārtu pie jostas tā, lai tā piekļautos ķermenim. Jostas āķi iespējams piemontēt nēsāšanai labajā un kreisajā pusē.

1. Izņemiet akumulatoru. → Lappuse 125
2. Iespraudiet jostas āķi tam paredzētajā stiprinājuma atverē pie skrūvēšanas iekārtas pamatnes.
3. Nostipriniet jostas āķi ar 2 skrūvēm.



5.5 Maināmā instrumenta montāža

SID 14-A
SID 22-A

1. Pārbaudiet, vai maināmā instrumenta nofiksējama gals ir tīrs.
 - ▶ Ja nepieciešams, notīriet nofiksējamo galu.
2. Pārslēdziet labā / kreisā rotācijas virziena pārslēdzēju vidējā pozīcijā vai atvienojiet no iekārtas akumulatoru.
3. Līdz galam ievietojiet maināmo instrumentu patronā un ļaujiet tam nofiksēties.
4. Pirms iekārtas lietošanas pārbaudiet, vai darba instruments ir nofiksēts kārtīgi un novietots pareizi.

5.6 Maināmā instrumenta montāža

SIW 14-A
SIW 22-A

1. Pārbaudiet, vai maināmā instrumenta nofiksējama gals ir tīrs.
 - ▶ Ja nepieciešams, notīriet nofiksējamo galu.
2. Pārslēdziet labā / kreisā rotācijas virziena pārslēdzēju vidējā pozīcijā vai atvienojiet no iekārtas akumulatoru.
3. Pagrieziet maināmā instrumenta sānos esošo atveri tā, lai tā sakristu ar instrumenta patronas puslodi.
4. Uzspiediet maināmo instrumentu uz instrumenta patronas, līdz tas nofiksējas.
5. Pirms iekārtas lietošanas pārbaudiet, vai darba instruments ir nofiksēts kārtīgi un novietots pareizi.

5.7 Maināmā instrumenta montāža

SIW 22-A

IEVĒROT PIESARDZĪBU!

Traumu risks! Neatbilstīgi instrumenti var izraisīt traumas!

- ▶ Lietojiet tikai instrumentus, ko ir iespējams nofiksēt.
 - ▶ Nelietojiet nodilušus vai bojātus instrumentus.
-
1. Pārvietojiet labā / kreisā rotācijas virziena pārslēdzēju vidējā pozīcijā vai atvienojiet no iekārtas akumulatoru.
 2. Izņemiet apaļā šķērsgriezuma gredzenu no ietveres rievās.
 3. Izvelciet fiksācijas tapu.
 4. Uzlieciet ietveri uz iekārtas piedziņas četrstūra.



Raugieties, lai ārējā četrstūra drošības gredzena stiprinājuma atveres un ietveres atveres sakristu.

5. Ievietojiet drošības gredzenu ietverē.
6. Piemontējiet apaļā šķērsgriezuma gredzenu pie ietveres.
7. Pirms iekārtas lietošanas pārbaudiet, vai darba instruments ir nofiksēts kārtīgi un novietots pareizi.

6 Lietošana

Ievērojiet drošības norādījumus un brīdinājumus, kas atrodami šajā dokumentācijā un uz izstrādājuma.



6.1 Griezes momenta iestatīšana

- ▶ Spiediet griezes momenta izvēles slēdzi tikmēr, līdz kreisajā pusē blakus griezes momenta izvēles slēdzim ir redzama nepieciešamā griezes momenta pakāpe.

SID 14-A
SID 22-A

Modelis SID ... → Lappuse 124

SIW 14-A
SIW 22-A

Modelis SIW ... → Lappuse 124

6.2 Labā / kreisā rotācijas virziena pārslēgšana

- Iekšējās aizsardzības mehānisms izslēdz iespēju pārslēgt rotācijas virzienu motora darbības laikā. Vidējā pozīcijā ir bloķēts vadības slēdzis (ieslēgšanas bloķēšana).

- ▶ Iestatiet labā / kreisā rotācijas virziena pārslēdzēju atbilstīgi nepieciešamajam rotācijas virzienam.

6.3 Ieslēgšana

- ▶ Nospiediet vadības slēdzi.
 - ▶ Iespēšanas dziļums regulē apgriezību skaitu.

6.4 Skrūves

IEVĒROT PIESARDZĪBU!

Traumu risks, ko izraisa bojāts apstrādājama materiāls! Pārāk liels griezes moments var izraisīt skrūvju vai apstrādājamā materiāla bojājumus. Tas var kļūt par cēloni traumām.

- ▶ Pārliecinieties, vai skrūves un apstrādājamā detaļa ir piemērotas iekārtas radītajam griezes momentam.

1. Pārslēdziet labā / kreisā rotācijas virziena pārslēdzēju vidējā pozīcijā vai atvienojiet no iekārtas akumulatoru.
2. Ar griezes momenta izvēles slēdzi iestatiet nepieciešamo griezes momentu. → Lappuse 127

6.5 Izslēgšana

- ▶ Atlaidiet vadības slēdzi.

6.6 Maināmā instrumenta demontāža

SID 14-A
SID 22-A

IEVĒROT PIESARDZĪBU!

Traumu risks, ko rada darba instruments! Maināmais instruments var būt karsts vai ar asām malām.

- ▶ Iekārtas lietošanas un instrumenta nomaiņas laikā valkājiet aizsargcimdus.

1. Pārslēdziet labā / kreisā rotācijas virziena pārslēdzēju vidējā pozīcijā vai atvienojiet no iekārtas akumulatoru.
2. Pavelciet instrumenta patronas gredzenu uz priekšu un pieturiet to.
3. Izvelciet maināmo instrumentu no patronas.
4. Atlaidiet instrumenta patronas gredzenu.



6.7 Maināmā instrumenta demontāža

SIW 14-A
SIW 22-A

IEVĒROT PIESARDZĪBU!

Traumu risks, ko rada darba instruments! Maināmais instruments var būt karsts vai ar asām malām.

► Iekārtas lietošanas un instrumenta nomaiņas laikā valkājiet aizsargcimdus.

1. Pārslēdziet labā / kreisā rotācijas virziena pārslēdzēju vidējā pozīcijā vai atvienojiet no iekārtas akumulatoru.
2. Novelciet maināmo instrumentu no patronas.

6.8 Maināmā instrumenta demontāža

SIW 22-A

1. Pārvietojiet labā / kreisā rotācijas virziena pārslēdzēju vidējā pozīcijā vai atvienojiet no iekārtas akumulatoru.
2. Izņemiet apaļā šķērs griezuma gredzenu no ietveres rievās.
3. Izvelciet fiksācijas tapu.
4. Noņemiet ietveri no iekārtas piedziņas četrstūra.
5. Piemontējiet fiksācijas tapu.
6. Piemontējiet pie ietveres apaļā šķērs griezuma drošības gredzenu.

7 Apkope un uzturēšana

BRĪDINĀJUMS!

Traumu risks ievietota akumulatora gadījumā !

► Pirms jebkādiem apkopes un tehniskā stāvokļa uzturēšanas darbiem vienmēr izņemiet akumulatoru!

Iekārtas apkope

- Uzmanīgi notīriet pielīpušos netīrumus.
- Uzmanīgi iztīriet ventilācijas atveres ar sausu birstīti.
- Korpusa tīrīšanai jālieto tikai nedaudz samitrināta drāniņa. Nedrīkst lietot silikonu saturošus kopšanas līdzekļus, kas var sabojāt plastmasas daļas.

Litija jonu akumulatoru apkope

- Raugieties, lai akumulators ir tīrs un nebūtu savārtīts ar eļļu un smērvielām.
- Korpusa tīrīšanai jālieto tikai nedaudz samitrināta drāniņa. Nedrīkst lietot silikonu saturošus kopšanas līdzekļus, kas var sabojāt plastmasas daļas.
- Nepieļaujiet mitruma iekļūšanu.

Uzturēšana

- Regulāri pārbaudiet visas redzamās daļas, lai pārliecinātos, ka tās nav bojātas un funkcionē nevainojami.
- Bojājumu un/vai funkciju traucējumu gadījumā izstrādājumu nedrīkst lietot. Tas nekavējoties jānodod **Hilti**, lai veiktu remontu.
- Pēc apkopes un remonta darbiem visas aizsargierīces jāpiemontē vietā un jāpārbauda, vai tās darbojas.



Lai iekārtas lietošana būtu droša, izmantojiet tikai oriģinālās rezerves daļas un patēriņa materiālus. Rezerves daļas un patēriņa materiālus, kuru lietošanu kopā ar šo iekārtu mēs akceptējam, var atrast **Hilti Store** vai tīmekļvietnē. www.hilti.group.

8 Ar akumulatoru darbināmo iekārtu transportēšana un uzglabāšana

Transportēšana

IEVĒROT PIESARDZĪBU!

Nekontrolēta iedarbošanās transportēšanas laikā !

► Pirms iekārtu transportēšanas vienmēr izņemiet no tām akumulatorus!



- ▶ Izņemiet akumulatorus.
- ▶ akumulatorus nekādā gadījumā nedrīkst transportēt nenostiprinātā veidā, sabērtus kaudzēs.
- ▶ Pirms atsākt iekārtas un akumulatoru lietošanu pēc ilgākas transportēšanas, pārbaudiet, vai tie nav bojāti.

Uzglabāšana

IEVĒROT PIESARDZĪBU!

Neparedzami bojājumi bojātu vai izplūdušu akumulatoru dēļ!

- ▶ Pirms iekārtu novietošanas glabāšanā vienmēr izņemiet no tām akumulatorus!
- ▶ Iekārta un akumulatori jāglabā pēc iespējas vēsā un sausā vietā.
- ▶ Nekādā gadījumā neglabājiet akumulatorus augstā temperatūrā, tiešos saules staros vai aiz stikla.
- ▶ Glabājiet iekārtu un akumulatorus vietā, kas nav pieejama bērniem un nepiederošām personām.
- ▶ Pirms atsākt iekārtas un akumulatoru lietošanu pēc ilgas uzglabāšanas, pārbaudiet, vai tie nav bojāti.

9 Traucējumu novēršana

Ja iekārtas darbībā ir radušies traucējumi, kas nav uzskaitīti šajā tabulā vai ko jums neizdodas novērst saviem spēkiem, lūdzu, meklējiet palīdzību mūsu **Hilti** servisā.

9.1 Traucējumu novēršana

Traucējums	Iespējamais iemesls	Risinājums
Iekārta nedarbojas.	Akumulators nav kārtīgi ievietots.	▶ Ievietojiet akumulatoru. → Lappuse 125
	Akumulators ir izlādējies.	▶ Uzlādējiet akumulatoru. → Lappuse 125
Vadības slēdzi nav iespējams nospiegt, respektīvi, tas ir nobloķēts.	Labā / kreisā rotācijas virziena slēdzis atrodas vidējā pozīcijā.	▶ Iestatiet labā / kreisā rotācijas virziena pārslēdzēju. → Lappuse 127
Pēkšņi ievērojami samazinās rotācijas ātrums.	Akumulators ir izlādējies.	▶ Uzlādējiet akumulatoru. → Lappuse 125
Akumulators izlādējas ātrāk nekā parasti.	Ļoti zema apkārtējā temperatūra.	▶ Ļaujiet akumulatoram pamazām sasilt līdz istabas temperatūrai.
Akumulators nenofiksējas ar sadzirdamu, divkāršu klikšķi.	Netīri akumulatora fiksācijas izciļņi.	▶ Notīriet fiksācijas mēlītes un nofiksējiet akumulatoru. Ja problēma saglabājas, vērsieties Hilti servisā.
Iekārta vai akumulators spēcīgi sakarst.	Elektriskas problēmas.	▶ Nekavējoties izslēdziet iekārtu, izņemiet akumulatoru no iekārtas, vērojiet to, ļaujiet tam atdzist un vērsieties Hilti servisā.
	Iekārtas pārslodze (pārsniegtas ekspluatācijas robežas).	▶ Izvēlieties iekārtu, kas ir piemērota veicamajam darbam.

10 Nokalpojušo iekārtu utilizācija

Hilti iekārtu izgatavošanā tiek izmantoti galvenokārt otrreiz pārstrādājami materiāli. Priekšnosacījums otrreizējai pārstrādei ir atbilstoša materiālu šķirošana. Daudzās valstīs **Hilti** pieņem nolietotās iekārtas otrreizējai pārstrādei. Lai saņemtu vairāk informācijas, vērsieties **Hilti** servisā vai pie sava pārdošanas konsultanta.

Akumulatoru utilizācija

Ja akumulatoru utilizācija netiek veikta pareizā veidā, var izplūst kaitīgas gāzes un šķidrums, kas apdraud veselību.

- ▶ Bojātus akumulatorus nav atļauts nosūtīt!
- ▶ Lai nepieļautu īssavienojumus, nosedziet pieslēguma kontaktus ar materiālu, kam nepiemīt elektriskā vadītspēja.
- ▶ Utilizējiet akumulatorus tā, lai tiem nevarētu piekļūt bērni.



- ▶ Nododiet akumulatoru utilizācijai jūs apkalpojošajā **Hilti Store** vai vērsieties pie kompetentā atkritumu apsaimniekošanas uzņēmuma.



- ▶ Neizmetiet elektroiekārtas, elektroniskas ierīces un akumulatorus sadzīves atkritumos!

11 RoHS (direktīva par bīstamo vielu izmantošanas ierobežošanu)

Lai apskatītu bīstamo vielu tabulu, izmantojiet šādas saites: qr.hilti.com/r4923, qr.hilti.com/r4922, qr.hilti.com/r4927 un qr.hilti.com/r4926.

Saiti uz RoHS tabulu jūs QR koda veidā atradīsiet šīs dokumentācijas beigās.

12 Ražotāja garantija

- ▶ Ar jautājumiem par garantijas nosacījumiem, lūdzu, vērsieties pie vietējā **Hilti** partnera.

Originali naudojimo instrukcija

1 Dokumentų duomenys

1.1 Apie šią instrukciją

- Prieš pradėdami eksploatuoti, perskaitykite šią instrukciją. Tai yra saugaus darbo ir patikimo naudojimo sąlyga.
- Laikykitės šioje instrukcijoje ir ant prietaiso pateiktų saugos nurodymų ir įspėjimų.
- Šią naudojimo instrukciją visada laikykite kartu su prietaisu, prietaisą kitiems asmenims perduokite tik kartu su šia instrukcija.

1.2 Ženklų paaiškinimas

1.2.1 Įspėjantieji nurodymai

Įspėjantieji nurodymai įspėja apie pavojus, gresiančius eksploatuojant prietaisą. Naudojami tokie signaliniai žodžiai:



PAVOJUS

PAVOJUS !

- ▶ Šis žodis vartojamas norint įspėti apie tiesiogiai gresiantį pavojų, kurio pasekmės yra sunkūs kūno sužalojimai arba žūtis.



ĮSPĖJIMAS

ĮSPĖJIMAS !

- ▶ Šis žodis vartojamas norint įspėti apie galimai gresiantį pavojų, kurio pasekmės gali būti sunkūs kūno sužalojimai arba žūtis.



ATSARGIAI

ATSARGIAI !

- ▶ Šis žodis vartojamas potencialiai pavojingai situacijai žymėti, kai yra lengvo kūno sužalojimo arba materialinių nuostolių grėsmė.

1.2.2 Instrukcijoje naudojami simboliai

Šioje instrukcijoje naudojami tokie simboliai:



Prieš naudojant, perskaityti instrukciją



Naudojimo nurodymai ir kita naudinga informacija



	Rodo, kad juo paženklintą medžiagą galima perdirbti
	Elektrinių prietaisų ir akumuliatorių nemesti į buitinius šiukšlynus

1.2.3 Iliustracijose naudojami simboliai

Iliustracijose naudojami šie simboliai:

	Šie skaitmenys nurodo atitinkamą iliustraciją šios instrukcijos pradžioje
3	Numeravimas nurodo darbinių veiksmų eiliškumą paveikslėlyje ir gali skirtis nuo tekste pateikto darbinių veiksmų numeravimo
	Pozicijų numeriai naudojami paveikslėlyje Apžvalga – jie nurodo skyrelyje Prietaiso vaizdas esančių paaiškinimų numerius
	Šiuo ženklu siekiama atkreipti ypatingą dėmesį į naudojamą šiuo prietaisu.

1.3 Specifiniai prietaiso simboliai

1.3.1 Simboliai ant prietaiso

Ant prietaiso gali būti naudojami šie simboliai:

	Grėžimas be smūgiavimo
	Smūginis grėžimas
/min	Apsisukimai per minutę
n_0	Nominalus tuščiosios eigos sukimosi greitis
	Nuolatinė srovė
Li-Ion	Ličio jonų akumulatorius
	Naudotas HilTI serijos ličio jonų akumulatorius. Atkreipkite dėmesį į duomenis skyriuje Naudojimas pagal paskirtį .
	Prietaisas palaiko NFC technologiją, suderinamą su „iOS“ ir „Android“ platformomis.
	Niekada nenaudokite akumulatoriaus kaip smūginio įrankio.
	Saugokite, kad akumulatorius nenukristų. Nenaudokite akumulatoriaus, kuris buvo sutrenktas arba kaip nors kitaip pažeistas.

1.4 Informacija apie prietaisą

HILTI gaminiai yra skirti profesionalams, todėl juos naudoti, techniškai prižiūrėti ir remontuoti leidžiama tik įgaliotam instruktui personalui. Šis personalas turi būti supažindintas su visais galimais pavojais. Neapmokyto personalo, netinkamai arba ne pagal paskirtį naudojamas prietaisas ir jo reikmenys gali kelti pavojų.

Tipas ir serijos numeris yra nurodyti firminėje duomenų lentelėje.

- Serijos numerį perkeltkite į toliau nurodytą lentelę. Kreipdamiesi su prietaisu susijusiais klausimais ir mūsų atstovybę ar techninės priežiūros centrą, visada nurodykite šiuos prietaiso duomenis.

Prietaiso duomenys

Akumulatorinis suktuvas	SID 14-A, SID 22-A
Akumulatorinis smūginis suktuvas	SIW 14-A, SIW 22-A
Karta:	01
Serijos Nr.:	



1.5 Atitikties deklaracija

Prisiimdami visą atsakomybę pareiškiame, kad čia yra aprašytas gaminytis atitinka galiojančias direktyvas ir normas. Atitikties deklaracijos kopiją rasite šios instrukcijos gale.

Techninė dokumentacija saugoma čia:

Hilti Entwicklungsgesellschaft mbH | Zulassung Geräte | Hiltistraße 6 | 86916 Kaufering, DE

2 Sauga

2.1 Bendrieji saugos nurodymai dirbantiems su elektriniais įrankiais

⚠️ ISPĖJIMAS Perskaitykite visus ant šio elektrinio įrankio esančius saugos nurodymus, instrukcijas, paveikslėlius ir techninius duomenis. Šių nurodymų nesilaikymas gali tapti elektros smūgio, gaisro ir / arba sunkių sužalojimų priežastimi.

Išsaugokite visus saugos nurodymus ir instrukcijas, kad galėtumėte į juos pažvelgti ateityje.

Saugos nurodymuose vartojama sąvoka „elektrinis įrankis“ apibrėžiami iš elektros tinklo maitinami elektriniai įrankiai (turintys maitinimo kabelį) ir iš akumulatoriaus maitinami elektriniai įrankiai (be maitinimo kabelio).

Sauga darbo vietoje

- ▶ **Pasirūpinkite, kad darbo vieta visada būtų švari ir gerai apšviesta.** Netvarkinga ar blogai apšviesta darbo vieta gali tapti nelaimingų atsitikimų priežastimi.
- ▶ **Nenaudokite elektrinio įrankio sprogoje aplinkoje, kurioje yra degių skysčių, dujų arba dulkių.** Veikiantys elektriniai įrankiai kibirkščiuoja, ir kibirkštys gali uždegti dulkes arba susikaupusius garus.
- ▶ **Dirbdami su elektriniu įrankiu, neleiskite darbo zonoje būti vaikams ir pašaliniam asmeniui.** Atitrauk dėmesį nuo darbo, galite nebesuvaldyti prietaiso.

Apsauga nuo elektros

- ▶ **Prietaiso maitinimo kabelio kištukas turi atitikti elektros lizdo tipą.** Kištuko jokių būdų negalima keisti. **Nenaudokite tarpinių kištukų kartu su elektriniais įrankiais, turinčiais apsauginį įžeminimą.** Nepakeisti kištukai ir tinkami elektros lizdai mažina elektros smūgio riziką.
- ▶ **Venkite kūno kontakto su įžemintais paviršiais, pvz., vamzdžiais, šildytuvais, viryklėmis ir šaldytuvais.** Kai žmogaus kūnas yra įžemintas, padidėja elektros smūgio tikimybė.
- ▶ **Elektrinius įrankius saugokite nuo lietaus ir drėgmės.** Į elektrinį įrankį patekus vandens, padidėja elektros smūgio rizika.
- ▶ **Nenaudokite elektros maitinimo kabelio ne pagal paskirtį, t. y. neneškite elektrinio įrankio paėmę už kabelio, nekabinkite jo ant kabelio, netraukite už kabelio, norėdami ištraukti kištuką iš elektros lizdo.** Elektros maitinimo kabelį saugokite nuo karščio, alyvos, aštrių briaunų ar judančių dalių. Pažeisti arba susipynę elektros maitinimo kabeliai didina elektros smūgio riziką.
- ▶ **Jei su elektriniu įrankiu dirbate lauke, naudokite tik tokius ilginimo kabelius, kurie tinka ir lauko darbams.** Naudojant lauko darbams tinkančius ilginimo kabelius, mažėja elektros smūgio rizika.
- ▶ **Jeigu elektrinio įrankio naudojimo drėgnoje aplinkoje negalima išvengti, į elektros tinklą jįjunkite per apsauginę nuotėkio relę.** Apsauginė nuotėkio relė mažina elektros smūgio riziką.

Žmonių sauga

- ▶ **Dirbdami su elektriniu įrankiu, būkite atidūs, sutelkite dėmesį į darbą ir vadovaukitės sveika nuovoka.** Elektrinio įrankio nenaudokite, jeigu esate pavargę arba apsvaigę nuo narkotinių medžiagų, alkoholio ar vaistų. Neatidumo akimirka dirbant su elektriniu įrankiu gali tapti rimtų sužalojimų priežastimi.
- ▶ **Naudokite asmenines apsaugos priemones ir visuomet užsidėkite apsauginius akinius.** Naudojant asmenines apsaugos priemones, pvz., respiratorių, neslystančius apsauginius batus, apsauginį šalną, ausines ir kt., priklausomai nuo elektrinio įrankio tipo ir naudojimo, mažėja rizika susižaloti.
- ▶ **Saugokitės, kad neįjungtumėte prietaiso atsitiktinai.** Prieš prijungdami prie elektros maitinimo tinklo, įdėdami akumuliatorių, imdami į rankas ar nešdami, įsitikinkite, kad elektrinis įrankis yra išjungtas. Jeigu nešdami elektrinį įrankį pirštą laikysite ant jungiklio arba įrankį įjungsitė į elektros tinklą tuomet, kai jungiklis nėra išjungtas, gali įvykti nelaimingas atsitikimas.
- ▶ **Prieš įjungdami elektrinį įrankį, pašalinkite iš jo reguliavimo įrankius ar veržlinius raktus.** Besisukančioje prietaiso dalyje esantis įrankis ar paliktas raktas gali tapti sužalojimų priežastimi.
- ▶ **Venkite nepatogių kūno padėčių.** Dirbdami stovėkite tvirtai ir visada išlaikykite kūno pusiausvyrą. Taip galėsite geriau kontroliuoti elektrinį įrankį netikėtose situacijose.
- ▶ **Vilkėkite tinkamą aprangą. Nevilkėkite plačių drabužių, nesidėkite papuošalų.** Saugokite plaukus, drabužius ir pirštines nuo besisukančių prietaiso dalių. Laisvus drabužius, papuošalus ir ilgus plaukus gali įtraukti besisukančios prietaiso dalys.



- ▶ Jei yra numatyta galimybė prijungti dulkių nusiurbimo ar surinkimo įrenginius, visada išitikinkite, kad jie yra prijungti ir tinkamai naudojami. Naudojant dulkių nusiurbimo įrenginį, gali sumažėti dulkių keliama grėsmė.
- ▶ Neturėkite iliuzijų, kad visada esate saugūs, ir, skaitydami naudojimo instrukcijas, nepraleiskite skyrelių apie saugų darbą su elektriniais įrankiais, net jeigu per ilgus naudojimo metus esate su savo elektriniu įrankiu susipažinę. Neatsargus veiksmas per sekundės dalį gali tapti sunkių sužalojimų priežastimi.

Elektrinio įrankio naudojimas ir elgesys su juo

- ▶ **Prietaiso neperkraukite.** Naudokite Jūsų darbui tinkamą elektrinį įrankį. Su tinkamu elektriniu įrankiu dirbsite geriau ir saugiau, jei neviršysite nurodytos galios.
- ▶ **Nenaudokite elektrinio įrankio su sugedusiu jungikliu.** Elektrinis įrankis, kurio nebegalima įjungti ar išjungti, yra pavojingas ir jį reikia remontuoti.
- ▶ **Prieš prietaisą nustatydami, keisdami reikmenis ar tiesiog padėdami į šalį, visuomet ištraukite maitinimo kabelio kištuką iš elektros lizdo ir / arba iš prietaiso išimkite akumuliatorių.** Ši atsargumo priemonė leis išvengti netikėto elektrinio įrankio įsijungimo.
- ▶ **Nenaudojamus elektrinius įrankius saugokite vaikams nepasiekiamoje vietoje. Neleiskite prietaisu naudotis asmenims, kurie nėra su juo susipažinę arba nėra perskaitę šios instrukcijos.** Elektriniai įrankiai yra pavojingi, kai juos naudoja patirties neturintys asmenys.
- ▶ **Elektrinius įrankius ir reikmenis rūpestingai prižiūrėkite.** Tikrinkite, ar judančios elektrinio įrankio dalys tinkamai funkcionuoja ir niekur neklūva, ar nėra sulūžusių ir pažeistų dalių, kurios blogintų įrankio veikimą. Prieš naudojimą pažeistos prietaiso dalys turi būti suremontuotos. Blogai prižiūrimi elektriniai įrankiai yra daugelio nelaimingų atsitikimų priežastis.
- ▶ **Pjovimo įrankiai visuomet turi būti aštrūs ir švarūs.** Rūpestingai prižiūrėti pjovimo įrankiai su aštriomis pjovimo briaunomis mažiau stringa ir yra lengviau valdomi.
- ▶ **Elektrinį įrankį, reikmenis, keičiamuosius įrankius ir t. t. naudokite pagal šias instrukcijas. Taip pat atsižvelkite į darbo sąlygas ir atliekamo darbo pobūdį.** Elektrinius įrankius naudojant ne pagal paskirtį, gali kilti pavojingos situacijos.
- ▶ **Prižiūrėkite rankenas, kad jos ir jų laikymo paviršiai visada būtų sausi, švarūs ir neriebaluoti.** Slidžios rankenos ir jų laikymo paviršiai negali užtikrinti elektrinio įrankio saugaus naudojimo ir valdymo kontrolės nenumatytose situacijose.

Akumulatorinio įrankio naudojimas ir elgesys su juo

- ▶ **Akumulatoriams įkrauti naudokite tik tuos kroviklius, kuriuos rekomenduoja gamintojas.** Kroviklį, tinkantį tik nurodytiems akumuliatorių tipams, naudojant kitiems akumulatoriams įkrauti, kyla gaisro pavojus.
- ▶ **Elektriniuose įrankiuose naudokite tik konkrečiai jiems skirtus akumuliatorius.** Naudojant kitokius akumuliatorius, kyla pavojus susižaloti ir sukelti gaisrą.
- ▶ **Nenaudojamo akumulatoriaus nelaikykite šalia sąvaržėlių, monetų, raktų, vinių, varžtų ar kitokių smulkių metalinių daiktų, kurie galėtų trumpai sujungti akumulatoriaus kontaktus.** Trumpai sujungus akumulatoriaus kontaktus, yra pavojus nusidiegti ar sukelti gaisrą.
- ▶ **Netinkamai naudojant akumuliatorių, iš jo gali ištekėti skystis. Venkite kontakto su šiuo skysčiu. Jei skysčio atsitiktinai pateko ant odos, nuplaukite ją vandeniu, jei pateko į akis - gerai praplaukite jas vandeniu ir nedelsdami kreipkitės į gydytoją.** Akumulatoriaus skystis gali sudirginti arba chemiškai nudeginti odą.
- ▶ **Nenaudokite pažeisto arba perdirbto akumulatoriaus.** Pažeisti arba perdirbti akumulatoriai gali funkcionuoti nenumatytai, todėl gali kelti gaisro, sprogo ar sužalojimų pavojų.
- ▶ **Akumuliatorių saugokite nuo ugnies ir per aukštos temperatūros.** Ugnies arba didesnės kaip 130 °C (265 °F) temperatūros veikiamas akumuliatorius gali sprogti.
- ▶ **Laikykites visų įkrovimo instrukcijų ir akumuliatorių arba akumulatorinį įrankį visada įkraukite tik eksploataavimo instrukcijoje nurodytame temperatūrų diapazone.** Netinkamas įkrovimas arba įkrovimas už leistino temperatūrų diapazono ribų gali sugadinti akumuliatorių ir padidinti gaisro pavojų.

Techninė priežiūra

- ▶ **Savo elektrinį įrankį patikėkite remontuoti tik kvalifikuotam specialistui, tam jis turi naudoti tik originalias atsargines dalis.** Taip galima užtikrinti, kad bus išlaikytas prietaiso naudojimo saugumas.
- ▶ **Niekada nevykdykite pažeistų akumuliatorių techninės priežiūros.** Bet kokią akumuliatorių techninę priežiūrą leidžiama vykdyti tik gamintojui arba įgaliotoms klientų aptarnavimo įmonėms.

2.2 Saugos nurodymai dirbantiems su suktuvu ir smūginiu suktuvu

- ▶ **Jeigu vykdant darbus sukamas varžtas / sraigtas gali paliesti paslėptus elektros laidus, elektrinį įrankį laikykite tik paėmę už izoliuotų laikymo paviršių.** Dėl varžto / sraigto kontakto su laidais, kuriais



teka elektros srovė, metalinėse prietaiso dalyse taip pat gali atsirasti įtampa, todėl kyla elektros smūgio pavojus.

2.3 Papildomi saugos nurodymai dirbantiems su suktuvu

Žmonių sauga

- ▶ Prietaisą naudokite tik tada, kai jis yra techniškai tvarkingas.
- ▶ Prietaisą draudžiama keisti ar kitaip juo manipuliuoti.
- ▶ Naudokite prietaiso komplekte esančias papildomas rankenas. Prietaisui tapus nebevaldomam, galite susižaloti.
- ▶ Prietaisą visada laikykite tvirtai, abiem rankomis paėmę už rankenų. Rankenos visada turi būti sausas ir švarios.
- ▶ Venkite liesti besisukančias prietaiso dalis – susižalojimo pavojus!
- ▶ Dirbdami su prietaisu, užsidėkite tinkamus apsauginius akinius, apsauginį šalmą, ausines, lengvą respiratorių ir mūvėkite apsaugines pirštines.
- ▶ Apsaugines pirštines mūvėkite ir keisdami įrankį. Liesdami keičiamajį įrankį, galite susipjaustyti ir nusideginti rankas.
- ▶ Dirbdami užsidėkite akių apsaugos priemonę. Medžiagų skeveldros gali sužaloti odą ir akis.
- ▶ Prieš pradėdami dirbti, nustatykite darbo metu kilsiančių dulkių kenksmingumo klasę. Naudokite licencijuotą statybinį dulkių siurbli, atitinkantį apsaugos klasę pagal vietoje galiojančias apsaugos nuo dulkių normas. Tam tikrų medžiagų, pvz., dažų, kuriuose yra švino junginių, kai kurių medienos rūšių, betono / mūro / akmens, kuriuose yra kvarco ir kitų mineralų, taip pat metalo dulkės gali būti sveikatai kenksmingos.
- ▶ Pasirūpinkite, kad darbo vieta būtų gerai vėdinama, ir, jeigu reikia, užsidėkite atitinkamoms dulksmoms skirtą kvėpavimo takus saugančią kaukę. Liečiamos ar įkvėptos tokios dulkės darbuotojui ar arti jo esantiems asmenims gali sukelti alergines reakcijas ir / arba kvėpavimo takų susirgimus. Ažuolo arba buko medienos dulkės gali sukelti vėžinius susirgimus, ypač tada, kai buvo naudojami priedai medienai apdoroti (chromatai, medienos konservantai). Medžiagas, kuriose yra asbesto, leidžiama apdoroti tik specialistams.
- ▶ Dirbdami darykite pertraukas ir atpalaidavimo pratimus pirštams, kad pagerėtų kraujotaka. Dirbant ilgesnį laiką, vibracijos gali sukelti pirštų, plaštakos ar riešo sąnario kraujagyslių ar nervų sistemos pažeidimus.

Apsauga nuo elektros

- ▶ Prieš pradėdami dirbti, patikrinkite, ar darbo zonoje nėra paslėptų elektros laidų, dujų ar vandentiekio vamzdžių. Netyčia pažeidus elektros kabelį, išorinėse metalinėse prietaiso dalyse gali atsirasti įtampa, kelianti elektros smūgio pavojų.

Atsargus elektrinių įrankių naudojimas ir elgesys su jais

- ▶ Įrankiui užsiblokavus, elektrinį įrankį nedelsdami išjunkite. Prietaisas gali pakrypti į šoną.
- ▶ Prieš elektrinį įrankį padėdami, palaukite, kol jis visiškai sustos.

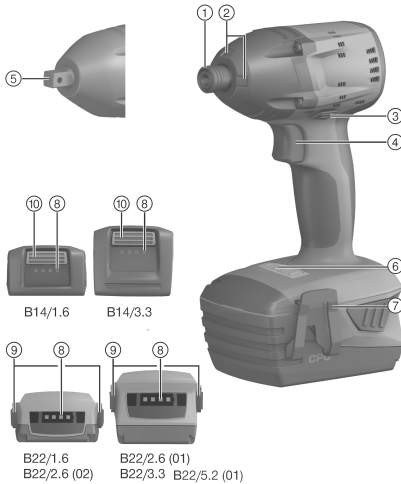
2.4 Su akumuliatoriais elgtis atsargiai

- ▶ Laikykitės Li-Ion akumuliatorių specialiųjų transportavimo, sandėliavimo ir naudojimo direktyvų.
- ▶ Akumuliatorius saugokite nuo aukštos temperatūros, tiesioginių saulės spindulių ir ugnies.
- ▶ Akumuliatorius draudžiama ardyti, spausti, kaitinti iki aukštesnės kaip 80 °C temperatūros arba deginti.
- ▶ Nenaudokite ir neįkraukite akumuliatorių, kurie buvo patyrę smūgi, kritę iš didesnio kaip vieno metro aukščio ar yra kitokiu būdu pažeisti. Tokiu atveju visada kreipkitės į savo **Hilti techninės priežiūros centrą**.
- ▶ Jeigu į rankas paimtas akumuliatorius atrodo karštas, jis gali būti sugedęs. Prietaisą padėkite nedegioje vietoje toliau nuo degių medžiagų ir, nuolat stebėdami, leiskite atvėsti. Tokiu atveju visada kreipkitės į savo **Hilti techninės priežiūros centrą**.



3 Aprašymas

3.1 Prietaiso vaizdas



- ① Šešiabriaunė skylė velene (SID)
- ② Apšvietimas
- ③ Dešininės / kairinės eigos perjungiklis su įjungimo blokatoriumi
- ④ Valdymo jungiklis (su elektroniniu sukimosi greičio reguliavimu)
- ⑤ Keturbriaunis velenas (SIW)
- ⑥ Sukimo momento perjungiklis
- ⑦ Diržo kablys (papildomai užsakoma įranga)
- ⑧ Akumuliatoriaus įkrovos lygio indikatorius
- ⑨ Atfiksavimo mygtukas (akumuliatorius B22/...)
- ⑩ Atfiksavimo mygtukas (akumuliatorius B14/...)

3.2 Naudojimas pagal paskirtį

Aprašytasis prietaisas yra rankinis akumuliatorinis smūginis suktuvas. Jis yra skirtas varžtinams sujungimams priveržti ir atlaisvinti, veržlėms ir varžtams į medieną, metalą, mūrą ir betoną sukti ir atsukti. Smūginį suktuvą leidžiama naudoti tik tokiems darbams, kuriems nereikia tikslaus / nurodyto dydžio sukimo momento. Priešingu atveju yra pavojus, kad varžtas bus persuktas ir pažeistas, o ruošinys – sugadintas.

- ▶ Su šiuo prietaisu naudokite tik B14 (SID/SIW 14-A) arba atitinkamai B22 (SID/SIW 22-A) serijos **Hilti** ličio jonų akumuliatorius.
- ▶ Šiems akumuliatoriams įkrauti naudokite tik C4/36 serijos **Hilti** kroviklius.

3.3 Įkrovos lygio indikacija

Li-Ion akumuliatoriaus įkrovos lygis rodomas spustelėjus atblokavimo mygtuką (nestipriai, tik kol pajusite pasipriešinimą).

Būseną	Reikšmė
Šviečia 4 diodai.	Įkrovos lygis: nuo 75 iki 100 %
Šviečia 3 diodai.	Įkrovos lygis: nuo 50 iki 75 %
Šviečia 2 diodai.	Įkrovos lygis: nuo 25 iki 50 %
Šviečia 1 diodas.	Įkrovos lygis: nuo 10 iki 25 %
1 šviesos diodas mirksi.	Įkrovos lygis: < 10 %

Kai nuspaustas valdymo jungiklis ir maždaug 5 sekundes po jo paleidimo įkrovos lygio pasižiūrėti negalima.

3.4 Tiekiamas komplektas

Smūginis suktuvas, naudojimo instrukcija.

Mūsų apbruotais atsarginės dalis, eksploatacines medžiagas ir reikmenis savo prietaisui rasite vietinėje **Hilti Store** arba tinklalapyje www.hilti.group | JAV: www.hilti.com



4 Smūginis suktuvas

		SID 14-A	SIW 14-A
Nominalioji maitinimo įtampa		14,4 V	14,4 V
Svoris pagal „EPTA Procedure-01“		1,6 kg	1,6 kg
Nominalus tuščiosios eigos sukimosi greitis	Padėtis I	0 aps./min. ... 1 000 aps./min.	0 aps./min. ... 1 000 aps./min.
	Padėtis II	0 aps./min. ... 1 500 aps./min.	0 aps./min. ... 1 500 aps./min.
	Padėtis III	0 aps./min. ... 2 500 aps./min.	0 aps./min. ... 2 300 aps./min.
Smūgių skaičius		≤ 3 100/min	≤ 3 400/min
Sukimo momento nustatymas		3 padėtyys	3 padėtyys
Dideli standartiniai varžtai		M8–M16	M8–M16
Dideli labai tvirti varžtai		M6–M12	M6–M12
Įrankio griebtuvas		$\frac{1}{4}$ " šešiabriaunė skylė veleno su fiksavimo elementu	$\frac{1}{2}$ " keturbriaunis velenas su rutuliniu fiksatoriumi arba $\frac{3}{8}$ " keturbriaunis velenas su apsauginiu žiedu
Darbinė aplinkos temperatūra		-17 °C ... 60 °C	-17 °C ... 60 °C
Laikymo temperatūra		-20 °C ... 70 °C	-20 °C ... 70 °C

		SID 22-A	SIW 22-A
Nominalioji maitinimo įtampa		21,6 V	21,6 V
Svoris pagal „EPTA Procedure-01“		2,1 kg	2,1 kg
Nominalus tuščiosios eigos sukimosi greitis	Padėtis I	0 aps./min. ... 1 000 aps./min.	0 aps./min. ... 1 000 aps./min.
	Padėtis II	0 aps./min. ... 1 500 aps./min.	0 aps./min. ... 1 500 aps./min.
	Padėtis III	0 aps./min. ... 2 500 aps./min.	0 aps./min. ... 2 300 aps./min.
Smūgių skaičius		≤ 3 450/min	≤ 3 500/min
Sukimo momento nustatymas		3 padėtyys	3 padėtyys
Dideli standartiniai varžtai		M8–M16	M8–M16
Dideli labai tvirti varžtai		M6–M12	M6–M12
Įrankio griebtuvas		$\frac{1}{4}$ " šešiabriaunė skylė veleno su fiksavimo elementu	$\frac{1}{2}$ " keturbriaunis velenas su rutuliniu fiksatoriumi arba $\frac{3}{8}$ " keturbriaunis velenas su apsauginiu žiedu
Darbinė aplinkos temperatūra		-17 °C ... 60 °C	-17 °C ... 60 °C
Laikymo temperatūra		-20 °C ... 70 °C	-20 °C ... 70 °C

4.1 Informacija apie triukšmą ir vibracijos reikšmės pagal EN 62841

Šiuose nurodymuose pateiktos garso slėgio ir vibracijos reikšmės yra išmatuotos taikant standartizuotą matavimo metodą ir gali būti naudojamos elektriniams įrankiams palyginti tarpusavyje. Jos taip pat tinka šių veiksmų poveikiui iš anksto įvertinti.

Nurodytieji duomenys yra susieti su pagrindinėmis šio elektrinio įrankio naudojimo sritimis. Jeigu elektrinis įrankis bus naudojamas kitaip, su skirtingais keičiamaisiais įrankiais arba bus nepakankamai techniškai prižiūrimas, šie duomenys gali skirtis nuo nurodytųjų. Tai gali gerokai padidinti šių veiksmų poveikį per visą darbo laikotarpį.

Norint tiksliai įvertinti poveikį, reikėtų įvertinti ir laiką, kai prietaisas yra išjungtas, arba, nors ir įjungtas, juo faktiškai nedirbama. Toks įvertinimas gali smarkiai sumažinti poveikio per visą darbo laikotarpį reikšmę.

Imkitės papildomų saugos priemonių, kad darbuotojas būtų apsaugotas nuo triukšmo ir / arba vibracijos poveikio, pavyzdžiui, reikalaukite tinkamos elektrinio įrankio ir keičiamųjų įrankių techninės priežiūros, pasirūpinkite, kad darbuotojų rankos visada būtų šiltos, užtikrinkite tinkamą darbo organizavimą.



Informacija apie triukšmą

	SID 14-A	SIW 14-A	SID 22-A	SIW 22-A
Garso stiprumo lygis (L_{WA})	94 dB(A)	94 dB(A)	97 dB(A)	97 dB(A)
Garso stiprumo lygio paklaida (K_{WA})	3 dB(A)	3 dB(A)	3 dB(A)	3 dB(A)
Skleidžiamo garso slėgio lygis (L_{pA})	83 dB(A)	83 dB(A)	86 dB(A)	86 dB(A)
Garso slėgio lygio paklaida (K_{pA})	3 dB(A)	3 dB(A)	3 dB(A)	3 dB(A)

Suminės vibracijų reikšmės

	SID 14-A	SIW 14-A	SID 22-A	SIW 22-A
Vibracijų emisijos reikšmė, sukant maksimalaus leistino dydžio varžtus ir veržles (a_n)	7,5 m/s ²	7,5 m/s ²	11 m/s ²	11 m/s ²
Paklaida priveržiant maksimalaus leistino dydžio varžtus ir veržles	1,5 m/s ²	1,5 m/s ²	1,5 m/s ²	1,5 m/s ²

4.2 Sukimo momento nustatymas

Sukimo momentas pasirenkamas keičiant sukimo momento perjungiklio padėtį.

Modelis SID ...

SID 14-A
SID 22-A

		Modelis	
		SID 14-A	SID 22-A
Sukimo momentas	Padėtis I	50 Nm	60 Nm
	Padėtis II	100 Nm	110 Nm
	Padėtis III	150 Nm	165 Nm

Modelis SIW ...

SIW 14-A
SIW 22-A

		SIW 14-A	
		1/2" keturbriaunis velenas su rutuliniu fiksatoriumi	3/8" keturbriaunis velenas su apsauginiu žiedu
Sukimo momentas	Padėtis I	80 Nm	65 Nm
	Padėtis II	120 Nm	115 Nm
	Padėtis III	185 Nm	160 Nm

		SIW 22-A	
		1/2" keturbriaunis velenas su rutuliniu fiksatoriumi	3/8" keturbriaunis velenas su apsauginiu žiedu
Sukimo momentas	Padėtis I	90 Nm	75 Nm
	Padėtis II	135 Nm	120 Nm
	Padėtis III	200 Nm	175 Nm

4.3 Akumulatorius 14,4 V

Akumulatoriaus darbinė įtampa	14,4 V
Aplinkos temperatūra	-10 °C ... 60 °C
Laikymo temperatūra	-20 °C ... 40 °C



4.4 Akumulatorius 21,6 V

Akumulatoriaus darbinė įtampa	21,6 V
Aplinkos temperatūra	-17 °C ... 60 °C
Laikymo temperatūra	-20 °C ... 40 °C

5 Pasiruošimas darbui**⚠ ATSAUGIAI****Sužalojimo pavojus dėl atsitiktinio paleidimo!**

- ▶ Prieš įdėdami akumuliatorių, įsitikinkite, kad atitinkamas prietaisas yra išjungtas.
- ▶ Prieš nustatydami prietaisą ar keisdami reikmenis, išimkite akumuliatorių.

Laikykitės šioje instrukcijoje ir ant prietaiso pateiktų saugos nurodymų ir įspėjimų.

5.1 Akumulatoriaus įkrovimas

1. Prieš pradėdami krauti, perskaitykite kroviklio naudojimo instrukciją.
2. Atkreipkite dėmesį, kad akumulatoriaus ir kroviklio kontaktai turi būti švarūs ir sausi.
3. Akumuliatorių įkraukite leistinu krovikliu.

5.2 Akumulatoriaus įdėjimas**⚠ ATSAUGIAI****Sužalojimo pavojus dėl trumpojo jungimo arba krintančio akumulatoriaus!**

- ▶ Prieš įdėdami akumuliatorių, įsitikinkite, kad jo ir prietaiso kontakteose nėra pašalinių daiktų.
- ▶ Visada įsitikinkite, kad akumulatorius tinkamai užsifiksavo.

1. Prieš pirmąjį kartą naudodami, akumuliatorių pilnai įkraukite.
2. Akumuliatorių dėkite į prietaisą esantį laikiklį, kol girdimai užsifiksuos.
3. Patikrinkite, ar akumulatorius gerai užfiksotas prietaise.

5.3 Akumulatoriaus išėmimas

1. Spauskite akumulatoriaus atfiksavimo mygtukus.
2. Akumuliatorių išimkite iš prietaiso.

5.4 Diržo kablio (papildomai užsakoma įranga) montavimas 2**⚠ ĮSPĖJIMAS****Sužalojimo pavojus.** Krintantis prietaisas kelia pavojų.

- ▶ Krintantis prietaisas gali sužaloti Jus ir kitus žmones. Prieš pradėdami dirbti, tikrinkite, ar diržo kablys yra patikimai pritvirtintas.

i Diržo kabliu prietaisą galite laikinai „pasidėti“ prie pat kūno – pakabinti ant diržo. Diržo kabli galima sumontuoti taip, kad prietaisą būtų galima kabinti dešinėje arba kairėje kūno pusėje.

1. Akumuliatorių išimkite. → psl. 138
2. Diržo kabli įstatykite į tam tikslui numatytą angą sukтуvo pagrinde.
3. Diržo kabli pritvirtinkite 2 varžtais.



5.5 Keičiamojo įrankio montavimas

SID 14-A
SID 22-A

- Patikrinkite, ar keičiamojo įrankio kotas yra švarus.
 - ▶ Jei reikia, nuvalykite kotą.
- Dešininės / kairinės eigos perjungiklį nustatykite į vidurinę padėtį arba iš prietaiso išimkite akumuliatorių.
- Keičiamąjį įrankį įstatykite į įrankio griebtuvą, kol atsirems, ir leiskite užsifiksuoti.
- Prieš naudodami patikrinkite, ar keičiamasis įrankis tinkamai ir patikimai pritvirtintas.

5.6 Keičiamojo įrankio montavimas

SIW 14-A
SIW 22-A

- Patikrinkite, ar keičiamojo įrankio kotas yra švarus.
 - ▶ Jei reikia, nuvalykite kotą.
- Dešininės / kairinės eigos perjungiklį nustatykite į vidurinę padėtį arba iš prietaiso išimkite akumuliatorių.
- Keičiamojo įrankio šoninę angą nustatykite ties įrankio griebtuvo rutuliniu fiksatoriumi.
- Keičiamąjį įrankį spauskite ant įrankio griebtuvo, kol užsifiksuos.
- Prieš naudodami patikrinkite, ar keičiamasis įrankis tinkamai ir patikimai pritvirtintas.

5.7 Keičiamojo įrankio montavimas

SIW 22-A

ATSARGIAI

Sužalojimo pavojus dėl netinkamo įrankio naudojimo!

- ▶ Naudokite tik tokius įrankius, kurie turi fiksavimo galimybę.
- ▶ Nenaudokite susidėvėjusių arba apgadintų keičiamųjų įrankių.

- Dešininės / kairinės eigos perjungiklį nustatykite į vidurinę padėtį arba nuo prietaiso nuimkite akumuliatorių.
- Iš galinio rakto galvutės griovelio išimkite apvalaus skerspjuvio tarpiklį.
- Ištraukite apsauginį kaištį.
- Galinio rakto galvutę užmaukite ant prietaiso keturbriaunio veleno.



Atkreipkite dėmesį, kad keturbriaunio veleno apsauginio žiedo ir galinio rakto galvutės skylės sutaptų.

- Apsauginį kaištį įstatykite į galinio rakto galvutę.
- Ant galinio rakto galvutės užmaukite apvalaus skerspjuvio tarpiklį.
- Prieš naudodami patikrinkite, ar keičiamasis įrankis tinkamai ir patikimai pritvirtintas.

6 Naudojimas

Laikykites šioje instrukcijoje ir ant prietaiso pateiktų saugos nurodymų ir įspėjimų.



6.1 Sukimo momento nustatymas

- ▶ Sukimo momento perjungiklį spausdinkite tol, kol kairėje perjungiklio pusėje bus parodyta norima sukimo momento reikšmė.

SID 14-A
SID 22-A

Modelis SID ... → psl. 137

SIW 14-A
SIW 22-A

Modelis SIW ... → psl. 137

6.2 Dešininio / kairinio sukimosi nustatymas



Blokavimo įtaisas neleidžia perjungti jungiklio, kol variklis veikia.
Vidurinėje padėtyje valdymo jungiklis yra užblokuotas (įjungimo blokatorius).

- ▶ Dešininės / kairinės eigos perjungiklį nustatykite norimai sukimosi kryptiai.

6.3 Įjungimas

- ▶ Spauskite valdymo jungiklį.
 - ▶ Sukimosi greitis priklauso nuo jungiklio spaudimo gylio.

6.4 Varžtų sukimas



ATSARGIAI

Sužalojimo pavojus dėl pažeistų ruošinių! Dėl per didelio sukimo momento yra pavojus sugadinti varžtus arba ruošinį. Tai gali tapti sužalojimų priežastimi.

- ▶ Įsitikinkite, kad varžtai ir ruošinys gali atlaikyti prietaiso sukimo momentą.

1. Dešininės / kairinės eigos perjungiklį nustatykite į vidurinę padėtį arba iš prietaiso išimkite akumuliatorių.
2. Sukimo momento perjungikliu nustatykite norimą sukimo momento reikšmę. → psl. 140

6.5 Išjungimas

- ▶ Atleiskite valdymo jungiklį.

6.6 Keičiamoją įrankio išėmimas

SID 14-A
SID 22-A



ATSARGIAI

Sužalojimo pavojus dėl keičiamoją įrankio! Keičiamasis įrankis gali būti karštas arba turėti aštrias briaunas.

- ▶ Dirbdami su prietaisu ir keisdami įrankį, mūvėkite apsaugines pirštines.

1. Dešininės / kairinės eigos perjungiklį nustatykite į vidurinę padėtį arba iš prietaiso išimkite akumuliatorių.
2. Patraukite įrankių griebtuvo žiedą į priekį ir laikykite tokioje padėtyje.
3. Keičiamąjį įrankį ištraukite iš griebtuvo.
4. Įrankio griebtuvo žiedą paleiskite.



6.7 Keičiamojo įrankio išėmimas 9

SIW 14-A
SIW 22-A

ATSARGIAI

Sužalojimo pavojus dėl keičiamojo įrankio! Keičiamasis įrankis gali būti karštas arba turėti aštrias briaunas.

► Dirbdami su prietaisu ir keisdami įrankį, mūvėkite apsaugines pirštines.

1. Dešininės / kairinės eigos perjungiklį nustatykite į vidurinę padėtį arba iš prietaiso išimkite akumuliatorių.
2. Keičiamąjį įrankį nutraukite nuo griebtuvo.

6.8 Keičiamojo įrankio išėmimas 10

SIW 22-A

1. Dešininės / kairinės eigos perjungiklį nustatykite į vidurinę padėtį arba nuo prietaiso nuimkite akumuliatorių.
2. Iš galinio rakto galvutės griovelio išimkite apvalaus skerspjuvio tarpiklį.
3. Ištraukite apsauginį kaištį.
4. Galvutę nuimkite nuo prietaiso keturbriaunio veleno.
5. Sumontuokite apsauginį kaištį.
6. Ant galinio rakto galvutės sumontuokite apsauginį apvalaus skerspjuvio tarpiklį.

7 Priežiūra ir einamasis remontas

ĮSPĖJIMAS

Sužalojimo pavojus kai įstatytas akumuliatorius !

► Prieš pradėdami bet kokius techninės priežiūros ir einamojo remonto darbus, akumuliatorių iš prietaiso išimkite!

Prietaiso priežiūra

- Atsargiai pašalinti prilipusius nešvarumus.
- Vėdinimo plyšius atsargiai išvalyti sausu šepetėliu.
- Korpusą valyti tik šiek tiek sudrėkinta šluoste. Nenaudoti silikono turinčių priežiūros priemonių, nes jos gali pakenkti plastikinėms detalėms.

Ličio jonų akumuliatorių priežiūra

- Akumuliatorių saugoti nuo alyvos ir tirštojo tepalo.
- Korpusą valyti tik šiek tiek sudrėkinta šluoste. Nenaudoti silikono turinčių priežiūros priemonių, nes jos gali pakenkti plastikinėms detalėms.
- Saugoti, kad į vidų neprasiskverbtų drėgmė.

Einamasis remontas

- Reguliariai tikrinti, ar matomos dalys nėra pažeistos ir ar valdymo elementai veikia nepriekaištingai.
- Pažeisto ir / arba turinčio veikimo sutrikimų prietaiso nenaudoti. Nedelsiant kreiptis į **Hilti** techninės priežiūros centrą dėl remonto.
- Baigus techninės priežiūros ir einamojo remonto darbus, sumontuoti visus apsauginius įtaisus ir patikrinti jų veikimą.



Kad eksploatacija būtų patikima, naudokite tik originalias atsargines dalis ir eksploatacines medžiagas. Mūsų aprobuotas atsargines dalis, eksploatacines medžiagas ir reikmenis savo prietaisui rasite vietinėje **Hilti Store** arba tinklalapyje www.hilti.group.

8 Akumuliatorių prietaisų transportavimas ir sandėliavimas

Transportavimas

ATSARGIAI

Atsitiktinis įjungimas transportuojant !

► Savo prietaisus visada transportuokite tik išėmę akumuliatorius!



- ▶ Išimti akumulatorius.
- ▶ Akumuliatorių niekada netransportuoti sumetus į krūvą su kitais daiktais.
- ▶ Prieš naudojant po ilgesnio transportavimo, patikrinti, ar prietaisais ir akumulatoriais nėra pažeisti.

Sandėliavimas

ATSARGIAI

Atsitiktinis pažeidimas dėl sugedusių ar išsiliejusių akumuliatorių !

- ▶ Savo prietaisus visada laikykite tik išėmę akumulatorius!
-
- ▶ Prietaisą ir akumulatorius pagal galimybes laikyti sausoje ir vėsioje vietoje.
 - ▶ Akumuliatorių jokiū būdu nelaikyti saulės atokaitoje, ant šildymo prietaisų ar už automobilio lango stiklo.
 - ▶ Prietaisą ir akumulatorius laikyti vaikams bei neįgalotiems asmenims neprieinamoje vietoje.
 - ▶ Prieš naudojant po ilgesnio sandėliavimo, patikrinti, ar prietaisais ir akumulatoriais nėra pažeisti.

9 Pagalba sutrikus veikimui

Pasitaikius sutrikimų, kurie nėra aprašyti šioje lentelėje arba kurių negalite pašalinti patys, kreipkitės į **Hilti** techninės priežiūros centrą.

9.1 Pagalba sutrikus veikimui

Sutrikimas	Galima priežastis	Sprendimas
Prietaisais neveikia.	Akumulatorius netinkamai įstatytas.	▶ Įdėkite akumuliatorių. → psl. 138
	Akumulatorius yra išsikrovęs.	▶ Akumuliatorių įkraukite. → psl. 138
Valdymo jungiklio negalima paspausti arba jis yra užblokuotas.	Dešininės / kairinės eigos perjungiklis yra vidurinėje padėtyje.	▶ Nustatykite dešininės / kairinės eigos perjungiklį. → psl. 140
Staiga stipriai sumažėja sukimosi greitis.	Akumulatorius yra išsikrovęs.	▶ Akumuliatorių įkraukite. → psl. 138
Akumulatorius išsikrauna greičiau nei paprastai.	Labai žema aplinkos temperatūra.	▶ Leiskite akumulatoriui lėtai išilti iki patalpos temperatūros.
Akumulatorius neužsifiksuoja ir nepasigirsta dvigubas spragtelėjimas.	Užterštas akumulatoriaus fiksatorius.	▶ Nuvalykite fiksatorių ir užfiksukite akumuliatorių. Jeigu problema išlieka, susisiekite su Hilti techninės priežiūros centru.
Prietaisais arba akumulatoriais per daug įkaista.	Gedimas elektros grandinėje.	▶ Prietaisą nedelsiant išjunkite, išimkite akumuliatorių ir stebėkite jį, leiskite jam atvėsti ir susisiekite su Hilti techninės priežiūros centru.
	Prietaisais yra perkrautas (viršyta nurodyta apkrova).	▶ Pasirinkite savo darbams tinkantį prietaisą.

10 Utilizavimas

Hilti prietaisai yra pagaminti iš medžiagų, kurias galima naudoti antrą kartą. Būtina antrinio perdirbimo sąlyga yra tinkamas medžiagų išrūšiavimas. Daugelyje šalių **Hilti** priims Jūsų nebenaudojamą prietaisą perdirbti. Apie tai galite pasiteirauti artimiausiame **Hilti** techninės priežiūros centre arba savo prekybos konsultanto.

Akumuliatorių utilizavimas

Dėl netinkamo akumuliatorių utilizavimo į aplinką pasklidusios dujos ar ištėkėję skysčiai gali kelti grėsmę sveikatai.

- ▶ Pažeistų akumuliatorių nesiųskite paštu ir nepervežkite!
- ▶ Kad būtų išvengta trumpojo jungimo, jungtis uždenkite elektrai nelaidžia medžiaga.
- ▶ Akumulatorius utilizuokite taip, kad jie negalėtų patekti į vaikų rankas.



- ▶ Akumulatorių pristatykite utilizuoti į savo **Hilti Store** arba kreipkitės į vietinę kompetentingą utilizavimo įmonę.



- ▶ Elektrinių įrankių, elektroninių prietaisų ir akumuliatorių neišmeskite į buitinius šiukšlynus!

11 RoHS (direktyva dėl pavojingų medžiagų naudojimo ribojimo)

Pavojingų medžiagų lentelę rasite spausdami šias nuorodas: qr.hilti.com/r4923, qr.hilti.com/r4922, qr.hilti.com/r4927 ir qr.hilti.com/r4926.

Nuorodą į RoHS lentelę rasite kaip QR kodą šios instrukcijos gale.

12 Gamintojo teikiama garantija

- ▶ Kilus klausimų dėl garantijos sąlygų, kreipkitės į vietinį **Hilti** partnerį.

Originalkasutusjuhend

1 Andmed dokumentatsiooni kohta

1.1 Kasutusjuhend

- Enne seadme kasutuselevõttu lugege see kasutusjuhend läbi. See on ohutu kasutamise ja tõrgeteta töö eeldus.
- Järgige kasutusjuhendis esitatud ja tootele märgitud ohutusnõudeid ja hoiatusi.
- Hoidke kasutusjuhend alati seadme juures ja toote edasiandmisel teistele isikutele andke üle ka kasutusjuhend.

1.2 Märkide selgitus

1.2.1 Hoiatused

Hoiatused annavad märku toote kasutamisel tekkivatest ohtudest. Kasutatakse alljärgnevaid märksõnu:



OHT

OHT !

- ▶ Võimalikud ohtlikud olukorrad, mis võivad põhjustada kasutaja raskeid kehavigastusi või hukkumist.



HOIATUS

HOIATUS !

- ▶ Võimalik ohtlik olukord, mis võib põhjustada kasutaja raskeid kehavigastusi või hukkumist.



ETTEVAATUST

ETTEVAATUST !

- ▶ Võimalikud ohtlikud olukorrad, millega võivad kaasneda kergemad kehavigastused või varaline kahju.

1.2.2 Kasutusjuhendis kasutatud sümbolid

Selles dokumendis kasutatakse järgmisi sümboleid.



Lugege enne kasutamist läbi kasutusjuhend!



Soovitused seadme kasutamiseks ja muu kasulik teave



Taaskasutatavate materjalide käsitsemine



Elektriseadmeid ja akusid ei tohi visata olmejäätmete hulka.



1.2.3 Joonistel kasutatud sümbolid

Joonistel kasutatakse järgmisi sümboleid.

	Numbrid viitavad vastavatele joonistele kasutusjuhendi alguses
3	Numeratsioon kajastab töötappide järjekorda pildi kujul ja võib tekstis kirjeldatud töötappidest erineda
	Positsiooninumbrid kasutatakse ülevaatejoonisel ja need viitavad selgituste numbritele toote ülevaates
	See märk näitab, et toote käsitsemisel tuleb olla eriti tähelepanelik.

1.3 Tootepõhised sümbolid

1.3.1 Sümbolid tootel

Tootel võib kasutada alljärgnevat sümboleid:

	Löögita puurimine
	Löökpuurimine
/min	Pööret minutis
n_0	Nimipöörete arv tühikäigul
==	Alalisvool
Li-Ion	Liitumioonaku
	Kasutatud Hilti Li-Ion-aku seeria. Pidage kinni peatükis Nõuetekohane kasutamine esitatud juhistest.
	Seade toetab NFC-tehnoloogiat, mis on ühildatav iOS- ja Android-platvormidega.
	Ärge kasutage akut kunagi löögiriistana.
	Ärge laske akul kunagi maha kukkuda. Ärge kasutage akut, mis on saanud löögi või on muul moel kahjustada saanud.

1.4 Tooteinfo

tooted on ette nähtud professionaalsele kasutajale ja neid tohivad käsitseta, hooldada ja korras hoida ainult volitatud ja asjaomase väljaõppega isikud. Nimetatud personal peab olema teadlik kõikidest kaasnevatest ohtudest. Seade ja sellega ühendatavad abivahendid võivad osutada ohtlikuks, kui neid ei kasutata nõuetekohaselt või kui nendega töötab vastava väljaõppeta isik.

Tüübitähis ja seerianumber on tüübisildil.

- ▶ Kandke seerianumber järgmises tabelisse. Andmeid toote kohta vajate meie esindusele või hooldekeskusele päringute esitamisel.

Toote andmed

Akukruvikeeraja	SID 14-A, SID 22-A
Akulöökkruvikeeraja	SIW 14-A, SIW 22-A
Generatsioon:	01
Seerianumber:	

1.5 Vastavusdeklaratsioon

Kinnitame ainuvastutajana, et käesolevas kasutusjuhendis kirjeldatud seade vastab kehtivate direktiivide ja standardite nõuetele: Vastavusdeklaratsiooni ärakirja leiata käesoleva kasutusjuhendi lõpust.

Tehnilised dokumendid on saadaval:

Hilti Entwicklungsgesellschaft mbH | Zulassung Geräte | Hiltistraße 6 | 86916 Kaufering, DE



2 Ohutus

2.1 Üldised ohutusnõuded elektriliste tööriistade kasutamisel

⚠ HOIATUS! Lugege kõiki selle elektrilise tööriista juurde kuuluvaid ohutusjuhiseid, nõuandeid, jooniseid ja tehnilisi andmeid! Järgmisteh juhiste eiramise tagajärg võib olla elektrilöökk, tulekahju ja/või rasked vigastused.

Hoidke kõik ohutusnõuded ja juhised edaspidiseks kasutamiseks alles.

Ohutusjuhistes kasutatud mõiste "elektriline tööriist" käib võrgutoitega (toitejuhtmega) elektriliste tööriistade või akutoitega (toitejuhtmeta) elektriliste tööriistade kohta.

Ohutus töökohal

- ▶ **Hoidke oma töökoht puhas ja valgustage seda korralikult.** Korrastamata ja valgustamata töökoht võib põhjustada õnnetusi.
- ▶ **Ärge kasutage elektrilist tööriista plahvatusohtlikus keskkonnas, kus leidub tuleohtlikke vedelikke, gaase või tolmu.** Elektrilistest tööriistadest lööb sädemeid, mis võivad tolmu või auru süüdata.
- ▶ **Hoidke lapsed ja kõik teised töökohast eemal, kui kasutate elektrilist tööriista!** Kui teie tähelepanu juhitakse kõrvale, võib seade teie kontrolli alt väljuda.

Elektriohutus

- ▶ **Elektrilise tööriista pistik peab sobima pistikupessa. Pistiku juures ei tohi teha mingeid muudatusi. Kaitsemaandusega seadmete puhul ei tohi kasutada adapterpistikuid.** Muutmata pistikud ja sobivad pistikupesad vähendavad elektrilöögiohtu.
- ▶ **Vältige keha kontakti maandatud pindadega (nt toru, radiaator, pliit, külmik).** Kui teie keha on maandatud, on elektrilöögi oht suurem.
- ▶ **Kaitske elektrilist tööriista vihma ja niiskuse eest.** Kui elektrilise tööriista sisemusse satub vett, suurendab see elektrilöögiohtu.
- ▶ **Ärge kasutage ühenduskaablit elektrilise tööriista kandmiseks, riputamiseks ega pistiku stepslist väljatõmbamiseks!** Hoidke ühenduskaablit eemal kuumusest, õlidest, teravatest servadest ja liikuvatest osadest. Kahjustatud või keerdus ühenduskaablid suurendavad elektrilöögiohtu.
- ▶ **Kui töotate elektrilise tööriistaga vabas õhus, kasutage ainult selliseid pikendusjuhtmeid, mida tohib kasutada ka välitingimustes.** Välitingimustesse sobiva pikendusjuhtme kasutamine vähendab elektrilöögiohtu.
- ▶ **Kui seadmega töötamine niiskes keskkonnas on vältimatu, kasutage rikkevoolu kaitselülilit.** Rikkevoolu kaitselülilit kasutamine vähendab elektrilöögiohtu.

Inimeste ohutus

- ▶ **Olge tähelepanelik, jälgige, mida teete, ja toimige elektrilise tööriistaga töötades kaalutletult. Ärge tööta elektrilise tööriistaga, kui olete väsinud või alkoholi, narkootikumide või ravimite mõju all!** Hetkeline tähelepanematus elektrilise tööriista kasutamisel võib põhjustada raskeid kehavigastusi ja varalist kahju.
- ▶ **Kandke isiklikke kaitsevahendeid ja alati kaitseprille.** Isiklike kaitsevahendite, nt tolmu maski, libisemiskindlate turvajalatsite, kaitsekiivri või kuulmiskaitsevahendite kandmine (sõltuvalt elektrilise tööriista tüübist ja kasutusala) vähendab vigastusohu.
- ▶ **Vältige elektrilise tööriista soovimatut käivitamist! Enne elektrilise tööriista ühendamist vooluvõrku ja/või elektrilise tööriista aku paigaldamist, tööriista ülestõstmist ja kandmist veenduge, et elektriline tööriist on välja lülitatud!** Kui hoiate elektrilise tööriista kandmisel sõrme lülilit või ühendate vooluvõrku sisselülitatud tööriista, võib juhtuda õnnetus.
- ▶ **Enne elektrilise tööriista sisselülitamist eemaldage selle küljest seade- ja mutrivõtmed.** Elektrilise tööriista pöörleva osa küljes olev seade- või mutrivõti võib põhjustada vigastusi.
- ▶ **Vältige ebatavalist tööasendit! Võtke stabiilne tööasend ja säilitage alati tasakaal.** Nii saate elektrilist tööriista ootamatutes olukordades paremini kontrollida.
- ▶ **Kandke sobivat rõivastust. Ärge kandke laiu riideid ega ehteid! Hoidke juuksed, rõivad ja kindad seadme liikuvatest osadest eemal.** Lotendavad riided, ehted ja pikad juuksed võivad sattuda seadme liikuvate osade vahele.
- ▶ **Kui elektrilise tööriista külge on võimalik paigaldada tolmuemaldus- ja kogumisseadiseid, veenduge, et need on tööriistaga ühendatud ja et neid kasutatakse nõuetekohaselt.** Tolmuemaldus-seadise kasutamine võib vähendada tolmu taset tingitud ohte.
- ▶ **Ärge laske tekkida petlikul turvatundel ega eirake elektrilise tööriista ohutusreegleid isegi siis, kui olete pärast paljukordset kasutamist elektrilise tööriistaga harjunud.** Tähelepanematu käsitsemine võib sekundi mürdosa jooksul kaasa tuua raskeid vigastusi.



Elektrilise tööriista kasutamine ja käsitsemine

- ▶ **Ärge koormake seadet üle! Kasutage konkreetseks tööks sobivat elektrilist tööriista.** See töötab ettenähtud jõudluspiirides tõhusamalt ja ohutumalt.
- ▶ **Ärge kasutage elektrilist tööriista, mille lüliti on rikkis!** Elektriline tööriist, mida ei saa enam lülitist korralikult sisse ja välja lülitada, on ohtlik ning tuleb viia parandusse.
- ▶ **Tõmmake enne seadme mis tahes seadetöid, tarvikute vahetamist ja seadme hoiuolepanekut pistik pistikupesast välja ja/või eemaldage äravõetav aku.** See ettevaatusabinõu hoiab ära seadme soovimatu käivitumise.
- ▶ **Kasutusvälisel ajal hoidke elektrilist tööriista lastele kättesaamatus kohas.** Ärge laske seadet kasutada isikutel, kes seadme tööpõhimõtet ei tunne või ei ole lugenud käesolevaid kasutusjuhendeid. Asjatundmatute isikute käes on elektrilised tööriistad ohtlikud.
- ▶ **Hooldage elektrilisi tööriistu ja tarvikuid korralikult. Kontrollige, kas liiguvad osad töötavad veatult ega kiilu kiini.** Veenduge, et seadme osad ei ole murdunud või kahjustatud määral, mis mõjutab seadme töökindlust. Laske kahjustatud osad enne seadme kasutamist parandada. Ebapiisavalt hooldatud elektrilised tööriistad põhjustavad õnnetusi.
- ▶ **Hoidke lõiketarvikuid teravad ja puhtad.** Hästi hooldatud, teravate lõikeservadega lõiketarvikud kiiluvad harvemini kinni ja neid on lihtsam juhtida.
- ▶ **Kasutage elektrilist tööriista, tarvikuid ja lisatarvikuid vastavalt nendele juhistele.** Arvestage seejuures töötingimuste ja tehtava töö iseloomuga. Elektrilise tööriista kasutamine otstarbel, milleks see ei ole ette nähtud, võib põhjustada ohtlikke olukordi.
- ▶ **Käepidemed ja haardepinnad peavad olema kuivad, puhtad ning vabad õlist ja rasvast.** Libedad käepidemed ja haardepinnad ei võimalda elektrilist tööriista ootamatutes olukordades kindlalt käitseda ega kontrollida.

Akuga tööriista kasutamine ja käsitsemine

- ▶ **Laadige akusid ainult tootja soovitatud laadimiseseadmega.** Kui teatud tüüpi aku laadimiseks ettenähtud laadimiseseadet kasutatakse teist tüüpi akude laadimiseks, tekib tulekahjuoht.
- ▶ **Kasutage elektrilistes tööriistades ainult ettenähtud akusid.** Teist tüüpi akude kasutamine võib põhjustada vigastusi- ja põlenguohtu.
- ▶ **Hoidke akud kasutusvälisel ajal eemal kirjaklambritest, müntidest, võtmetest, naeltest, kruvidest ja teistest väikestest metallasemetest, mis võivad aku kontaktid omavahel ühendada.** Aku kontaktide vahel tekkinud lühis võib põhjustada põletuse või tulekahju.
- ▶ **Väärkasutuse korral võib akuvedelik avast välja voolata.** Vältige sellega kokkupuudet. Juhusliku kokkupuute korral loputage kahjustatud kohta veega. Kui vedelik satub silma, otsige ka arstiabi. Väljavoolav akuvedelik võib põhjustada nahaärritust või põletust.
- ▶ **Ärge kasutage kahjustatud ega modifitseeritud akut!** Kahjustatud või modifitseeritud akud võivad käituda ettenägematult ja põhjustada tulekahju, plahvatusi või vigastusohtu.
- ▶ **Ärge laske akul kokku puutuda tule ega liiga kõrge temperatuuriga!** Tuli või temperatuur üle 130 °C (265 °F) võivad tekitada plahvatusi.
- ▶ **Järgige kõiki laadimisjuhiseid ja ärge kunagi laadige akut ega akutööriista väljaspool kasutusjuhendis näidatud temperatuurivahemikku.** Väär laadimine või laadimine väljaspool lubatud temperatuurivahemikku võib kahjustada akut ja suurendada tuleohtu.

Hooldus

- ▶ **Laske elektrilist tööriista parandada ainult kvalifitseeritud spetsialistidel, kes kasutavad originaalvaruosi.** Nii on tagatud elektrilise tööriista ohutu töö.
- ▶ **Ärge hooldage kahjustatud akut!** Akut võib hooldada ainult tootja või volitatud klienditeenindus.

2.2 Ohutusnõuded kruvikeerajate ja löökkruvikeerajate kasutamisel

- ▶ **Hoidke elektrilist tööriista käepideme isoleeritud pinnast, kui teete töid, mille puhul võib kruvi tabada varjatud elektrijuhtmeid.** Kokkupuude pingestatud elektrijuhtmega võib seada pinge alla ka seadme metalldetailid ja põhjustada elektrilöögi.

2.3 Täiendavad ohutusnõuded kruvikeerajate kasutamisel**Inimeste turvalisus**

- ▶ Kasutage toodet ainult siis, kui selle tehniline seisukord on veatu.
- ▶ Ärge kunagi muutke ega modifitseerige seadet.
- ▶ Kasutage tarnekomplekti kuuluvaid lisakäepidemeid. Kontrolli kaotus seadme üle võib põhjustada vigastusi.
- ▶ Hoidke seadet ettenähtud käepidemetest mõlema käega. Hoidke käepidemed kuivad ja puhtad.



- ▶ Vältige kokkupuudet seadme pöörlevate osadega - vigastuste oht!
- ▶ Seadme kasutamise ajal kandke sobivaid kaitseprille, kaitsekiivrit, kuulmiskaitsevahendeid, kaitsekindaid ja kergest hingamisteede kaitsemaski.
- ▶ Kandke ka tarvikut vahetades kaitsekindaid! Tarviku puudutamine võib tekitada löikehaavu ja põletusi.
- ▶ Kasutage kaitseprille. Materjalist väljalendavad killud võivad tekitada keha- ja silmavigastusi.
- ▶ Enne töö algust tehke kindlaks töötamisel tekkiva tolmu ohuklass. Kasutage ettenähtud kaitseklassi kuuluvat ehitustolmuimejat, mis vastab kehtivatele tolmukaitseõuetele. Pliiisisaldusega värvide, teatavat liiki puidu, betooni/müüritise/kvartsisisaldusega kivi, mineraalide ja metalli tolm võib kahjustada tervist.
- ▶ Tagage töökohal hea ventilatsioon ja vajaduse korral kandke tekkiva tolmu filtreerimiseks sobivat hingamisteede kaitsemaski. Kokkupuude tolmuga või tolmu sissehingamine võib põhjustada kasutajal või läheduses viibvatel isikutel allergilist reaktsiooni ja/või hingamisteede haigusi. Teatav tolm, nt tamme- või pöögitolm on kantserogeenne, seda eeskätt koosmõjus puidu töötlemise lisaainetega (kromaat, puidukaitsevahendid). Asbesti sisaldavate materjalide töötlemine on lubatud vaid asjaomase kvalifikatsiooniga isikutel.
- ▶ Tehke töopause ja liigutage sõrmi, et parandada nende verevarustust. Pikemaajaliste tööde korral võib vibratsioon tekitada probleeme sõrmede, käte ja randmeliigeste veresoontes ja närvisüsteemis.

Elektrihoutus

- ▶ Enne töö algust kontrollige tööpiirkond üle ja veenduge, et seal ei ole varjatud elektrijuhtmeid, gaasi- ega veetorusid. Seadme välised metalliosad võivad elektrijuhtme vigastamise korral tekitada elektrilöögi.

Elektriliste tööriistade hoolikas käsitsemine ja kasutamine

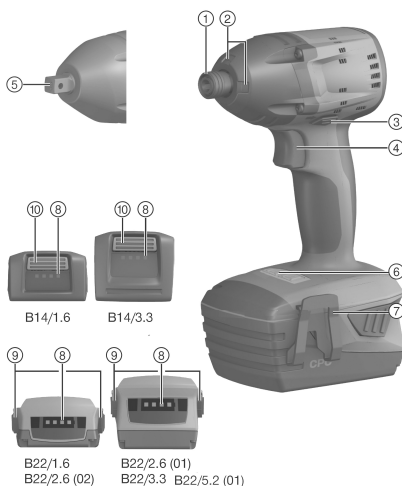
- ▶ Tarviku blokeerumise korral lülitage tööriist kohe välja. Seade võib külgsuunas liikuda.
- ▶ Enne käestpanekut oodake, kuni tööriist on seiskunud.

2.4 Akude hoolikas käsitsemine ja kasutamine

- ▶ Järgige liitumioonakude veo, ladustamise ja käsitsemise suhtes kehtivaid erinõudeid.
- ▶ Kaitske akusid kõrgete temperatuuride, otsese päikesekiirguse ja tule eest.
- ▶ Akusid ei tohi lahti võtta, muljuda, kuumutada üle 80 °C ega põletada.
- ▶ Ärge kasutage ega laadige akusid, mis on saanud löögi, kukkunud kõrgemalt kui üks meeter või muul viisil vigastada saanud. Võtke sellisel juhul alati ühendust **Hilti hooldekeskusega**.
- ▶ Kui aku on nii kuum, et seda ei saa puudutada, võib aku olla defektne. Asetage aku tulekindlasse kohta nii, et see jääb süttivatest materjalidest piisavalt kaugele ja et seda saaks jälgida, ning laske akul jahtuda. Võtke sellisel juhul alati ühendust **Hilti hooldekeskusega**.

3 Kirjeldus

3.1 Tooteülevaade



- ① Sisekuuskant (SID)
- ② Valgustus
- ③ Reverslüüti koos sisselülitustõkisega
- ④ Juhtlüüti (pöörete arvu elektroonilise juhtimisega)
- ⑤ Välisnelikant (SIW)
- ⑥ Pöördemomendi lüliti
- ⑦ Võõklamber (lisatarvik)
- ⑧ Aku laetuse astme näidik
- ⑨ Vabastusnupud (Akku B22/...)
- ⑩ Vabastusnupp (Akku B14/...)



3.2 Kasutusotstarve

Kirjeladatud toode on käsitsi juhitud akutoitega löökkruvikeeraja. See on ette nähtud kruvide, mutrite ja keermestatud poltide keeramiseks puitu, metalli, müüritisse ja betooni.

Löökkruvikeerajat tohib kasutada üksnes töödeks, mis ei nõua täpset/spetsifitseeritud pöördemomenti. Vastasel korral esineb ülekeeramise, kruvi või tooriku kahjustamise oht.

- ▶ Kasutage selle toote jaoks üksnes B14 (SID/SIW 14-A) või B22 (SID/SIW 22-A) seeria **Hilti** Li-Ion-akusid.
- ▶ Nende akude laadimiseks kasutage ainult C4/36 tüüpi **Hilti** laadimiseseadmeid.

3.3 Aku laetuse astme indikaator

Li-Ion-aku laetuse astet kuvatakse pärast kergest vajutamist (kuni tuntava takistuseni) vabastusnupule.

Seisund	Tähendus
4 LED-tuld põlevad.	Laetuse aste: 75 % kuni 100 %
3 LED-tuld põlevad.	Laetuse aste: 50 % kuni 75 %
2 LED-tuld põlevad.	Laetuse aste: 25 % kuni 50 %
1 LED-tuli põleb.	Laetuse aste: 10 % kuni 25 %
1 LED vilgub.	Laetuse aste: < 10 %



Aku laetuse astet saab lugeda ajal, mil juhtlüliti on alla vajutatud ja kuni 5 s vältel pärast juhtlüliti vabastamist.

3.4 Tarnekomplekt

Löökkruvikeeraja, kasutusjuhend.



Teie tootega sobivaid ja meie poolt heakskiidetud varuosad, materjalid ja tarvikud leiате kauplusest **Hilti Store** või veebilehelt: www.hilti.group | USA: www.hilti.com

4 Löökkruvikeeraja

	SID 14-A	SIW 14-A
Nimipinge	14,4 V	14,4 V
Kaal vastavalt EPTA Procedure-01	1,6 kg	1,6 kg
Nimipöörded tühikäigul	Asend I	0 p/min ... 1 000 p/min
	Asend II	0 p/min ... 1 500 p/min
	Asend III	0 p/min ... 2 500 p/min
Löökkide arv	≤ 3 100 bpm	≤ 3 400 bpm
Pöördemomendi reguleerimine	3 astet	3 astet
Suured standardkruvid	M8 - M16	M8 - M16
Ülitugevad kruvid	M6 - M12	M6 - M12
Padrun	$\frac{1}{4}$ " kaitsemansetiga sisekuuskant	$\frac{1}{2}$ " poolkeraga välisnelikant või $\frac{3}{8}$ " kinnitusrõngaga välisnelikant
Ümbritseva keskkonna temperatuur töötamise ajal	-17 °C ... 60 °C	-17 °C ... 60 °C
Hoiutemperatuur	-20 °C ... 70 °C	-20 °C ... 70 °C

	SID 22-A	SIW 22-A
Nimipinge	21,6 V	21,6 V
Kaal vastavalt EPTA Procedure-01	2,1 kg	2,1 kg
Nimipöörded tühikäigul	Asend I	0 p/min ... 1 000 p/min
	Asend II	0 p/min ... 1 500 p/min
	Asend III	0 p/min ... 2 500 p/min



	SID 22-A	SIW 22-A
Löökide arv	≤ 3 450 bpm	≤ 3 500 bpm
Pöördemomendi reguleerimine	3 astet	3 astet
Suured standardkruvid	M8 - M16	M8 - M16
Ülitugevad kruvid	M6 - M12	M6 - M12
Padrun	$\frac{1}{4}$ " kaitsemansetiga sisekuuskant	$\frac{1}{2}$ " poolkeraga välisnelikant või $\frac{3}{8}$ " kinnitusrõngaga välisnelikant
Ümbritseva keskkonna temperatuur töötamise ajal	-17 °C ... 60 °C	-17 °C ... 60 °C
Hoiutemperatuur	-20 °C ... 70 °C	-20 °C ... 70 °C

4.1 Andmed müra ja vibratsiooni kohta vastavalt standardile EN 62841

Käesolevas juhendis märgitud helirõhu- ja vibratsioonitase on mõõdetud standarditult mõõtemeetodil ja seda saab kasutada elektriliste tööriistade omavaheliseks võrdlemiseks. See sobib ka vibratsiooni- ja mürataseme esialgseks hindamiseks.

Toodud näitajad iseloomustavad elektrilise tööriista põhilisi ettenähtud töid. Kui aga elektrilist tööriista kasutatakse muul otstarbel, teiste tarvikutega või kui tööriista on ebapiisavalt hooldatud, võivad näitajad käesolevas juhendis toodud näitajatest kõrvale kalduda. See võib vibratsiooni- ja mürataset töötamise koguperioodil tunduvalt suurendada.

Ekspositsiooni täpseks hindamiseks tuleb arvesse võtta ka aega, mil seade oli välja lülitatud või küll sisse lülitatud, kuid tegelikult tööle rakendamata. See võib vibratsiooni- ja mürataset töö koguperioodi lõikes tunduvalt vähendada.

Kasutaja kaitseks müra ja/või vibratsiooni eest võtke tarvitusele täiendavaid kaitsemeetmeid, näiteks: hooldage elektrilist tööriista ja tarvikuid korralikult, hoidke käed soojad, tagage sujuv töökorraldus.

Teave müra kohta

	SID 14-A	SIW 14-A	SID 22-A	SIW 22-A
Helivõimsustase (L_{WA})	94 dB(A)	94 dB(A)	97 dB(A)	97 dB(A)
Mõõtemääramatus helivõimsustaseme puhul (K_{WA})	3 dB(A)	3 dB(A)	3 dB(A)	3 dB(A)
Helirõhutase (L_{pA})	83 dB(A)	83 dB(A)	86 dB(A)	86 dB(A)
Mõõtemääramatus helirõhutaseme puhul (K_{pA})	3 dB(A)	3 dB(A)	3 dB(A)	3 dB(A)

Vibratsioonitase

	SID 14-A	SIW 14-A	SID 22-A	SIW 22-A
Vibratsioonitase maksimaalselt lubatud suurusega kruvide ja mutrite pingutamisel (a_{h1})	7,5 m/s ²	7,5 m/s ²	11 m/s ²	11 m/s ²
Mõõtemääramatus maksimaalse lubatud suurusega poltide ja mutrite pingutamisel	1,5 m/s ²	1,5 m/s ²	1,5 m/s ²	1,5 m/s ²

4.2 Pöördemomendi reguleerimine

Pöördemoment reguleeritakse välja pöördemomendi lüliti asendi kaudu.

Mudel SID ...

SID 14-A

SID 22-A

		Mudel	
		SID 14-A	SID 22-A
Pöördemoment	Asend I	50 Nm	60 Nm
	Asend II	100 Nm	110 Nm
	Asend III	150 Nm	165 Nm



		SIW 14-A	
		1/2" poolkeraga välisnelikant	3/8" kinnitusrõngaga välisnelikant
Pöördemoment	Asend I	80 Nm	65 Nm
	Asend II	120 Nm	115 Nm
	Asend III	185 Nm	160 Nm

		SIW 22-A	
		1/2" poolkeraga välisnelikant	3/8" kinnitusrõngaga välisnelikant
Pöördemoment	Asend I	90 Nm	75 Nm
	Asend II	135 Nm	120 Nm
	Asend III	200 Nm	175 Nm

4.3 Aku 14,4 V

Aku tööpinge	14,4 V
Ümbritseva keskkonna temperatuur	-10 °C ... 60 °C
Hoiutemperatuur	-20 °C ... 40 °C

4.4 Aku 21,6 V

Aku tööpinge	21,6 V
Ümbritseva keskkonna temperatuur	-17 °C ... 60 °C
Hoiutemperatuur	-20 °C ... 40 °C

5 Töö ettevalmistamine

ETTEVAATUST

Vigastuste oht soovimatu käivitumise tõttu!

- ▶ Enne aku paigaldamist veenduge, et selle juurde kuuluv seade on välja lülitatud.
- ▶ Enne seadme seadistamist ja tarvikute vahetamist eemaldage seadme aku.

Järgige kasutusjuhendis esitatud ja tootele märgitud ohutusnõudeid ja hoiatusi.

5.1 Aku laadimine

1. Enne laadimist lugege laadimiseadme kasutusjuhendit.
2. Veenduge, et aku ja laadimiseadme kontaktid on puhtad ja kuivad.
3. Laadige akut selleks ettenähtud laadimiseadmega.

5.2 Aku paigaldamine

ETTEVAATUST

Vigastuste oht lühise või allakukkunud aku tõttu!

- ▶ Enne aku paigaldamist veenduge, et aku ja seadme kontaktidel ei ole võõrkehaseid.
- ▶ Veenduge, et aku fikseerub alati korrektselt kohale.

1. Enne esmakordset kasutamist laadige aku täiesti täis.
2. Asetage aku seadme hoidikusse, nii et fikseerub kuuldavalt kohale.
3. Kontrollige aku kindlat kinnitumist.



5.3 Aku eemaldamine

1. Vajutage aku vabastusnuppudele.
2. Tõmmake aku seadmest välja.

5.4 Vööklambri paigaldamine (soovi korral) 2

HOIATUS

Vigastuste oht Allakukkuvast tööriistast põhjustatud oht.

- ▶ Allakukkuv tööriist võib Teid ja teisi inimesi vigastada. Enne töö alustamist veenduge, et vööklamber on kindlalt kinnitatud.



Vööklambri abil saate seadme kinnitada vöö külge, nii on see kogu aeg käeulatuses. Vööklambri saab paigaldada nii vasakule kui paremale küljele.

1. Eemaldage aku. → Lehekülg 151
2. Torgake vööklamber selleks ettenähtud avasse kruvikeeraja jala küljes.
3. Kinnitage vööklamber kahe kruviga.

5.5 Tarviku paigaldamine 3

SID 14-A
SID 22-A

1. Kontrollige, kas tarviku padrunisse kinnituv ots on puhas.
 - ▶ Puhastage tarviku padrunisse kinnitav ots.
2. Viige reverslüli keskasendisse või eemaldage seadmest aku.
3. Torgake tarvik lõpuni padrunisse ja laske kohale fikseeruda.
4. Enne töölerakendamist kontrollige saeketta kindlat kinnitumist.

5.6 Tarviku paigaldamine 4

SIW 14-A
SIW 22-A

1. Kontrollige, kas tarviku padrunisse kinnituv ots on puhas.
 - ▶ Puhastage tarviku padrunisse kinnitav ots.
2. Viige reverslüli keskasendisse või eemaldage seadmest aku.
3. Seadke tarviku küljel olev ava kohakuti padruni poolkeraga.
4. Suruge tarvik padrunisse, nii et see fikseerub kohale.
5. Enne töölerakendamist kontrollige saeketta kindlat kinnitumist.

5.7 Tarviku paigaldamine 5

SIW 22-A

ETTEVAATUST

Vigastuste oht tingitud valesst tarvikust!

- ▶ Kasutage üksnes tarvikuid, mida saab lukustada.
- ▶ Ärge kasutage kulunud ega kahjustada saanud tarvikuid.

1. Viige reverslüli keskasendisse või eemaldage seadmest aku.
2. Eemaldage hülsi soonest O-rõngas.
3. Tõmmake lukustusvarras välja.
4. Asetage hüls seadme nelikandile.



Veenduge, et välisnelikandi ja hülsi avad on kaitserõngal kohakuti.

5. Asetage lukustusvarras hülsi.



6. Kinnitage O-rõngas hülsi külge.
7. Enne tööerakendamist kontrollige saeketta kindlat kinnitumist.

6 Käsitsemine

Järgige kasutusjuhendis esitatud ja tootele märgitud ohutusnõudeid ja hoiatusi.

6.1 Pöördemomendi reguleerimine

- ▶ Vajutage pöördemomendi lüliti seni, kuni soovitud pöördemomendi astet kuvatakse vasakul pöördemomendi lüliti kõrval.

SID 14-A
SID 22-A

Mudel SID ... → Lehekülg 149

SIW 14-A
SIW 22-A

Mudel SIW ... → Lehekülg 150

6.2 Parema/vasaku käigu seadistamine



Blokeering takistab lüliti kasutamist mootori töötamise ajal.
Keskasendis on juhtlüli lukustatud (siselülitustõkis).

- ▶ Seadke reverslüli soovitud pöörlemissuuna asendisse.

6.3 Sisselülitamine

- ▶ Vajutage juhtlülitile.
 - ▶ Pöörete arvu saab reguleerida sissesurumise sügavuse kaudu.

6.4 Kruvikeeramine



ETTEVAATUST

Kahjustada saanud detailidest tingitud kehavigastuste oht! Kruvi või toorik võivad liiga suure rakendatud pöördemomendi korral kahjustada saada. See võib põhjustada vigastusi.

- ▶ Veenduge, et kruvid ja toorik seadme poolt tekitatava pöördemomendiga sobivad.
-

1. Viige reverslüli keskasendisse või eemaldage seadmest aku.
2. Reguleerige pöördemomendi lülitist välja soovitud pöördemoment. → Lehekülg 152

6.5 Väljalülitamine

- ▶ Vabastage juhtlüli.

6.6 Tarviku mahavõtmine

SID 14-A
SID 22-A



ETTEVAATUST

Tarvikust tingitud kehavigastuste oht! Tarvik võib olla kuum või teravate servadega.

- ▶ Seadme kasutamisel ja tarviku vahetamisel kandke kaitsekindaid.
-

1. Viige reverslüli keskasendisse või eemaldage seadmest aku.
2. Tõmmake padrini rõngast ette ja hoidke kinni.
3. Tõmmake tarvik padrunist välja.
4. Vabastage padrini rõngas.



6.7 Tarviku mahavõtmine 9

SIW 14-A
SIW 22-A

ETTEVAATUST

Tarvikust tingitud kehavigastuste oht! Tarvik võib olla kuum või teravate servadega.

- ▶ Seadme kasutamisel ja tarviku vahetamisel kandke kaitsekindaid.

1. Viige reverslüüti keskasendisse või eemaldage seadmest aku.
2. Tõmmake tarvik padrunist välja.

6.8 Tarviku eemaldamine 10

SIW 22-A

1. Viige reverslüüti keskasendisse või eemaldage seadmest aku.
2. Eemaldage hülsi soonest O-rõngas.
3. Tõmmake välja lukustusvarras.
4. Eemaldage hüls seadme nelikandilt.
5. Paigaldage lukustusvarras.
6. Paigaldage O-rõngas kaitseks hülsi külge.

7 Hooldus ja korrashoid

HOIATUS

Vigastuste oht paigaldatud aku korral !

- ▶ Enne mis tahes hooldus- ja korrashoiutöid eemaldage seadmest aku!

Seadme hooldamine

- Eemaldage kõvasti kinni olev mustus ettevaatlikult.
- Puhastage ventilatsioonivahendid ettevaatlikult kuiva harjaga.
- Puhastage korpust kergelt niiske lapiga. Ärge kasutage silikooni sisaldavaid hooldusvahendeid, sest need võivad kahjustada seadme plastdetaili.

Liitiumioonakude hooldus

- Hoidke aku puhas ja vaba õlist ja rasvast.
- Puhastage korpust kergelt niiske lapiga. Ärge kasutage silikooni sisaldavaid hooldusvahendeid, sest need võivad kahjustada seadme plastdetaili.
- Vältige vedeliku sissetungimist.

Korrashoid

- Kontrollige regulaarselt, kas kõik nähtavad osad on terved ja kas juhtelemendid toimivad veatult.
- Kahjustuste ja/või tõrgete korral ei tohi seadet kasutada. Laske tööriist kohe **Hilti** hooldekeskuses parandada.
- Pärast hooldus- ja korrashoiutöid paigaldage kõik kaitseeadised ja kontrollige nende toimivust.



Tööohutuse tagamiseks kasutage ainult originaalvaruosi ja -materjale. Teie tootega sobivaid ja meie poolt heakskiidetud varuosad, materjalid ja tarvikud leiate kauplusest **Hilti Store** või veebilehelt: www.hilti.group.

8 Akutööriistade transport ja ladustamine

Transport

ETTEVAATUST

Soovimatu käivitamine transportimisel !

- ▶ Transportige tooteid ilma akudeta!
- ▶ Eemaldage akud.



2072653

Eesti 153

- ▶ Ärge kunagi transportige akusid lahtiselt.
- ▶ Pärast pikemat transporti kontrollige, kas tööriist või akud on saanud vigastusi.

Ladustamine

ETTEVAATUST

Defektssed akud või lekkivad akud võivad tekitada vigastusi !

- ▶ Kasutusvälisel ajal eemaldage seadmest aku!
-
- ▶ Hoidke seadet ja akusid võimalikult jahedas ja kuivas kohas.
 - ▶ Ärge hoidke akusid kunagi päikese käes, küttekeha peal ega aknalual.
 - ▶ Hoidke seadet ja akusid lastele ja kõrvalistele isikutele ligipääsmatus kohas.
 - ▶ Pärast pikemaajalist ladustamist kontrollige, kas tööriist või akud on saanud vigastusi.

9 Abi tõrgete puhul

Kui peaks esinema tõrge, mida ei ole järgmises tabelis nimetatud või mida Te ei suuda ise kõrvaldada, pöörduge **Hilti** hooldekeskusse.

9.1 Abi tõrgete puhul

Tõrge	Võimalik põhjus	Lahendus
Seade ei tööta.	Aku ei ole täielikult sisse pandud.	▶ Paigaldage aku. → Lehekülg 150
	Aku on tühi.	▶ Laadige akut. → Lehekülg 150
Juhtlülitit ei saa käsitseda või see on kinni kiilunud.	Reverslülitit on keskasendis.	▶ Seadke reverslülitit vastavasse asendisse. → Lehekülg 152
Pöörlemiskiirus alaneb järsku tunduvalt.	Aku on tühi.	▶ Laadige akut. → Lehekülg 150
Aku tühjeneb tavalisest kiiremini.	Ümbritseva keskkonna väga madal temperatuur.	▶ Laske akul aeglaselt ruumitemperatuurile soojeneda.
Aku ei fikseeru kuuldava topeltklõpsuga kohale.	Aku lukustusmehhanism on määratud.	▶ Puhastage fiksaatorninad ja laske akul kohale fikseeruda. Kui probleem ei kao, võtke ühendust Hilti hooldekeskusega.
Seade või aku muutuvad väga kuumaks.	Elektriline rike.	▶ Lülitage seade kohe välja, eemaldage aku, jälgige seda, laske akul jahtuda ja võtke ühendust Hilti hooldekeskusega.
	Seade on üle koormatud (seadme jõudluspiirid on ületatud).	▶ Valige tööks sobiv seade.

10 Utiliseerimine

Hilti seadmed on suures osas valmistatud taaskasutatavatest materjalidest. Taaskasutuse eelduseks on materjalide korralik sorteerimine. Paljudes riikides kogub **Hilti** kasutusressursi ammendanud seadmed kokku. Lisateavet saate **Hilti** müügiesindusest.

Akude utiliseerimine

Asjatundmatu käitlemise korral võib akudest eralduda terviseohtlikke gaase või vedelikke.

- ▶ Ärge saatke kahjustada saanud akusid posti teel!
- ▶ Lühise vältimiseks katke akukontaktid elektrit mittejuhtiva materjaliga.
- ▶ Käideldelge akusid nii, et need ei satu laste kätte.
- ▶ Utiliseerige aku **Hilti Store** esinduses või pöörduge asjaomase jäätmekäitlusettevõtte poole.



- ▶ Ärge visake kasutusressursi ammendanud elektrilisi tööriistu, elektroonikaseadmeid ja akusid olmejäätmete hulka!



11 RoHS (direktiiv ohtlike ainete kasutamise piirangute kohta)

Ohtlike ainete tabeli leiate järgmistel linkidel: qr.hilti.com/r4923, qr.hilti.com/r4922, qr.hilti.com/r4927 ja qr.hilti.com/r4926.

RoHS-tabeli juurde viiva lingi leiate käesoleva dokumendi lõpust QR-koodina.

12 Tootja garantii

- ▶ Kui Teil on küsimusi garantitingimuste kohta, pöörduge **Hilti** müügiesindusse.

Оригінальна інструкція з експлуатації

1 Інформація про документацію

1.1 Інформація про цей документ

- Перш ніж розпочинати роботу з інструментом, прочитайте цей документ. Це є передумовою безпечної роботи та відсутності несправностей під час застосування інструмента.
- Дотримуйтеся попереджувальних вказівок та вказівок з техніки безпеки, наведених у цьому документі та на корпусі інструмента.
- Завжди зберігайте інструкцію з експлуатації поблизу інструмента та передавайте інструмент іншим особам лише разом з інструкцією.

1.2 Пояснення символів

1.2.1 Попереджувальні вказівки

Попереджувальні вказівки інформують користувача про фактори небезпеки, пов'язані із застосуванням інструмента. Використовуються такі сигнальні слова:

НЕБЕЗПЕКА

НЕБЕЗПЕКА !

- ▶ Указує на безпосередню небезпеку, що може призвести до отримання тяжких тілесних ушкоджень або навіть до смерті.

ПОПЕРЕДЖЕННЯ

ПОПЕРЕДЖЕННЯ !

- ▶ Указує на потенційно небезпечну ситуацію, яка може призвести до отримання тяжких тілесних ушкоджень або навіть смерті.





ОБЕРЕЖНО

ОБЕРЕЖНО !

- ▶ Указує на потенційно небезпечну ситуацію, яка може призвести до отримання легких тілесних ушкоджень та до матеріальних збитків.

1.2.2 Символи у документі

У цьому документі використовуються такі символи:

	Перед використанням прочитайте інструкцію з експлуатації
	Указівки щодо експлуатації та інша корисна інформація
	Поводження з матеріалами, придатними для вторинної переробки
	Не викидайте електроінструменти і акумуляторні батареї у баки для побутового сміття



1.2.3 Символи на ілюстраціях

На ілюстраціях використовуються такі символи:

	Цифрами позначаються відповідні ілюстрації, наведені на початку цієї інструкції
3	Нумерація відображає послідовність робочих кроків на ілюстраціях та може відрізнятися від нумерації у тексті
	Номера позицій, наведені на оглядовій ілюстрації , відповідають номерам у легенді, що представлена у розділі « Огляд продукту »
	Цей символ позначає аспекти, на які слід звернути особливу увагу під час застосування інструмента.

1.3 Символи, що обумовлені типом інструмента

1.3.1 Символи на інструменті

На інструменті можуть бути наведені такі символи:

	Безударне свердління отворів
	Ударне свердління отворів
/min	Оберти на хвилину
n_0	Номінальна частота обертання під час холостого ходу
	Постійний струм
Li-Ion	Літій-іонна акумуляторна батарея
	Використовуваний тип літій-іонної акумуляторної батареї Hilti . Дотримуйтеся вказівок, наведених у розділі « Використання за призначенням ».
	Інструмент підтримує технологію NFC та є сумісним із платформами iOS та Android.
	Ніколи не використовуйте акумуляторну батарею у якості ударного інструмента.
	Не допускайте падіння акумуляторної батареї. Не використовуйте акумуляторну батарею, яка зазнала ударного навантаження або була пошкоджена іншим чином.

1.4 Інформація про інструмент

Інструменти призначені для професійного використання, а тому їхню експлуатацію, технічне обслуговування та ремонт слід доручати лише авторизованому персоналу зі спеціальною підготовкою. Цей персонал повинен бути спеціально проінструктований про можливі ризики. Інструмент та допоміжне приладдя можуть стати джерелом небезпеки у разі їхнього неправильного застосування некваліфікованим персоналом або у разі використання не за призначенням.

Тип та серійний номер зазначені на заводській табличці.

- Перепишіть серійний номер у наведену нижче таблицю. При оформленні запитів до нашого представництва та до сервісної служби вказуйте інформацію про інструмент.

Інформація про інструмент

Акумуляторний шурупокрут	SID 14-A, SID 22-A
Акумуляторний ударний шурупокрут	SIW 14-A, SIW 22-A
Версія:	01
Серійний номер:	

1.5 Сертифікат відповідності

Зі всією належною відповідальністю заявляємо, що описаний у цьому документі інструмент відповідає діючим директивам і стандартам. Копія сертифіката відповідності наведена у кінці цього документа.

Технічна документація зазначена нижче:



2 Безпека

2.1 Загальні вказівки з техніки безпеки при роботі з електроінструментами

⚠ ПОПЕРЕДЖЕННЯ! Уважно прочитайте усі вказівки та інструкції з техніки безпеки, ознайомтеся з малюнками та технічними даними цього електроінструмента. Щонайменше недотримання наведених нижче вказівок може призвести до ураження електричним струмом, займання та/або отримання тяжких травм.

Збережіть всі інструкції та вказівки з техніки безпеки – вони можуть знадобитися Вам у майбутньому.

Термін «електроінструмент», який використовується у вказівках з техніки безпеки, позначає як електроінструменти, що працюють від електричної мережі (із кабелем живлення), так і електроінструменти, що працюють від акумуляторної батареї (без кабелю живлення).

Безпека на робочому місці

- ▶ **Дбайте про чистоту та достатнє освітлення робочого місця.** Безлад на робочому місці та недостатнє освітлення можуть стати причиною нещасних випадків.
- ▶ **Не працюйте з електроінструментом у вибухонебезпечному середовищі, що містить легкозаймисті рідини, гази або пил.** Під час роботи електроінструментів утворюються іскри, від яких можуть зайнятися легкозаймисті випари або пил.
- ▶ **Подбайте про те, щоб під час використання електроінструмента поблизу не було дітей та сторонніх осіб.** Щонайменше відволікання може призвести до втрати контролю над інструментом.

Електрична безпека

- ▶ **Штепсельна вилка електроінструмента повинна підходити до розетки живлення. Забороняється вносити зміни до конструкції штепсельної вилки. Не дозволяється застосовувати перехідні штепсельні вилки в електроінструментах із захисним заземленням.** У разі використання оригінальних штепсельних вилок і відповідних розеток знижується ризик ураження електричним струмом.
- ▶ **Під час роботи намагайтеся не торкатися заземлених поверхонь, наприклад труб, радіаторів опалення, печей та холодильників.** Якщо Ваше тіло перебуває в контакті із системою заземлення, існує підвищений ризик ураження електричним струмом.
- ▶ **Захищайте електроінструменти від дощу та вологи.** У разі проникнення води в електроінструмент підвищується ризик ураження електричним струмом.
- ▶ **Використовуйте з'єднувальний кабель тільки за призначенням, не переносьте за нього електроінструмент, не користуйтеся ним для підвішування інструмента та не тримайтеся за нього, дістаючи штепсельну вилку з розетки. Оберігайте з'єднувальний кабель від впливу високих температур, від дії мастил та контакту з гострими кромками або рухомими частинами інструмента.** Пошкоджені або залутані з'єднувальні кабелі підвищують ризик ураження електричним струмом.
- ▶ **Працюючи з електроінструментом під відкритим небом, використовуйте лише подовжувальний кабель, придатний для зовнішнього застосування.** Використання подовжувального кабелю, призначеного для зовнішнього застосування, зменшує ризик ураження електричним струмом.
- ▶ **Якщо неможливо уникнути експлуатації електроінструмента за умов підвищеної вологості, використовуйте автомат захисту від струму витoku.** Використання автомата захисту від струму витoku зменшує ризик ураження електричним струмом.

Безпека персоналу

- ▶ **Будьте уважними, зосередьтеся на виконуваній операції, до роботи з електроінструментом ставтеся серйозно. Не користуйтеся електроінструментом, якщо Ви втомлені або перебуваєте під дією наркотичних речовин, алкоголю або лікарських засобів.** Під час роботи з електроінструментом не відволікайтеся ні на мить, оскільки це може призвести до отримання серйозних травм.
- ▶ **Використовуйте засоби індивідуального захисту і завжди надягайте захисні окуляри.** Використання засобів індивідуального захисту, наприклад респіратора, захисного зуптця на нековзній підшві, захисного шолома або шумозахисних навушників – залежно від різновиду електроінструмента та особливостей його застосування – зменшує ризик травмування.
- ▶ **Уникайте випадкового вмикання електроінструмента. Переконайтеся в тому, що електроінструмент вимкнений, перш ніж вставляти штепсельну вилку в розетку живлення та/або приєднувати акумулятор, піднімати електроінструмент або переносити його.** Якщо під час пе-



ренесення електроінструмента тримати палець на вимикачі або приєднувати інструмент до джерела живлення увімкненим, це може призвести до нещасного випадку.

- ▶ **Перш ніж вмикати електроінструмент, від'єднайте від нього все налагоджувальне приладдя або гайкові ключі.** Приладдя або ключ, що знаходяться в обертовому вузлі інструмента, можуть стати причиною отримання травм.
- ▶ **Уникайте виконання роботи в незручній позі. Під час виконання робіт ставайте в стійку позу і намагайтеся повсякчас утримувати рівновагу.** Це дозволить Вам більш упевнено контролювати електроінструмент у разі виникнення несподіваних обставин.
- ▶ **Надягайте відповідний робочий одяг. Не надягайте для роботи занадто просторий одяг та прикраси. Слідкуйте за тим, щоб волосся, одяг та робочі рукавиці знаходилися подалі від обертових частин інструмента.** Просторий одяг, прикраси або довге волосся можуть бути захоплені рухомими частинами інструмента.
- ▶ **Якщо передбачена можливість установа системи пиловидалення та пилозбірників, обов'язково переконайтеся в тому, що вони правильно приєднані й використовуються належним чином.** Застосування системи видалення пилу дозволяє зменшити негативний вплив пилу на персонал.
- ▶ **Не можна нехтувати правилами безпеки під час роботи з електроінструментами навіть у тому випадку, коли Ви добре знайомі з тим чи іншим електроінструментом.** Якщо користуватися інструментом необережно, лише малої частки секунди може бути достатньо для отримання тяжких травм.

Використання електроінструмента та належний догляд за ним

- ▶ **Не допускайте перенавантаження інструмента. Завжди використовуйте електроінструмент, призначений для виконання відповідної роботи.** При використанні належного електроінструмента забезпечуються більш висока якість та безпека виконання робіт у вказаному діапазоні продуктивності.
- ▶ **Не використовуйте електроінструмент із пошкодженням вимикачем.** Електроінструмент, який неможливо вмикати або вимикати, є небезпечним і підлягає ремонту.
- ▶ **Перш ніж розпочинати налаштування інструмента, виконувати заміну приладдя або робити перерву в роботі, не забудьте вийняти штепсельну вилку з розетки та/або вийняти з інструмента змінну акумуляторну батарею.** Такий запобіжний захід допоможе уникнути випадкового вмикання електроінструмента.
- ▶ **Електроінструменти, що не використовуються, зберігайте в недоступному для дітей місці. Не дозволяйте користуватися інструментом особам, які не ознайомлені з ним або не прочитали ці вказівки.** У руках недосвідчених людей електроінструменти являють собою серйозну небезпеку.
- ▶ **Електроінструменти та їх приладдя потребують дбайливого догляду. Ретельно перевіряйте, чи бездоганно працюють та чи не заклинюють рухомі частини, чи не зламалися або не зазнали інших пошкоджень деталі, від яких залежить справна робота електроінструмента. Перед початком роботи з інструментом пошкоджені деталі слід відремонтувати.** Багатьох нещасних випадків можна уникнути за умови належного технічного обслуговування електроінструментів.
- ▶ **Слідкуйте за тим, щоб ріжучі інструменти завжди залишалися чистими та належним чином заточеними.** Дбайливо доглянутий ріжучий інструмент із гострими різальними кромками не так часто заклинюється, і з ним легше працювати.
- ▶ **Під час експлуатації електроінструмента, приладдя до нього, робочих інструментів тощо дотримуйтеся наведених у цьому документі вказівок. При цьому завжди враховуйте умови в місці виконання робіт та дії, яких вимагає поставлене завдання.** Використання електроінструментів не за призначенням може призвести до виникнення небезпечних ситуацій.
- ▶ **Слідкуйте за тим, щоб поверхні рукояток були чистими та сухими, та не допускайте їхнього забруднення мастилом.** Якщо поверхні рукояток слизькі, це унеможливує впевнене контролювання електроінструмента у непередбачених ситуаціях.

Використання акумуляторного інструмента та належний догляд за ним

- ▶ **Для заряджання акумуляторних батарей застосовуйте лише зарядні пристрої, рекомендовані виробником.** Зарядний пристрій, придатний для заряджання акумуляторних батарей певного типу, може спричинити пожежу, якщо його застосовувати для заряджання акумуляторних батарей інших типів.
- ▶ **Для живлення електроінструментів застосовуйте лише спеціально призначені для цього акумуляторні батареї.** Застосування інших акумуляторних батарей може призвести до отримання травм і виникнення пожежі.
- ▶ **Акумуляторну батарею, яка не використовується, тримайте подалі від канцелярських скріпок, монет, ключів, цвяхів, гвинтів та інших дрібних металевих предметів, які могли б спричинити коротке замикання її контактів.** Коротке замикання контактів акумуляторної батареї може призвести до отримання опіків або до виникнення пожежі.



- ▶ У разі неправильного застосування з акумуляторної батареї може пролитися рідина. Уникайте контакту з нею. У разі випадкового контакту цієї рідини зі шкірою негайно промийте уражене місце достатньою кількістю води. Якщо рідина потрапила в очі, рекомендується додатково звернутися по лікарську допомогу. Пролита з акумуляторної батареї рідина може призвести до подразнення шкіри або отримання опіків.
- ▶ Не використовуйте акумуляторну батарею, якщо вона пошкоджена або якщо її конструкція була змінена. Пошкоджені або модифіковані акумуляторні батареї вкрай ненадійні та становлять небезпеку пожежі, вибуху або травмування.
- ▶ Не піддавайте акумуляторну батарею впливу вогню або високих температур. Вогонь або температури понад 130 °C (265 °F) можуть спричинити вибух.
- ▶ Дотримуйтеся вказівок щодо заряджання. Ніколи не заряджайте акумуляторну батарею або акумуляторний інструмент в умовах, що виходять за межі температурного діапазону, зазначеного в інструкції з експлуатації. Неналежне заряджання або заряджання за межами зазначеного температурного діапазону може призвести до руйнування акумуляторної батареї та підвищує ризик займання.

Сервісне обслуговування

- ▶ Доручайте ремонт електроінструмента лише кваліфікованому персоналу зі спеціальною підготовкою за умови використання тільки оригінальних запасних частин. Це забезпечить функціональність інструмента.
- ▶ Забороняється здійснювати технічне обслуговування пошкоджених акумуляторних батарей. У будь-яких випадках технічне обслуговування акумуляторних батарей повинен здійснювати виробник або уповноважена служба технічного обслуговування.

2.2 Указівки з техніки безпеки під час роботи зі звичайним шурупокрутом та ударним шурупокрутом

- ▶ Тримайте електроінструмент за ізольовані поверхні рукояток, оскільки під час роботи гвинт може натрапити на приховані електричні кабелі. У разі контакту гвинта з електричним дротом, який перебуває під напругою, металеві деталі інструмента також потраплять під напругу, а це може призвести до ураження користувача електричним струмом.

2.3 Додаткові вказівки з техніки безпеки, що мають застосовуватися під час використання шурупокрута

Безпека персоналу

- ▶ Користуйтеся лише повністю справним інструментом.
- ▶ Вносити будь-які зміни до конструкції інструмента заборонено.
- ▶ Використовуйте додаткові рукоятки, що входять до комплекту постачання інструмента. Втрата контролю над інструментом може стати причиною травмування.
- ▶ Завжди міцно тримайте інструмент обома руками за передбачені для цього рукоятки. Слідкуйте за тим, щоб рукоятки були сухими та чистими.
- ▶ Уникайте контакту з деталями інструмента, що обертаються. Існує ризик отримання травм!
- ▶ Під час роботи з інструментом використовуйте захисні окуляри, шолом, навушники, робочі рукавиці та легкий респіратор.
- ▶ Під час заміни змінного робочого інструмента також користуйтеся захисними рукавицями. Контакт зі змінним робочим інструментом може призвести до отримання порізів або опіків.
- ▶ Використовуйте захисні окуляри. Уламки матеріалу можуть завдати поранень або пошкодити очі.
- ▶ Перш ніж розпочинати роботу, з'ясуйте клас небезпеки пилу, що при цьому буде утворюватися. Використовуйте будівельний пиლოსос затвердженого класу захисту, що відповідає місцевим вимогам щодо захисту від пилу. Пил, що містить такі матеріали, як фарби із вмістом свинцю, тирсу деяких порід деревини, бетон, цеглу, кварцові гірські породи і мінерали, а також метал, може бути шкідливим для здоров'я.
- ▶ Подбайте про належну вентиляцію робочого місця та користуйтеся респіратором, який підходить до матеріалу, що обробляється. У разі контакту з таким пилом або при його вдиханні у користувача електроінструмента та у людей, що знаходяться поруч, можуть виникнути алергічні реакції та/або захворювання дихальних шляхів. Деякі різновиди пилу, наприклад деревини дуба і бука, вважаються канцерогенними, особливо у поєднанні з речовинами для обробки деревини (хроматом, засобами для захисту деревини). До обробки матеріалів, що містять азбест, допускаються лише фахівці зі спеціальною підготовкою.



- ▶ Працюйте з перервами та виконуйте вправи на розминання пальців, щоб покращити кровообіг у них. Під час довготривалих робіт вібрація може пошкодити судини або нерви у пальцях, руках або зап'ясткових суглобах.

Електрична безпека

- ▶ Перед початком роботи перевіряйте робоче місце на наявність прихованих електричних кабелів, газових та водопровідних труб. Якщо Ви під час роботи випадково пошкодите електричні кабелі, контакт з відкритими металевими деталями інструмента може спричинити ураження електричним струмом.

Належне використання електроінструментів та дбайливий догляд за ними

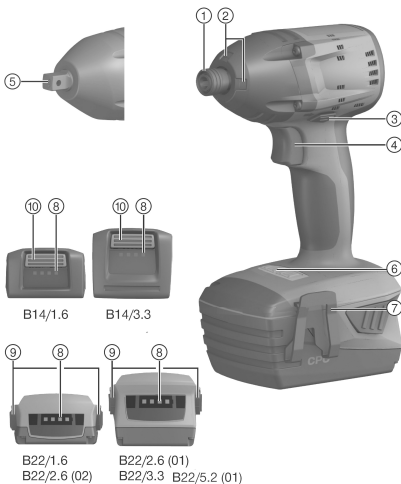
- ▶ Якщо сталося блокування змінного робочого інструмента, негайно вимкніть інструмент. Інструмент може відхилитися вбік.
- ▶ Зачекайте, доки змінний робочий інструмент повністю зупиниться, перш ніж знімати його з оброблюваного об'єкту.

2.4 Застосування акумуляторних батарей та дбайливий догляд за ними

- ▶ Дотримуйтеся також особливих указівок щодо транспортування, складського зберігання та застосування літій-іонних акумуляторних батарей.
- ▶ Не піддавайте акумуляторні батареї впливу високих температур, прямих сонячних променів та відкритого вогню.
- ▶ Акумуляторні батареї забороняється розбирати, роздавлювати, нагрівати до температури понад 80 °C або спалювати.
- ▶ Не використовуйте та не заряджайте акумуляторні батареї, які зазнали впливу ударного навантаження, впали з висоти більше одного метра або були пошкоджені іншим чином. У разі виникнення такої ситуації завжди звертайтеся до **сервісної служби** компанії **Hilti**.
- ▶ Якщо акумуляторна батарея гаряча на дотик, вона може бути пошкоджена. Залиште інструмент у захищеному від вогню місці на достатній відстані від горючих матеріалів, де за ним можна спостерігати, і дайте йому охолонути. У разі виникнення такої ситуації завжди звертайтеся до **сервісної служби** компанії **Hilti**.

3 Опис

3.1 Огляд продукту



- ① Внутрішній шестигранник (SID)
- ② Підсвічування
- ③ Перемикач напрямку обертання за годинниковою стрілкою/проти годинникової стрілки з блокуванням увімкнення
- ④ Вимикач (із електронним регулятором числа обертів)
- ⑤ Зовнішній чотиригранник (SIW)
- ⑥ Перемикач обертового моменту
- ⑦ Поясний гачок (опція)
- ⑧ Індикатор стану заряду акумуляторної батареї
- ⑨ Деблокувальні кнопки (акумуляторна батарея B22/...)
- ⑩ Деблокувальна кнопка (акумуляторна батарея B14/...)



3.2 Використання за призначенням

Описаний у цьому документі інструмент являє собою ручний акумуляторний ударний шурупокрут. Він призначений для загвинчування та розгвинчування гвинтових з'єднань, гайок та болтів з різьбою у деревині, металі, цегляній кладці та бетоні.

Ударний шурупокрут можна використовувати тільки в тому випадку, якщо робота не вимагає встановлення точного/особливого обертового моменту. Інакше існує небезпека зривання різьби, пошкодження гвинта або оброблюваного об'єкта.

- ▶ Використовуйте із цим інструментом лише літій-іонні акумуляторні батареї **Hilti** типу B14 (SID/SIW 14-A) або B22 (SID/SIW 22-A).
- ▶ Для заряджання цих акумуляторних батарей використовуйте тільки зарядні пристрої **Hilti** типу C4/36.

3.3 Індикатор стану заряду

Для перевірки стану заряду літій-іонної акумуляторної батареї необхідно натиснути деблокувальну кнопку (лише до відчутного опору).

Стан	Значення
4 світлодіоди горять.	Стан заряду: від 75 % до 100 %
3 світлодіоди горять.	Стан заряду: від 50 % до 75 %
2 світлодіоди горять.	Стан заряду: від 25 % до 50 %
1 світлодіод горить.	Стан заряду: від 10 % до 25 %
1 світлодіод мигає.	Стан заряду: < 10 %

При натиснутому вимикачі та протягом 5 секунд після його відпускання перевірка стану заряду неможлива.

3.4 Комплект постачання

Ударний шурупокрут, інструкція з експлуатації.

Рекомендовані запасні частини, видаткові матеріали та приладдя для Вашого інструмента Ви можете придбати у найближчому магазині **Hilti Store** або на веб-сайті www.hilti.group | США: www.hilti.com

4 Ударний шурупокрут

	SID 14-A	SIW 14-A
Номінальна напруга	14,4 В	14,4 В
Маса згідно з процедурою EPTA Procedure-01	1,6 кг	1,6 кг
Номінальна частота обертання на холостому ходу	Положення I	0 об/хв ... 1 000 об/хв
	Положення II	0 об/хв ... 1 500 об/хв
	Положення III	0 об/хв ... 2 500 об/хв
Частота ударів	≤ 3 100 удар/хв	≤ 3 400 удар/хв
Регулювання обертового моменту	3 рівні	3 рівні
Великі стандартні гвинти	M8-M16	M8-M16
Великі висококомірні гвинти	M6-M12	M6-M12
Затискний патрон	$\frac{1}{4}$ " внутрішній шестигранник із захисною манжетною	$\frac{1}{2}$ " зовнішній чотиригранник із півсферою або $\frac{3}{8}$ " зовнішній чотиригранник із запобіжним кільцем
Температура навколишнього середовища під час роботи	-17 °C ... 60 °C	-17 °C ... 60 °C
Температура зберігання	-20 °C ... 70 °C	-20 °C ... 70 °C



		SID 22-A	SIW 22-A
Номинальна напруга		21,6 В	21,6 В
Маса згідно з процедурою EPTA Procedure-01		2,1 кг	2,1 кг
Номинальна частота обертання на холостому ході	Положення I	0 об/хв ... 1 000 об/хв	0 об/хв ... 1 000 об/хв
	Положення II	0 об/хв ... 1 500 об/хв	0 об/хв ... 1 500 об/хв
	Положення III	0 об/хв ... 2 500 об/хв	0 об/хв ... 2 300 об/хв
Частота ударів		≤ 3 450 удар/хв	≤ 3 500 удар/хв
Регулювання обертового моменту		3 рівні	3 рівні
Великі стандартні гвинти		M8-M16	M8-M16
Великі високоміцні гвинти		M6-M12	M6-M12
Затискний патрон		1/4" внутрішній шестигранник із захисною манжетною	1/2" зовнішній чотиригранник із півсферою або 3/8" зовнішній чотиригранник із запобіжним кільцем
Температура навколишнього середовища під час роботи		-17 °C ... 60 °C	-17 °C ... 60 °C
Температура зберігання		-20 °C ... 70 °C	-20 °C ... 70 °C

4.1 Дані про шум та значення вібрації, виміряні згідно зі стандартом EN 62841

Наведені у цих рекомендаціях значення звукового тиску та вібрації були виміряні згідно з установленою процедурою вимірювання та можуть використовуватися для порівняння електроінструментів. Вони також придатні для попереднього оцінювання шумового та вібраційного навантаження.

Наведені дані обумовлюють переважні сфери застосування електроінструмента. Однак якщо Ви використовуєте його не за призначенням, застосовуєте нестандартне приладдя або неналежним чином здійснюєте догляд за інструментом, ці дані можуть відрізнятись від вказаних значень. Це може призвести до помітного збільшення шумового та вібраційного навантаження протягом усього робочого часу.

Для більш точної оцінки шумового та вібраційного навантаження необхідно враховувати також проміжки часу, протягом яких інструмент залишається вимкненим або працює на холостому ході. Це може значно зменшити вібраційне та шумове навантаження протягом усього робочого часу.

Необхідно також вживати додаткових заходів безпеки з метою захисту працівників від дії шуму та/або вібрації, зокрема: проводити своєчасне технічне обслуговування електроінструмента та змінних робочих інструментів до нього, утримувати руки у теплі, належним чином організувати робочий процес.

Дані про шум

	SID 14-A	SIW 14-A	SID 22-A	SIW 22-A
Рівень шумової потужності (L_{WA})	94 дБ(A)	94 дБ(A)	97 дБ(A)	97 дБ(A)
Похибка для рівня шумової потужності (K_{WA})	3 дБ(A)	3 дБ(A)	3 дБ(A)	3 дБ(A)
Рівень звукового тиску (L_{PA})	83 дБ(A)	83 дБ(A)	86 дБ(A)	86 дБ(A)
Похибка для рівня звукового тиску (K_{PA})	3 дБ(A)	3 дБ(A)	3 дБ(A)	3 дБ(A)

Сумарне значення вібрації

	SID 14-A	SIW 14-A	SID 22-A	SIW 22-A
Рівень вібрації під час загвинчування гвинтів та гайок максимально допустимого розміру (a_h)	7,5 м/с ²	7,5 м/с ²	11 м/с ²	11 м/с ²
Похибка для загвинчування гвинтів та гайок максимально допустимого розміру	1,5 м/с ²	1,5 м/с ²	1,5 м/с ²	1,5 м/с ²



4.2 Налаштування обертового моменту

Щоб обрати потрібний обертовий момент, установіть перемикач обертового моменту у відповідне положення.

Модель SID ...

SID 14-A

SID 22-A

		Модель	
		SID 14-A	SID 22-A
Обертовий момент	Положення I	50 Н·м	60 Н·м
	Положення II	100 Н·м	110 Н·м
	Положення III	150 Н·м	165 Н·м

Модель SIW ...

SIW 14-A

SIW 22-A

		SIW 14-A	
		1/2" зовнішній чотиригранник із півсферою	3/8" зовнішній чотиригранник із запобіжним кільцем
Обертовий момент	Положення I	80 Н·м	65 Н·м
	Положення II	120 Н·м	115 Н·м
	Положення III	185 Н·м	160 Н·м

		SIW 22-A	
		1/2" зовнішній чотиригранник із півсферою	3/8" зовнішній чотиригранник із запобіжним кільцем
Обертовий момент	Положення I	90 Н·м	75 Н·м
	Положення II	135 Н·м	120 Н·м
	Положення III	200 Н·м	175 Н·м

4.3 Акумуляторна батарея 14,4 В

Робоча напруга акумуляторної батареї	14,4 В
Температура навколишнього середовища	-10 °C ... 60 °C
Температура зберігання	-20 °C ... 40 °C

4.4 Акумуляторна батарея 21,6 В

Робоча напруга акумуляторної батареї	21,6 В
Температура навколишнього середовища	-17 °C ... 60 °C
Температура зберігання	-20 °C ... 40 °C

5 Підготовка до роботи

ОБЕРЕЖНО

Ризик отримання травм внаслідок непередбаченого увімкнення інструмента!

- ▶ Перш ніж установлювати акумуляторну батарею, переконайтеся, що відповідний інструмент вимкнений.
- ▶ Від'єднайте акумуляторну батарею, перш ніж задавати налаштування інструмента або замінити приладдя.

Дотримуйтеся попереджувальних вказівок та вказівок з техніки безпеки, наведених у цьому документі та на корпусі інструмента.



5.1 Зарядження акумуляторної батареї

1. Перед зарядженням акумуляторної батареї прочитайте інструкцію з експлуатації зарядного пристрою.
2. Контакти акумуляторної батареї та зарядного пристрою повинні бути чистими та сухими.
3. Заряджайте акумуляторну батарею тільки за допомогою тих зарядних пристроїв, які допущені до застосування з нею.

5.2 Установлення акумуляторної батареї

ОБЕРЕЖНО

Ризик отримання травм внаслідок короткого замикання або падіння акумуляторної батареї!

- ▶ Перш ніж установлювати акумуляторну батарею, переконайтеся, що на контактах батареї та інструмента немає сторонніх предметів.
 - ▶ Завжди перевіряйте, щоб акумуляторна батарея була правильно зафіксована.
1. Перед першим використанням акумуляторну батарею слід повністю зарядити.
 2. Уставте акумуляторну батарею у тримач інструменті таким чином, щоб вона зафіксувалася із чітким характерним звуком.
 3. Переконайтеся, що акумуляторна батарея надійно зафіксована в інструменті.

5.3 Виймання акумуляторної батареї


1. Натисніть на деблокувальні кнопки акумуляторної батареї.
2. Дістаньте акумуляторну батарею з інструмента.

5.4 Установлення поясного гачка (опція)

ПОПЕРЕДЖЕННЯ

Небезпека отримання травм. Небезпека падіння інструмента.

- ▶ Падіння інструмента може становити небезпеку для Вас та інших осіб. Перш ніж розпочинати роботу, перевірте, чи надійно закріплений поясний гачок.

 За допомогою поясного гачка інструмент можна зручно носити на поясі. Поясний гачок підходить для встановлення як з правого, так і з лівого боку.

1. Вийміть акумуляторну батарею. → стор. 164
2. Уставте поясний гачок у передбачений для нього отвір в основі шурупокрута.
3. Закріпіть поясний гачок за допомогою 2 гвинтів.

5.5 Установлення змінного робочого інструмента

SID 14-A
SID 22-A

1. Переконайтеся, що хвостовик змінного робочого інструмента чистий.
 - ▶ За необхідності прочистіть хвостовик.
2. Переведіть перемикач напряму обертання за годинниковою стрілкою/проти годинникової стрілки в середнє положення або від'єднайте акумуляторну батарею від інструмента.
3. Установіть змінний робочий інструмент до упору у затискний патрон, щоб він зафіксувався.
4. Перш ніж починати експлуатацію інструмента, переконайтеся, що змінний робочий інструмент надійно закріплений.



5.6 Установлення змінного робочого інструмента 4

SIW 14-A
SIW 22-A

1. Переконайтеся, що хвостик змінного робочого інструмента чистий.
 - ▶ За необхідності прочистіть хвостик.
2. Переведіть перемикач напрямку обертання за годинниковою стрілкою/проти годинникової стрілки в середнє положення або від'єднайте акумуляторну батарею від інструмента.
3. Узгодьте боковий отвір на змінному робочому інструменті з півсферою на затискному патроні.
4. Натисніть на змінний робочий інструмент, щоб його зафіксувати.
5. Перш ніж починати експлуатацію інструмента, переконайтеся, що змінний робочий інструмент надійно закріплений.

5.7 Установлення змінного робочого інструмента 5

SIW 22-A

ОБЕРЕЖНО

Небезпека отримання травм через використання неналежного змінного робочого інструмента!

- ▶ Використовуйте тільки ті змінні робочі інструменти, що оснащені фіксаторами.
- ▶ Не використовуйте зношені або пошкоджені змінні робочі інструменти.

1. Переведіть перемикач напрямку обертання за годинниковою стрілкою/проти годинникової стрілки в середнє положення або від'єднайте акумуляторну батарею від інструмента.
2. Дістаньте ущільнювальне кільце з прорізу на затискній втулці.
3. Витягніть запобіжний штифт.
4. Установіть затискну втулку на приводний чотиригранник інструмента.



Слідкуйте за тим, щоб отвори запобіжного штифта співпадали з отворами на приводному чотириграннику та на затискній втулці.

5. Уставте запобіжний штифт у затискну втулку.
6. Уставте ущільнювальне кільце у затискну втулку.
7. Перш ніж починати експлуатацію інструмента, переконайтеся, що змінний робочий інструмент надійно закріплений.

6 Експлуатація

Дотримуйтеся попереджувальних вказівок та вказівок з техніки безпеки, наведених у цьому документі та на корпусі інструмента.

6.1 Установлення обертового моменту 6

- ▶ Натискайте на перемикач обертового моменту, доки зліва від нього не буде відображений потрібний рівень обертового моменту.

SID 14-A
SID 22-A

Модель SID ... → стор. 163

SIW 14-A
SIW 22-A

Модель SIW ... → стор. 163

6.2 Налаштування обертання за годинниковою стрілкою/проти годинникової стрілки 7



Блокувальний пристрій не дозволяє перемикати напрям обертання під час роботи двигуна. У середньому положенні перемикач заблокований (функція блокування увімкнена).

- ▶ Установіть перемикач напрямку обертання за годинниковою стрілкою/проти годинникової стрілки у потрібне положення.



6.3 Увімкнення

- ▶ Натисніть на вимикач інструмента.
 - ▶ Від сили натискання залежить частота обертання.

6.4 Загвинчування

ОБЕРЕЖНО

Ризик отримання травм внаслідок пошкодження оброблюваного об'єкта! Застосування надвисокого обертового моменту може пошкодити гвинти або оброблюваний об'єкт. Це в свою чергу може спричинити травми.

- ▶ Переконайтеся, що гвинти та оброблюваний об'єкт розраховані на обертовий момент, який розвиває цей інструмент.

1. Переведіть перемикач напряму обертання за годинниковою стрілкою/проти годинникової стрілки в середнє положення або від'єднайте акумуляторну батарею від інструмента.
2. Установіть потрібний рівень обертового моменту за допомогою перемикача обертового моменту.
→ стор. 165

6.5 Вимикання інструмента

- ▶ Відпустіть вимикач.

6.6 Змінення змінного робочого інструмента

SID 14-A
SID 22-A

ОБЕРЕЖНО

Ризик отримання травм внаслідок контакту зі змінним робочим інструментом! Змінний робочий інструмент може бути гарячим, а його кромки – гострими.

- ▶ Під час експлуатації інструмента та під час заміни робочого інструмента користуйтеся захисними рукавицями.

1. Переведіть перемикач напряму обертання за годинниковою стрілкою/проти годинникової стрілки в середнє положення або від'єднайте акумуляторну батарею від інструмента.
2. Потягніть кільце затискного патрона вперед, міцно його утримуючи.
3. Дістаньте змінний робочий інструмент із затискного патрона.
4. Відпустіть кільце затискного патрона.

6.7 Змінення змінного робочого інструмента

SIW 14-A
SIW 22-A

ОБЕРЕЖНО

Ризик отримання травм внаслідок контакту зі змінним робочим інструментом! Змінний робочий інструмент може бути гарячим, а його кромки – гострими.

- ▶ Під час експлуатації інструмента та під час заміни робочого інструмента користуйтеся захисними рукавицями.

1. Переведіть перемикач напряму обертання за годинниковою стрілкою/проти годинникової стрілки в середнє положення або від'єднайте акумуляторну батарею від інструмента.
2. Дістаньте змінний робочий інструмент із затискного патрона.



6.8 Знімання змінного робочого інструмента

SIW 22-A

1. Переведіть перемикач напряму обертання за годинниковою стрілкою/проти годинникової стрілки в середнє положення або від'єднайте акумуляторну батарею від інструмента.
2. Дістаньте ущільнювальне кільце з прорізу на затискній втулці.
3. Витягніть запобіжний штифт.
4. Зніміть затискну втулку з приводного чотиригранника інструмента.
5. Установіть запобіжний штифт.
6. Установіть ущільнювальне кільце для фіксації у затискній втулці.

7 Догляд і технічне обслуговування

ПОПЕРЕДЖЕННЯ

Небезпека травмування під час виконання робіт на інструменті з установленою акумуляторною батареєю !

- ▶ Завжди діставайте з інструмента акумуляторну батарею, перш ніж розпочинати будь-які роботи з догляду та технічного обслуговування!

Догляд за інструментом

- Обережно видаляйте накопичення бруду.
- Обережно прочищайте вентиляційні прорізи сухою щіткою.
- Протирайте корпус вологою тканиною. Забороняється використовувати миючі засоби, що містять силікон, оскільки вони можуть пошкодити пластмасові деталі.

Догляд за літій-іонними акумуляторними батареями

- Тримайте акумуляторну батарею у чистоті, не допускайте її забруднення мастильними матеріалами.
- Протирайте корпус вологою тканиною. Забороняється використовувати миючі засоби, що містять силікон, оскільки вони можуть пошкодити пластмасові деталі.
- Уникайте потрапляння вологи всередину інструмента.

Технічне обслуговування

- Регулярно перевіряйте усі зовнішні частини на наявність пошкоджень, а органи керування інструмента – на предмет справної роботи.
- Якщо Ви виявили пошкодження та/або порушення функціональності інструмента, припиніть його використання. Негайно зверніться до сервісної служби компанії **Hilti** для здійснення ремонту.
- Після проведення догляду і технічного обслуговування встановіть усі захисні пристрої та перевірте їхню роботу.



Щоб гарантувати належну роботу інструмента, використовуйте тільки оригінальні запасні частини та видаткові матеріали. Рекомендовані запасні частини, видаткові матеріали та приладдя для Вашого інструмента Ви можете придбати у найближчому магазині **Hilti Store** або на веб-сайті www.hilti.group.

8 Транспортування і зберігання акумуляторних інструментів

Транспортування

ОБЕРЕЖНО

Непередбачене увімкнення інструмента під час транспортування !

- ▶ На час транспортування завжди діставайте з інструмента акумуляторну батарею!
- ▶ Вийміть акумуляторні батареї.
- ▶ Не слід перевозити акумуляторні батареї у незапакованому вигляді.
- ▶ Перш ніж використовувати інструмент та акумуляторні батареї після дальніх перевезень, їх слід перевірити на наявність пошкоджень.



Зберігання



ОБЕРЕЖНО

Непередбачене пошкодження інструмента через несправність акумуляторної батареї або через виток електроліту з акумуляторної батареї !

- ▶ На час зберігання завжди діставайте з інструмента акумуляторну батарею!
- ▶ Зберігайте інструмент та акумуляторні батареї у якомога більш прохолодному та сухому місці.
- ▶ Забороняється зберігати акумуляторні батареї на сонці, на опалювальних приладах або на підвіконні.
- ▶ Зберігайте інструмент та акумуляторні батареї у сухому місці, недоступному для дітей та сторонніх осіб.
- ▶ Перш ніж використовувати інструмент та акумуляторні батареї після довгого зберігання, їх слід перевірити на наявність пошкоджень.

9 Допомога у разі виникнення несправностей

У разі виникнення несправностей, які не зазначені у цій таблиці або які Ви не можете полагодити самостійно, зверніться до сервісної служби компанії **Hilti**.

9.1 Допомога у разі виникнення несправностей

Несправність	Можлива причина	Рішення
Інструмент не працює.	Акумуляторна батарея встановлена в інструмент не до кінця.	▶ Установіть акумуляторну батарею. → стор. 164
	Акумуляторна батарея розряджена.	▶ Зарядіть акумуляторну батарею. → стор. 164
Вимикач неможливо натиснути, або він заблокований.	Перемикач напряму обертання за годинниковою стрілкою/проти годинникової стрілки знаходиться у середньому положенні.	▶ Налаштуйте перемикач напряму обертання за годинниковою стрілкою/проти годинникової стрілки. → стор. 165
Частота обертання несподівано швидко зменшується.	Акумуляторна батарея розряджена.	▶ Зарядіть акумуляторну батарею. → стор. 164
Акумуляторна батарея розряджається швидше, ніж звичайно.	Занадто низька температура навколишнього середовища.	▶ Зачекайте, доки акумуляторна батарея повільно нагріється до кімнатної температури.
Акумуляторна батарея не зафіксується із чітко відчутним подвійним клацанням.	Фіксатори акумуляторної батареї засмічені.	▶ Прочистіть зачіпки фіксаторів та встановіть акумуляторну батарею. Якщо несправність не вдалося усунути, зверніться до сервісної служби компанії Hilti .
Інструмент або його акумуляторна батарея сильно перегріваються.	Електрична несправність.	▶ негайно вимкніть інструмент, дістаньте акумуляторну батарею, поспостерігайте за нею, дайте їй охолонути, після чого зверніться до сервісного центру компанії Hilti .
	Інструмент перенавантажений (перевищено максимально припустиме навантаження).	▶ Оберіть інструмент, який підходить до виконуваної роботи.

10 Утилізація

Більшість матеріалів, з яких виготовлено інструменти компанії **Hilti**, придатні для вторинної переробки. Передумовою для їхньої вторинної переробки є належне сортування відходів за типом матеріалу. У багатьох країнах світу компанія **Hilti** приймає старі інструменти для їхньої утилізації. Щоб отримати додаткову інформацію з цього питання, звертайтеся до сервісної служби компанії **Hilti** або до свого торгового консультанта.



Утилізація акумуляторних батарей

У разі неналежної утилізації акумуляторних батарей з них можуть виходити небезпечні для здоров'я газу або рідини.

- ▶ Пошкоджені акумуляторні батареї забороняється пересилати поштою або кур'єрською службою!
- ▶ Закрийте контакти акумуляторних батарей електронепровідним матеріалом, щоб запобігти короткому замиканню.
- ▶ Утилізуйте акумуляторні батареї таким чином, щоб вони не потрапили до рук дітей.
- ▶ Щоб утилізувати акумуляторну батарею, передайте її до найближчого магазину **Hilti Store** або зверніться до представника відповідної компанії з утилізації відходів.



- ▶ Не викидайте електроінструменти, електронні пристрої та акумуляторні батареї у баки для побутового сміття!

11 RoHS (директива КНР про обмеження використання небезпечних речовин)

Щоб переглянути таблицю з інформацією про небезпечні речовини, будь ласка, перейдіть за наступними посиланнями: qr.hilti.com/r4923, qr.hilti.com/r4922, qr.hilti.com/r4927 та qr.hilti.com/r4926.

Посилання на таблицю з інформацією про речовини, включені до директиви RoHS, наведено наприкінці цього документа у вигляді QR-коду.

12 Гарантійні зобов'язання виробника

- ▶ Із питань гарантії, будь ласка, звертайтеся до Вашого місцевого партнера компанії **Hilti**.

Түпнұсқа пайдалану бойынша нұсқаулық

1 Құжаттама бойынша деректер

1.1 Бұл құжаттама туралы



Импорттауыш және өндірушінің өкілетті ұйымы

- (RU) Ресей Федерациясы
"Хилти Дистрибьюшн ЛТД" АҚ, 141402, Мәскеу облысы, Химки қ., Ленинградская көш., ғим. 25
- (BY) Беларусь Республикасы
222750, Минск облысы, Дзержинский ауданы, Р-1, 18-ші км, 2 (Слободка ауылының жанында), 1-34 бөлімі
- (KZ) Қазақстан Республикасы
Қазақстан Республикасы, индекс 050011, Алматы қ., Пугачев көш., 4-үй
- (KG) Қырғыз Республикасы
"Т AND Т" ЖШҚ, 720021, Қырғызстан, Бішкек қ., Ибраимов көш., 29 А үйі
- (AM) Армения Республикасы
Эйч-Кон ЖШҚ, Армения Республикасы, Ереван қ., Бабаян көш., 10/1 үйі

Өндірілген елі: жабдықтағы белгілеу тақтайшасын қараңыз.

Өндірілген күні: жабдықтағы белгілеу тақтайшасын қараңыз.

Тіксті сертификатты мына мекенжай бойынша табуға болады: www.hilti.ru

Сақтау, тасымалдау және пайдалану шарттарына пайдалану бойынша нұсқаулықта белгіленгеннен басқа арнайы талаптар қойылмайды.

Өнімнің қызмет ету мерзімі 5 жыл.

- Іске қосу алдында осы құжаттаманы оқып шығыңыз. Бұл қауіпсіз жұмыс пен ақаусыз басқару үшін алғышарт болып табылады.
- Осы құжаттамадағы және өнімдегі қауіпсіздік және ескерту нұсқауларын орындаңыз.
- Пайдалану бойынша нұсқаулықты әрдайым өнімде сақтаңыз және оны басқа тұлғаларға тек осы нұсқаулықпен бірге тапсырыңыз.



1.2 Шартты белгілердің анықтамасы

1.2.1 Ескерту

Ескертулер өнімді қолдану барысындағы қауіптер туралы ескертеді. Төмендегі сигналдық сөздер пайдаланылады:



ҚАУІПТІ

ҚАУІПТІ !

- ▶ Ауыр жарақаттарға әкелетін немесе өмірге қауіп төндіретін тікелей қауіпті жағдайдың жалпы белгіленуі.



ЕСКЕРТУ

ЕСКЕРТУ !

- ▶ Ауыр жарақаттарға әкелуі немесе өмірге қауіп төндіруі мүмкін ықтимал қауіпті жағдайдың жалпы белгіленуі.



АБАЙЛАҢЫЗ

АБАЙЛАҢЫЗ !

- ▶ Жеңіл жарақаттарға немесе аспаптың зақымдалуына әкелуі мүмкін ықтимал қауіпті жағдайдың жалпы белгіленуі.

1.2.2 Құжаттамадағы белгілер

Бұл құжаттамада төмендегі белгілер пайдаланылады:



Пайдалану алдында пайдалану бойынша нұсқаулықты оқу қажет



Аспапты пайдалану бойынша нұсқаулар және басқа пайдалы ақпарат



Қайта пайдалануға болатын материалдармен жұмыс істеу



Электр аспаптарды және аккумуляторларды тұрмыстық қоқысқа тастамаңыз

1.2.3 Суреттердегі белгілер

Суреттерде төмендегі белгілер қолданылады:



Бұл сандар осы нұсқаулықтың басындағы әр суретке сәйкес келеді



Нөмірлеу суреттегі жұмыс қадамдарының реттілігін білдіреді және мәтіндегі жұмыс қадамдарынан өзгешеленуі мүмкін



Позиция нөмірлері **Шолу** суретінде қолданылады және **Өнімге шолу** мақаласындағы шартты белгілердің нөмірлеріне сілтейді



Аталмыш белгілер өнімді қолдану барысында айрықша назарыңызды аудартады.

1.3 Өнімге қатысты белгілер

1.3.1 Өнімдегі белгілер

Өнімде төмендегі белгілер пайдаланылуы мүмкін:



Соққысыз бұрғылау



Соққымен бұрғылау

/min

Айналым/минут

n_0

Жүктемесіз номиналды айналу жиілігі



	Тұрақты ток
Li-Ion	Литий-иондық аккумулятор
	Пайдаланылған Hilti литий-ион аккумуляторларының сериясы. Қолдану мақсаты бөліміндеі нұсқауларды орындаңыз.
	Құрылғы iOS және Android платформаларымен үйлесімді NFC технологиясын қолдайды.
	Аккумуляторды еш жағдайда соқпа құрал ретінде пайдаланбаңыз.
	Аккумуляторды құлатып жібермеңіз. Соққы тиген немесе басқа жолмен зақымдалған аккумуляторды пайдаланбаңыз.

1.4 Өнім туралы ақпарат

Hilti өнімдері кәсіби пайдаланушыларға арналған және оларды тек қана өкілетті, білікті қызметкерлер пайдалануы, күтім және техникалық қызмет көрсетуі тиіс. Қызметкерлер қауіпсіздік техникасы бойынша арнайы нұсқау алуы керек. Өнім мен оның қосалқы құралдарын басқа мақсатта қолдану немесе олардың оқытылмаған қызметкерлердің тарапынан пайдаланылуы қауіпті.

Түр сипаттамасы мен сериялық нөмір фирмалық тақтайшада берілген.

- Сериялық нөмірді төмендегі кестеге көшіріп қойыңыз. Өнім туралы мәліметтерді өкілдігімізге немесе қызмет көрсету бөлімімізге сұрау беру арқылы алуға болады.

Өнім туралы мәліметтер

Аккумуляторлық бұрауыш	SID 14-A, SID 22-A
Аккумуляторлық гайка бұрауыш	SIW 14-A, SIW 22-A
Буын:	01
Сериялық нөмір:	

1.5 Сәйкестілік декларациясы

Біз осы нұсқаулықта сипатталған өнімнің қолданыстағы директивалар мен нормативтерге сәйкес келетінін толық жауапкершілікпен жариялаймыз. Сәйкестілік декларациясының суреті осы құжаттамаңыз соңында орналасқан.

Техникалық құжаттама мына жерде сақталған:

Hilti Entwicklungsgesellschaft mbH | Zulassung Geräte | Hiltistraße 6 | 86916 Kaufering, DE

2 Қауіпсіздік

2.1 Электр құралдары үшін қауіпсіздік техникасы бойынша жалпы нұсқаулар

⚠ ЕСКЕРТУ Бұл электр құралына арналған барлық қауіпсіздік нұсқауларын, нұсқауларды, суреттерді және техникалық деректерді оқып шығыңыз. Төменде берілген нұсқауларды орындамау электр тогының соғуына, өртке әкелуі мүмкін және/немесе ауыр жарақаттарды тудыруы мүмкін.

Қауіпсіздік техникасы бойынша барлық нұсқауларды және нұсқауларды келесі пайдаланушы үшін сақтаңыз.

Қауіпсіздік нұсқауларында қолданылатын «электр құралы» термині электр желісінен (желілік кабельмен) және аккумулятордан (желілік кабельсіз) жұмыс істейтін электр құралын білдіреді.

Жұмыс орны

- **Жұмыс орнындағы тазалықты және тәртіпті қадағалаңыз.** Жұмыс орнындағы ретсіздік және нашар жарық сәтсіз жағдайларға әкелуі мүмкін.
- **Жанғыш сұйықтықтар, газдар немесе шаң бар жарылыс қаупі бар аймақта электр құралын қолданбаңыз.** Жұмыс кезінде электр құралдары ұшқындар шығады және ұшқындар шаңды немесе буларды тұтандыруы мүмкін.
- **Балалардың және бөгде адамдардың жұмыс істеп тұрған электр құралына жақындауына рұқсат етпеңіз.** Жұмысқа көңіл бөлмегенде, электр құралын бақылау жоғалуы мүмкін.

Электр қауіпсіздігі

- **Электр құралдың байланыс ашасы электр желісінің розеткасына сай болуы керек. Айырдың конструкциясын өзгертпеңіз. Қорғауыш жерге қосуы бар электр құралдарымен бірге өтпелі**



айырларды қолданбаңыз. Түпнұсқа айырлар және оларға сай розеткалар электр тогының соғу қаупін азайтады.

- ▶ **Жерге қосылған беттерге, мысалы, құбырларға, жылыту құралдарына, пештерге (плиталарға) және тоңазытқыштарға тікелей тиюді болдырмаңыз.** Жерге қосылған заттарға тигенде электр тогының соғуының үлкен қаупі туындайды.
- ▶ **Электр құралдарды жаңбырдан немесе ылғал әсерінен сақтаңыз.** Электр құралға су тиюі нәтижесінде электр тогының соғу қаупі артады.
- ▶ **Байланыс сымын басқа мақсатта қолданбаңыз, мысалы, электр құралды тасымалдау, оны іліп қою немесе электр желісінің розеткасынан айырды шығару үшін.** Байланыс сымын жылу, май, өткір жиектер немесе жылжымалы бөліктерден алшақ ұстаңыз. Байланыс сымының зақымдалуы немесе қабаттасуы нәтижесінде электр тогының соғу қаупі артады.
- ▶ **Егер жұмыстар ашық ауада орындалса, тек бөлмелерден тыс қолдануға рұқсат етілген ұзартқыш сымдарды пайдаланыңыз.** Бөлмелерден тыс қолдануға жарамды ұзартқыш сымды пайдалану электр тогының соғу қаупін азайтады.
- ▶ **Егер электр құралмен ылғалдылық жағдайларында жұмыс істеуді болдырмау мүмкін емес болса, шығып кететін токтан қорғау автоматын қолданыңыз.** Шығып кететін токтан қорғау автоматын қолдану электр тогының соғу қаупін азайтады.

Адамдардың қауіпсіздігі

- ▶ **Ұқыпты болыңыз, әрекеттеріңізге көңіл бөліңіз және электр құралымен жұмыс істеуге дұрыс қараңыз.** Шаршаған кезде немесе есіртік, алкоголь не дәрі қабылдаған соң электр құралын қолданбаңыз. Электр құралын қолданған кездегі зейінсіздік ауыр жарақаттарға апарып соғуы мүмкін.
- ▶ **Жеке қорғану құралдарын пайдаланыңыз және әрқашан міндетті түрде қорғауыш көзділдірікті киіңіз.** Электр құралының түріне және пайдалану жағдайларына байланысты жеке қорғану құралдарын, мысалы, шаңнан қорғайтын респираторды, сырғымайтын аяқ киімді, қорғауыш шлемді, естуді қорғау құралдарын қолдану жарақаттану қаупін азайтады.
- ▶ **Электр құралының кездейсоқ қосылуын болдырмаңыз.** Электр қуатына қосу және/немесе аккумуляторды қою, көтеру немесе тасымалдау алдында электр құралы өшірілгеніне көз жеткізіңіз. Электр құралын тасымалдағанда саусақтар сөндіргіште болатын немесе қосылған электр құралы желіге қосылатын жағдайлар сәтсіз жағдайларға әкелуі мүмкін.
- ▶ **Электр құралын қосу алдында реттеуші құрылғыларды және гайка кілтин алыңыз.** Электр құралының айналатын бөлігіндегі аспап немесе кілт жарақаттарға әкелуі мүмкін.
- ▶ **Жұмыс кезінде ыңғайсыз қалыптарға тұрмауға тырысыңыз. Үнемі тұрақты күйді және тепе-теңдікті сақтаңыз.** Бұл күтпеген жағдайларда электр құралын жақсырақ басқаруға мүмкіндік береді.
- ▶ **Арнайы киімді киіңіз. Өте бос киімді немесе өшекейлерді кимеңіз. Шашты, киімді және қолғапты электр құралының айналатын түйіндерінен сақтаңыз.** Бос киім, өшекейлер және ұзын шал оларға ілінуі мүмкін.
- ▶ **Егер шаңды жинау және кетіруге арналған құрылғыларды қосу қарастырылған болса, олар қосылғанына және мақсаты бойынша қолданылып жатқанына көз жеткізіңіз.** Шаңды кетіру модулін пайдалану шаңның зиянды әсерін азайтады.
- ▶ **Өз мойныңызға қате қауіпсіздік сезімін алмаңыз және электр құралына арналған қауіпсіздік ережелерін бұзбаңыз, тіпті электр құралын жиі қолданатын тәжірибелі пайдаланушы болсаңыз.** Мұқиятсыз қолдану бірнеше секундта ауыр жарақаттануға апарып соғуы мүмкін.

Электр құралын қолдану және оған қызмет көрсету

- ▶ **Аспапқа шамадан тыс жүктеме түсуін болдырмаңыз.** Нақ осы жұмысқа арналған электр құралын қолданыңыз. Бұл ережені сақтау көрсетілген қуат диапазонында жоғарырақ жұмыс сапасын және қауіпсіздігін қамтамасыз етеді.
- ▶ **Сөндіргіші бұзылған электр құралын қолданбаңыз.** Қосу немесе өшіру қиын электр құралы қауіпті және оны жөндеу керек.
- ▶ **Электр құралын реттеуге, саймандарды ауыстыруға кірісу алдында немесе жұмыстағы үзіліс алдында розеткадан ашаны және/немесе электр құралынан алмалы-салмалы аккумуляторды шығарыңыз.** Бұл сақтық шарасы электр құралының кездейсоқ қосылуын болдырмайды.
- ▶ **Қолданылмайтын электр құралдарын балалар жетпейтін жерде сақтаңыз.** Аспаппен таныс емес немесе осы нұсқауларды оқып шықпаған адамдарға аспапты пайдалануға рұқсат бермеңіз. Электр құралдары тәжірибесі жоқ пайдаланушылардың қолында қауіпті болады.
- ▶ **Электр құралдары мен керек-жарақтарға ұқыпты қараңыз.** Айналмалы бөліктердің мүлтіксіз қызмет ететінін, олардың жүрісінің жеңілдігін, барлық бөліктердің тұтастығын және электр құралының жұмысына теріс әсер етуі мүмкін зақымдардың жоқтығын тексеріңіз. Аспаптың



зақымдалған бөліктерін оны қолдану алдында жөндеуге өткізіңіз. Электр құралына техникалық қызмет көрсету ережелерін сақтамау көп сәтсіз жағдайлардың себебі болып табылады.

- ▶ **Кескіш аспаптардың үшкір және таза болуын қадағалау керек.** Жұмыс күйінде сақталатын кескіш аспаптардың сыналануы сиректеу болады, оларды басқару жеңілдеу.
- ▶ **Электр құралын, саймандарды, көмекші құрылғыларды және т.б. нұсқауларға сай пайдаланыңыз.** Бұл кезде жұмыс жағдайларын және орындалатын жұмыстың сипатын ескеріңіз. Электр құралдарын басқа мақсаттарда қолдану қауіпті жағдайларға әкелуі мүмкін.
- ▶ **Тұтқыштар мен тұтқыш беттерін таза, құрғақ, май іздеріңіз ұстаңыз.** Сырғанақ тұтқыштар мен олардың беттері белгілі бір жағдайларда электр құралының қауіпсіз қолданылуы мен басқарылуына жол бермейді.

Аккумуляторлық аспапты пайдалану және оған қарау

- ▶ **Аккумуляторды тек өндіруші ұсынған зарядтағыш құрылғылардың көмегімен зарядтаңыз.** Зарядтағыш құрылғыны тиісті емес аккумулятор түрлерін зарядтау үшін қолданғанда өрт туындауы мүмкін.
- ▶ **Аспаппен жұмыс істеу үшін тек тиісті аккумуляторларды қолданыңыз.** Басқа аккумуляторларды пайдалану жарақаттарға әкелуі және өрт тудыруы мүмкін.
- ▶ **Пайдаланылмайтын аккумуляторларды контакттардың тұйықталуының себебі болуы мүмкін скрепкалардан, тиындардан, кілттерден, инелерден, винттерден және басқа металл заттардан ары сақтаңыз.** Аккумулятор контакттарының тұйықталуы күйіктерге немесе тұтануға әкелуі мүмкін.
- ▶ **Аккумулятормен тиісті емес түрде жұмыс істегенде одан электролит ағып шығуы мүмкін. Оған тиюді болдырмаңыз.** Кездейсоқ тигенде сумен шайыңыз. Электролит көзге тигенде дәрігер көмегіне жүгініңіз. Аккумулятордан ағып шыққан электролит тері тітіркенуін немесе күйіктерді тудыруы мүмкін.
- ▶ **Зақымдалған не пішіні өзгертілген аккумуляторларды қолданбаңыз.** Зақымдалған не пішіні өзгертілген аккумуляторларды болжауға болмайды және олар өрт, жарылыс не жарақаттану қауіпін тудырады.
- ▶ **Аккумуляторды өрт не жоғары температуралы аймақтардан алшақ ұстаңыз.** Өрт немесе 130 °C (265 °F) жоғары температуралар жарылыс тудыруы мүмкін.
- ▶ **Зарядтау үшін барлық нұсқауларды орындаңыз және аккумулятор не аккумуляторлық құралды ешқашан пайдалану бойынша нұсқаулықта берілген температура ауқымдарынан тыс зарядтамаңыз.** Қате зарядтау немесе рұқсатты температура ауқымдарынан тыс зарядтау аккумуляторды бұзуы және өрт қауіпін арттыруы мүмкін.

Қызмет

- ▶ **Электр құралын жөндеуді тек түпнұсқа қосалқы бөлшектерді қолданатын білікті қызметкерлерге сеніп тапсырыңыз.** Бұл электр құралын қауіпсіз күйде сақтауды қамтамасыз етеді.
- ▶ **Зақымдалған аккумуляторларға ешқашан қызмет көрсетпеңіз.** Аккумулятордың толық күтімін тек өндіруші немесе өкілетті қызмет көрсету орталықтары орындауы тиіс.

2.2 Гайка бұрауыш пен соқпалы гайка бұрауышқа арналған қауіпсіздік техникасы бойынша нұсқаулар

- ▶ **Бұранда жасырын электр сымдарын зақымдауы мүмкін жұмыстарды жүргізгенде электр құралын оқшауланған тұтқа беттерінен ұстаңыз.** Бұранда кернеу астындағы электр сымдарына тиген жағдайда аспаптың металл бөліктері электр тогының өткізгіштеріне айналып, электр тогының соғуына әкелуі мүмкін.

2.3 Қауіпсіздік бойынша қосымша нұсқаулар, гайка бұрауыш

Адамдардың қауіпсіздігі

- ▶ Өнімді тек техникалық мінсіз күйінде қолданыңыз.
- ▶ Аспапта ешқашан бейімдеу не өзгерту жұмыстарын орындамаңыз.
- ▶ Аспап жинағына кіретін қосымша тұтқыштарды қолданыңыз. Аспапты басқаруды жоғалту жарақаттарға әкелуі мүмкін.
- ▶ Өрқашан аспапты екі қолмен тұтқыштарынан берік ұстаңыз. Тұтқышты құрғақ өрі таза күйінде ұстаңыз.
- ▶ Аспаптың айналатын бөлшектеріне тиемеңіз - жарақат алу қаупі бар!
- ▶ Аспапты қолданған кезде арнайы қорғаныс көзілдірігін, қорғаныс шлемін, құлаққап, қорғаныс қолғап пен жеңіл респиратор тағып жүріңіз.



- ▶ Құралды алмастырған кезде қорғаныс қолғаптарын да киіңіз. Алмалы-салмалы аспапқа тию кесіктерге және күйіктерге апарып соғуы мүмкін.
- ▶ Қорғауыш көзілдіріктерді пайдаланыңыз. Материалдың сынықтары денені және көзді жарақаттауы мүмкін.
- ▶ Жұмысты бастау алдында дайындама материалы бойынша пайда болатын шаңның қауіп класын анықтаңыз. Аспаппен жұмыс істеу үшін қорғаныс дәрежесі қолданыстағы шаңнан қорғау нормаларына сай құрылыс шаңсорғышын қолданыңыз. Құрамында қорғасын бар бояулар, ағаштың кейбір түрлері, бетон/кірпіш қалауы/кварц қамтитын жыныстар және минералдар мен металл сияқты материалдардан пайда болатын шаң денсаулық үшін зиянды болуы мүмкін.
- ▶ Жұмыс орнындағы ауа алмасуды жақсарту үшін әрекет етіңіз және қажетінше тиісті шаңға арналған респираторды тағыңыз. Мұндай шаңның бөлшектерімен дем алу немесе оған тию пайдаланушыларда немесе жанындағы адамдарда аллергиялық реакциялардың және/немесе дем алу жолдары ауруларының пайда болуына әкелуі мүмкін. Кейбір шаң түрлері (мысалы, еменді немесе шамшатты өңдеу кезінде пайда болатын шаң) канцерогенді деп есептеледі, әсіресе ағашты өңдеу үшін қолданылатын қосымша материалдармен (хром қышқылының тұзы, ағашты қорғау заттары) тіркесімде. Құрамында асбест бар материалдарды тек мамандар өңдеуі керек.
- ▶ Саусақтарыңыздың қандандыруын жақсарту үшін үзіліс жасап, жаттығулар жасаңыз. Ұзақ уақыт жұмыс істеген кезде, дірілдердің салдарынан саусақ, қол не буындардың қантамыры не жүйкесіне кері әсер тиюі мүмкін.

Электр қауіпсіздігі

- ▶ Жұмысты бастамас бұрын, жұмыс аймағындағы электрлік сымдар, газ бен су құбырлары жабық екендігіне көз жеткізіңіз. Ток сымына байқамастан зақым келтірген жағдайда, аспаптағы сыртта орналасқан металл бөлшектер ток соғу қаупін тудыруы мүмкін.

Электр құралмен дұрыс жұмыс істеу және оны дұрыс пайдалану

- ▶ Электр құрал блокталған кезде құралды бірден өшіріңіз. Аспап бүйірімен ауытқуы мүмкін.
- ▶ Электр құралды алып тастау алдында оның толығымен тоқтатылған күйге орнатылғанына дейін күтіңіз.

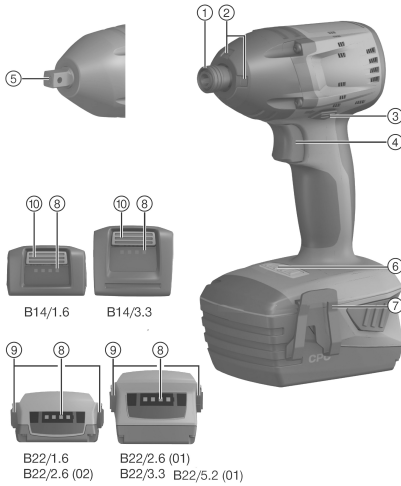
2.4 Аккумулятормен дұрыс жұмыс істеу және оны дұрыс пайдалану

- ▶ Li-Ion аккумуляторын тасымалдау, сақтау және пайдалану бойынша арнайы нұсқаулардың талаптарын орындаңыз.
- ▶ Аккумуляторларды жоғары температуралар, тікелей күн сәулесі мен өрттен алшақ ұстаңыз.
- ▶ Аккумуляторларды бөлшектеуге, қысуға, 80°C-тан жоғары температураға дейін қыздыруға және жағуға тыйым салынады.
- ▶ Соққы тиген, бір метрден жоғары биіктіктен құлаған немесе басқа жолмен зақымдалған аккумуляторларды пайдалануға немесе зарядтауға болмайды. Мұндай жағдайда әрдайым **Hilti сервистік қызметіңізге** хабарласыңыз.
- ▶ Егер тиген кезде аккумулятор тым ыстық болса, ол ақаулы болуы мүмкін. Аспапты тұтану қаупі жоқ орынға, тұтанғыш материалдардан алыс, оны бақылауға болатындай қойыңыз және суытып қойыңыз. Мұндай жағдайда әрдайым **Hilti сервистік қызметіңізге** хабарласыңыз.



3 Сипаттама

3.1 Өнімге шолу



- ① Ішкі алты қырлы (SID)
- ② Жарық
- ③ Қосуды бұғаттауы бар солға/оңға айнарудың ауыстырып-қосқышы
- ④ Реттелетін негізгі сөндіргіш (айналу жиілігі электрондық түрде басқарылатын)
- ⑤ Сыртқы төрт қырлы (SIW)
- ⑥ Бұрау моменті ауыстырғышы
- ⑦ Белдікке ілуге арналған ілгек (таңдау бойынша)
- ⑧ Аккумулятор зарядтау деңгейінің индикаторы
- ⑨ Босату түймелері (аккумулятор B22/...)
- ⑩ Босату түймесі (аккумулятор B14/...)

3.2 Мақсатына сай қолдану

Сипатталған өнім қолмен басқарылатын аккумуляторлық гайка бұрауыш болып табылады. Ол ағаш, металл, тас пен бетонда бұрандалы қоспаларды, гайкалар мен болттарды тарту мен босатуға арналған. Гайка бұрауыш тек дәл/белгіленген айналу моментін қажет етпейтін жұмыстарда ғана пайдаланылуы мүмкін. Әйтпесе айналу моментінен асыру және бұрандаға немесе дайындамаға зақым келтіру қаупі туындайды.

- ▶ Бұл өнім үшін тек B14 (SID/SIW 14-A) немесе B22 (SID/SIW 22-A) сериялы **Hilti** Li-Ion аккумуляторларын қолданыңыз.
- ▶ Бұл аккумуляторлар үшін тек C4/36 сериялы **Hilti** зарядтағыш құрылғыларын пайдаланыңыз.

3.3 Зарядтау дәрежесінің индикациясы

Li-Ion аккумуляторының зарядтау күйі құлыптан босату түймесін сәл басу арқылы (макс. қарсылық сезінгенге дейін) көрсетіледі.

Құралдың бөлшектері	Сипаттамасы
4 жарық диоды жанады.	Зарядтау күйі: 75% - 100%
3 жарық диоды жанады.	Зарядтау күйі: 50% - 75%
2 жарық диоды жанады.	Зарядтау күйі: 25% - 50%
1 жарық диоды жанады.	Зарядтау күйі: 10% - 25%
1 жарық диоды жыпылықтайды.	Зарядтау күйі: < 10%

Негізгі сөндіргіш басылып тұрғанда және негізгі сөндіргішті жібергеннен 5 секундтан кейін зарядтау күйіне сұрау салу мүмкін болмайды.

3.4 Жеткізу жинағы

Гайка бұрауыш, пайдалану бойынша нұсқаулық.

Біз рұқсат еткен қосалқы бөлшектер, шығын материалдары мен өнімге арналған керек-жарақтар **Hilti Store** дүкенінде немесе келесі веб-сайтта қолжетімді: www.hilti.group | АҚШ: www.hilti.com



		SID 14-A	SIW 14-A
Номиналды кернеу		14,4 В	14,4 В
ЕРТА Procedure-01 құжаты бойынша салмағы		1,6 кг	1,6 кг
Бос жүрістегі айналу жиілігі	I параметрі	0 А/мин ... 1000 А/мин	0 А/мин ... 1000 А/мин
	II параметрі	0 А/мин ... 1500 А/мин	0 А/мин ... 1500 А/мин
	III параметрі	0 А/мин ... 2500 А/мин	0 А/мин ... 2300 А/мин
Соққылар жиілігі		≤ 3100 соғу/мин	≤ 3400 соғу/мин
Бұрау моментін реттеу		3 қадам	3 қадам
Үлкен стандартты бұрандалар		M8 - M16	M8 - M16
Жоғары беріктікті үлкен бұрандалар		M6 - M12	M6 - M12
Қысу қысқысы		$\frac{1}{4}$ " ішкі алты қырлы, қауіпсіздік манжетасымен	$\frac{1}{2}$ " сыртқы төрт қырлы, гемисферамен немесе $\frac{3}{8}$ " сыртқы төрт қырлы тірек сақинасымен
Жұмыс кезіндегі қоршаған орта температурасы		-17 °C ... 60 °C	-17 °C ... 60 °C
Сақтау температурасы		-20 °C ... 70 °C	-20 °C ... 70 °C

		SID 22-A	SIW 22-A
Номиналды кернеу		21,6 В	21,6 В
ЕРТА Procedure-01 құжаты бойынша салмағы		2,1 кг	2,1 кг
Бос жүрістегі айналу жиілігі	I параметрі	0 А/мин ... 1000 А/мин	0 А/мин ... 1000 А/мин
	II параметрі	0 А/мин ... 1500 А/мин	0 А/мин ... 1500 А/мин
	III параметрі	0 А/мин ... 2500 А/мин	0 А/мин ... 2300 А/мин
Соққылар жиілігі		≤ 3450 соғу/мин	≤ 3500 соғу/мин
Бұрау моментін реттеу		3 қадам	3 қадам
Үлкен стандартты бұрандалар		M8 - M16	M8 - M16
Жоғары беріктікті үлкен бұрандалар		M6 - M12	M6 - M12
Қысу қысқысы		$\frac{1}{4}$ " ішкі алты қырлы, қауіпсіздік манжетасымен	$\frac{1}{2}$ " сыртқы төрт қырлы, гемисферамен немесе $\frac{3}{8}$ " сыртқы төрт қырлы тірек сақинасымен
Жұмыс кезіндегі қоршаған орта температурасы		-17 °C ... 60 °C	-17 °C ... 60 °C
Сақтау температурасы		-20 °C ... 70 °C	-20 °C ... 70 °C

4.1 EN 62841 стандарты бойынша шуыл туралы ақпарат және діріл мәні

Осы нұсқауларда көрсетілген дыбыс қысымы мен діріл деңгейі стандартты өлшеу әдісімен өлшенген және оны басқа электр құралдарымен салыстыру үшін пайдалануға болады. Сонымен бірге, ол экспозицияны алдын ала бағалау үшін жарайды.

Берілген деректер электр құралының негізгі жұмысын көрсетеді. Алайда, егер электр құралы басқа мақсаттарда, басқа жұмыс аспаптарымен қолданылса немесе оған қанағаттандырмайтын техникалық қызмет көрсетілсе, деректер өзгеше болуы мүмкін. Осының салдарынан аспаптың бүкіл жұмыс істеу кезеңінде экспозиция айтарлықтай артуы мүмкін.

Экспозицияны дәл анықтау үшін аспап сөндірілген күйде немесе бос жұмыс істейтін уақыт аралықтарын да ескеру керек. Осының салдарынан аспаптың бүкіл жұмыс істеу кезеңінде экспозиция айтарлықтай азаюы мүмкін.

Пайдаланушыны пайда болатын шуылдан және/немесе дірілден қорғау үшін қосымша сақтық шараларын қолданыңыз, мысалы: электр аспабына және жұмыс аспаптарына техникалық қызмет көрсету, қолдардың жылуын сақтау, жұмыс процестерін дұрыс ұйымдастыру.



Шуыл туралы ақпарат

	SID 14-A	SIW 14-A	SID 22-A	SIW 22-A
Дыбыс күшінің деңгейі (L_{WA})	94 дБ(А)	94 дБ(А)	97 дБ(А)	97 дБ(А)
Дыбыс күшінің деңгейі бойынша дәлсіздік (K_{WA})	3 дБ(А)	3 дБ(А)	3 дБ(А)	3 дБ(А)
Эмиссиялық дыбыс қысымының деңгейі (L_{pA})	83 дБ(А)	83 дБ(А)	86 дБ(А)	86 дБ(А)
Дәлсіздік, дыбыс қысымының деңгейі (K_{pA})	3 дБ(А)	3 дБ(А)	3 дБ(А)	3 дБ(А)

Дірілдің жалпы көрсеткіші

	SID 14-A	SIW 14-A	SID 22-A	SIW 22-A
Максималды рұқсатты өлшемдегі бұрандалар мен гайкаларды тарту бойынша дірілдің шығыс мәні (a_{car})	7,5 м/с ²	7,5 м/с ²	11 м/с ²	11 м/с ²
Максималды рұқсатты өлшемдегі бұрандалар мен гайкаларды тарту бойынша дәлсіздік	1,5 м/с ²	1,5 м/с ²	1,5 м/с ²	1,5 м/с ²

4.2 Айналу моментін орнату

Айналу моментін ауыстырып-қосқышты орнату арқылы айналу моменті таңдалады.

SID үлгісі ...

SID 14-A
SID 22-A

		Үлгісі	
		SID 14-A	SID 22-A
Айналу моменті	I параметрі	50 Н·м	60 Н·м
	II параметрі	100 Н·м	110 Н·м
	III параметрі	150 Н·м	165 Н·м

SIW үлгісі ...

SIW 14-A
SIW 22-A

		SIW 14-A	
		1/2" сыртқы төрт қырлы, гемисферамен	3/8" сыртқы төрт қырлы, тірек сақинасымен
Айналу моменті	I параметрі	80 Н·м	65 Н·м
	II параметрі	120 Н·м	115 Н·м
	III параметрі	185 Н·м	160 Н·м

		SIW 22-A	
		1/2" сыртқы төрт қырлы, гемисферамен	3/8" сыртқы төрт қырлы, тірек сақинасымен
Айналу моменті	I параметрі	90 Н·м	75 Н·м
	II параметрі	135 Н·м	120 Н·м
	III параметрі	200 Н·м	175 Н·м

4.3 Аккумулятор 14,4 В

Аккумулятордың жұмыс кернеуі	14,4 В
Қоршаған орта температурасы	-10 °C ... 60 °C
Сақтау температурасы	-20 °C ... 40 °C



4.4 Аккумулятор 21,6 В

Аккумулятордың жұмыс кернеуі	21,6 В
Қоршаған орта температурасы	-17 °C ... 60 °C
Сақтау температурасы	-20 °C ... 40 °C

5 Жұмысқа дайындық

АБАЙЛАҢЫЗ

Жарақат алу қаупі абайсыздан қосылу себебінен!

- ▶ Аккумуляторды орнату алдында оған қатысты өнімнің өшірілгеніне көз жеткізіңіз.
- ▶ Аспап реттеулерін орындау немесе қосалқы бөлшектерді алмастыру алдында аккумуляторды шығарыңыз.

Осы құжаттамадағы және өнімдегі қауіпсіздік және ескерту нұсқауларын орындаңыз.

5.1 Аккумуляторды зарядтау

1. Зарядтау алдында зарядтағыш құрылғының пайдалану бойынша нұсқаулығын оқып шығыңыз.
2. Аккумулятордағы және зарядтағыш құрылғыдағы контактілердің таза әрі құрғақ екендігіне көз жеткізіңіз.
3. Аккумуляторды рұқсат етілген зарядтағыш құрылғы ішінде зарядтаңыз.

5.2 Аккумуляторды орнату

АБАЙЛАҢЫЗ

Жарақат алу қаупі қысқа тұйықталудан немесе аккумулятордың құлауынан!

- ▶ Аккумуляторды орнату алдында аккумулятор контактілерінде және өнімдегі контактілерде бөгде заттардың жоқтығына көз жеткізіңіз.
- ▶ Аккумулятордың әркез дұрыс орнатылғанына көз жеткізіңіз.

1. Аккумуляторды алғаш рет іске қоспас бұрын зарядтаңыз.
2. Аккумуляторды аспап ұстағышына шерту дыбысы шыққанша мұқият салыңыз.
3. Аккумулятордың аспапқа берік бекітілгенін тексеріңіз.

5.3 Аккумуляторды шығару

1. Аккумулятордың босату түймелерін басыңыз.
2. Аккумуляторды аспаптан шығарыңыз.

5.4 Белдікке ілуге арналған ілгекті орнату (қосымша) 2

ЕСКЕРТУ

Жарақат алу қаупі Аспапты құлатудан болатын қауіп.

- ▶ Аспаптың құлауы сіз және басқа тұлғалар үшін қауіпті жағдайлар тудыруы мүмкін. Жұмысты бастау алдында белдік ілгегі берік бекітілгенін тексеріңіз.



Ілгек аспапты белдікке ілуге мүмкіндік береді. Белдікке ілуге арналған ілгекті оң және сол жақтан ұстау үшін орнатуға болады.

1. Аккумуляторды аспаптан шығарыңыз. → Бет 178
2. Белдікке ілуге арналған ілгекті гайка бұрауыштың аяғындағы арнайы саңылауға кіргізіңіз.
3. Белдікке ілуге арналған ілгекті 2 бұрандамен бекітіңіз.



5.5 Алмалы-салмалы құралды орнату 3

SID 14-A
SID 22-A

1. Алмалы-салмалы құралдың енгізу шеті таза екеніне көз жеткізіңіз.
 - ▶ Енгізу шетін тазалаңыз.
2. Оңға/солға айналу ауыстырып-қосқышын ортаңғы күйге орнатыңыз немесе аккумуляторды аспаптан ажыратыңыз.
3. Алмалы-салмалы аспапты аспап қысқысына тірелгенше салыңыз.
4. Пайдалану алдында төсемнің берік және дұрыс отырғанын тексеріңіз.

5.6 Алмалы-салмалы құралды орнату 4

SIW 14-A
SIW 22-A

1. Алмалы-салмалы құралдың енгізу шеті таза екеніне көз жеткізіңіз.
 - ▶ Енгізу шетін тазалаңыз.
2. Оңға/солға айналу ауыстырып-қосқышын ортаңғы күйге орнатыңыз немесе аккумуляторды аспаптан ажыратыңыз.
3. Алмалы-салмалы құралдағы бүйірлік саңылауды құрал бекіткішіндегі жартылай сферамен туралаңыз.
4. Алмалы-салмалы құралды бекіткішке тірелгенше басып тұрыңыз.
5. Пайдалану алдында төсемнің берік және дұрыс отырғанын тексеріңіз.

5.7 Алмалы-салмалы құралды орнату 5

SIW 22-A

АБАЙПАҢЫЗ

Жарақат алу қаупі - қате құралдың пайдаланылуына байланысты!

- ▶ Тек құлыптау мүмкіндігі бар құралдарды ғана пайдаланыңыз.
- ▶ Тозған немесе зақымдалған құралдарды қолданбаңыз.

1. Оңға/солға айналу ауыстырып-қосқышын ортаңғы күйге орнатыңыз немесе аккумуляторды аспаптан ажыратыңыз.
2. Қысу төлкесінің ойығынан тығыздауыш сақинаны алып тастаңыз.
3. Бекіткіш штифтті шығарыңыз.
4. Қысу төлкесін аспаптың қозғалтқыш төртжағына салыңыз.



Төжегіш сақинасының патронындағы тесіктер қозғалтқыш төртжағы мен қысу төлкесіне сәйкес екеніне көз жеткізіңіз.

5. Бекіткіш штифтті қысу төлкесіне енгізіңіз.
6. Тығыздауыш сақинаны қысу төлкесіне жалғаңыз.
7. Пайдалану алдында төсемнің берік және дұрыс отырғанын тексеріңіз.

6 Қызмет көрсету

Осы құжаттамадағы және өнімдегі қауіпсіздік және ескерту нұсқауларын орындаңыз.



6.1 Айналу моментін орнату

- ▶ Айналу моментінің ауыстырып-қосқышының жанындағы қалаулы айналу моментінің деңгейі көрсетілгенше айналу моментінің ауыстырып-қосқышын басып тұрыңыз.

SID 14-A
SID 22-A

SID үлгісі ... → Бет 177

SIW 14-A
SIW 22-A

SIW үлгісі ... → Бет 177

6.2 Айналу бағытын орнату

- ▶ Бұғаттау электр қозғалтқышы жұмыс істеп тұрғанда бағытты ауыстырудан қорғайды. Ауыстырып-қосқыш ортаңғы күйде болғанда, негізгі сөндіргіш бұғатталған болады (қосуды құлыптау).

- ▶ Оңға/солға айналу ауыстырып-қосқышын қалаулы айналу бағытына ортатыңыз.

6.3 Қосу

- ▶ Бұғаттаудан шығару түймесін басыңыз.
 - ▶ Басу тереңдігі арқылы айналу жиілігін реттеуге болады.

6.4 Бұрап бекіту

АБАЙЛАҢЫЗ

Зақымдалған тетіктерінен жарақат алып қалу қаупі бар! Егер айналдыру моменті тым жоғары болатын болса, бұрандалар мен тетіктер зақымдалуы мүмкін. Бұл жарақат алуға әкелуі мүмкін.

- ▶ Бұрандалы бекіткіштер мен өңделетін бөлшек құрал тудыратын айналу моментіне сай екеніне көз жеткізіңіз.

1. Оңға/солға айналу ауыстырып-қосқышын ортаңғы күйге орнатыңыз немесе аккумуляторды аспаптан ажыратыңыз.
2. Айналу моментінің ауыстырып-қосқышы арқылы қалаулы айналу моментін орнатыңыз. → Бет 180

6.5 Өшіру

- ▶ Негізгі сөндіргішті жіберіңіз.

6.6 Алмалы-салмалы аспапты бөлшектеу

SID 14-A
SID 22-A

АБАЙЛАҢЫЗ

Алмалы-салмалы құралды мұқият пайдаланбаса, одан жарақат алу қаупі бар! Алмалы-салмалы аспап ыстық не өткір болуы мүмкін.

- ▶ Аспапты қолданғанда және алмалы-салмалы аспапты алмастырған кезде қорғаныс қолғаптарды киіңіз.

1. Оңға/солға айналу ауыстырып-қосқышын ортаңғы күйге ортатыңыз немесе аккумуляторды аспаптан ажыратыңыз.
2. Қысқы сақинасын алға тартып шығарып, ұстап тұрыңыз.
3. Алмалы-салмалы аспапты қысу қысқысынан шығарыңыз.
4. Алмалы-салмалы аспаптың сақинасын босатыңыз.



6.7 Алмалы-салмалы аспапты бөлшектеу 9

SIW 14-A
SIW 22-A

АБАЙПАҢЫЗ

Алмалы-салмалы құралды мұқият пайдаланбаса, одан жарақат алу қаупі бар! Алмалы-салмалы аспап ыстық не өткір болуы мүмкін.

- ▶ Аспапты қолданғанда және алмалы-салмалы аспапты алмастырған кезде қорғаныс қолғаптарды киіңіз.
-
1. Оңға/солға айналу ауыстырып-қосқышын ортаңғы күйге ортатыңыз немесе аккумуляторды аспаптан ажыратыңыз.
 2. Алмалы-салмалы аспапты қысу қысқысынан шығарыңыз.

6.8 Алмалы-салмалы құралды бөлшектеу 10

SIW 22-A

1. Оңға/солға айналу ауыстырып-қосқышын ортаңғы күйге орнатыңыз немесе аккумуляторды аспаптан ажыратыңыз.
2. Қысу төлкесінің ойығынан тығыздауыш сақинаны алып тастаңыз.
3. Бекіткіш штифтті шығарыңыз.
4. Қысу төлкесін құрылғының қозғалтқыш төртжағынан шығарыңыз.
5. Бекіткіш штифтті орнатыңыз.
6. Тығыздауыш сақинаны қысу төлкесіндегі бекіткішке орнатыңыз.

7 Күту және техникалық қызмет көрсету

ЕСКЕРТУ

Аккумулятор енгізілген кезде жарақат алу қаупі бар !

- ▶ Күтім және техникалық қызмет көрсету бойынша кез келген жұмыстарды орындамас бұрын әрдайым аккумуляторды шығарыңыз!

Аспапқа қызмет көрсету

- Қатты жабысқан кірді мұқият кетіріңіз.
- Желдету ойықтарын құрғақ қылшақпен жайлап тазалаңыз.
- Корпусты тек сәл суланған шүберекпен тазалаңыз. Ешқандай силикон қамтитын күтім құралдарын пайдаланбаңыз, өйткені олар пластмасса бөлшектерін зақымдауы мүмкін.

Литий-иондық аккумуляторға қызмет көрсету

- Аккумуляторды май мен майлағыштан таза күйінде ұстаңыз.
- Корпусты тек сәл суланған шүберекпен тазалаңыз. Ешқандай силикон қамтитын күтім құралдарын пайдаланбаңыз, өйткені олар пластмасса бөлшектерін зақымдауы мүмкін.
- Ылғалдың кіруін болдырмаңыз.

Техникалық қызмет көрсету

- Барлық көзге көрінетін бөлшектерде зақымдардың бар-жоғын және басқару элементтерінің ақаусыз жұмысын жиі тексеріп тұрыңыз.
- Өнім зақымдалған және/немесе ақаулы болған жағдайда оны пайдаланушы болмаңыз. Бірден **Hilti** қызмет көрсету орталығына жөндетіңіз.
- Күтім және техникалық қызмет көрсету жұмыстарынан кейін барлық қорғауыш құрылғыларды орнатып, жұмысын тексеріңіз.



Қауіпсіз қолдану үшін тек түпнұсқа қосалқы бөлшектер мен жұмсалатын материалдарды қолданыңыз. Біз рұқсат еткен қосалқы бөлшектер, шығын материалдары мен өнімге арналған керек-жарақтар **Hilti Store** дүкенінде немесе келесі веб-сайтта қолжетімді: www.hilti.group.



8 Аккумуляторлық аспаптарды тасымалдау және сақтау

Тасымалдау

АБАЙЛАҢЫЗ

Тасымалдау кезіндегі кенет іске қосылу !

- ▶ Өніміңізді әрдайым аккумуляторын шығарып алып тасымалдаңыз!
- ▶ Аккумуляторларды шығарыңыз.
- ▶ Аккумуляторларды ешқашан үймеде тасымалдамаңыз.
- ▶ Аспапты немесе аккумуляторларды ұзақ уақыт тасымалдаған соң, оларды пайдалану алдында зақымдарының бар-жоғын тексеріңіз.

Сақтау

АБАЙЛАҢЫЗ

Бүлінген немесе заряды таусылған аккумуляторлардан күтілмеген зақымдалу !

- ▶ Өніміңізді әрдайым аккумуляторын шығарып алып сақтаңыз!
- ▶ Аспап пен аккумуляторларды мүмкіндігінше салқын және құрғақ күйінде сақтаңыз.
- ▶ Аккумуляторларды ешқашан күн, жылу көздерінің астында немесе әйнек артында сақтамаңыз.
- ▶ Аспап пен аккумуляторларды балалар мен рұқсаты жоқ адамдардың қолы жетпейтін жерде сақтаңыз.
- ▶ Аспапты немесе аккумуляторларды ұзақ уақыт сақтаған соң, оларды пайдалану алдында зақымдарының бар-жоғын тексеріңіз.

9 Ақаулықтардағы көмек

Бұл кестеде келтірілмеген немесе өзіңіз түзете алмайтын ақаулықтар орын алғанда, **Hilti** қызмет көрсету орталығына хабарласыңыз.

9.1 Ақаулықтардағы көмек

Ақаулық	Ықтимал себеп	Шешім
Аспап жұмыс істемейді.	Аккумулятор толығымен салынбаған.	▶ Аккумуляторды орнатыңыз. → Бет 178
	Аккумулятор заряды бос.	▶ Аккумуляторды зарядтаңыз. → Бет 178
Сендіргіш басылмайды, яғни, бұғатталған.	Оңға/солға айналу ауыстырып-қосқышы ортаңғы күйде.	▶ Оңға/солға айналу ауыстырып-қосқышын ортатыңыз. → Бет 180
Айналымдар саны тым тез төмендейді.	Аккумулятор заряды бос.	▶ Аккумуляторды зарядтаңыз. → Бет 178
Аккумулятор заряды әдеттегіден тезірек бітеді.	Қоршаған орта температурасы тым төмен.	▶ Аккумуляторды ұзақ уақытта бөлме температурасында жылытыңыз.
Аккумулятор бекітілгенде оған тән "қос шырт еткен дыбыс" естілмейді.	Аккумулятордағы құлып шоқылары кірленген.	▶ Тіреуіш шығыңқы жерлерін тазалаңыз және аккумуляторды салыңыз. Мәселе шешілмесе, Hilti сервис орталығына хабарласыңыз.
Аспап немесе аккумулятор жылуды қарқынды түрде шығарады.	Электр бөлігі бойынша ақаулық.	▶ Аспапты бірден өшіріңіз, аккумуляторды шығарыңыз, оны қадағалап, салқындауына мүмкіндік беріңіз және Hilti сервис орталығына хабарласыңыз.
	Аспапқа шамадан тыс жүктеме түскен (пайдалану шегі асырылған).	▶ Қолдануға жарамды аспапты таңдаңыз.



10 Көдеге жарату

Hilti аспаптары қайта өңдеу үшін жарамды көптеген материалдардың санын қамтиды. Көдеге жарату алдында материалдарды мұқият сұрыптау керек. Көптеген елдерде **Hilti** компаниясы ескі аспабыңызды қайта өңдеу үшін қайта қабылдайды. **Hilti** қызмет көрсету орталығынан немесе дилеріңізден сұраңыз.

Аккумуляторды көдеге жарату

Аккумуляторларды нұсқаулардан тыс көдеге жарату нәтижесінде газ не сұйықтықтың шығуы денсаулыққа қауіп төндіруі мүмкін.

- ▶ Зақымдалған аккумуляторларды жіберуге немесе жөнелтуге болмайды!
- ▶ Қысқа тұйықталуға жол бермеу үшін, қосылымдарды ток өткізбейтін материалмен жауып қойыңыз.
- ▶ Аккумуляторларды балалардың қолына жетпейтіндей етіп көдеге жаратыңыз.
- ▶ Аккумуляторды **Hilti Store** дүкенінде көдеге жаратыңыз немесе жергілікті көдеге жарату кәсіпорнына хабарласыңыз.



- ▶ Электр құралдарды, электрондық құрылғылар мен аккумуляторларды тұрмыстық қоқыспен бірге тастамаңыз!

11 RoHS (зиянды заттектердің пайдаланылуын шектеу директивасы)

Төмендегі сілтемелер бойынша зиянды заттектердің кестесі берілген: qr.hilti.com/r4923, qr.hilti.com/r4922, qr.hilti.com/r4927 және qr.hilti.com/r4926.

RoHS кестесінің сілтемесі осы құжаттаманың соңында QR коды ретінде берілген.

12 Өндіруші кепілдігі

- ▶ Кепілдік шарттары туралы сұрақтарыңыз болса, жергілікті **Hilti** серіктесіне хабарласыңыз.

オリジナル取扱説明書

1 文書について

1.1 本書について

- ご使用前に本書をすべてお読みください。このことは、安全な作業と問題のない取扱いのための前提条件となります。
- 本書および製品に記載されている安全上の注意と警告表示に注意してください。
- 取扱説明書は常に製品とともに保管し、他の人が使用する場合には、製品と取扱説明書を一緒にお渡しください。

1.2 記号の説明

1.2.1 警告表示

警告表示は製品の取扱いにおける危険について警告するものです。以下の注意喚起語が使用されています：



危険

危険！

- ▶ この表記は、重傷あるいは死亡事故につながる危険性がある場合に注意を促すために使われます。



警告

警告！

- ▶ この表記は、重傷あるいは死亡事故につながる可能性がある場合に注意を促すために使われます。



注意

注意！

- ▶ この表記は、軽傷あるいは物財の損傷が発生する可能性がある場合に使われます。



1.2.2 本書の記号

本書では、以下の記号が使用されています：

	使用前に取扱説明書をお読みください
	本製品を効率良く取り扱うための注意事項や役に立つ情報
	リサイクル可能な部品の取扱い
	工具およびバッテリーを一般ゴミとして廃棄してはなりません

1.2.3 図中の記号

図中では以下の記号が使用されています：

	この数字は本取扱説明書冒頭にある該当図を示しています
	付番は図中の作業手順の順序に対応していて、本文の作業手順とは一致しない場合があります
	概要図には項目番号が付されていて、製品概要セクションの凡例の番号に対応しています
	この記号は、製品の取扱いの際に特に注意が必要なことを示しています。

1.3 製品により異なる記号

1.3.1 製品に表示されている記号

製品には以下の記号が使用されている場合があります：

	回転のみ
	打撃 + 回転
/min	毎分回転数
n_0	無負荷回転数
	直流
Li-Ion	Li-Ionen バッテリー
	使用されているHilti Li-Ion バッテリーのモデルシリーズ。正しい使用の章の記載に注意してください。
	本体は、iOS および Android プラットフォームと互換性のある NFC テクノロジーをサポートしています。
	バッテリーは決して打撃工具として使用しないでください。
	バッテリーは落下させないでください。ぶつけたり、あるいはその他の理由で損傷しているバッテリーは使用しないでください。

1.4 製品情報

製品はプロ仕様で製作されており、その使用、保守、修理を行うのは、認定を受けトレーニングされた人のみに限ります。これらの人は、遭遇し得る危険に関する情報を入手していなければなりません。製品およびアクセサリの使用法を知らない者による誤使用、あるいは規定外の使用は危険です。機種名および製造番号は銘板に表示されています。



- ▶ 製造番号を以下の表に書き写しておいてください。ヒルティ代理店やサービスセンターへお問い合わせの際には、製品データが必要になります。

製品データ

充電式スクリュードライバー / レンチ 充電式インパクトドライバー / レンチ	SID 14-A, SID 22-A SIW 14-A, SIW 22-A
製品世代:	01
製造番号:	

1.5 適合宣言

当社は、単独の責任において本書で説明している製品が有効な基準と標準規格に適合していることを宣言します。適合宣言書の複写は本書の末尾にあります。

技術資料は本書の後続の頁に記載されています：

Hilti Entwicklungsgesellschaft mbH | Zulassung Geräte | Hiltistraße 6 | 86916 Kaufering, DE

2 安全

2.1 電動工具の一般安全注意事項

⚠ 警告事項 本電動工具に付属のすべての安全上の注意、指示事項、図、および製品仕様をお読みください。以下の指示を守らないと、感電、火災および / または重傷事故の危険があります。

安全上の注意および指示事項が書かれた説明書はすべて大切に保管してください。

安全上の注意で使用する用語「電動工具」とは、お手持ちの電動ツール（電源コード使用）またはバッテリーツール（コードレス）を指します。

作業環境に関する安全

- ▶ 作業場はきれいに保ち、十分に明るくしてください。ちらかった暗い場所での作業は事故の原因となります。
- ▶ 爆発の危険性のある環境（可燃性液体、ガスおよび粉じんのある場所）では電動工具を使用しないでください。電動工具から火花が飛散し、粉じんや揮発性ガスに引火する恐れがあります。
- ▶ 電動工具の使用時、子供や無関係者を作業場へ近づけないでください。作業中に気がそざされると、本体のコントロールを失ってしまう恐れがあります。

電気に関する安全注意事項

- ▶ 電動工具の接続プラグは電源コンセントにきちんと適合しなければなりません。プラグは絶対に変更しないでください。保護接地した電動工具と一緒にアダプタープラグを使用しないでください。オリジナルのプラグと適切なコンセントを使用することにより、感電の危険を小さくすることができます。
- ▶ パイプ、ラジエーター、電子レンジ、冷蔵庫などのアースされた面に体の一部が触れないようにしてください。体が触れると感電の危険が大きくなります。
- ▶ 電動工具を雨や湿気から保護してください。電動工具に水が浸入すると、感電の危険が大きくなります。
- ▶ 電動工具を持ち運んだり、吊り下げたり、コンセントからプラグを抜いたりするときは、必ず本体を持ち、電源コードを持ったり引っ張ったりしないでください。電源コードを火気、オイル、鋭利な刃物、可動部等に触れる場所に置かないでください。電源コードが損傷したり絡まったりしていると、感電の危険が大きくなります。
- ▶ 屋外工事の場合には、必ず屋外専用の延長コードを使用してください。屋外専用の延長コードを使用すると、感電の危険が小さくなります。
- ▶ 湿った場所で電動工具を動作させる必要がある場合は、漏電遮断器を使用してください。漏電遮断器を使用すると、感電の危険が小さくなります。

作業員に関する安全

- ▶ 電動工具を使用の際には、油断せずに十分注意し、常識をもった作業をおこなってください。疲れている場合、薬物、医薬品服用およびアルコール飲用による影響下にある場合には電動工具を使用しないでください。電動工具使用中の瞬間の不注意が重傷の原因となることがあります。
- ▶ 個人用保護具および保護メガネを常に着用してください。負傷の危険を低減するために、電動工具の使用状況に応じた粉じんマスク、耐滑性の安全靴、ヘルメット、耳栓などの個人用保護具を着用してください。
- ▶ 電動工具の意図しない始動を防止して下さい。電動工具を電源および / またはバッテリーに接続する前や本体を持ち上げたり運んだりする前に、本体がオフになっていることを必ず確認してください。オン / オフスイッチが入っている状態で電動工具のスイッチに指を掛けたまま運んだり、電源に接続したりすると、事故の原因となる恐れがあります。
- ▶ 電動工具のスイッチを入れる前に、必ず調節キーやレンチを取り外してください。調節キーやレンチが本体の回転部に装着されたままでは、けがの原因となる恐れがあります。



- ▶ 作業中は不安定な姿勢をとらないでください。足元を安定させ、常にバランスを保つようにしてください。これにより、万一電動工具が異常状況に陥った場合にも、適切な対応が可能となります。
- ▶ 作業に適した作業着を着用してください。だぶだぶの衣服や装身具を着用しないでください。髪、衣服、手袋を本体の可動部に近づけないでください。だぶだぶの衣服、装身具、長い髪が可動部に巻き込まれる恐れがあります。
- ▶ 吸じんシステムの接続が可能な場合には、これらのシステムが適切に接続、使用されていることを確認してください。吸じんシステムを利用することにより、粉じん公害を防げます。
- ▶ 電動工具の取扱いに熟練している場合にも、正しい安全対策を遵守し、電動工具に関する安全規則を無視しないでください。不注意な取扱いは、ほんの一瞬で重傷事故を招くことがあります。

電動工具の使用および取扱い

- ▶ 無理のある使用を避けてください。作業用途に適した電動工具を使用してください。適切な電動工具の使用により、能率よく、スムーズかつ安全な作業が行えます。
- ▶ スイッチが故障している場合には、電動工具を使用しないでください。スイッチで始動および停止操作のできない電動工具は危険ですので、修理が必要です。
- ▶ 本体の設定やアクセサリーの交換を行う前や本体を保管する前には電源プラグをコンセントから抜き、および/または脱着式のバッテリーを取り外してください。この安全処置により、電動工具の意図しない始動を防止することができます。
- ▶ 電動工具をご使用にならない場合には、子供の手の届かない場所に保管してください。電動工具に関する知識のない方、本説明書をお読みなない方による本体のご使用は避けてください。未経験者による電動工具の使用は危険です。
- ▶ 電動工具とアクセサリーは慎重に手入れしてください。可動部分が引っ掛かりなく正常に作動しているか、電動工具の運転に影響を及ぼす各部分が破損・損傷していないかを確認してください。電動工具をご使用になる前に、損傷部分の修理を依頼してください。事故の多くは保守管理の不十分な電動工具の使用が原因となっています。
- ▶ 先端工具は鋭利で汚れない状態を保ってください。お手入れのゆきとどいた先端工具を使用すると、作業が簡単かつ、スムーズになります。
- ▶ 電動工具、アクセサリー、先端工具などは、それらの説明書に記載されている指示に従って使用してください。その際は、作業環境および用途についてもご注意ください。指定された用途以外に電動工具を使用すると危険な状況をまねく恐れがあります。
- ▶ グリップとグリップ面は乾燥した清潔な状態に保ち、オイルやグリスの付着がないようにしてください。グリップやグリップ面が滑りやすい状態になっていると、予期していない状況が発生した際に電動工具を安全に使用 / 制御できません。

バッテリー工具の使用および取扱い

- ▶ バッテリーを充電する場合は、必ずメーカー推奨の充電器を使用してください。特定タイプのバッテリー専用の充電器を他のバッテリーに使用すると、火災の恐れがあります。
- ▶ 電動工具には、必ず指定されたバッテリーを使用してください。指定以外のバッテリーを使用すると、負傷や火災の恐れがあります。
- ▶ 使用されていないバッテリーの近くに、事務用クリップ、硬貨、キー、釘、ネジ、その他の小さな金属物を置かないでください。電気接点の短絡が起こることがあります。バッテリーの電気接点間が短絡すると、火傷や火災が発生する危険があります。
- ▶ 正しく使用しないと、液漏れが発生することがあります。その場合、漏れた液には触れないでください。もしも触れてしまった場合は、水で洗い流してください。バッテリー液が眼に入った場合は、水で洗い流してから医師の診察を受けてください。流出したバッテリー液により、皮膚が刺激を受けたり火傷を負う恐れがあります。
- ▶ 損傷したあるいは変更が加えられたバッテリーは使用しないでください。損傷したあるいは変更が加えられたバッテリーは、予測不可能な挙動により爆発あるいは負傷事故を発生させる危険があります。
- ▶ バッテリーは火気あるいは高温に曝さないでください。火気あるいは 130 °C (265 °F) を超える高温は、爆発の原因となることがあります。
- ▶ 充電に関するすべての指示事項に従い、バッテリーあるいはバッテリー工具は、決して取扱説明書に記載された温度範囲外で充電しないでください。正しくない充電あるいは許容温度範囲外での充電により、バッテリーが破壊され火災が発生する危険があります。

サービス

- ▶ 電動工具の修理は必ず認定サービスセンターにお申し付けください。また、必ず純正部品を使用してください。これにより電動工具の安全性が確実に維持されます。
- ▶ 損傷したバッテリーは決して手入れや保守を行わないでください。バッテリーの保守作業はすべて、メーカーあるいは権限のあるお客様サービスセンターが行うものとします。



2.2 スクリュードライバーおよびインパクトドライバー / レンチに関する安全上の注意

- ▶ 隠れている電線にネジが接触する可能性のある作業を行う場合は、電動工具を絶縁されたグリップ面で保持するようにしてください。ネジが通電しているケーブルと接触すると、本体の金属部分にも電圧がかかり、感電の危険があります。

2.3 スクリュードライバーに関するその他の安全上の注意

作業者に関する安全

- ▶ 本製品は、必ず技術的に問題のない状態で使用してください。
- ▶ 本体は決して加工や改造を加えないでください。
- ▶ 本体には一緒に納品された補助グリップを使用してください。これ以外のグリップを使用すると、コントロールを失ってけがをする恐れがあります。
- ▶ 本体は、常に両手でグリップを掴んでしっかりと保持してください。グリップは乾燥した清潔な状態を保ってください。
- ▶ 回転部品に触れないでください - 負傷の危険！
- ▶ 本体の使用中は、適切な保護メガネ、保護ヘルメット、耳栓、保護手袋および防じんマスクを着用してください。
- ▶ 保護手袋は先端工具の交換時にも着用してください。先端工具に触れると、切創事故や火傷の原因となることがあります。
- ▶ アイシールドを着用してください。破片が身体の一部、眼などを傷つけることもあります。
- ▶ 作業開始前に、作業場で発生する粉じんの危険有害度を調査してください。公的に承認された保護等級および地域の粉じんに関する規定を満たした工業用集じん機を使用してください。含鉛塗料、特定の種類の木材、コンクリート / 石材、石英を含む岩石、鉱物および金属などの母材から生じた粉じんは、健康を害する恐れがあります。
- ▶ 作業場の良好な換気に注意し、必要に応じてそれぞれの粉じんに適した防じんマスクを着用してください。作業者や近くにいる人が粉じんに触れたり吸い込んだりすると、アレルギー反応や呼吸器疾患を起こす可能性があります。カシヤブナ材などの特定の粉じんは、特に木材処理用の添加剤（クロム塩酸、木材保護剤）が使用されている場合、発ガン性があるとされています。アスベストが含まれる母材は、必ず専門家が取り扱うようにしてください。
- ▶ 休憩を取って、指を動かして血行を良くするように心がけてください。長時間作業の際には、振動により指、手あるいは手首の関節の血管あるいは神経系に障害が発生する可能性があります。

電気に関する安全注意事項

- ▶ 作業を開始する前に、作業領域に埋設された電線、ガス管や水道管がないかを調査してください。誤って電線を損傷すると、本体外側の金属部分により感電事故が発生する可能性があります。

電動工具の慎重な取扱いおよび使用

- ▶ 先端工具がブロックしたら直ちに電動工具をオフにします。本体は側方へとずらすことができます。
- ▶ 電動工具は停止するまで置かないでください。

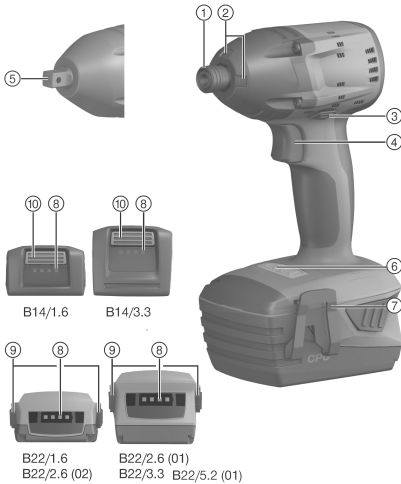
2.4 バッテリーの慎重な取扱いおよび使用

- ▶ Li-Ion バッテリーの搬送、保管、作動については特別規定を守ってください。
- ▶ バッテリーは高温、直射日光および火気を避けて保管してください。
- ▶ バッテリーを分解したり、挟んだり、80 °C 以上に加熱したり、燃やしたりしないでください。
- ▶ 衝撃を受けたことのあるバッテリー、1 m を超える高さから落下したことのあるバッテリー、あるいはその他の損傷を被っているバッテリーを使用あるいは充電しないでください。この場合には、必ず最寄りの Hilti サービスセンターにご連絡ください。
- ▶ バッテリーが掴むことのできないほどに熱くなっている場合は、故障している可能性があります。製品を監視可能な火気のない場所に可燃性の資材から十分に距離をとって置き、冷ましてください。この場合には、必ず最寄りの Hilti サービスセンターにご連絡ください。



3 製品の説明

3.1 製品概要 1



- ① 六角タイプ (SID)
- ② ライト
- ③ 正回転 / 逆回転切り替えスイッチ (スイッチ オンロック付き)
- ④ 無段変速スイッチ (回転数電子制御式)
- ⑤ 四角タイプ (SIW)
- ⑥ トルク切り替えスイッチ
- ⑦ ベルトフック (オプション)
- ⑧ バッテリー充電状態インジケーター
- ⑨ リリースボタン (バッテリー B22/...)
- ⑩ リリースボタン (バッテリー B14/...)

3.2 正しい使用

本書で説明している製品は、手持ち式の充電式インパクトドライバー / レンチです。ネジ、ナットおよびネジ付きボルトを木材、金属、石材およびコンクリートに締め付けたり緩めたりするのに適しています。このインパクトドライバー / レンチは、厳密な規定トルクが設定されていない用途にのみ使用できます。厳密な規定トルクが設定されている用途に使用した場合、過回転、ネジまたは作業材料が損傷する危険が生じます。

- ▶ 本製品には、必ずHiltiの B14 (SID/SIW 14-A) または B22 (SID/SIW 22-A) シリーズの Li-Ion バッテリーを使用してください。
- ▶ これらのバッテリーには、必ずHiltiの C4/36 シリーズの充電器を使用してください。

3.3 充電状態インジケーター

リリースボタンを軽く押すと (最大で抵抗を感じるまで)、Li-Ion バッテリーの充電状態が表示されます。

状態	意味
4 個の LED が点灯。	充電状態 : 75 %...100 %
3 個の LED が点灯。	充電状態 : 50 %...75 %
2 個の LED が点灯。	充電状態 : 25 %...50 %
1 個の LED が点灯。	充電状態 : 10 %...25 %
1 LED 点滅。	充電状態 : < 10 %

無段変速スイッチの操作中、およびこのスイッチから指を放してから 5 秒が経過するまでの間は、充電状態を確認することはできません。

3.4 本体標準セット構成

インパクトドライバー / レンチ、取扱説明書。

本製品向けに弊社が承認したスペアパーツ、消耗品およびアクセサリは、弊社営業担当または Hilti Store にお問い合わせいただくか、あるいは www.hilti.group | USA: www.hilti.com でご確認ください。



4 インパクトドライバー / レンチ

		SID 14-A	SIW 14-A
定格電圧		14.4 V	14.4 V
EPTA Procedure-01 準拠重量		1.6 kg	1.6 kg
無負荷回転数	位置 I	0/min ... 1,000/min	0/min ... 1,000/min
	位置 II	0/min ... 1,500/min	0/min ... 1,500/min
	位置 III	0/min ... 2,500/min	0/min ... 2,300/min
全負荷打撃数		≤ 3,100/min	≤ 3,400/min
トルク設定		3 段階	3 段階
普通ボルトサイズ		M8...M16	M8...M16
高力ボルトサイズ		M6...M12	M6...M12
チャック		ロックスリーブ付き $\frac{1}{4}$ " 六角タイプ	半球付き $\frac{1}{2}$ " 四角タイプ、またはロックリング付き $\frac{3}{8}$ " 四角タイプ
作動時の周囲温度		-17 °C ... 60 °C	-17 °C ... 60 °C
保管温度		-20 °C ... 70 °C	-20 °C ... 70 °C

		SID 22-A	SIW 22-A
定格電圧		21.6 V	21.6 V
EPTA Procedure-01 準拠重量		2.1 kg	2.1 kg
無負荷回転数	位置 I	0/min ... 1,000/min	0/min ... 1,000/min
	位置 II	0/min ... 1,500/min	0/min ... 1,500/min
	位置 III	0/min ... 2,500/min	0/min ... 2,300/min
全負荷打撃数		≤ 3,450/min	≤ 3,500/min
トルク設定		3 段階	3 段階
普通ボルトサイズ		M8...M16	M8...M16
高力ボルトサイズ		M6...M12	M6...M12
チャック		ロックスリーブ付き $\frac{1}{4}$ " 六角タイプ	半球付き $\frac{1}{2}$ " 四角タイプ、またはロックリング付き $\frac{3}{8}$ " 四角タイプ
作動時の周囲温度		-17 °C ... 60 °C	-17 °C ... 60 °C
保管温度		-20 °C ... 70 °C	-20 °C ... 70 °C

4.1 騒音および振動値について (EN 62841 準拠)

本説明書に記載されているサウンドプレッシャー値および振動値は、規格に準拠した測定方法に基づいて測定したものです。電動工具を比較するのにご使用いただけます。曝露値の暫定的な予測にも適しています。記載されているデータは、電動工具の主要な使用方法に対する値です。電動工具を他の用途で使用したり、異なる先端工具を取り付けて使用したり、手入れや保守が十分でないまま使用した場合には、データが異なることがあります。このような相違により、作業時間全体で曝露値が著しく高くなる可能性があります。曝露値を正確に予測するためには、本体のスイッチをオフにしている時間や、本体が作動していても実際には使用していない時間も考慮しなければなりません。このような相違により、作業時間全体で曝露値が著しく低くなる可能性があります。

作業者を騒音および / または振動による作用から保護するために、他にも安全対策を立ててください (例 : 電動工具および先端工具の手入れや保守、手を冷やさないようにする、作業手順の編成)。

騒音について

	SID 14-A	SIW 14-A	SID 22-A	SIW 22-A
サウンドパワーレベル (L_{WA})	94 dB(A)	94 dB(A)	97 dB(A)	97 dB(A)
サウンドパワーレベルの不確か性 (K_{WA})	3 dB(A)	3 dB(A)	3 dB(A)	3 dB(A)
排出サウンドプレッシャーレベル (L_{pA})	83 dB(A)	83 dB(A)	86 dB(A)	86 dB(A)
サウンドプレッシャーレベルの不確か性 (K_{pA})	3 dB(A)	3 dB(A)	3 dB(A)	3 dB(A)



合計振動値

	SID 14-A	SIW 14-A	SID 22-A	SIW 22-A
最大許容サイズのねじおよびナットの締め付け時に発生する振動値 (a _n)	7.5 m/s ²	7.5 m/s ²	11 m/s ²	11 m/s ²
最大許容サイズのねじおよびナットの締め付けの不確実性	1.5 m/s ²	1.5 m/s ²	1.5 m/s ²	1.5 m/s ²

4.2 トルク設定

トルク切替えスイッチの位置によりトルクを選択します。

モデル SID ...

SID 14-A
SID 22-A

		モデル	
		SID 14-A	SID 22-A
トルク	位置 I	50 Nm	60 Nm
	位置 II	100 Nm	110 Nm
	位置 III	150 Nm	165 Nm

モデル SIW ...

SIW 14-A
SIW 22-A

		SIW 14-A	
		半球付き 1/2" 四角タイプ	ロックリング付き 3/8" 四角タイプ
トルク	位置 I	80 Nm	65 Nm
	位置 II	120 Nm	115 Nm
	位置 III	185 Nm	160 Nm

		SIW 22-A	
		半球付き 1/2" 四角タイプ	ロックリング付き 3/8" 四角タイプ
トルク	位置 I	90 Nm	75 Nm
	位置 II	135 Nm	120 Nm
	位置 III	200 Nm	175 Nm

4.3 バッテリー 14.4 V

バッテリー作動電圧	14.4 V
周囲温度	-10 °C ... 60 °C
保管温度	-20 °C ... 40 °C

4.4 バッテリー 21.6 V

バッテリー作動電圧	21.6 V
周囲温度	-17 °C ... 60 °C
保管温度	-20 °C ... 40 °C



5 作業準備

注意

負傷の危険 意図しない始動!

- ▶ バッテリーを装着する前に、バッテリーを装着する製品のスイッチがオフになっていることを確認してください。
- ▶ 本体の設定、またはアクセサリーの交換の前にバッテリーを取り外してください。

本書および製品に記載されている安全上の注意と警告表示に注意してください。

5.1 バッテリーを充電する

1. 充電の前に充電器の取扱説明書をお読みください。
2. バッテリーと充電器の電気接点は汚れがなく、乾燥していることを確認してください。
3. バッテリーは許可された充電器で充電してください。

5.2 バッテリーを装着する

注意

負傷の危険 短絡あるいはバッテリーの落下!

- ▶ バッテリーを装着する前に、バッテリーの電気接点と製品の電気接点に異物がないことを確認してください。
- ▶ バッテリーが正しくロックされていることを常に確認してください。

1. はじめてお使いになる前にはバッテリーをフル充電してください。
2. ロックの音が聞こえるまでバッテリーを本体ホルダーに装着します。
3. バッテリーがしっかりと装着されていることを確認してください。

5.3 バッテリーを取り外す

1. バッテリーのリリースボタンを押します。
2. 本体からバッテリーを抜き取ります。

5.4 ベルトフックを取り付ける (オプション)

警告

負傷の危険 本体の落下による危険があります。

- ▶ 本体が落下してご自身あるいは他の方が怪我をする恐れがあります。作業を開始する前に、ベルトフックが確実に固定されていることを確認してください。



ベルトフックを使用すると、本体を作業ベルトに差し込んで保持することができます。ベルトフックは、体の右側で使用するようにも左側で使用するようにも取り付けすることができます。

1. バッテリーを取り外します。→ 頁 191
2. ベルトフックをドライバー脚部の開口部に差し込みます。
3. ベルトフックを2本のネジで固定します。

5.5 先端工具を取り付ける

SID 14-A
SID 22-A

1. 先端工具のコネクションエンドが汚れていないか点検します。
 - ▶ 必要に応じてコネクションエンドを清掃します。
2. 正回転 / 逆回転切り替えスイッチを中立位置にするか、またはバッテリーを本体から取り外します。
3. 先端工具をチャックのストップ位置まで差し込み、ロックさせます。
4. ご使用前に、先端工具がしっかりと正しく固定されているか点検してください。



5.6 先端工具を取り付ける 4

SIW 14-A
SIW 22-A

1. 先端工具のコネクションエンドが汚れていないか点検します。
 - ▶ 必要に応じてコネクションエンドを清掃します。
2. 正回転 / 逆回転切り替えスイッチを中立位置にするか、またはバッテリーを本体から取り外します。
3. 先端工具の横の穴をチャックの半球に合わせます。
4. ロックするまで先端工具をチェックに押し付けます。
5. ご使用前に、先端工具がしっかり正しく固定されているか点検してください。

5.7 先端工具を取り付ける 5

SIW 22-A

注意

正しくない先端工具による 負傷の危険！

- ▶ 必ずロック機能付きの先端工具を使用してください。
 - ▶ 摩耗または損傷した先端工具は使用しないでください。
1. 正回転 / 逆回転切り替えスイッチを中立位置にするか、またはバッテリーを本体から取り外します。
 2. Oリングをソケットの溝から取り外します。
 3. ロックピンを引き抜きます。
 4. ソケットを本体のドライブスピンドルに取り付けます。



ドライブスピンドルのロックリングの受け穴とソケットが合致することを確認します。

5. ロックピンをソケットに差し込みます。
6. Oリングをソケットに差し込みます。
7. ご使用前に、先端工具がしっかり正しく固定されているか点検してください。

6 ご使用方法

本書および製品に記載されている安全上の注意と警告表示に注意してください。

6.1 トルクを設定する 6

- ▶ トルク選択スイッチの左横に希望のトルク段階が表示されるまで、トルク選択スイッチを何回か押しします。

SID 14-A
SID 22-A

モデル SID ... → 頁 190

SIW 14-A
SIW 22-A

モデル SIW ... → 頁 190

6.2 正逆回転を設定する 7



モーター回転中は、ロック機能によりスイッチの切替ができなくなります。
中立の位置では、コントロールスイッチはブロックされます（スイッチオンロック）。

- ▶ 正回転 / 逆回転切り替えスイッチを希望の回転方向に設定します。

6.3 スイッチオン

- ▶ コントロールスイッチを押します。
 - ▶ 押し込みの深さにより回転数を制御できます。



6.4 ネジ締め

⚠ 注意

損傷した作業材料による負傷の危険！ トルクが高すぎるとネジまたは作業材料が損傷することがあります。これにより負傷事故が発生する危険があります。

▶ ネジと作業材料が本体の発生させるトルクに適したものであることを確認してください。

1. 正回転 / 逆回転切り替えスイッチを中立位置にするか、またはバッテリーを本体から取り外します。
2. トルク選択スイッチで希望のトルクを設定します。→ 頁 192

6.5 スイッチオフ

▶ コントロールスイッチから指を放します。

6.6 先端工具を取り外す 3

SID 14-A

SID 22-A

⚠ 注意

先端工具による負傷の危険！ 先端工具は熱くなっていたり、エッジが鋭くなっている場合があります。

▶ 本体の使用時および先端工具の交換時には保護手袋を着用してください。

1. 正回転 / 逆回転切り替えスイッチを中立位置にするか、またはバッテリーを本体から取り外します。
2. チャックのリングを前方へ引いて保持します。
3. 先端工具をチャックから引き抜いてください。
4. チャックのリングから手を放します。

6.7 先端工具を取り外す 9

SIW 14-A

SIW 22-A

⚠ 注意

先端工具による負傷の危険！ 先端工具は熱くなっていたり、エッジが鋭くなっている場合があります。

▶ 本体の使用時および先端工具の交換時には保護手袋を着用してください。

1. 正回転 / 逆回転切り替えスイッチを中立位置にするか、またはバッテリーを本体から取り外します。
2. 先端工具をチャックから引き抜いてください。

6.8 先端工具を取り外す 10

SIW 22-A

1. 正回転 / 逆回転切り替えスイッチを中立位置にするか、またはバッテリーを本体から取り外します。
2. Oリングをソケットの溝から取り外します。
3. ロックピンを外します。
4. ソケットを本体のドライブスピンドルから取り外します。
5. ロックピンを取り付けます。
6. 固定のためにOリングをソケットの溝に取り付けます。

7 手入れと保守

⚠ 警告

バッテリーを装着した状態における負傷の危険！

▶ 手入れや保守作業の前に必ずバッテリーを取り外してください！



本体の手入れ

- 強固に付着した汚れは慎重に除去してください。
- 通気溝を乾いたブラシで入念に清掃してください。
- ハウジングは必ず軽く湿らせた布で清掃してください。シリコンを含んだ清掃用具はプラスチック部品をいためる可能性があるので使用しないでください。

Li-Ion バッテリーの手入れ

- バッテリーは清潔に保ち、オイルやグリスで汚さないようにしてください。
- ハウジングは必ず軽く湿らせた布で清掃してください。シリコンを含んだ清掃用具はプラスチック部品をいためる可能性があるので使用しないでください。
- 湿気が入り込まないようにしてください。

保守

- 目視確認可能なすべての部品について損傷の有無を、操作エレメントについては問題なく機能することを定期的に点検してください。
- 損傷および / または機能に問題のある場合は、本製品を使用しないでください。直ちにHilti サービスセンターに修理を依頼してください。
- 手入れおよび保守作業の後は、すべての安全機構を取り付けて機能を点検してください。

i 安全な作動のために、必ず純正のスペアパーツと消耗品を使用してください。本製品向けに弊社が承認したスペアパーツ、消耗品およびアクセサリは、弊社営業担当またはHilti Storeにお問い合わせいただくか、あるいはwww.hilti.groupでご確認ください。

8 バッテリー装置の搬送および保管

搬送

⚠ 注意

搬送時の予期しない始動！

- ▶ お使いの製品は、必ずバッテリーを装着していない状態で搬送してください！
- ▶ バッテリーを取り外します。
- ▶ バッテリーは決して梱包しない状態で搬送しないでください。
- ▶ 本体とバッテリーを長距離にわたって搬送した後は、使用前に損傷がないかチェックしてください。

保管上の注意事項

⚠ 注意

故障したあるいは液漏れしたバッテリーによる予期しない損傷！

- ▶ お使いの製品は、必ずバッテリーを装着していない状態で保管してください！
- ▶ 本体とバッテリーは、できるだけ涼しくて乾燥した場所に保管してください。
- ▶ バッテリーを太陽の直射下、ラジエーターの上、窓際等で保管しないでください。
- ▶ 本体とバッテリーは、子供や権限のない人が手を触れることのないようにして保管してください。
- ▶ 本体とバッテリーを長期間にわたって保管した後は、使用前に損傷がないかチェックしてください。

9 故障時のヒント

この表に記載されていない、あるいはご自身で解消することのできない故障が発生した場合には、弊社営業担当またはHilti サービスセンターにご連絡ください。

9.1 故障時のヒント

故障	考えられる原因	解決策
本体が作動しない。	バッテリーが完全に装着されていない。	▶ バッテリーを装着します。 → 頁 191
	バッテリーが放電している。	▶ バッテリーを充電します。 → 頁 191
コントロールスイッチが押せない、あるいは動かない。	正回転 / 逆回転切り替えスイッチが中立位置。	▶ 正回転 / 逆回転切り替えスイッチを設定します。→ 頁 192
回転数が突然落ちる。	バッテリーが放電している。	▶ バッテリーを充電します。 → 頁 191



故障	考えられる原因	解決策
バッテリーの消耗が通常よりも早い。	周囲温度が低すぎる。	▶ バッテリーをゆっくり室温まで暖める。
バッテリーが「カチッカチ」と音がするまでロックされない。	バッテリーのロックノッチが汚れている。	▶ ロックノッチを清掃してバッテリーをロックする。問題が再発する場合はHilti サービスセンターに連絡する。
本体あるいはバッテリーが熱くなる。	電氣的故障。	▶ 本体の電源を直ちに切ってバッテリーを取り外して観察する。バッテリーを冷ましてHilti サービスセンターに連絡する。
	本体に負荷がかかり過ぎている（適用基準を超えている）。	▶ 用途に適した本体を選択する。

10 廃棄

Hilti 製品の大部分の部品はリサイクル可能です。リサイクル前にそれぞれの部品は分別して回収されなければなりません。多くの国でHiltiは、古い電動工具をリサイクルのために回収しています。詳細については弊社営業担当またはHilti 代理店・販売店にお尋ねください。

バッテリーを廃棄する

バッテリーを誤った方法で廃棄すると、漏出するガスあるいはバッテリー液により健康を損なう危険があります。

- ▶ 損傷したバッテリーを送付しないでください！
- ▶ 短絡を防止するために接続部を非導電性のもので覆ってください。
- ▶ バッテリーは子供が手を触れることのないように廃棄してください。
- ▶ バッテリーの廃棄は、最寄りのHilti Store あるいは適切な廃棄物処理業者に依頼してください。



- ▶ 電動工具、電子機器およびバッテリーを一般ゴミとして廃棄してはなりません！

11 RoHS (有害物質使用制限に関するガイドライン)

下記のリンクより、有害物質を記載した表を確認できます：qr.hilti.com/r4923、qr.hilti.com/r4922、qr.hilti.com/r4927 および qr.hilti.com/r4926。

本書の最終ページに RoHS 表にリンクした QR コードがあります。

12 メーカー保証

- ▶ 保証条件に関するご質問は、最寄りのHilti 代理店・販売店までお問い合わせください。

오리지널 사용 설명서

1 문서 관련 기재사항

1.1 본 문서에 대해

- 처음 사용하기 전에 본 문서 전체를 읽으십시오. 안전하게 작업하고 문제 없이 취급하기 위한 전제가 됩니다.
- 본 문서 및 제품에 나와 있는 안전 지침 및 경고 지침에 유의하십시오.
- 항상 제품에 있는 사용 설명서를 잘 보관하고 제품은 반드시 본 지침과 함께 다른 사람에게 전달하십시오.

1.2 기호 설명

1.2.1 경고사항

본 제품을 다루면서 발생할 수 있는 위험에 대한 경고사항. 다음과 같은 시그널 워드가 사용됩니다.



⚠ 위험

위험!

- ▶ 이 기호는 직접적인 위험을 표시합니다. 만약 지키지 않으면 심각한 부상을 당하거나 사망할 수도 있습니다.

⚠ 경고

경고!

- ▶ 이 기호는 잠재적인 위험을 표시합니다. 만약 지키지 않으면 심각한 부상을 당하거나 사망할 수도 있습니다.

⚠ 주의

주의!

- ▶ 이 기호는 특별히 중요한 안전상의 주의사항을 표시합니다. 만약 지키지 않으면, 심각한 부상 또는 물적 손실을 입을 수 있습니다.

1.2.2 문서에 사용된 기호

본 문서에서 사용되는 기호는 다음과 같습니다.



사용하기 전에 사용설명서를 읽으십시오.



적용 지침 및 기타 유용한 사용정보



재사용이 가능한 자재 취급방법



전기 기기 및 배터리를 일반 가정의 쓰레기처럼 폐기해서는 안 됨

1.2.3 그림에 사용된 기호

다음과 같은 기호가 그림에 사용됩니다.



이 숫자는 본 설명서의 첫 부분에 있는 해당 그림을 나타냅니다.



매겨진 숫자는 작업 단계의 순서를 나타내며, 텍스트에 매겨진 작업 단계와 차이가 있을 수 있습니다.



항목 번호는 개요 그림에서 사용되며, 제품 개요 단락에 나와 있는 기호 설명 번호를 나타냅니다.



이 표시는 제품을 다룰 때, 특별히 주의할 사항을 나타냅니다.

1.3 제품 관련 기호

1.3.1 제품에 사용된 기호

제품에 사용되는 기호는 다음과 같습니다.



함마링 컷아웃



함마드릴링

/min

분당 회전수

n_0

무부하 회전속도



직류

Li-Ion

리튬이온 배터리



사용한 Hilti 리튬이온 배터리 모델 시리즈. 규정에 맞는 사용 단원에 제시된 내용에 유의하십시오.



	본 기기는 iOS 및 Android 플랫폼과 호환 가능한 NFC 기술을 지원합니다.
	배터리는 절대 타격 공구로 사용해서는 안 됩니다.
	배터리를 떨어뜨리지 마십시오. 타격을 받은 적이 있거나 다른 손상이 있는 배터리는 사용하지 마십시오.

1.4 제품 정보

Hilti 제품은 전문가용으로 설계되어 있으며, 해당 교육을 이수한 공인된 작업자를 통해서만 조작, 유지 보수 및 수리 작업을 진행할 수 있습니다. 이 기술자는 발생할 수 있는 위험에 대해 특별 교육을 받은 상태여야 합니다. 교육을 받지 않은 사람이 제품을 부적절하게 취급하거나 규정에 맞지 않게 사용할 경우에는 기기와 그 보조기구에 의해 부상을 당할 위험이 있습니다.

형식 명칭 및 일련 번호는 형식 라벨에 제시되어 있습니다.

- ▶ 일련 번호를 다음의 표에 옮기십시오. 대리점 또는 서비스 센터에 문의할 경우 제품 제원이 필요합니다.

제품 제원

충전 드릴 드라이버	SID 14-A, SID 22-A
충전 임팩트 렌치	SIW 14-A, SIW 22-A
세대:	01
일련번호:	

1.5 적합성 선언

폐사는 전적으로 책임을 지고 여기에 기술된 제품이 통용되는 기준과 규격에 일치함을 공표합니다. 적합성 증명서 사본은 본 문서 끝 부분에서 확인할 수 있습니다.

기술 문서는 이곳에 기술되어 있습니다.

Hilti Entwicklungsgesellschaft mbH | Zulassung Geräte | Hiltistraße 6 | 86916 Kaufering, DE

2 안전

2.1 전동 공구에 대한 일반적인 안전상의 주의사항

⚠ 경고 해당 전동 공구와 함께 동봉된 모든 안전상의 주의 사항, 지침, 그림 및 기술자료를 숙지하십시오. 다음과 같은 지침 내용을 준수하지 않으면 전기 충격, 화재가 발생하거나 그리고/또는 중상을 입을 수 있습니다. 앞으로 모든 안전상의 주의사항과 지침을 보관하십시오.

안전상의 주의사항에서 사용되는 "전동 공구"라는 개념은 전원에 연결하여 사용하는 전동 공구(전원 케이블 있음) 또는 배터리를 사용하는 전동 공구(전원 케이블 없음)를 의미합니다.

작업장 안전수칙

- ▶ 작업장을 항상 깨끗이 하고 조명이 잘 들도록 하십시오. 어수선한 작업환경 또는 어두운 작업장은 사고를 초래할 수 있습니다.
- ▶ 인화성 액체, 가스 또는 먼지가 있어 폭발 위험이 있는 환경에서는 전동 공구를 사용하지 마십시오. 전동 공구는 먼지나 증기를 점화시킬 수 있는 스파크를 일으킵니다.
- ▶ 전동 공구를 사용할 때, 어린이들이나 다른 사람들이 작업장에 접근하지 못하도록 하십시오. 다른 사람의 방해로 인해 기기를 통제하기 어렵습니다.

전기에 관한 안전수칙

- ▶ 전동 공구의 전원 플러그가 소켓에 잘 끼워져야 합니다. 플러그를 절대 변형시켜서는 안됩니다. 접지된 전동 공구와 함께 아답타 플러그를 사용하지 마십시오. 변형되지 않은 플러그와 적합한 소켓을 사용하면 감전의 위험을 줄일 수 있습니다.
- ▶ 파이프, 히터, 전기레인지, 냉장고와 같은 접지 표면에 신체 접촉을 피하십시오. 신체에 닿을 경우 감전될 위험이 높습니다.
- ▶ 전동 공구가 비에 맞지 않도록 하고 습한 장소에 두지 마십시오. 전동 공구에 물이 들어가면 감전될 위험이 높습니다.
- ▶ 전원 케이블만 잡고 전동 공구를 운반하거나 걸어 놓아서는 안되며, 소켓에서 전원 플러그를 빼낼 때 케이블만 잡은 채로 빼내지 마십시오. 전원 케이블이 열, 오일, 날카로운 모서리 또는 부품의 가동 부위에 접촉하지 않도록 주의하십시오. 손상되거나 서로 꼬인 전원 케이블은 감전 위험을 높입니다.
- ▶ 실외에서 전동 공구를 이용하여 작업할 때, 실외용으로 승인된 연장 케이블만 사용하십시오. 실외용 연장 케이블을 사용하면 감전의 위험을 줄여줍니다.



- ▶ 전동 공구를 습한 환경에서 사용하는 것을 피할 수 없을 경우, 누전 차단기를 사용하십시오. 누전 차단기를 사용하면 감전 위험을 줄일 수 있습니다.

사용자 안전수칙

- ▶ 신중하게 작업하십시오. 작업에 정신을 집중하고 전동 공구를 사용할 때 경솔하게 행동하지 마십시오. 피곤하거나 항정신성 약물, 술 또는 약을 복용시에는 전동 공구를 사용하지 마십시오. 전동 공구 사용 시 이에 유의하지 않을 경우 심각한 부상을 초래할 수 있습니다.
- ▶ 안전 장비를 갖추고 보안경을 착용하십시오. 전동 공구의 종류와 사용에 따라, 먼지 보호 마스크, 미끄럼 방지용 안전 신발, 안전모 또는 귀마개 등과 같은 안전한 보호장비를 착용하면 부상의 위험을 줄일 수 있습니다.
- ▶ 실수로 기기가 작동하지 않도록 주의하십시오. 전동 공구를 전원 그리고/또는 배터리에 연결하기 전, 보관 또는 운반 전에 전동 공구가 스위치 OFF 상태인지 확인하십시오. 전동 공구 운반 시 스위치에 손가락을 대거나 스위치가 켜진 상태에서 전원을 연결하면 사고를 유발할 수 있습니다.
- ▶ 전동 공구의 스위치를 켜기 전, 조정공구 또는 렌치를 제거하십시오. 기기 회전부에 남아있는 공구나 렌치로 인해 부상을 입을 수 있습니다.
- ▶ 작업 시 비정상적인 자세는 피하십시오. 안전한 작업자세가 되도록 하고, 항상 균형을 유지하십시오. 이렇게 하여 예기치 않은 상황에서도 전동 공구를 잘 제어할 수 있습니다.
- ▶ 적합한 작업복을 착용하십시오. 헐렁한 복장이나 장식품을 착용하지 마십시오. 작동하는 기기 가동 부위에 머리, 옷 그리고 장갑이 가까이 닿지 않도록 주의하십시오. 헐렁한 복장, 장식품 혹은 긴 머리가 가동 부위에 말려 들어갈 수 있습니다.
- ▶ 먼지 제거장치나 수거장치를 설치할 수 있는 기기의 경우, 이 장치들이 연결되어 있는지 그리고 제대로 작동되는지를 확인하십시오. 먼지 포집장치 사용은 먼지로 인한 위험을 줄여줄 수 있습니다.
- ▶ 이 전동 공구를 여러번 사용해왔다고 해서 안전하다고 안심하지 말고 전동 공구에 해당되는 안전 규칙을 무시하지 마십시오. 부주의하게 행할 경우 아주 짧은 순간에 중상을 입을 수 있습니다.

전동 공구의 취급과 사용

- ▶ 기기에 과부하가 걸리지 않도록 하십시오. 귀하의 작업에 적합한 전동 공구를 사용하십시오. 적합한 전동 공구를 사용하면, 지정된 성능 한도 내에서 더 효율적으로 안전하게 작업할 수 있습니다.
- ▶ 스위치가 고장난 전동 공구는 사용하지 마십시오. 스위치가 작동되지 않는 전동 공구는 위험하므로, 반드시 수리를 해야 합니다.
- ▶ 기기 세팅을 실행, 액세서리를 교환 또는 기기를 보관하기 전에 컨택터를 전원소켓에서 그리고/또는 탈착식 배터리를 기기에서 빼놓으십시오. 이러한 조치는 실수로 전동 공구가 작동하지 않도록 방지합니다.
- ▶ 사용하지 않는 전동 공구는 어린이들의 손이 닿지 않는 곳에 보관하십시오. 기기 사용에 익숙치 않거나 또는 이 안전수칙을 읽지 않은 사람이 기기를 사용해서는 안 됩니다. 비숙련자가 전동 공구를 사용하면 위험합니다.
- ▶ 전동 공구 및 액세서리를 유의해서 관리하십시오. 기기의 가동 부위가 완벽하게 작동하는지, 끼어 있지 않은지, 혹은 부품이 손상되거나 파손되어 있어 전동 공구의 기능을 저하시키지 않는지 점검하십시오. 기기 사용 전 손상된 부품을 수리하도록 하십시오. 제대로 관리되지 않은 전동 공구는 많은 사고를 유발합니다.
- ▶ 절단기기는 날카롭고 깨끗하게 관리하십시오. 날카로운 절단면이 있고 잘 관리된 절단기기는 끼이는 경우가 드물고 조절하기도 쉽습니다.
- ▶ 본 지침에 따라 전동 공구, 액세서리, 공구 비트 등을 사용하십시오. 이 때 작업 조건과 실시하려는 작업 내용을 고려하십시오. 원래 사용 분야가 아닌 다른 작업에 전동 공구를 사용할 경우, 위험한 상황을 초래할 수 있습니다.
- ▶ 손잡이 및 손잡이 표면은 건조하고 깨끗하게, 그리고 오일과 그리스가 묻어있지 않도록 해야 합니다. 미끄러운 손잡이 및 손잡이 표면은 예상치 못한 상황에서 전동 공구를 안전하게 조작하고 제어할 수 없습니다.

배터리 공구의 취급과 사용

- ▶ 제조회사가 권장한 충전기에만 배터리를 충전시키십시오. 특정한 형식의 배터리를 사용하도록 규정되어 있는 충전기에 다른 배터리를 사용할 경우 화재 발생의 위험이 있습니다.
- ▶ 전동 공구에 적합하게 규정된 배터리만 사용하십시오. 다른 배터리를 사용하면 부상을 입을 수 있고, 화재가 발생할 수 있습니다.
- ▶ 배터리를 사용하지 않을 경우 클립, 동전, 키, 못, 나사 또는 다른 소형 금속 물질로부터 사용하지 않는 배터리를 멀리 떨어뜨려 놓아주십시오. 배터리 간 단락으로 인한 연소 또는 화재를 초래할 수 있습니다.
- ▶ 잘못 사용할 경우, 배터리로부터 전해액이 흘러나올 수 있습니다. 전해액을 직접 만지지 마십시오. 실수로 만졌을 경우, 물로 씻으십시오. 전해액이 눈에 들어갔으면, 의사와 상담하십시오. 배터리로부터 흘러나온 전해액은 피부를 손상시킬 수 있으며, 화재를 발생시킬 수 있습니다.
- ▶ 손상된 배터리 또는 변경된 배터리를 사용하지 마십시오. 손상된 배터리 또는 변경된 배터리는 예상치 못한 상황 및 화재, 폭발 또는 부상 위험을 초래할 수 있습니다.
- ▶ 배터리에서 불꽃이 발생하거나 또는 배터리가 너무 높은 온도에 노출되지 않게 하십시오. 불꽃 또는 온도가 130°C (265°F)를 넘으면 폭발을 일으킬 수 있습니다.



- ▶ 충전에 관한 모든 지침을 준수하여 배터리 또는 배터리를 절대 사용 설명서에 제시된 범위를 벗어난 온도에서 충전하지 마십시오. 잘못 충전하거나 허용된 범위를 벗어난 온도에서 충전하면 배터리가 파손되어 화재 발생 위험이 높아질 수 있습니다.

서비스

- ▶ 전동 공구는 반드시 자격을 갖춘 전문가에 의해 그리고 순정 대체부품만 이용하여 수리해야 합니다. 이렇게 하여 기기의 안전성을 계속해서 유지할 수 있습니다.
- ▶ 손상된 배터리를 절대 수리하지 마십시오. 배터리 수리는 제조회사 또는 권한을 위임받은 고객 서비스 센터에서만 이루어져야 합니다.

2.2 스크류 드라이버 및 임팩트 렌치용 안전상의 주의사항

- ▶ 숨겨진 전선에 스크류가 접촉할 수 있는 작업을 실행할 경우, 항상 전동 공구의 절연된 손잡이 부분을 잡으십시오. 전류가 흐르는 전선과 스크류가 접촉하면 전동공구의 금속 부위를 통해 또한 감전이 될 수 있습니다.

2.3 그 외 스크류 드라이버에 관한 안전상의 주의사항

사용자 안전수칙

- ▶ 기술적 하자가 없는 상태에서만 제품을 사용하십시오.
- ▶ 어떠한 경우에도 기기를 무단 변경 또는 개조하지 마십시오.
- ▶ 기기와 함께 공급된 보조 손잡이를 사용하십시오. 기기를 제어하지 못하면 부상을 입을 수 있습니다.
- ▶ 항상 양 손으로 기기의 손잡이를 잡고 공구를 고정시키십시오. 손잡이는 건조하고 깨끗하게 유지하십시오.
- ▶ 회전하는 부품에 접촉하지 않도록 하십시오. - 부상 위험!
- ▶ 기기를 사용하는 동안 적합한 보안경, 안전모, 귀마개, 보호장갑, 안전화 및 보호 마스크를 착용해야 합니다.
- ▶ 공구 교체 시에도 보호장갑을 착용하십시오. 공구 비트에 닿으면 부상을 입거나 화상을 당할 수 있습니다.
- ▶ 보안경을 착용하십시오. 재료의 파편으로 인해 눈 등 신체에 부상을 입을 수 있습니다.
- ▶ 작업을 시작하기 전, 작업 시 발생하는 먼지의 위험 등급을 알아보십시오. 해당 국가의 먼지 방지 규정에 적합하며, 공식적으로 허용된 보호 등급의 산업용 진공 청소기만을 사용하십시오. 낱이 함유된 도로, 일부 목재, 콘크리트/조적벽돌/수정을 함유한 암석 및 금속과 같은 광물질로부터 나오는 먼지는 건강에 해로울 수 있습니다.
- ▶ 작업장을 잘 환기시키고 먼지의 종류에 따라 필요 시 보호마스크를 착용하십시오. 먼지를 흡입하거나 만질 경우, 사용자 또는 근처에 있는 사람에게 기관지 질병이나 알레르기 반응이 나타날 수 있습니다. 땀이나 무 입자 또는 너도밤나무 입자와 같은 특정 종류의 먼지는, 특히 목재 처리용으로 사용하는 첨가제(크롬산염, 목재 부식 방지제)와 결합하여 암을 일으킬 수 있습니다. 석면 물질은 전문가에서만 다룰 수 있습니다.
- ▶ 손가락의 혈액순환이 잘 되도록 하기 위해 휴식시간 동안 손가락 운동을 하십시오. 장시간 작업하면 진동으로 인해 혈관 장애 또는 손가락, 손 및 손목의 신경 체계에 이상이 있을 수 있습니다.

전기에 관한 안전수칙

- ▶ 작업을 시작하기 전에, 작업장에서 가려져 있거나 덮혀 있는 전기 배선, 가스 파이프 그리고 하수도관이 있는지를 점검하십시오. 실수로 전기 케이블을 손상시킨 경우, 기기 바깥쪽에 있는 금속 부품에서 전기 쇼크를 일으킬 수 있습니다.

전동 공구의 올바른 사용방법과 취급방법

- ▶ 전동공구가 블로킹된 경우 즉시 전동공구의 스위치를 끄십시오. 기기가 옆으로 기울어질 수 있습니다.
- ▶ 전동공구를 내려놓기 전에 전동공구가 완전히 정지할 때까지 기다리십시오.

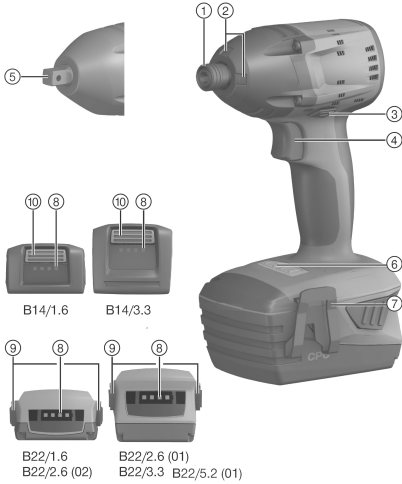
2.4 배터리의 올바른 사용방법과 취급방법

- ▶ 리튬 이온 배터리의 운반, 보관 및 사용에 대한 특수 지침에 유의하십시오.
- ▶ 배터리를 고열, 직사광선 및 화염 근처에 두지 마십시오.
- ▶ 배터리를 분해하거나 강한 압력 또는 80°C 이상의 열을 가하거나 연소시켜서는 안 됩니다.
- ▶ 충격을 받은 적이 있거나, 1미터가 넘는 높이에서 떨어진 적이 있거나 혹은 다른 방식으로 손상된 배터리는 절대 사용하거나 충전하지 마십시오. 이러한 경우 항상 Hilti 서비스 센터로 문의해 주시기 바랍니다.
- ▶ 배터리를 잡기에 너무 뜨거운 경우에는 고장일 수 있습니다. 가연성 소재와 충분한 간격을 유지하면서, 관찰이 가능한 비연소 장소에 제품을 설치하고 제품을 냉각시키십시오. 이러한 경우 항상 Hilti 서비스 센터로 문의해 주시기 바랍니다.



3 제품 설명

3.1 제품 개요



- ① 내부육각 (SID)
- ② 조명
- ③ 정회전/역회전 스위치, 스위치ON로크 있음
- ④ 킷트롤 스위치(회전속도 전자제어기능 포함)
- ⑤ 외부 4각 (SIW)
- ⑥ 토크 선택스위치
- ⑦ 벨트 후크 (선택사양)
- ⑧ 배터리 충전상태 디스플레이
- ⑨ 로크 해제 버튼 (배터리 B22/...)
- ⑩ 로크 해제 버튼 (배터리 B14/...)

3.2 규정에 맞는 사용

기술된 제품은 배터리 구동식 소형 임팩트 렌치입니다. 본 제품은 목재, 금속, 조적벽돌 및 콘크리트에서 나사 연결부, 나사산이 있는 볼트와 너트를 조이고 푸는 용도로 사용됩니다.

본 임팩트 렌치는 정확한/특정 토크가 요구되는 작업에 사용해서는 안 됩니다. 그렇지 않을 경우, 과회전 위험이 있으며 스크류 또는 작업물이 손상될 수 있습니다.

- ▶ 본 제품에는 모델시리즈 B14 (SID/SIW 14-A) 또는 B22 (SID/SIW 22-A)의 **Hilti** 리튬 이온 배터리만 사용하십시오.
- ▶ 이 배터리에는 **Hilti** 충전기 C4/36 시리즈만 사용하십시오.

3.3 충전상태 디스플레이

리튬 이온 배터리의 충전상태는 (저항이 느껴질 때까지 최대로) 로크 해제 버튼을 약간 누르면 표시됩니다.

상태	의미
4개 LED 점등됨.	충전 상태: 75 % ~ 100 %
3개 LED 점등됨.	충전 상태: 50 % ~ 75 %
2개 LED 점등됨.	충전 상태: 25 % ~ 50 %
1개 LED 점등됨.	충전 상태: 10 % ~ 25 %
1개 LED 깜박임.	충전 상태: < 10 %

i 킷트롤 스위치가 조작된 상태에서 킷트롤 스위치에서 손을 뗀 후 5초까지는 충전상태를 조회해볼 수 있습니다.

3.4 공급품목

임팩트 렌치, 사용 설명서.

i 해당 제품에 허용되는 예비 부품, 소모품 및 액세서리는 **Hilti Store** 또는 에서 확인할 수 있습니다.
www.hilti.group | 미국: www.hilti.com



4 임팩트 렌치

		SID 14-A	SIW 14-A
정격 전압		14.4V	14.4V
EPTA Procedure-01에 따른 중량		1.6kg	1.6kg
무부하 회전속도	위치 I	0/min ... 1,000/min	0/min ... 1,000/min
	위치 II	0/min ... 1,500/min	0/min ... 1,500/min
	위치 III	0/min ... 2,500/min	0/min ... 2,300/min
타격 속도		≤ 3,100/min	≤ 3,400/min
토크 조정		3 단계	3 단계
표준 나사 사이즈		M8 - M16	M8 - M16
대형 고정력 볼트		M6 - M12	M6 - M12
척 어댑터		1/4" 내부육각, 고정 슬리브 포함	1/2" 외부 4각, 반구 포함 또는 3/8" 외부 4각, 고정 링 포함
작동 시 주변 온도		-17 °C ... 60 °C	-17 °C ... 60 °C
보관 온도		-20 °C ... 70 °C	-20 °C ... 70 °C

		SID 22-A	SIW 22-A
정격 전압		21.6V	21.6V
EPTA Procedure-01에 따른 중량		2.1kg	2.1kg
무부하 회전속도	위치 I	0/min ... 1,000/min	0/min ... 1,000/min
	위치 II	0/min ... 1,500/min	0/min ... 1,500/min
	위치 III	0/min ... 2,500/min	0/min ... 2,300/min
타격 속도		≤ 3,450/min	≤ 3,500/min
토크 조정		3 단계	3 단계
표준 나사 사이즈		M8 - M16	M8 - M16
대형 고정력 볼트		M6 - M12	M6 - M12
척 어댑터		1/4" 내부육각, 고정 슬리브 포함	1/2" 외부 4각, 반구 포함 또는 3/8" 외부 4각, 고정 링 포함
작동 시 주변 온도		-17 °C ... 60 °C	-17 °C ... 60 °C
보관 온도		-20 °C ... 70 °C	-20 °C ... 70 °C

4.1 EN 62841에 따른 소음 정보 및 진동값

이 치함에 제시된 음압 및 진동수준은 표준화된 측정방법에 따라 측정된 것이며, 전동 공구를 서로 비교하기 위한 용도로 사용할 수 있습니다. 음압 및 진동 수준은 노출 정도를 사전에 예측하는 데에도 유용하게 사용할 수 있도록 설계되어 있습니다.

제시된 데이터는 전동 공구의 주된 용도를 나타냅니다. 그러나 전동 공구를 다른 용도로 사용하거나 다른 공구 비트를 사용할 경우 또는 유지보수를 충분히 하지 않은 상태에서는 데이터에 편차가 있을 수 있습니다. 이러한 경우 전 작업시간에 걸쳐 노출이 현저하게 증가할 수 있습니다.

노출을 정확하게 평가하기 위해서는 기기 작동이 멈춰 있거나 또는 작동 중이지만 실제로는 사용하지 않는 시간도 고려해야 합니다. 이러한 경우 전 작업시간에 걸쳐 노출이 현저하게 감소할 수 있습니다.

사용자를 보호하기 위해 음파 그리고/또는 진동이 작용하기 전에 다음과 같은 추가적인 안전 조치를 취하십시오. 전동 공구와 공구 비트의 유지보수, 손을 따뜻하게 유지, 작업순서 정하기 등.

소음정보

	SID 14-A	SIW 14-A	SID 22-A	SIW 22-A
소음 수준 (L _{WA})	94dB(A)	94dB(A)	97dB(A)	97dB(A)
소음 출력 수준 허용공차 (K _{WA})	3dB(A)	3dB(A)	3dB(A)	3dB(A)
음압 수준 (L _{pA})	83dB(A)	83dB(A)	86dB(A)	86dB(A)
소음 수준 허용공차 (K _{pA})	3dB(A)	3dB(A)	3dB(A)	3dB(A)



진동 총 값

	SID 14-A	SIW 14-A	SID 22-A	SIW 22-A
진동 배출값 허용되는 최대 크기의 볼트 및 너트 조임 (a_n)	7.5m/s ²	7.5m/s ²	11m/s ²	11m/s ²
볼트 및 너트 조임 허용공차 최대 허용 크기	1.5m/s ²	1.5m/s ²	1.5m/s ²	1.5m/s ²

4.2 토크 설정

토크 선택 스위치의 위치를 통해 토크가 정해집니다.

모델 SID ...

SID 14-A
SID 22-A

		모델	
		SID 14-A	SID 22-A
토크	위치 I	50Nm	60Nm
	위치 II	100Nm	110Nm
	위치 III	150Nm	165Nm

모델 SIW ...

SIW 14-A
SIW 22-A

		SIW 14-A	
		1/2" 외부 4각, 반구 포함	3/8" 외부 4각, 고정 링 포함
토크	위치 I	80Nm	65Nm
	위치 II	120Nm	115Nm
	위치 III	185Nm	160Nm

		SIW 22-A	
		1/2" 외부 4각, 반구 포함	3/8" 외부 4각, 고정 링 포함
토크	위치 I	90Nm	75Nm
	위치 II	135Nm	120Nm
	위치 III	200Nm	175Nm

4.3 배터리 14.4 V

배터리 모드 전압	14.4V
주변 온도	-10 °C ... 60 °C
보관 온도	-20 °C ... 40 °C

4.4 배터리 21.6 V

배터리 모드 전압	21.6V
주변 온도	-17 °C ... 60 °C
보관 온도	-20 °C ... 40 °C

5 작업 준비

⚠ 주의

돌발적인 작동으로 인한 부상 위험!

- ▶ 배터리를 끼우기 전에 해당 제품의 전원이 꺼져 있는지 확인하십시오.
- ▶ 기기 설정 또는 액세서리를 교체하기 전에 배터리를 제거하십시오.

본 문서 및 제품에 나와 있는 안전 지침 및 경고 지침에 유의하십시오.



5.1 배터리 충전

1. 충전하기 전에 충전기의 사용 설명서를 읽으십시오.
2. 배터리 및 충전기의 접점이 청결하고 건조한 상태인지 확인하십시오.
3. 허용되는 충전기에서 배터리를 충전하십시오.

5.2 배터리 삽입

주의

단락 또는 배터리 낙하로 인한 부상 위험!

- ▶ 배터리를 끼우기 전에 배터리의 접점 및 제품의 접점에 이물질이 남아 있지 않은지 확인하십시오.
- ▶ 배터리가 제대로 고정되었는지 확인하십시오.

1. 처음으로 사용하기 전, 배터리를 완전히 충전하십시오.
2. 잠기는 소리가 들릴 때까지 배터리를 기기 홀더 안에 끼우십시오.
3. 배터리가 정확하게 설치되어 있는지 점검하십시오.

5.3 배터리 제거

1. 배터리의 잠금 해제 버튼을 누르십시오.
2. 배터리를 기기에서 빼내십시오.

5.4 벨트 후크 조립 (선택사양)

경고

부상위험 기기가 떨어지면서 발생하는 위험.

- ▶ 기기가 떨어질 경우 작업자 및 다른 사람이 다칠 수 있습니다. 작업 시작 전 벨트 후크가 확실하게 고정되었는지 점검하십시오.



벨트 후크로 기기를 신체에 밀착시켜 벨트에 고정시킬 수 있습니다. 벨트 후크는 우측 및 좌측에 착용할 수 있도록 조립할 수 있습니다.

1. 배터리를 제거하십시오. → 페이지 203
2. 벨트 후크를 스크류 드라이버 하단 개구부에 끼우십시오.
3. 벨트 후크를 두 개의 볼트로 고정시킵니다.

5.5 공구 비트 장착

SID 14-A
SID 22-A

1. 공구 비트의 연결 끝이 깨끗한지 점검하십시오.
 - ▶ 필요에 따라 연결 끝 부위를 닦아주십시오.
2. 정회전/역회전 스위치를 중간 위치로 조정하거나 또는 배터리를 기기로부터 분리하십시오.
3. 공구 비트를 스톱위치까지 척 아답타에 끼우고 장착하십시오.
4. 처음 사용하기 전에 공구 비트가 정확한 위치에 단단하게 설치되었는지 확인하십시오.

5.6 공구 비트 장착

SIW 14-A
SIW 22-A

1. 공구 비트의 연결 끝이 깨끗한지 점검하십시오.
 - ▶ 필요에 따라 연결 끝 부위를 닦아주십시오.
2. 정회전/역회전 스위치를 중간 위치로 조정하거나 또는 배터리를 기기로부터 분리하십시오.
3. 공구 비트에서 측면 구멍을 척 아답타의 반구에 맞춰 정렬하십시오.
4. 공구 비트가 척 아답타에 맞물려 고정될 때까지 누르십시오.
5. 처음 사용하기 전에 공구 비트가 정확한 위치에 단단하게 설치되었는지 확인하십시오.



5.7 공구 비트 장착

SIW 22-A

주의

부상위험 잘못된 공구로 인한 부상위험

- ▶ 잠금장치가 있는 공구만 사용하십시오.
- ▶ 마모되거나 손상된 공구를 사용하지 마십시오.

1. 정회전/역회전 스위치를 중간 위치로 조정하거나 또는 배터리를 기기로부터 분리하십시오.
2. O-링을 소켓의 홈에서 제거하십시오.
3. 로킹핀을 당겨서 빼십시오.
4. 소켓을 기기의 4각 드라이브 위에 끼우십시오.



4각 드라이브와 소켓의 고정링 천공이 일치하도록 유의하십시오.

5. 로킹핀을 소켓에 끼우십시오.
6. O-링을 소켓에 끼우십시오.
7. 처음 사용하기 전에 공구 비트가 정확한 위치에 단단하게 설치되었는지 확인하십시오.

6 조작

본 문서 및 제품에 나와 있는 안전 지침 및 경고 지침에 유의하십시오.

6.1 토크 설정

- ▶ 토크 선택 스위치 옆 좌측에 원하는 토크가 표시될 때까지 토크 선택 스위치를 누르십시오.

SID 14-A
SID 22-A

모델 SID ... → 페이지 202

SIW 14-A
SIW 22-A

모델 SIW ... → 페이지 202

6.2 정회전/역회전 방향 설정



잠금기능은 모터가 작동하는 동안 절환되는 것을 방지합니다.
중간 위치에서는 컨트롤 스위치가 블로킹됩니다(스위치ON로크).

- ▶ 정회전/역회전 스위치를 원하는 회전 방향으로 설정하십시오.

6.3 스위치 ON

- ▶ 컨트롤 스위치를 누르십시오.
 - ▶ 누르는 깊이를 통해 회전 속도를 제어할 수 있습니다.

6.4 스크류 작업

주의

손상된 공작물로 인한 부상 위험! 토크가 너무 높으면 볼트 또는 작업물이 손상될 수 있으며, 이는 부상을 야기할 수 있습니다.

- ▶ 스크류와 작업물이 기기로부터 생성되는 토크에 적합한지 확인하십시오.

1. 정회전/역회전 스위치를 중간 위치로 조정하거나 또는 배터리를 기기로부터 분리하십시오.
2. 토크 선택 스위치에서 원하는 토크를 설정하십시오. → 페이지 204



6.5 스위치 OFF

- ▶ 컨트롤 스위치에서 손을 떼십시오.

6.6 공구 비트 분리

SID 14-A
SID 22-A

주의

공구 비트로 인한 부상 위험! 공구 비트가 뜨겁거나 모서리가 날카로울 수 있습니다.

- ▶ 기기 사용 시 및 공구 비트 교체 시 보호장갑을 착용하십시오.

1. 정회전/역회전 스위치를 중간 위치로 조정하거나 또는 배터리를 기기로부터 분리하십시오.
2. 척 아답타의 링을 앞쪽으로 당겨 움직이지 않게 잡고 있으십시오.
3. 공구 비트를 잡아 당겨서 척 아답타에서 빼내십시오.
4. 척 아답타의 링에서 손을 떼십시오.

6.7 공구 비트 분리

SIW 14-A
SIW 22-A

주의

공구 비트로 인한 부상 위험! 공구 비트가 뜨겁거나 모서리가 날카로울 수 있습니다.

- ▶ 기기 사용 시 및 공구 비트 교체 시 보호장갑을 착용하십시오.

1. 정회전/역회전 스위치를 중간 위치로 조정하거나 또는 배터리를 기기로부터 분리하십시오.
2. 공구 비트를 잡아 당겨서 척 아답타에서 빼내십시오.

6.8 공구 비트 분리

SIW 22-A

1. 정회전/역회전 스위치를 중간 위치로 조정하거나 또는 배터리를 기기로부터 분리하십시오.
2. O-링을 소켓의 홈에서 제거하십시오.
3. 로킹핀을 당겨서 빼십시오.
4. 기기의 4각 드라이브에서 소켓을 제거하십시오.
5. 로킹핀을 조립하십시오.
6. 소켓에 고정할 수 있도록 O-링을 조립하십시오.

7 관리 및 유지보수

경고

배터리가 끼워진 상태에서 부상 위험!

- ▶ 관리 및 수리 작업을 진행하기 전에 항상 배터리를 제거하십시오!

기기 관리

- 공구에 부착된 오염물질을 조심스럽게 제거하십시오.
- 마른 솔로 환기 홈을 조심스럽게 청소하십시오.
- 하우징은 약간 물을 적신 천으로만 닦으십시오. 플라스틱 부품을 손상시킬 수 있으므로 절대로 실리콘이 함유된 보호제를 사용하지 마십시오.

리튬 이온 배터리 관리

- 배터리를 오일 및 그리스가 묻지 않도록 깨끗하게 유지하십시오.
- 하우징은 약간 물을 적신 천으로만 닦으십시오. 플라스틱 부품을 손상시킬 수 있으므로 절대로 실리콘이 함유된 보호제를 사용하지 마십시오.
- 습기가 스며들지 않도록 주의하십시오.



유지보수

- 눈에 보이는 모든 부품은 정기적으로 손상 여부를 점검하고 조작 요소가 아무 문제 없이 작동하는지 점검하십시오.
- 손상되었거나 기능 장애가 있는 경우에는 제품을 작동하지 마십시오. 바로 Hilti 서비스 센터에서 수리받으십시오.
- 관리 및 수리 작업 후 모든 보호장치를 가져와 기능을 점검하십시오.

i 안전하게 작동하기 위해서는 순정품 예비 부품 및 소모품만 사용하십시오. 해당 제품에 허용되는 예비 부품, 소모품 및 액세서리는 Hilti Store 또는 에서 확인할 수 있습니다. www.hilti.group.

8 배터리 기기 운반 및 보관

운반



주의

운반 시 돌발적으로 작동됨!

- ▶ 제품은 항상 배터리를 장착하지 않은 상태로 운반하십시오!
- ▶ 배터리를 분리하십시오.
- ▶ 배터리를 포장하지 않은 채로 운반해서는 절대 안 됩니다.
- ▶ 기기 및 배터리를 장시간 운반한 후에는 사용하기 전에 손상 여부를 점검하십시오.

보관



주의

배터리 결함 또는 방전으로 인한 돌발적인 손상!

- ▶ 제품은 항상 배터리를 장착하지 않은 상태로 보관하십시오!
- ▶ 기기 및 배터리는 최대로 시원하고 건조한 곳에서 보관하십시오.
- ▶ 배터리는 절대 직사광선이 들어오는 곳, 히터 위 또는 유리 뒤쪽에 보관하지 마십시오.
- ▶ 기기와 배터리는 어린이 및 허용되지 않는 사람의 손에 닿지 않도록 하십시오.
- ▶ 기기 및 배터리를 장시간 보관한 후에는 사용하기 전에 손상 여부를 점검하십시오.

9 문제 발생 시 도움말

본 도표에 제시되어 있지 않거나 스스로 해결할 수 없는 문제가 발생한 경우 Hilti 서비스 센터에 문의해 주십시오.

9.1 고장 시 대책

장애	예상되는 원인	해결책
기기가 작동하지 않음.	배터리가 완전하게 삽입되지 않음.	▶ 배터리를 삽입하십시오. → 페이지 203
	배터리가 방전되었음.	▶ 배터리를 충전하십시오. → 페이지 203
컨트롤 스위치를 누를 수가 없 음 또는 블로킹됨.	정회전/역회전 스위치가 중간위치 에 있음.	▶ 정회전/역회전 스위치를 설정하 십시오. → 페이지 204
회전속도가 갑자기 떨어짐.	배터리가 방전되었음.	▶ 배터리를 충전하십시오. → 페이지 203
배터리가 평소보다 빨리 방전 됨.	주변 온도가 너무 낮음.	▶ 실온에서 배터리를 서서히 따뜻 하게 하십시오.
배터리를 밀어 넣을 때 이종으 로 찰칵하는 소리가 들리지 않 음.	배터리 래치 오염됨.	▶ 배터리 래치를 청소하고 배터리 를 맞물려 고정시키십시오. 계속 해서 문제가 있는 경우, Hilti 서 비스센터에 방문하십시오.
기기 또는 배터리에 과도한 열 발생.	전기적 결함.	▶ 즉시 기기를 끄고, 배터리를 분 리하여 관찰한 후 냉각시키십시 오. Hilti 서비스센터에 문의하십 시오.



장애	예상되는 원인	해결책
기기 또는 배터리에 과도한 열 발생.	기기가 과부하됨 (사용 한계 초과)	▶ 사용하기에 적합한 기기를 선택하십시오..

10 폐기

Hilti 기기는 대부분 재활용이 가능한 소재로 제작되었습니다. 재활용을 위해 개별 부품을 분리하여 주십시오. Hilti는 대부분의 국가에서 재활용을 위해 노후기기를 수거해 갑니다. Hilti 고객 서비스 센터 또는 판매 상담자에게 문의하십시오.

배터리 폐기

배터리를 부적절하게 폐기함으로 인해 가스 또는 용액이 새어나와 건강상의 피해를 입을 수 있습니다.

- ▶ 손상된 배터리는 전달하지 마십시오!
- ▶ 비전도성 소재로 연결 단자를 막아 두어 단락이 발생하지 않게 하십시오.
- ▶ 배터리가 어린이의 손에 닿지 않도록 폐기하십시오.
- ▶ Hilti Store에서 배터리를 폐기하거나 또는 담당 폐기물 처리 업체에 문의하십시오.



- ▶ 전통 공구, 전자식 기기 및 배터리를 일반 가정 쓰레기로 폐기하지 마십시오!

11 RoHS (유해물질 사용 제한 지침)

아래 링크에서 유해물질에 관한 도표를 확인할 수 있습니다. qr.hilti.com/r4923, qr.hilti.com/r4922, qr.hilti.com/r4927 및 qr.hilti.com/r4926.

RoHS 도표로 이어지는 링크는 본 문서 끝에 QR 코드 형식으로 제시되어 있습니다.

12 제조회사 보증

- ▶ 보증 조건에 관한 질문사항은 Hilti 파트너 지사에 문의하십시오.

原始操作說明

1 文件相關資訊

1.1 關於此文件

- 初次操作或使用前，請先詳讀此文件。本文件包含安全前提、疑難排解處理和產品使用。
- 請遵守本文件中與產品上的安全說明和警告。
- 操作說明應與產品一起保管，產品交予他人時必須連同操作說明一起轉交。

1.2 已使用的符號說明

1.2.1 警告

警告使用本產品的人員可能發生之危險。採用了以下標示文字：



危險

危險！

- ▶ 此標語警示會發生對人造成嚴重傷害甚至致死的危險情形。



警告

警告！

- ▶ 此標語警示會造成嚴重傷害甚至致死危險的潛在威脅。



注意

注意！

- ▶ 此標語警示可能會發生造成人員受傷，或造成設備及其他財產損壞之危險狀況。



1.2.2 文件中的符號

本文件中採用以下符號：

	使用前請閱讀操作說明。
	使用說明與其他資訊
	處理可回收的材料
	不可將電子設備與電池當作家庭廢棄物處置

1.2.3 圖解中的符號

圖解中採用了以下符號：

	號碼對應操作說明的開始處的圖解
3	編號代表圖解中的操作步驟順序，可能與內文中的步驟有所不同
	項目參考編號用於總覽圖解，並請參閱產品總覽章節中使用的編號
	本符號是為了讓您在操作本產品時可以注意某些重點。

1.3 產品專屬符號

1.3.1 產品上的符號

產品上會採用下列符號：

	鑽孔時無鎚擊動作
	鎚擊鑽孔
/min	每分鐘轉數
n_0	無負載下的額定速率
	直流電 (DC)
Li-Ion	鋰電池
	使用Hilti鋰電池類型系列。請遵守用途一節所提供之資訊。
	機具支援近距離無線通訊 (NFC) 技術，其相容於iOS及Android平台。
	請勿將電池使用作為敲擊工具。
	避免電池掉落。不得使用遭受衝擊或其他原因遭到損壞的電池。

1.4 產品資訊

產品是針對專業使用者設計，故僅經訓練、認可的人員可操作、維修與維護本產品。必須告知上述人員關於可能遭遇到的特殊危險。若因未經訓練人員操作錯誤或未依照其原本的用途操作，則本產品和它的輔助工具設備有可能會發生危險。

類型名稱和序號都標示於額定銘牌上。



- ▶ 在下方表格中填入序號。與Hilti維修中心或當地Hilti機關聯絡查詢產品相關事宜時，我們需要您提供產品詳細資訊。

產品資訊

充電式螺絲起子 充電式衝擊扳手機	SID 14-A, SID 22-A SIW 14-A, SIW 22-A
產品代別：	01
機具序號：	

1.5 符合聲明

基於我們唯一的責任，本公司在此聲明本產品符合適用的指示或標準。本文件結尾處有符合聲明之副本。技術文件已歸檔：

Hilti Entwicklungsgesellschaft mbH | Tool Certification | Hiltistrasse 6 | 86916 Kaufering, Germany

2 安全性

2.1 一般電動機具安全警告

⚠ 警告 請詳閱本電動機具提供的所有安全警告、指示、圖解和說明。未能遵守以下所有指示可能會造成電擊事故、火災和 / 或嚴重的傷害。

妥善保存所有警示及說明，以供將來參考。

注意事項中的「機具」係指使用電源（有線）或電池（無線）的電動機具。

工作區域安全

- ▶ 請保持工作區的清潔與採光充足。雜亂而昏暗的工作區會導致意外發生。
- ▶ 勿在容易發生爆炸的環境中使用機具，例如有可燃性液體、瓦斯或粉塵存在的環境。機具產生的火花可能會引燃塵埃或煙霧。
- ▶ 操作機具時，請與兒童及旁人保持距離。注意力不集中時容易發生失控的情形。

電力安全

- ▶ 機具插頭與插座須能互相搭配。勿以任何方式改裝插頭。勿將任何變壓器插頭和與地面接觸（接地）的電動機具搭配使用。未經改裝的插頭以及能互相搭配的插座可減少發生電擊的危險。
- ▶ 避免讓身體接觸到如管線、散熱器、爐灶與冰箱等與土地或地表接觸之物品。如果您的身體接觸到地表或地面，將增加電擊的危險。
- ▶ 請勿將機具曝露在下雨或潮濕的環境中。若水氣進入機具中將增加觸電的危險。
- ▶ 勿濫用電纜線。勿以電纜線吊掛、拖拉機具或拔下機具插頭。電纜線應避開熱氣、油、銳利的邊緣或移動性零件。電纜線損壞或纏繞會增加發生電擊事故的危險。
- ▶ 於室外操作機具時，須使用適用於戶外的延長線。使用適合戶外使用的延長線可降低觸電的風險。
- ▶ 如果無法避免在潮濕的地點操作機具，請使用漏電斷路器（RCD）保護電源供應器。使用漏電斷路器（RCD）可降低電擊的風險。

人員安全

- ▶ 操作機具時，請提高警覺，注意進行中的工作並善用常識。感到疲勞或受到藥物、酒精或治療的影響時勿使用機具。操作機具時稍不留神就可能造成嚴重的人員傷亡。
- ▶ 穿戴個人防護裝備。請隨時穿戴眼罩。適當使用防塵面罩、防滑鞋、安全帽及耳罩等安全防護配備可減少人員的傷害。
- ▶ 避免不經意的啟動。在接上電源或電池組、抬起或攜帶機具之前，務必確認開關處於關閉的位置。攜帶機具時，如果把手指放在開關上，或在開關開啟時，將機具插上插頭容易發生意外。
- ▶ 啟動機具前，應將所有調整鑰匙或扳手移開。將扳手或鑰匙留在機具的旋轉零件中可能會造成人員傷害。
- ▶ 勿將手伸出過遠。隨時站穩並維持平衡。這可讓您在意外情況發生時，對機具有較好的控制。
- ▶ 穿著適當服裝。請勿穿著寬鬆的衣服或佩戴珠寶。頭髮、衣服與手套應遠離移動性零件。移動性零件可能會夾到寬鬆的衣服、珠寶或長髮。
- ▶ 如果機具可連接吸塵裝置與集塵設備，請連接並適當使用這些設備。使用集塵裝置可降低與粉塵有關的危險。
- ▶ 請勿因頻繁而習慣使用機具便疏於遵守或忽略機具的安全規範。草率使用可能在轉眼間便造成嚴重的傷害。

機具使用與保養

- ▶ 不可強制使用機具。依據用途使用正確的機具。根據設計的速率使用機具可更快速安全地完成工作。
- ▶ 若開關無法啟動或關閉電動工具時，請勿使用電動工具。任何無法以開關控制的機具都很危險且需要維修。



- ▶ 在進行任何調整、更換配件、或貯放電動機具前，請先將插頭拔離插座和 / 或將電池組自電動機具卸下（如可拆卸）。此預防安全措施可降低機具意外啟動的風險。
- ▶ 將閒置的機具貯放在兒童拿不到的地方，勿讓不熟悉或未詳閱本說明的人員操作本機具。機具在未經訓練的使用者手中是很危險的。
- ▶ 維護機具與配件。請檢查移動性零件有無偏移或黏合的情形、零件有無破損，以及任何會影響機具運轉的狀況。如果機具受損，請先維修後再使用。很多意外便是由維護不當的機具造成的。
- ▶ 保持切割機具的銳利與清潔。具銳利切割邊緣的切割機具如果得到適當的維護，便較不會發生黏合的現象，且較容易控制。
- ▶ 遵守本指示說明使用機具、配件和工具組等，並考量工作條件與待進行的工作。將機具用在原目的之外用途可能會造成危險。
- ▶ 保持握把與其表面的乾燥、清潔且不要讓上面出現油漬。握把及其表面濕滑會在意外情況中造成機具無法安全掌控。

電池機具的使用與保養

- ▶ 務必使用原廠指定的充電器進行充電。將適合特定類型電池的充電器使用在其他電池時，會有造成火災的危險。
- ▶ 務必使用機具特別指定的電池匣。使用其他的電池匣可能會造成受傷或火災。
- ▶ 電池匣未使用時，請將其遠離如迴紋針、錢幣、鑰匙、針、固定釘或其他會在電池兩極間形成連結的小型金屬物件。在電池兩極間建立短路可能會造成灼傷或火災。
- ▶ 若使用不當，可能會有液體由電池流出；請避免接觸該液體。若不慎接觸，請以清水沖洗。如果不小心讓液體接觸到眼睛，請立即尋求醫療援助。從電池中滲出的液體，可能會導致過敏或灼傷。
- ▶ 請勿使用損壞或改裝過的電池組或機具。受損或改裝過的電池可能會無法正常運作而造成起火、爆炸或受傷的風險。
- ▶ 請勿將電池組或機具曝露在火源或極端的溫度環境中。曝露在火源或溫度超過130°C (265°F) 的環境下可能會造成爆炸。
- ▶ 請遵守充電操作說明且不要在說明所載的溫度範圍之外為電池組或機具充電。不當充電或在指定溫度範圍外充電均可能造成電池損壞並提高起火的風險。

維修服務

- ▶ 請將機具交給合格的維修人員進行維修，並使用相同的替代零件。這可確保維護機具安全。
- ▶ 請勿自行維修損壞的電池。損壞的電池僅可由製造商或授權的維修商進行維修。

2.2 螺絲起子及衝擊扳手機的安全警告

- ▶ 當所進行的工作，固定釘可能會接觸到隱藏配線時，進行操作時請握住機具的絕緣握把。固定釘若接觸「導電」電線，會導致機具暴露在外金屬零件「導電」，使得操作員遭受電擊。

2.3 螺絲起子的其他安全預防措施

人員安全

- ▶ 請在本產品能正常運轉時使用。
- ▶ 勿嘗試以任何方式改裝機具。
- ▶ 請使用機具輔助握把。機具失控可能導致人員受傷。
- ▶ 以雙手確實握住機具的握把。請保持機具握把清潔和乾燥。
- ▶ 不可碰觸旋轉中零件 - 有受傷的危險！
- ▶ 使用機具時，請穿戴適當的護目鏡、耳罩、防護手套以及輕型呼吸保護器。
- ▶ 更換機具時亦請穿戴防護手套。觸摸配件工具會造成割傷或灼傷。
- ▶ 穿戴護目鏡。飛散的碎片會傷到人體或眼睛。
- ▶ 在開始作業前，請先針對作業時所產生粉塵之危險等級進行確認。使用符合當地粉塵防治條例，且經法定認可為保護等級之工業用吸塵器。含鉛塗料、某些木材及含石英之混凝土 / 石材 / 石頭、礦物質或金屬等材料的粉塵均對身體有害。
- ▶ 請確保工作場所所有良好通風，必要時，請依會產生的粉塵類型穿戴適合的口罩。操作人員與旁觀者接觸或吸入粉塵可能會引起過敏及 / 或造成呼吸系統或其他疾病。像是橡木與山毛櫸木材的粉塵已列為致癌物質，尤其是當它們使用調濕塗料（鉻酸鹽、木材防腐劑）時。含石綿之材料僅可交由專業人員處理。
- ▶ 請適時休息，並活動您的手指以促進血液循環。長時間暴露在震動下會造成手指、手掌和手腕的血管和神經系統失調。

電力安全

- ▶ 開始工作前，請先檢查工作區域是否有隱藏的電纜線、瓦斯管或水管。若不小心損壞電纜線，機具外部的金屬零件可能會造成觸電。

機具使用與保養

- ▶ 若配件工具卡住時請立即關閉機具。機具可能會絞到線材。



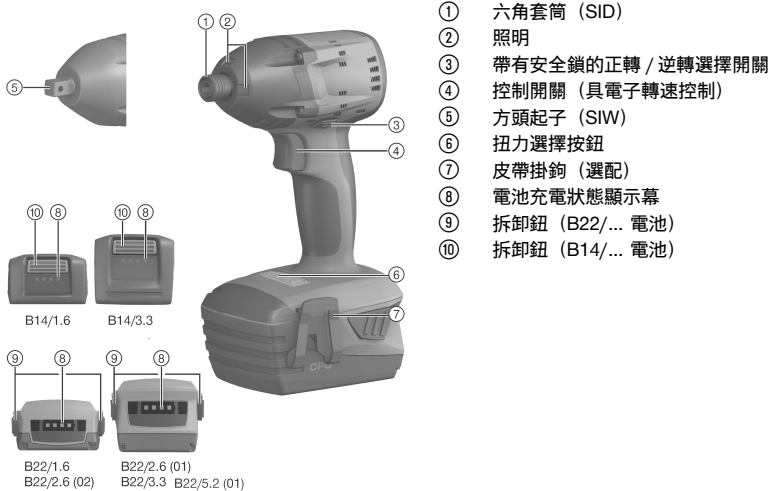
- ▶ 請等候機具完全停止再將其放下。

2.4 電池的使用與保養

- ▶ 請遵守適用於搬運、貯放和使用鋰電池的特殊法規和操作說明。
- ▶ 請勿讓電池暴露在高溫下、讓陽光直接照射或接觸火焰。
- ▶ 請勿拆解、擠壓或焚燒電池，且不可將電池置放在溫度超過80°C的環境中。
- ▶ 請勿使用或充電受到機構性衝擊、從高處摔落或有損壞跡象之電池。在此情況下，務必聯絡Hilti維修中心。
- ▶ 若電池溫度過高無法觸摸，表示電池可能已經毀損。此時，可將產品置於可隨時觀察並靜置冷卻的非易燃位置，同時遠離易燃物質。在此情況下，務必聯絡Hilti維修中心。

3 說明

3.1 產品總覽



- ① 六角套筒 (SID)
- ② 照明
- ③ 帶有安全鎖的正轉 / 逆轉選擇開關
- ④ 控制開關 (具電子轉速控制)
- ⑤ 方頭起子 (SIW)
- ⑥ 扭力選擇按鈕
- ⑦ 皮帶掛鉤 (選配)
- ⑧ 電池充電狀態顯示幕
- ⑨ 拆卸鈕 (B22/... 電池)
- ⑩ 拆卸鈕 (B14/... 電池)

3.2 用途

本文所述產品為手持充電式衝擊螺絲起子。適用於木材、金屬、石材及混凝土的螺絲裝卸與螺母和螺栓的鎖緊及鬆開。

本衝擊螺絲起子不適合需要精確 / 特定扭力的應用。未遵守此點可能有螺栓、螺絲或工件鎖得過緊而損壞的危險。

- ▶ 本產品僅可使用B14 (SID/SIW 14-A) 或B22 (SID/SIW 22-A) 系列Hilti鋰電池，視需求而定。
- ▶ 以上電池限使用C/4/36系列Hilti電池充電器。

3.3 充電狀態顯示

每輕按一下電池拆卸鈕，就會顯示鋰電池的充電狀態（只需按到感覺有阻力為止）。

狀態	意義
4個LED亮起。	充電狀態：75 %至100 %
3個LED亮起。	充電狀態：50 %至75 %
2個LED亮起。	充電狀態：25 %至50 %
1個LED亮起。	充電狀態：10 %至25 %
1個LED閃爍。	充電狀態：< 10 %



i 按下控制開關然後放開控制開關超過5秒後，將無法顯示電池充電狀態。

3.4 配備及數量

衝擊螺絲起子，操作說明。

i 您可以在Hilti Store或網站：選購Hilti認可的備件、耗材和配件。www.hilti.group | 美國：www.hilti.com

4 衝擊扳手機

	SID 14-A	SIW 14-A
額定電壓	14.4 V	14.4 V
重量測量依據EPTA Procedure-01	1.6 kg	1.6 kg
無負載下額定轉速	設定I	0 rpm ... 1,000 rpm
	設定II	0 rpm ... 1,500 rpm
	設定III	0 rpm ... 2,500 rpm
衝擊速度	≤ 3,100 bpm	≤ 3,400 bpm
扭力調整	3種設定	3種設定
大型標準螺栓	M8至M16	M8至M16
大型高強度螺栓	M6至M12	M6至M12
套筒 / 鑽頭螺桿	1/4"六角套筒 (附鎖環)	1/2"方頭起子 (附球型凹槽保留機制) 或3/8"方頭起子 (附鎖環)
操作時的環境溫度	-17 °C ... 60 °C	-17 °C ... 60 °C
貯放溫度	-20 °C ... 70 °C	-20 °C ... 70 °C

	SID 22-A	SIW 22-A
額定電壓	21.6 V	21.6 V
重量測量依據EPTA Procedure-01	2.1 kg	2.1 kg
無負載下額定轉速	設定I	0 rpm ... 1,000 rpm
	設定II	0 rpm ... 1,500 rpm
	設定III	0 rpm ... 2,500 rpm
衝擊速度	≤ 3,450 bpm	≤ 3,500 bpm
扭力調整	3種設定	3種設定
大型標準螺栓	M8至M16	M8至M16
大型高強度螺栓	M6至M12	M6至M12
套筒 / 鑽頭螺桿	1/4"六角套筒 (附鎖環)	1/2"方頭起子 (附球型凹槽保留機制) 或3/8"方頭起子 (附鎖環)
操作時的環境溫度	-17 °C ... 60 °C	-17 °C ... 60 °C
貯放溫度	-20 °C ... 70 °C	-20 °C ... 70 °C

4.1 噪音資訊和震動值 (依據EN 62841)

操作說明中所提供之音壓和震動值已參照標準測量，並可用來比較不同機具之噪音。它們也可作為噪音量的初步評估。

提供之資料表示機具主要應用時之數值。若機具應用於不同之用途，搭配不同的配件工具或在保養不良的情況下，其數據會有所不同。在作業過程中，這會大幅提高其噪音量。

當機具關閉，或開啟但未進行任何作業時也應列入考量，才能準確評估噪音量。在作業過程中，這會大幅降低其噪音量。

確認其他安全措施，以保護操作員不受噪音和 / 或震動影響，例如：保養機具與其配件、操作前保持雙手溫暖、作業型式之安排等。



噪音資訊

	SID 14-A	SIW 14-A	SID 22-A	SIW 22-A
聲功率級數 (L _{WA})	94 dB(A)	94 dB(A)	97 dB(A)	97 dB(A)
無法判定的聲功率級數 (K _{WA})	3 dB(A)	3 dB(A)	3 dB(A)	3 dB(A)
釋放的音壓級數 (L _{pA})	83 dB(A)	83 dB(A)	86 dB(A)	86 dB(A)
無法判定的音壓級數 (K _{pA})	3 dB(A)	3 dB(A)	3 dB(A)	3 dB(A)

總震動

	SID 14-A	SIW 14-A	SID 22-A	SIW 22-A
旋緊最大尺寸之螺絲 / 螺栓時的震動噪音值 (a _v)	7.5 m/s ²	7.5 m/s ²	11 m/s ²	11 m/s ²
無法判定的最大尺寸螺絲 / 螺栓旋緊	1.5 m/s ²	1.5 m/s ²	1.5 m/s ²	1.5 m/s ²

4.2 設定扭力

使用扭力選擇按鈕需要的扭力。

型號SID ...

SID 14-A
SID 22-A

		型號	
		SID 14-A	SID 22-A
扭矩	設定I	50 Nm	60 Nm
	設定II	100 Nm	110 Nm
	設定III	150 Nm	165 Nm

型號SIW ...

SIW 14-A
SIW 22-A

		SIW 14-A	
		1/2" 方頭螺桿 (附球型凹槽保留機制)	3/8" 方頭螺桿 (附鎖針)
扭矩	設定I	80 Nm	65 Nm
	設定II	120 Nm	115 Nm
	設定III	185 Nm	160 Nm

		SIW 22-A	
		1/2" 方頭螺桿 (附球型凹槽保留機制)	3/8" 方頭螺桿 (附鎖針)
扭矩	設定I	90 Nm	75 Nm
	設定II	135 Nm	120 Nm
	設定III	200 Nm	175 Nm

4.3 電池, 14.4 V

電池操作電壓	14.4 V
環境溫度	-10 °C ... 60 °C
貯放溫度	-20 °C ... 40 °C

4.4 電池, 21.6 V

電池操作電壓	21.6 V
環境溫度	-17 °C ... 60 °C
貯放溫度	-20 °C ... 40 °C



5 工作場所的準備工作

注意

因意外啟動 而受傷的危險！

- ▶ 置入電池前，請確認產品已關閉。
- ▶ 在調整機具或變更配件前請先將電池拆下。

請遵守本文件中與產品上的安全說明和警告。

5.1 為電池充電

1. 電池充電前，請閱讀充電器的操作手冊。
2. 確認電池的接點和充電器的接點清潔且乾燥。
3. 請使用經認可的充電器對電池充電。

5.2 置入電池

注意

有受傷的危險 因短路或電池掉落！

- ▶ 置入電池前，請確認電池的接點及產品的接點上無任何異物。
 - ▶ 確認電池已確實咬合。
1. 初次使用前，請將電池完全充電。
 2. 將電池裝入電池托盤，直到聽見咬合時發出的喀啦聲。
 3. 請檢查電池是否安裝牢固。

5.3 卸下電池

1. 按下電池拆卸鈕。
2. 請將電池自充電器卸下。

5.4 安裝皮帶掛鉤（選配）

警告

有受傷的危險！ 機具掉落會發生危險。

- ▶ 掉落的機具可能會對您以及他人造成傷害。開始作業前，請確認皮帶掛鉤已繫牢。



可使用皮帶掛鉤將機具裝至操作員配戴的皮帶上。本皮帶掛鉤可安裝連接在身體左 / 右側。

1. 卸下電池。→ 頁次 214
2. 將皮帶掛鉤裝入螺絲起子握把底部所提供的開口。
3. 用兩個螺絲固定皮帶掛鉤。

5.5 安裝配件工具

SID 14-A
SID 22-A

1. 檢查配件工具的連接頭是否清潔。
 - ▶ 必要時請清潔連接頭。
2. 將正轉 / 逆轉開關設定在中間，或將電池自電動機具卸下。
3. 盡可能將配件工具推入夾具內，直到咬合為止。
4. 使用機具前，請先檢查配件工具是否已確實裝入並固定。



5.6 安裝配件工具 4

SIW 14-A
SIW 22-A

1. 檢查配件工具的連接頭是否清潔。
 - ▶ 必要時請清潔連接頭。
2. 將正轉 / 逆轉開關設定在中間，或將電池自電動機具卸下。
3. 利用配件工具上的凹槽和方頭起子上的球校準。
4. 將配件推向方形起子直到咬合。
5. 使用機具前，請先檢查配件工具是否已確實裝入並固定。


5.7 安裝配件工具 5

SIW 22-A

注意

有受傷的危險 因使用錯誤類型的配件工具！

- ▶ 僅可使用鎖定類型的配件工具。
 - ▶ 請勿使用已磨損的配件。
-
1. 將正轉 / 逆轉開關設定在中間，或將電池自電動機具卸下。
 2. 從套筒的溝槽中取出O型環。
 3. 拉出鎖針。
 4. 將套筒放在機具方頭螺桿軸的位置。

 -  確認方頭螺桿和筒套中固定鎖定環的洞已對齊。
-
5. 將鎖針插入筒套。
 6. 將O型環裝上套筒。
 7. 使用機具前，請先檢查配件工具是否已確實裝入並固定。

6 操作

請遵守本文件中與產品上的安全說明和警告。

6.1 設定扭力 3

- ▶ 重覆按下扭力選擇開關，直到開關左側的指示燈顯示所需的扭力設定。


SID 14-A
SID 22-A

型號SID ... → 頁次 213

SIW 14-A
SIW 22-A

型號SIW ... → 頁次 213

6.2 正轉或逆轉設定 7

-  聯鎖裝置可防止當馬達運轉時，有任何開關動作。
當正轉 / 逆轉開關在中間時，控制開關便會鎖住（安全鎖）。

- ▶ 將正轉 / 逆轉開關設定至需要的旋轉方向。

6.3 開啟開關

- ▶ 按下控制開關。
 - ▶ 旋轉的速度是由壓按控制開關的深淺調整。



6.4 螺絲起子作業

注意

工件損壞造成受傷的危險！若扭力過高可能會造成螺絲或工件損壞。如此一來有受傷的危險。

- ▶ 確認螺絲或工件適合機具產生的扭力。

1. 將正轉 / 逆轉開關設定在中間，或將電池自電動機具卸下。
2. 使用扭力選擇開關設定至需要的扭力。→ 頁次 215

6.5 關閉開關

- ▶ 鬆開控制開關。

6.6 卸下配件

SID 14-A
SID 22-A

注意

配件工具造成受傷的危險！配件工具可能會非常燙或是有尖銳的邊緣。

- ▶ 使用機具和更換配件工具時，請務必穿戴防護手套。

1. 將正轉 / 逆轉開關設定在中間，或將電池自電動機具卸下。
2. 將夾頭環往前拉並固定在這個位置。
3. 將配件自夾頭拉出。
4. 鬆開夾頭環。

6.7 卸下配件

SIW 14-A
SIW 22-A

注意

配件工具造成受傷的危險！配件工具可能會非常燙或是有尖銳的邊緣。

- ▶ 使用機具和更換配件工具時，請務必穿戴防護手套。

1. 將正轉 / 逆轉開關設定在中間，或將電池自電動機具卸下。
2. 卸除方形起子的配件。

6.8 卸下配件工具

SIW 22-A

1. 將正轉 / 逆轉開關設定在中間，或將電池自電動機具卸下。
2. 從套筒的溝槽中取出O型環。
3. 拉出鎖針。
4. 拆下機具方頭螺桿軸上的套筒。
5. 安裝鎖針。
6. 將固定O型環裝上套筒。

7 維護和保養

警告

電池裝入時有受傷的危險！

- ▶ 進行維護及保養前，請務必卸下電池！

機具維護及保養

- 小心地清除頑強的髒污。



- 請使用乾燥的刷子小心清潔通風口。
- 僅能使用微濕軟布清潔外殼。勿使用含硅樹脂的清潔或亮光劑，因為可能會造成塑膠零件損壞。

鋰電池的保養

- 避免電池沾上油脂。
- 只能使用微濕軟布清潔外殼。勿使用含硅樹脂的清潔或亮光劑，因為可能會造成塑膠零件損壞。
- 避免濕氣進入。

維護

- 定期檢查外部零件和控制元件有無損壞跡象，並確認它們運作正常。
- 如果有損壞跡象或任何零件功能故障，請不要操作本產品。請將產品立刻交付Hilti維修中心進行維修。
- 清潔及保養後，裝上所有防護套或保護裝置並檢查功能是否正常。



為確保操作的安全及可靠性，請務必使用原廠Hilti備件與耗材。您可以在Hilti Store或網站：選購Hilti認可的備件、耗材和配件。www.hilti.group。

8 充電式機具的搬運與貯放

搬運



注意

搬運時意外啟動！

- ▶ 搬運產品時務必卸下電池！
- ▶ 卸下電池。
- ▶ 切勿以堆疊（分散，未受到保護）的方式運送電池。
- ▶ 長途搬運後，在使用前請檢查機具與電池是否有損壞。

設備的貯放



注意

電池故障或漏液造成的意外損害！

- ▶ 儲存產品時務必將電池卸下！
- ▶ 請儘可能將機具與電池貯放於陰涼乾燥處。
- ▶ 請勿將電池貯放於日光直射處、加熱裝置旁或窗台上。
- ▶ 請將機具與電池貯放在乾燥且兒童或未授權的人員無法觸及的地點。
- ▶ 長時間貯放後，在使用前請檢查機具與電池是否有損壞。

9 故障排除

若您遇到未列出的問題或是無法自行排除的問題，請聯絡Hilti維修中心。

9.1 故障排除

故障	可能原因	解決方法
機具無法啟動。	電池沒有完全置入。	▶ 置入電池。→ 頁次 214
	電池電量不足。	▶ 為電池充電。→ 頁次 214
控制開關無法按下，意即開關鎖住。	正轉 / 逆轉開關位於中間位置。	▶ 將正轉 / 逆轉開關設定至需要的位置。→ 頁次 215
運轉速度突然急速下降。	電池電量不足。	▶ 為電池充電。→ 頁次 214
本電池較一般電池壽命短。	周遭環境溫度極低	▶ 將電池放在室溫下緩慢升溫。
電池咬合時不會發出兩聲喀啦啦聲。	電池上的卡榫太髒。	▶ 清潔卡榫並推入電池，直到確實咬合。如果問題仍舊存在，請與Hilti維修中心聯絡。
機具或電池變得非常熱。	電力故障	▶ 立即將電動機具關閉，卸下電池，將機具置於可隨時觀察的位置，讓它靜置冷卻並聯絡Hilti維修中心。
	機具已超載（超出其應用限制）。	▶ 根據用途選擇適合的機具。



10 廢棄設備處置

Hilti 機具或設備所採用的材料大部分均可回收再利用。材料在回收前必須正確地分類。在許多國家中，您可以將舊機具及設備送回 Hilti 進行回收。詳情請洽 Hilti 維修中心，或當地 Hilti 代理商。

電池處置

不當處理電池會造成有害健康之氣體或液體。

- ▶ 請勿以郵寄方式寄送電池！
- ▶ 將電池端子上不導電物質（例如絕緣膠帶）以避免短路。
- ▶ 請將電池棄置於兒童無法觸及的地方。
- ▶ 請將該電池送交 Hilti Store 處理，或參考所在地的垃圾處理管轄機構或公共健康與安全機關之處理說明。



- ▶ 請勿將機具、電子設備或電池當作一般家用廢棄物處理！

11 RoHS (有害物質限制指令)

按一下本連結可前往危險物質表：qr.hilti.com/r4923、qr.hilti.com/r4922、qr.hilti.com/r4927和qr.hilti.com/r4926。

您可在文件最後找到QR碼格式的RoHS表連結。

12 製造商保固

- ▶ 如果您對於保固條件有任何問題，請聯絡當地 Hilti 代理商。

原版操作說明

1 文档信息

1.1 关于该文档

- 首次操作或使用前，请先阅读本文档。这是安全、无故障地操作和使用产品的前提条件。
- 请遵守本文档中以及产品上的安全说明和警告。
- 请务必将本操作说明与本产品保存在一起，确保将操作说明随产品一起交给他人。

1.2 使用符号的说明

1.2.1 警告

警告是为了提醒您在使用此产品时会发生的危险。使用以下信号词：



-危险-

危险！

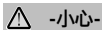
- ▶ 用于让人们能够注意到会导致严重身体伤害或致命的迫近危险。



-警告-

警告！

- ▶ 用于提醒人们注意可能导致严重或致命伤害的潜在危险。



-小心-

小心！

- ▶ 用于提醒人们注意可能导致轻微人身伤害、设备损坏或其他财产损失的潜在危险情形。

1.2.2 文档中的符号

本文档中使用下列符号：



请在使用之前阅读操作说明。



	使用说明和其他有用信息
	处理可回收材料
	不得将电气设备和电池作为生活垃圾处置

1.2.3 图示中的符号

图示中使用了下列符号：

	这些编号指本操作说明开始处的相应图示。
3	图示中的编号反映操作顺序，可能与文本中描述的步骤不同。
	概览图示中使用了项目参考号，该参考号指的是产品概览部分中使用的编号。
	这些符号旨在提醒您在操作本产品时要特别注意的某些要点。

1.3 与产品相关的符号

1.3.1 产品使用的符号

产品使用的符号如下：

	不通过锤击作用钻孔
	锤击钻孔
/min	每分钟转数
n_0	空载下的额定转速
	直流电 (DC)
Li-Ion	锂离子电池
	使用 Hilti 锂离子电池类型系列。请遵守“预期用途”一章中所述信息。
	电动工具支持近场通信 (NFC) 技术，兼容于 iOS 和安卓平台。
	切勿将电池用作敲击工具。
	请勿让电池掉落。切勿使用受到撞击或有任何损坏的电池。

1.4 产品信息

产品经设计适用于专业用户，只有经过专门训练的授权人员才允许操作、维修和维护本产品。必须将任何可能的危险专门告知该人员。不按照既定用途使用或由未经培训的人员不正确地使用本产品及其辅助设备可能会带来危险。

型号名称和序列号印在铭牌上。

- 在下表中填写序列号。在联系 Hilti 维修中心或当地 Hilti 机构询问产品时，将要求您提供产品的详细信息。

产品信息

充电式起子机	SID 14-A, SID 22-A
充电式冲击扳手机	SIW 14-A, SIW 22-A
分代号：	01
序列号：	



1.5 符合性声明

按照我们单方面的责任，我们声明本产品符合下列适用指令和标准：一致性声明副本位于本文档结尾处。技术文档在此处归档：

Hilti Entwicklungsgesellschaft mbH | Tool Certification | Hiltistrasse 6 | 86916 Kaufering, Germany

2 安全

2.1 一般电动工具安全警告

⚠ 警告 请阅读本电动工具随附的所有安全警告、说明、图示和技术规范。不遵守下列所有操作说明可能会导致电击、火灾和/或严重人身伤害。

请保存所有安全警告和操作说明，以供将来参考。

在所有下列的警告中术语“电动工具”指市电驱动(有线)电动工具或电池驱动(无线)电动工具。

工作区域安全

- ▶ 保持工作区域清洁和良好照明。杂乱和黑暗的区域容易导致事故。
- ▶ 不要在爆炸性环境中操作电动工具，例如有易燃液体、气体或灰尘。电动工具会产生可以点燃这些灰尘或烟雾的火花。
- ▶ 在操作电动工具时，要令儿童和旁观者远离工作现场。万一分心，可能会使您失去对电动工具的控制。

电气安全

- ▶ 电动工具(设备)插头必须匹配电源插座。切勿以任何方式改动插头。对于接地的电动工具(设备)，不要使用任何适配器插头。使用未经改动的插头和匹配的电源插座可以大大减少电击危险。
- ▶ 避免人体接触接地表面，如管道、散热片和冰箱。如果您的身体接地，则会增加电击危险。
- ▶ 不要将电动工具暴露在雨水或潮湿环境中。电动工具进水将会增加电击危险。
- ▶ 不要滥用电缆。切勿使用电缆运送、拉动或拔出电动工具。保持电缆远离高温、油、锋利边缘或运动部件。电缆损坏或缠绕会增加电击危险。
- ▶ 当在户外操作电动工具时，应使用经认可适合户外操作的加长电缆。使用适合户外使用的电缆可减少电击危险。
- ▶ 如果在潮湿环境下操作电动工具是不可避免的，应使用剩余电流动作保护器(RCD)。使用RCD可减少电击危险。

人身安全

- ▶ 保持警觉，注意您正在进行的工作，并在操作电动工具的过程中，应利用自己的判断能力。当您疲劳或受到药物、酒精或医疗影响时，请不要使用电动工具。当操作电动工具时，瞬间的分心都可能导致严重的人身伤害。
- ▶ 使用个人防护装备。一定要戴上护目装置。安全装置，诸如适当条件下使用防尘面具、防滑安全鞋、安全帽、听力防护等装置能减少人身伤害。
- ▶ 防止电动工具意外启动。在连接至电源和/或电池组、拿起或搬运电动工具之前，应确保开关处于“关闭”位置。将手指放在开关上搬运电动工具或在开关处于“打开”位置时接通电源，都可能会导致事故发生。
- ▶ 在打开电动工具之前，必须拿掉任何调整键或扳手。让扳手或调整键留在电动工具的旋转部件上可能会导致人身伤害。
- ▶ 不要操之过急。应时刻保持正确的站姿和平衡。这在意外情况下能够更好地控制电动工具。
- ▶ 应确保正确着装。不要穿着松垮的衣服或佩戴首饰。让头发和衣服远离运动部件。松垮的衣服、首饰或长发会卡在运动部件中。
- ▶ 如果提供有助于连接除尘和集尘设施的装置，应确保将它们连接好并正确使用。使用除尘装置可以减少与灰尘相关的危险。
- ▶ 经常使用工具能令您获得较高的熟练度，但不能因此掉以轻心和忽视工具安全准则。一次不慎操作就会在瞬间导致重伤。

电动工具的使用和维护

- ▶ 不要强制使用电动工具。针对您的应用场合使用正确的电动工具。正确的电动工具在其额定设计值范围内将能够更好和更安全地工作。
- ▶ 如果通过开关不能使其打开和关闭，则请不要使用电动工具。任何不能通过开关进行控制的电动工具都是危险的，必须对其进行修理。
- ▶ 在进行任何调整、更换配件或存放电动工具之前，应从电源上断开插头和/或从电动工具上拆下电池组(若可拆卸)。此预防性安全措施可减少意外启动电动工具的危险。
- ▶ 将不用的电动工具存放在儿童拿不到的地方，并且不要让不熟悉电动工具或其操作说明的人员操作电动工具。未经培训的用户操作电动工具是危险的。
- ▶ 维护电动工具和配件。检查是否存在运动部件失调或卡滞、部件断裂和任何其它影响电动工具操作的情况。如果存在损坏，则在使用之前应修理电动工具。许多事故都是由于电动工具维护不良造成的。
- ▶ 保持切削工具锋利和清洁。带锋利切削刃的切削工具如果维护得当，很少会发生卡滞且更容易控制。



- ▶ 按照使用说明书，考虑作业条件和进行的作业来使用电动工具、附件和工具的刀头等。将电动工具用于指定用途以外的场合会导致危险。
- ▶ 使手柄和抓握面保持干燥、清洁且没有油脂。如果手柄和抓握面打滑，将无法在意外情况下安全操作或控制本工具。

无绳 (电池操作) 工具/设备的使用和维护

- ▶ 充电时只能使用制造商指定的充电器。适合某种类型电池组的充电器如果被用于为另一类型电池组充电，则可能会带来火灾危险。
- ▶ 只能使用专用电池组为电动工具供电。使用任何其它电池组可能会带来人身伤害和火灾。
- ▶ 当电池组不用时，应使其远离其它金属物体，例如纸夹、硬币、硬币、钉子、螺钉或其它小的金属物体，以免造成短路。如果电池端子被短路，则会造成人员烧伤或火灾。
- ▶ 如果持续滥用电池，则可能会造成液体从电池中喷射出来；注意避免接触到液体。如果意外接触到液体，应用水冲洗。如果液体接触眼睛，除了用大量清水冲洗外，还应立即就医。从电池中喷射出来的液体会导致疼痛或灼伤。
- ▶ 不要使用损坏或改装过的电池组或工具。损坏或改装过的电池会造成不可预测的情形，导致火灾、爆炸或受伤风险。
- ▶ 不要将电池组或工具暴露在明火或过高的温度中。暴露在明火或超过 130 °C (265 °F) 温度中可能导致爆炸。
- ▶ 遵守所有充电说明，且不要在使用说明规定的温度范围之外对电池组或工具充电。充电不正确或在规定温度范围之外充电会损坏电池并增加火灾风险。

保养

- ▶ 将你的电动工具送交专业维修人员，使用同样的备件进行修理。这样才可确保维持电动工具 (设备) 的安全性。
- ▶ 切勿擅自维修损坏的电池组。仅可由制造商或授权服务提供商执行电池组的维修。

2.2 起子机和冲击扳手的安全警告

- ▶ 当执行紧固件可能会接触到隐蔽导线的操作时，应通过绝缘把手表面握住电动工具。如果紧固件接触“带电”导线，则会使电动工具的裸露金属部件“带电”，从而可能会电击到操作者。

2.3 起子机附加安全预防措施

人身安全

- ▶ 请仅在产品处于完美运转的状态下使用它。
- ▶ 不得以任何方式篡改或改动本工具。
- ▶ 应使用随电动工具提供的辅助把手。对工具失去控制可能会导致人身伤害。
- ▶ 应始终用双手通过提供的把手牢牢握住工具。保持把手清洁干燥。
- ▶ 请勿触摸旋转部件 - 人身伤害危险！
- ▶ 使用电动工具时，必须佩戴适当的护目镜、安全帽、护耳装置、防护手套和轻型呼吸防护装置。
- ▶ 更换工具时，也应戴上防护手套。触碰配套工具会导致割伤和烫伤。
- ▶ 请戴上护目装置。飞溅的碎片会导致身体和眼睛受伤。
- ▶ 在开始工作之前，应测定工作时会产生的粉尘的危险等级。使用具有官方认可防护等级的工业真空吸尘器，并遵守当地适用的粉尘防护规定。一些材料产生的粉尘 (例如含铅油漆、某些类型的木材以及含有石英、矿物或金属的混凝土/砖石/石块) 可能对人体健康有害。
- ▶ 确保工作场所通风良好，必要时佩戴适用于产生的粉尘类型的呼吸器。接触或吸入这些粉尘可能会导致操作者或旁观者出现过敏反应和/或呼吸类疾病。某些种类的灰尘还属于致癌物质，例如橡木和山毛榉木灰尘，特别是在带木材调节添加剂 (铬酸盐、木材防腐剂) 时。仅允许专业人员处理包含石棉的材料。
- ▶ 抽出时间休息并做体育锻炼，改善手指的血液循环状况。工作期间长时间暴露于振动环境可能导致手指、手掌和手腕部位血管和神经系统紊乱。

电气安全

- ▶ 开始工作前，检查工作区域是否有隐蔽的电缆或天然气和水管。如果意外损坏电缆，电动工具的外部金属部件可能会导致触电。

电动工具的使用和维护

- ▶ 如果配套工具卡住，应立即关闭电动工具。电动工具可能会抱死。
- ▶ 直至电动工具完全停止才可将其放下。

2.4 电池的使用和维护

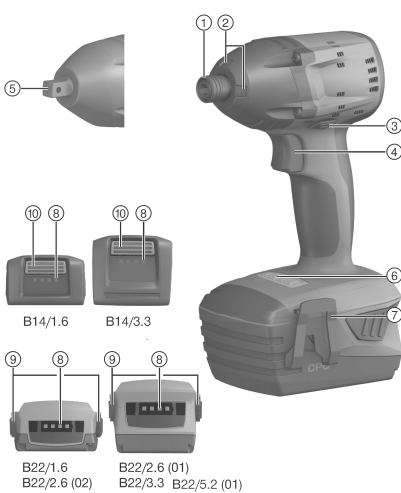
- ▶ 遵守与锂离子电池的运输、储存和使用相关的特殊规定和适用说明。
- ▶ 不要将电池暴露在高温、直射阳光或明火环境下。



- ▶ 请勿拆开、挤压或烧毁电池，不要让它们暴露于超过 80 °C 的高温下。
- ▶ 如果电池受到过物理冲击、从高处跌落过或表现出损坏迹象，则不得使用电池或为其充电。在这种情况下，请务必联系您的 **Hilti 维修中心**。
- ▶ 如果电池发热烫手，则可能有故障。在这种情况下，将产品放在不易燃的地方，远离易燃材料，一边观察电池情况，一边等待其冷却。在这种情况下，请务必联系您的 **Hilti 维修中心**。

3 说明

3.1 产品概述



- ① 六角套筒 (SID)
- ② 照明
- ③ 前进/后退选择开关，带安全锁
- ④ 控制开关 (带电子速度控制器)
- ⑤ 方棒 (SIW)
- ⑥ 扭矩选择按钮
- ⑦ 带钩 (选装)
- ⑧ 电池充电状态显示
- ⑨ 释放按钮 (B22/... 电池)
- ⑩ 释放按钮 (B14/... 电池)

3.2 预期用途

所述的产品为手持充电式冲击起子机。设计用于驱动安装和拆卸螺钉，以及用于在木材、金属、砖石建筑和混凝土中拧紧/松开螺母和螺栓。

冲击起子机仅可用于不要求精度/特定扭矩的应用场合。未遵守这一点会导致过度拧紧和损坏螺栓、螺钉或工件的危险。

- ▶ 本产品仅限使用 **Hilti B14 (SID/SIW 14-A)** 或 **B22 (SID/SIW 22-A)** 系列锂离子电池，视具体情况而定。
- ▶ 请仅用 **Hilti C4/36** 系列电池充电器为这些电池充电。

3.3 充电状态显示屏

轻轻按下释放按钮 (按到能感受到轻微的阻力即止) 之后，会显示锂电池的充电状态。

状态	含义
4 个 LED 亮起。	充电状态：75% 至 100%
3 个 LED 亮起。	充电状态：50% 至 75%
2 个 LED 亮起。	充电状态：25% 至 50%
1 个 LED 亮起。	充电状态：10% 至 25%
1 个 LED 闪烁。	充电状态：< 10%

按下控制开关 5 秒，松开开关之后，将不会显示电池的充电状态。

3.4 供应的部件

冲击起子机、操作说明。



i 喜利得批准用于配合产品使用的备件、消耗品和配件可到您当地的 **Hilti Store** 购买或通过网址 在线订购。
www.hilti.group | 美国：www.hilti.com

4 冲击扳手

		SID 14-A	SIW 14-A
额定电压		14.4 V	14.4 V
重量符合 EPTA Procedure-01		1.6 kg	1.6 kg
无负荷下的额定转速	设置I	0 rpm ... 1,000 rpm	0 rpm ... 1,000 rpm
	设置II	0 rpm ... 1,500 rpm	0 rpm ... 1,500 rpm
	设置III	0 rpm ... 2,500 rpm	0 rpm ... 2,300 rpm
冲击速度		≤ 3,100 bpm	≤ 3,400 bpm
扭矩调整		3 设置	3 设置
大直径标准螺栓		M8 至 M16	M8 至 M16
大直径高强度螺栓		M6 至 M12	M6 至 M12
套筒/套头驱动器		1/4" 带锁止环的六角套筒	1/2" 带固定球耳的方棒 或 3/8" 带锁止环的方棒
工作环境温度		-17 °C ... 60 °C	-17 °C ... 60 °C
存放温度		-20 °C ... 70 °C	-20 °C ... 70 °C

		SID 22-A	SIW 22-A
额定电压		21.6 V	21.6 V
重量符合 EPTA Procedure-01		2.1 kg	2.1 kg
无负荷下的额定转速	设置I	0 rpm ... 1,000 rpm	0 rpm ... 1,000 rpm
	设置II	0 rpm ... 1,500 rpm	0 rpm ... 1,500 rpm
	设置III	0 rpm ... 2,500 rpm	0 rpm ... 2,300 rpm
冲击速度		≤ 3,450 bpm	≤ 3,500 bpm
扭矩调整		3 设置	3 设置
大直径标准螺栓		M8 至 M16	M8 至 M16
大直径高强度螺栓		M6 至 M12	M6 至 M12
套筒/套头驱动器		1/4" 带锁止环的六角套筒	1/2" 带固定球耳的方棒 或 3/8" 带锁止环的方棒
工作环境温度		-17 °C ... 60 °C	-17 °C ... 60 °C
存放温度		-20 °C ... 70 °C	-20 °C ... 70 °C

4.1 噪音信息和振动值按照 EN 62841 标准

这些说明中给出的声压和振动值按照标准化测试的要求测得，可用于比较一种电动工具与另一种电动工具。它们还可用于初步评价受振动影响的程度。

提供的数据代表本电动工具的主要应用。但是，如果将电动工具用于不同的应用、使用不同的配套工具或维护不良，则数据可能不同。这可能会显著增加操作者在整个工作期间受振动影响的程度。

对受振动影响程度的准确估计还应考虑当关闭电动工具或当它运行但实际未进行工作时的情况。这可能会显著减小操作者在整个工作期间受振动影响的程度。

此外，应确定附加安全措施，以保护操作者免受噪音和/或振动影响，例如：正确维护电动工具和配套工具、保持双手温暖、制订合理的工作计划等。

噪音信息

	SID 14-A	SIW 14-A	SID 22-A	SIW 22-A
声 (功率) 级 (L_{WA})	94 dB(A)	94 dB(A)	97 dB(A)	97 dB(A)
声音功率级的不确定性 (K_{WA})	3 dB(A)	3 dB(A)	3 dB(A)	3 dB(A)
排放声压级 (L_{pA})	83 dB(A)	83 dB(A)	86 dB(A)	86 dB(A)
声压级的不确定性 (K_{pA})	3 dB(A)	3 dB(A)	3 dB(A)	3 dB(A)



总振动量

	SID 14-A	SIW 14-A	SID 22-A	SIW 22-A
以最大允许尺寸拧紧螺钉/螺栓和螺母时产生的振动值 (a_{h1})	7.5 m/s ²	7.5 m/s ²	11 m/s ²	11 m/s ²
以最大允许尺寸拧紧螺钉/螺栓和螺母的不确定性	1.5 m/s ²	1.5 m/s ²	1.5 m/s ²	1.5 m/s ²

4.2 设置扭矩

通过扭矩选择按钮来选择扭矩。

模型 SID ...

SID 14-A
SID 22-A

		模型	
		SID 14-A	SID 22-A
扭矩	设置I	50 Nm	60 Nm
	设置II	100 Nm	110 Nm
	设置III	150 Nm	165 Nm

模型 SIW ...

SIW 14-A
SIW 22-A

		SIW 14-A	
		1/2" 带固定球耳的方榫	3/8" 带锁环的方榫
扭矩	设置I	80 Nm	65 Nm
	设置II	120 Nm	115 Nm
	设置III	185 Nm	160 Nm

		SIW 22-A	
		1/2" 带固定球耳的方榫	3/8" 带锁环的方榫
扭矩	设置I	90 Nm	75 Nm
	设置II	135 Nm	120 Nm
	设置III	200 Nm	175 Nm

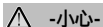
4.3 电池, 14.4 V

电池工作电压	14.4 V
环境温度	-10 °C ... 60 °C
存放温度	-20 °C ... 40 °C

4.4 电池, 21.6 V

电池工作电压	21.6 V
环境温度	-17 °C ... 60 °C
存放温度	-20 °C ... 40 °C

5 工作现场的准备工作



-小心-

人身伤害的危险 意外启动会带来伤害风险！

- ▶ 插入电池前，确保已关闭产品。
- ▶ 对电动工具执行任何调节或更换配件前，先取出电池。

请遵守本文档中以及产品上的安全说明和警告。



5.1 为电池充电

1. 为电池充电之前，请阅读充电器的操作说明。
2. 确保电池和充电器上的触点均清洁、干燥。
3. 使用认可的充电器为电池充电。

5.2 插入电池



电池短路或跌落 有导致受伤的危险！

- ▶ 插入电池之前，确保产品上的触点以及设备上的触点均无异物。
- ▶ 确保电池接合正确。

1. 在首次使用电池之前，要给电池完全充电。
2. 将电池推入电池座中，直至听到它接合的“咔嚓”声。
3. 检查并确认电池已可靠就位。

5.3 拆卸电池

1. 按下电池释放按钮。
2. 将电池从工具中取出。

5.4 安装皮带钩 (选装) 2



人身伤害的危险！ 电动工具掉落带来的危险。

- ▶ 如果电动工具掉落，则可能会对您或他人造成人身伤害。在开始工作之前，检查并确保带钩已可靠安装。



使用皮带钩可将电动工具挂在操作者佩戴的背带上。安装好皮带钩后，可将电动工具挂在身体的左侧或右侧。

1. 拆下电池。→ 页码 225
2. 将皮带钩插入起子机把手底座的开口中。
3. 用两个螺钉将皮带钩固定住。

5.5 安装配套工具 3

SID 14-A

SID 22-A

1. 检查并确认配件工具连接端清洁。
 - ▶ 如有需要，请清洁连接端。
2. 将前进/后退开关设置到中间位置或将电池从电动工具中取出。
3. 将配套工具推入夹头中并推到底（直至它接合）。
4. 使用电动工具前，请检查配套工具是否正确安装和固定。

5.6 安装配套工具 4

SIW 14-A

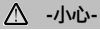
SIW 22-A

1. 检查并确认配件工具连接端清洁。
 - ▶ 如有需要，请清洁连接端。
2. 将前进/后退开关设置到中间位置或将电池从电动工具中取出。
3. 将配套工具上的凹槽对准方榫上的球。
4. 将配件工具推到方榫上，直至它接合。
5. 使用电动工具前，请检查配套工具是否正确安装和固定。



5.7 安装配套工具

SIW 22-A



使用错误类型的配套工具会导致人身伤害风险！

- ▶ 请仅使用锁止类型的配套工具。
- ▶ 不要使用已磨损或损坏的配套工具。

1. 将前进/后退开关设置到中间位置或将电池从电动工具中取出。
2. 从套筒的凹槽中拆下 O 形环。
3. 拉出锁销。
4. 将套筒置于本工具的方榫主轴上。



注意确保方榫主轴和套筒中的孔与其中匹配的锁止环相互对齐。

5. 将锁销插入套筒中。
6. 将 O 形环插入套筒。
7. 使用电动工具前，请检查配套工具是否正确安装和固定。

6 操作

请遵守本文档以及产品上的安全说明和警告。

6.1 设置扭矩

- ▶ 反复按下扭矩选择开关，直到开关左侧的指示器显示所需的扭矩设置。

SID 14-A
SID 22-A

模型 SID ... → 页码 224

SIW 14-A
SIW 22-A

模型 SIW ... → 页码 224

6.2 设置前进或后退旋转



但在电机运行时，联锁装置将会阻止此切换。

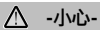
当前进/后退开关位于中间位置 (安全锁) 时，控制开关被锁止。

- ▶ 将前进/后退开关设置到期望的旋转方向。

6.3 打开

- ▶ 按下控制开关。
 - ▶ 旋转的速度由控制开关被按入的深浅进行调节。

6.4 螺丝驱动



损坏的工件有导致人身伤害的危险！如果扭矩过高，螺钉或工件会受损。否则会造成人身伤害危险。

- ▶ 确保螺钉和工件与工具产生的扭矩相配。

1. 将前进/后退开关设置到中间位置或将电池从电动工具中取出。
2. 使用扭矩选择开关，设置所需的扭矩。 → 页码 226

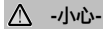
6.5 关闭

- ▶ 释放控制开关。



6.6 拆卸配件工具 9

SID 14-A
SID 22-A



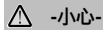
配套工具有导致人身伤害的危险！配套工具可能会发烫或边缘很锋利。

▶ 在使用电动工具和更换配套工具时，戴上防护手套。

1. 将前进/后退开关设置在中间位置或从电动工具上拆下电池。
2. 向前拉夹环，并使其可靠固定。
3. 将配件工具拉出夹头。
4. 松开夹环。

6.7 拆卸配件工具 9

SIW 14-A
SIW 22-A



配套工具有导致人身伤害的危险！配套工具可能会发烫或边缘很锋利。

▶ 在使用电动工具和更换配套工具时，戴上防护手套。

1. 将前进/后退开关设置在中间位置或从电动工具上拆下电池。
2. 将配件工具从方榫中拉出。

6.8 拆卸配套工具 10

SIW 22-A

1. 将前进/后退开关设置到中间位置或将电池从电动工具中取出。
2. 从套筒的凹槽中拆下 O 形环。
3. 拉出锁销。
4. 从本工具的方榫主轴上拆下套筒。
5. 安装锁销。
6. 将固定 O 形环安装到套筒上。

7 维护和保养



插入电池时存在人身伤害危险！

▶ 执行维护和保养任务之前，请务必先取出电池。

本工具的维护和保养

- 小心地清除顽固污渍。
- 使用干燥的刷子小心清洁通风孔。
- 请仅使用略湿的布清洁壳体。不要使用含硅清洁剂，否则可能腐蚀塑料件。

锂离子电池的保养

- 确保电池远离油和油脂。
- 请仅使用略湿的布清洁壳体。不要使用含硅清洁剂，否则可能腐蚀塑料件。
- 注意避免湿气侵入。

维护

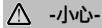
- 定期检查所有可见部件和控制器是否出现损坏迹象，确保其全部正常工作。
- 如果发现损坏迹象或如果有部件发生故障，不要操作本产品。立即将产品交由 Hilti 维修中心修复。
- 清洁和维护之后，安装所有护板或保护装置，检查并确认其正常工作。



i 为确保安全和可靠的操作，仅限使用喜利得原装备件和消耗品。Hilti 批准用于配合产品使用的备件、消耗品和配件可到您当地的 **Hilti Store** 购买或通过以下网址在线订购：www.hilti.group。

8 运输和存放无绳工具

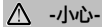
运输



运输途中的意外启动！

- ▶ 运输产品前务必将电池取出！
- ▶ 拆下电池。
- ▶ 切勿松散、未加保护地运输大批量电池。
- ▶ 在长时间运输后使用前，检查工具和电池是否损坏。

存放



电池故障或泄漏导致的意外损坏！

- ▶ 存放产品前务必将电池取出！
- ▶ 将工具和电池存放在尽量凉爽和干燥的地方。
- ▶ 切勿将电池存放在阳光直射位置、加热单元上或窗玻璃后。
- ▶ 将工具和电池存放在儿童或非授权人员无法接近的干燥位置。
- ▶ 工具和电池经过长期存放后，在使用之前，检查其是否受损。

9 故障排除

如果您碰到的问题未在此表中列出或您无法自己实施补救措施，请联系 **Hilti 服务部门**。

9.1 故障排除

故障	可能原因	解决方案
电动工具不运行。	电池未完全插入。	▶ 插入电池。→ 页码 225
	电池电量低。	▶ 为电池充电。→ 页码 225
不能按下控制开关，即开关被锁止。	前进/后退选择开关处于中间位置。	▶ 将前进/后退开关设置到想要的位置。→ 页码 226
运行速度突然明显下降。	电池电量低。	▶ 为电池充电。→ 页码 225
电池比平常更快耗尽。	非常低的环境温度。	▶ 允许电池缓慢加热到室温。
电池没有在听到“双咔哒”声的情况下接合。	电池上的固定凸耳脏污。	▶ 清洁固定凸耳，并将电池推进直至固定接合。如果问题仍存在，联系 Hilti 服务部门 。
电动工具或电池变得非常热。	电气故障。	▶ 立刻关闭电动工具，拆下电池，进行观察，使其冷却并联系 Hilti 服务部门 。
	电动工具过载 (超出应用极限)。	▶ 选择适合应用场合的电动工具。

10 废弃处置

大部分用于 **Hilti** 工具和设备生产的材料是可回收利用的。在可以回收之前，必须正确分离材料。在很多国家，您的旧工具、机器或设备可送至 **Hilti** 进行回收。敬请联系 **Hilti 维修中心** 或 **Hilti 代表** 获得更多信息。

电池处置

电池处置不当可能会造成漏气或漏液，最终导致健康危害。

- ▶ 不得通过邮寄方式发送电池！
- ▶ 用非导电材料 (比如绝缘带) 包住端子，以防止短路。
- ▶ 在儿童接触不到的地方处置电池。
- ▶ 请至 **Hilti Store** 处置电池，或咨询当地政府下属的垃圾处置或公共健康和机构，以获取处置说明。





- ▶ 不得将电动工具、电子设备或电池作为生活垃圾处置！

11 RoHS (有害物质限制)

单击链接，跳转至有害物质表：qr.hilti.com/r4923、qr.hilti.com/r4922、qr.hilti.com/r4927 和 qr.hilti.com/r4926。

您将在本文档末尾找到指向 RoHS 表格的链接 (二维码形式)。

12 制造商保修

- ▶ 如果您有保修条件方面的问题，请联系您当地的 Hilti 公司代表。





EC Declaration of Conformity | UK Declaration of Conformity



Manufacturer:
Hilti Corporation
Feldkircherstraße 100
9494 Schaan | Liechtenstein

Importer:
Hilti (Gt. Britain) Limited
1 Trafford Wharf Road, Old Trafford
Manchester, M17 1BY

SID 14-A (01) | SIW 14-A (01) | SID 22-A (01) | SIW 22-A (01)

Serial Numbers: 1-9999999999

2006/42/EC | Supply of Machinery (Safety) Regulations 2008

EN 62841-1:2015 + AC:2015

EN 62841-2-2:2014 + AC:2015

2014/30/EU | Electromagnetic Compatibility Regulations 2016

EN 55014-1:2017 + A11:2020

EN 55014-2:2015

2011/65/EU | The Restriction of the Use of Certain Hazardous Substances in Electrical and Electronic Equipment Regulations 2012

Dr. Tahar Zrilli
Head of Quality and Process Management
Business Area Electric Tools & Accessories

Schaan, 29.07.2021

Tassilo Deinzer
Executive Vice President
Business Unit Power Tools & Accessories

ROHS
SIW 14-A



ROHS
SIW 22-A



ROHS
SID 14-A



ROHS
SID 22-A





Hilti Corporation
LI-9494 Schaan
Tel.:+423 234 21 11
Fax:+423 234 29 65
www.hilti.group



2072653