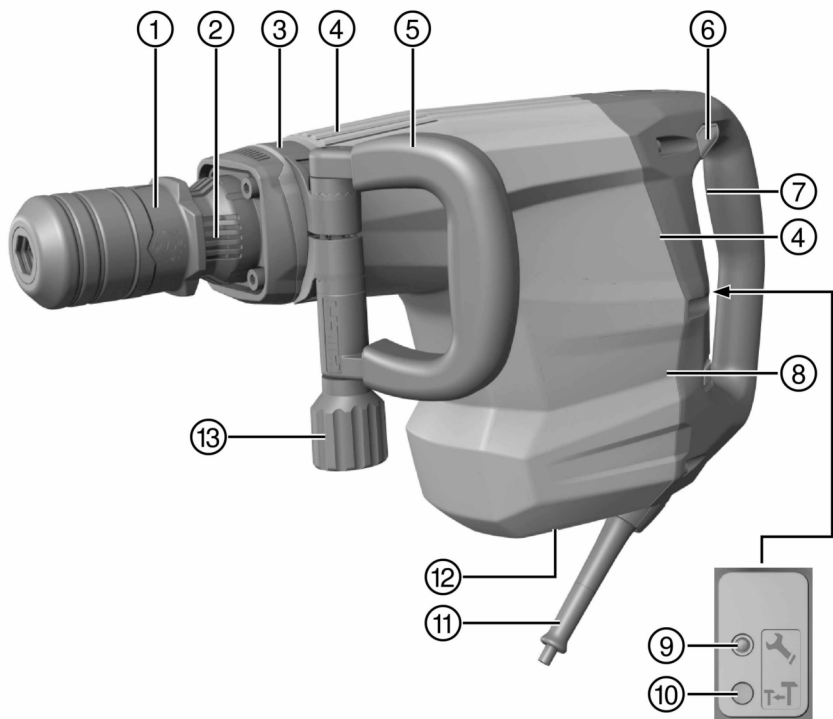


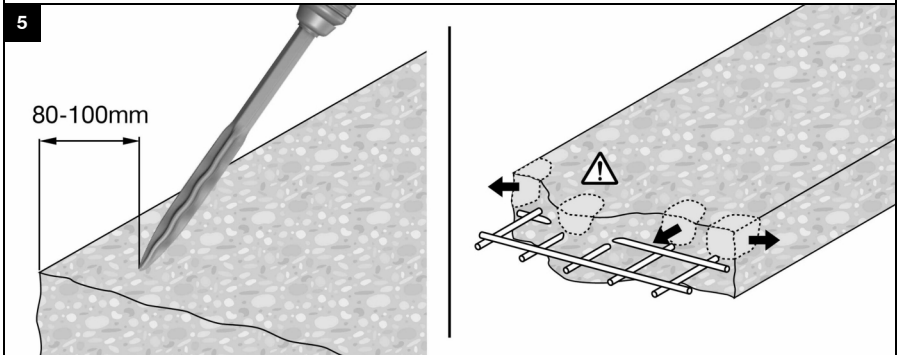
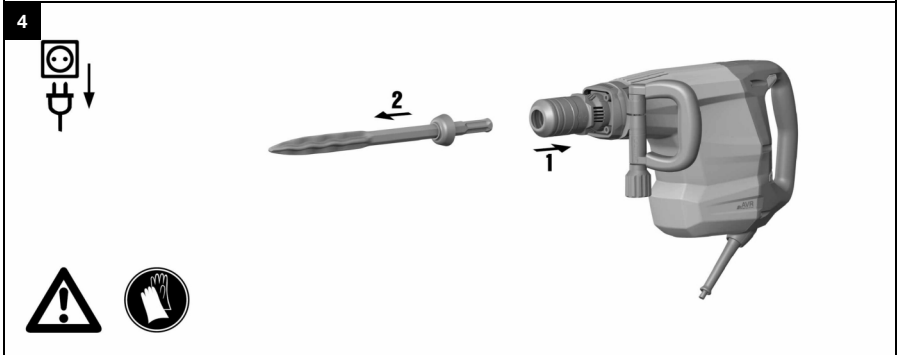
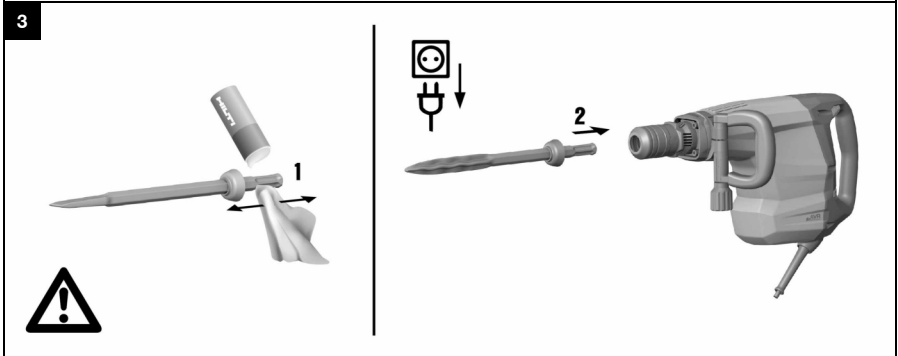
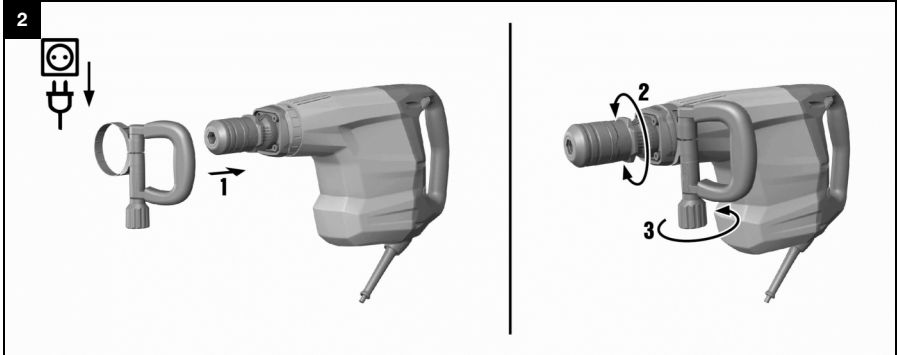


TE 800-AVR

English
עברית

1
12





TE 800-AVR

en	Original operating instructions	1
he	הוראות הפעלה מקוריות	12

Original operating instructions

1 Information about the operating instructions

1.1 About these operating instructions

- Read these operating instructions before the product is used or operated for the first time. This is a prerequisite for safe, trouble-free handling and use of the product.
- Observe the safety instructions and warnings in these operating instructions and on the product.
- Always keep the operating instructions with the product and make sure that the product is accompanied by these operating instructions only, when the product is given to other persons.

1.2 Explanation of symbols

1.2.1 Warnings

Warnings alert persons to hazards that occur when handling or using the product. The following signal words are used:

DANGER

DANGER !

- ▶ Draws attention to imminent danger that will lead to serious personal injury or fatality.

WARNING

WARNING !

- ▶ Draws attention to a potential threat of danger that can lead to serious injury or fatality.





CAUTION

CAUTION !

- ▶ Draws attention to a potentially dangerous situation that could lead to personal injury or damage to the equipment or other property.




1.2.2 Symbols in the operating instructions

The following symbols are used in these operating instructions:

	Comply with the operating instructions
	Instructions for use and other useful information
	Dealing with recyclable materials
	Do not dispose of electric equipment and batteries as household waste

1.2.3 Symbols in illustrations

The following symbols are used in illustrations:

	These numbers refer to the illustrations at the beginning of these operating instructions.
3	The numbers in illustrations refer to important work steps or to components important for the work steps. In the text, the corresponding numbers draw attention to these work steps or components, e.g. (3) .
	Item reference numbers are used in the overview illustration and refer to the numbers used in the key in the product overview section.
	This symbol is intended to draw your special attention to certain points for handling the product.



1.3 Product-dependent symbols

1.3.1 Symbols on the product

The following symbols are used on the product:

	Service indicator
	Power selector

1.4 Product information

Hilti products are designed for professional use and may be operated, serviced and maintained only by trained, authorized personnel. This personnel must be specifically informed about the possible hazards. The product and its ancillary equipment can present hazards if used incorrectly by untrained personnel or if used not in accordance with the intended use.

The type designation and serial number are printed on the rating plate.

- ▶ Write down the serial number in the table below. You will be required to state the product details when contacting Hilti Service or your local Hilti organization to inquire about the product.

Product information

Breaker	TE 800-AVR
Generation	01
Serial no.	

1.5 Declaration of conformity

We declare, on our sole responsibility, that the product described here complies with the applicable directives and standards. A copy of the declaration of conformity can be found at the end of this documentation.

The technical documentation is filed here:

Hilti Entwicklungsgesellschaft mbH | Tool Certification | Hiltistrasse 6 | 86916 Kaufering, Germany

2 Safety

2.1 General power tool safety warnings

⚠ WARNING Read all safety warnings, instructions, illustrations and specifications provided with this power tool. Failure to follow all instructions listed below may result in electric shock, fire and/or serious injury. **Save all warnings and instructions for future reference.**

The term "power tool" in the warnings refers to your mains-operated (corded) power tool or battery-operated (cordless) power tool.

Work area safety

- ▶ **Keep work area clean and well lit.** Cluttered or dark areas invite accidents.
- ▶ **Do not operate power tools in explosive atmospheres, such as in the presence of flammable liquids, gases or dust.** Power tools create sparks which may ignite the dust or fumes.
- ▶ **Keep children and bystanders away while operating a power tool.** Distractions can cause you to lose control.

Electrical safety

- ▶ **Power tool plugs must match the outlet. Never modify the plug in any way. Do not use any adapter plugs with earthed (grounded) power tools.** Unmodified plugs and matching outlets will reduce risk of electric shock.
- ▶ **Avoid body contact with earthed or grounded surfaces, such as pipes, radiators, ranges and refrigerators.** There is an increased risk of electric shock if your body is earthed or grounded.
- ▶ **Do not expose power tools to rain or wet conditions.** Water entering a power tool will increase the risk of electric shock.
- ▶ **Do not abuse the cord. Never use the cord for carrying, pulling or unplugging the power tool. Keep cord away from heat, oil, sharp edges or moving parts.** Damaged or entangled cords increase the risk of electric shock.
- ▶ **When operating a power tool outdoors, use an extension cord suitable for outdoor use.** Use of a cord suitable for outdoor use reduces the risk of electric shock.



- ▶ **If operating a power tool in a damp location is unavoidable, use a residual current device (RCD) protected supply.** Use of an RCD reduces the risk of electric shock.

Personal safety

- ▶ **Stay alert, watch what you are doing and use common sense when operating a power tool. Do not use a power tool while you are tired or under the influence of drugs, alcohol or medication.** A moment of inattention while operating power tools may result in serious personal injury.
- ▶ **Use personal protective equipment. Always wear eye protection.** Protective equipment such as a dust mask, non-skid safety shoes, hard hat or hearing protection used for appropriate conditions will reduce personal injuries.
- ▶ **Prevent unintentional starting. Ensure the switch is in the off-position before connecting to power source and/or battery pack, picking up or carrying the tool.** Carrying power tools with your finger on the switch or energising power tools that have the switch on invites accidents.
- ▶ **Remove any adjusting key or wrench before turning the power tool on.** A wrench or a key left attached to a rotating part of the power tool may result in personal injury.
- ▶ **Do not overreach. Keep proper footing and balance at all times.** This enables better control of the power tool in unexpected situations.
- ▶ **Dress properly. Do not wear loose clothing or jewellery. Keep your hair and clothing away from moving parts.** Loose clothes, jewellery or long hair can be caught in moving parts.
- ▶ **If devices are provided for the connection of dust extraction and collection facilities, ensure these are connected and properly used.** Use of dust collection can reduce dust-related hazards.
- ▶ **Do not let familiarity gained from frequent use of tools allow you to become complacent and ignore tool safety principles.** A careless action can cause severe injury within a fraction of a second.

Power tool use and care

- ▶ **Do not force the power tool. Use the correct power tool for your application.** The correct power tool will do the job better and safer at the rate for which it was designed.
- ▶ **Do not use the power tool if the switch does not turn it on and off.** Any power tool that cannot be controlled with the switch is dangerous and must be repaired.
- ▶ **Disconnect the plug from the power source and/or remove the battery pack, if detachable, from the power tool before making any adjustments, changing accessories, or storing power tools.** Such preventive safety measures reduce the risk of starting the power tool accidentally.
- ▶ **Store idle power tools out of the reach of children and do not allow persons unfamiliar with the power tool or these instructions to operate the power tool.** Power tools are dangerous in the hands of untrained users.
- ▶ **Maintain power tools and accessories. Check for misalignment or binding of moving parts, breakage of parts and any other condition that may affect the power tool's operation. If damaged, have the power tool repaired before use.** Many accidents are caused by poorly maintained power tools.
- ▶ **Keep cutting tools sharp and clean.** Properly maintained cutting tools with sharp cutting edges are less likely to bind and are easier to control.
- ▶ **Use the power tool, accessories and tool bits etc. in accordance with these instructions, taking into account the working conditions and the work to be performed.** Use of the power tool for operations different from those intended could result in a hazardous situation.
- ▶ **Keep handles and grasping surfaces dry, clean and free from oil and grease.** Slippery handles and grasping surfaces do not allow for safe handling and control of the tool in unexpected situations.

Service

- ▶ **Have your power tool serviced by a qualified repair person using only identical replacement parts.** This will ensure that the safety of the power tool is maintained.

2.2 Hammer safety warnings

Safety instructions for all operations

- ▶ **Wear ear protectors.** Exposure to noise can cause hearing loss.
- ▶ **Use auxiliary handle(s), if supplied with the tool.** Loss of control can cause personal injury.
- ▶ **Hold the power tool by insulated gripping surfaces, when performing an operation where the cutting accessory may contact hidden wiring or its own cord.** Cutting accessory contacting a "live" wire may make exposed metal parts of the power tool "live" and could give the operator an electric shock.



2.3 Additional safety instructions for breakers

Personal safety

- ▶ Use the product and accessories only when they are in perfect working order.
- ▶ Never tamper with or modify the product or accessories in any way.
- ▶ When chiseling into ceilings, walls and floors, always make sure that you have a safe and firm stance. A sudden break-through can affect your balance!
- ▶ Apply appropriate safety measures at the opposite side of the workpiece in work that involves breaking through. Parts breaking away could fall out and / or fall down causing injury to other persons.
- ▶ You and the other persons in the vicinity must wear suitable eye protection, a hard hat, ear protection, protective gloves and light respiratory protection while the product is in use.
- ▶ Wear protective gloves when changing the accessory tool. Touching the accessory tool can result in cuts and burns.
- ▶ Wear eye protection. Flying fragments can injure the body and eyes.
- ▶ Dust produced by grinding, sanding, cutting and drilling can contain dangerous chemicals. Some examples are: lead or lead-based paints; brick, concrete and other masonry products, natural stone and other products containing silicates; certain types of wood, such as oak, beech and chemically treated wood; asbestos or materials that contain asbestos. Determine the exposure of the operator and bystanders by means of the hazard classification of the materials to be worked. Implement the necessary measures to restrict exposure to a safe level, for example by the use of a dust collection system or by the wearing of suitable respiratory protection. The general measures for reducing exposure include:
 - ▶ working in an area that is well ventilated,
 - ▶ avoidance of prolonged contact with dust,
 - ▶ directing dust away from the face and body,
 - ▶ wearing protective clothing and washing exposed areas of the skin with water and soap.
- ▶ Take frequent breaks and do physical exercises to improve the blood circulation in your fingers. High vibration during long periods of work can lead to disorders of the blood vessels and nervous system in the fingers, hands and wrists.

Electrical safety

- ▶ Before beginning work, check the working area for concealed electric cables or gas and water pipes. External metal parts of the product could give you an electric shock or cause an explosion if you accidentally damage an electric cable or a gas or water pipe.

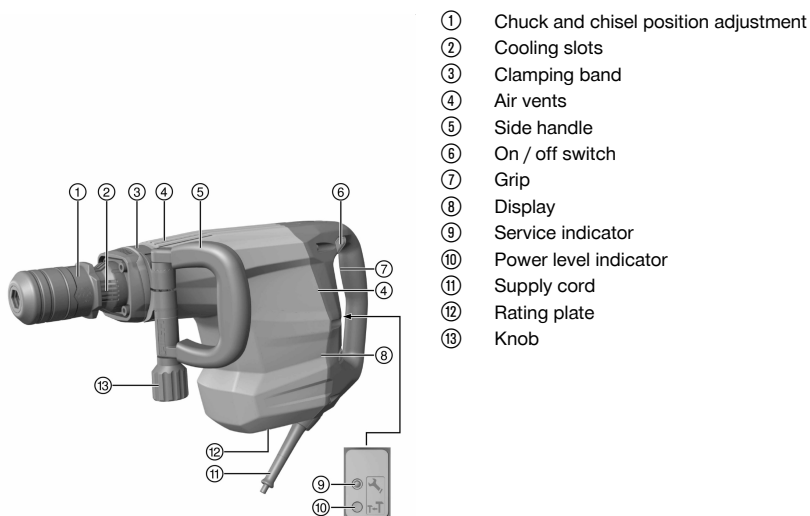
Power tool use and care

- ▶ Wait until the product has come to a complete stop before you lay it down.



3 Description

3.1 Product overview



- ① Chuck and chisel position adjustment
- ② Cooling slots
- ③ Clamping band
- ④ Air vents
- ⑤ Side handle
- ⑥ On / off switch
- ⑦ Grip
- ⑧ Display
- ⑨ Service indicator
- ⑩ Power level indicator
- ⑪ Supply cord
- ⑫ Rating plate
- ⑬ Knob

3.2 Intended use

The product described is an electrically-powered breaker with pneumatic hammering mechanism. It is designed for heavy chiseling work on masonry and concrete.

- ▶ Operation is permissible only when connected to a power source providing a voltage and frequency in compliance with the information given on the type identification plate.

3.3 Active Vibration Reduction (AVR)

The breaker is equipped with an Active Vibration Reduction (AVR) system, which greatly reduces vibration.

3.4 Service indicator

The breaker is equipped with a service indicator LED.

Status	Meaning
The service indicator lights.	End of service interval – servicing is due. Bring the product to Hilti Service in good time. This will help to ensure that it's always ready for use.

3.5 Power level indicator

The breaker is equipped with a power level indicator LED.



Status	Meaning
The power level indicator lights.	Chiseling power is reduced to 70%. Press the power level selector switch again to return to full chiseling power. The chiseling power level can be adjusted only when the tool is plugged in to the electric supply.

3.6 Items supplied

Breaker, side handle, operating instructions.

Other system products approved for use with this product can be found at your local **Hilti Store** or at: www.hilti.group | USA: www.hilti.com

4 Technical data

4.1 Breaker

For details of the rated voltage, current, frequency and/or input power, please refer to the power tool's country-specific type identification plate.

When powered by a generator or transformer, the generator or transformer's power output must be at least twice the rated input power shown on the rating plate of the power tool. The operating voltage of the transformer or generator must always be within +5% and -15% of the rated voltage of the power tool.

	TE 800-AVR
Rated power input	1,850 W
Single impact energy in accordance with EPTA procedure 05	21 J
Weight in accordance with EPTA procedure 01	10.6 kg

4.2 Noise information and vibration values in accordance with EN 62841

The sound pressure and vibration values given in these instructions were measured in accordance with a standardized test and can be used to compare one power tool with another. They can also be used for a preliminary assessment of exposure.

The data given represent the main applications of the power tool. However, if the power tool is used for different applications, with different accessory tools, or is poorly maintained, the data can vary. This can significantly increase exposure over the total working period.

An accurate estimation of exposure should also take into account the times when the power tool is switched off, or when it is running but not actually being used for a job. This can significantly reduce exposure over the total working period.

Identify additional safety measures to protect the operator from the effects of noise and/or vibration, for example: maintaining the power tool and accessory tools, keeping the hands warm, organization of work patterns.

Noise information

	TE 800-AVR
Sound (power) level (L_{WA})	98 dB(A)
Uncertainty for the sound power level (K_{WA})	3 dB(A)
Emission sound pressure level (L_{pA})	87 dB(A)
Uncertainty for the sound pressure level (K_{pA})	3 dB(A)

Vibration information

	TE 800-AVR
Chiseling ($a_{h, Cheq}$)	9 m/s ²
Uncertainty (K)	1.5 m/s ²



5 Operation

5.1 Preparations at the workplace

CAUTION

Risk of injury! Inadvertent starting of the product.

- ▶ Unplug the supply cord before making adjustments to the power tool or before changing accessories.

Observe the safety instructions and warnings in this documentation and on the product.

5.1.1 Fitting the side handle

CAUTION

Risk of injury! Loss of control over the breaker.

- ▶ Check that the side handle is fitted correctly and tightened securely.

- ▶ Fit the side handle.

5.1.2 Changing the accessory tool

WARNING

Risk of injury! The tool becomes hot as a result of use.

- ▶ Wear protective gloves when changing the tool.

1. Apply a little grease to the connection end of the accessory tool.
2. Push the accessory tool into the chuck as far as it will go (until it engages).
 - ▶ The product is ready for use.
3. Pull the chuck back as far as it will go and remove the accessory tool.



Use only the recommended grease supplied by **Hilti**. Use of unsuitable grease may cause damage to the product.

5.1.3 Removing the accessory tool

DANGER

Risk of fire! Risk of contact between the hot accessory tool and highly inflammable materials.

- ▶ Do not lay the hot accessory tool down on highly inflammable materials.

WARNING

Risk of injury! The tool becomes hot as a result of use.

- ▶ Wear protective gloves when changing the tool.

- ▶ Remove the accessory tool.

5.1.4 Positioning the chisel

CAUTION

Risk of injury! Loss of control over the chisel direction.

- ▶ Do not operate the tool when the selector switch is set to “Chisel positioning”. Turn the function selector switch until it engages in the “Chiseling” position.



The chisel can be adjusted to 6 different positions (in 60° increments). This ensures that flat chisels and shaped chisels can always be set to the optimum working position.

- ▶ Fit the accessory tool. → page 7

5.1.5 Setting the chiseling power

1. Press the power level selector switch.
 - ▶ The power level indicator lights yellow.



- ▶ Power is reduced to 70%.



Reduce the power to 70% when you wish to chisel with greater precision.



The chiseling power level can be adjusted only when the tool is plugged in to the electric supply.

2. Press the power level selector switch again to return to full chiseling power.

5.2 Types of work



WARNING

Risk of electric shock! Severe injury and burns can result if any attempt is made to operate the tool without an earth/ground conductor and ground fault circuit interrupter correctly connected.

- ▶ Irrespective of whether mains power or generator power is used, always make sure that an earth/ground conductor and ground fault circuit interrupter are present in the power supply and that these are correctly connected.
- ▶ Do not use the product unless these safety measures are in place and fully operational.



WARNING

A damaged supply cord presents a hazard! Do not touch the supply cord or extension cord if damaged while working. Disconnect the supply cord plug from the power outlet.

- ▶ Check the appliance's supply cord at regular intervals and have it replaced by a qualified specialist if found to be damaged.

Full approval must be obtained from the site engineer or architect prior to beginning the work.

5.2.1 Chiseling

1. Plug the supply cord into the power outlet.



Working at low temperatures: The hammering mechanism works only when the power tool has reached a minimum operating temperature. Bring the chisel into contact with the base material and allow the power tool to run under no load until the minimum operating temperature is reached. If necessary, repeat this procedure until the hammering mechanism begins to operate.

2. Bring the chisel into contact with the workpiece about 80 -100 mm (3 1/8" - 4") from its edge.
3. To switch the power tool on, push the on/off switch to the right.
 - ▶ The on/off switch remains engaged in this position (on the right).
4. To switch the power tool off, push the on/off switch to the left.
 - ▶ The on/off switch remains engaged in this position (on the left).



If inadequate pressure is applied, the chisel will jump around uncontrollably. Application of excessive pressure will result in a loss of chiseling performance.

When working close to reinforcing bars, always guide the tip of the chisel toward the edge of the workpiece, not toward a reinforcing bar.

6 Care and maintenance



WARNING

Electric shock hazard! Attempting care and maintenance with the supply cord connected to a power outlet can lead to severe injury and burns.

- ▶ Always unplug the supply cord before carrying out care and maintenance tasks.

Care

- Carefully remove stubborn dirt from the tool.
- Clean the air vents carefully with a dry brush.
- Use only a slightly damp cloth to clean the casing. Do not use cleaning agents containing silicone as they can attack the plastic parts.



Maintenance



WARNING

Danger of electric shock! Improper repairs to electrical components may lead to serious injuries including burns.

- ▶ Repairs to the electrical section of the tool or appliance may be carried out only by trained electrical specialists.
-
- Check all visible parts and controls for signs of damage at regular intervals and make sure that they all function correctly.
 - Do not operate the product if signs of damage are found or if parts malfunction. Have it repaired immediately by **Hilti Service**.
 - After cleaning and maintenance, fit all guards or protective devices and check that they function correctly.



To help ensure safe and reliable operation, use only genuine Hilti spare parts and consumables. Spare parts, consumables and accessories approved by Hilti for use with the product can be found at your local **Hilti Store** or online at: www.hilti.group.

7 Transport and storage

Transport

- ▶ Do not transport this product with an accessory tool installed.
- ▶ Make sure that the equipment is held securely throughout all transport operations.
- ▶ After transporting, always check all visible parts and controls for signs of damage and make sure that they all function correctly.

Storage

- ▶ Always store this product with the electric supply cable unplugged from the electricity supply.
- ▶ Store this product in a dry place, where it cannot be accessed by children or unauthorized persons.
- ▶ After a long period of storage, always check all visible parts and controls for signs of damage and make sure that they all function correctly.

8 Troubleshooting

If the trouble you are experiencing is not listed in this table or you are unable to remedy the problem by yourself, please contact **Hilti Service**.

8.1 Troubleshooting

Trouble or fault	Possible cause	Action to be taken
The power tool doesn't start.	Electronics initialization in progress (takes up to 1 second after plugging in) or the electronic restart safety interlock has been activated after an interruption in the electric supply.	▶ Switch the power tool off and then on again.
	Interruption in the electric supply.	▶ Plug in another power tool or appliance and check whether it works.
	The supply cord or plug is defective.	▶ Have the parts checked by a trained electrical specialist and replaced if necessary.
	The control switch is defective.	▶ Have the power tool checked by a trained electrical specialist and the carbon brushes replaced if necessary.
	Generator in sleep mode	▶ Apply a load to the generator by connecting a second power consumer (e.g. worklight).



Trouble or fault	Possible cause	Action to be taken
The power tool doesn't start and the service indicator lights red.	The carbon brushes are worn.	▶ Have the parts checked by a trained electrical specialist and replaced if necessary.
	A fault has occurred in the tool.	▶ Have the tool repaired by Hilti Service .
No hammering action.	The power tool is too cold.	▶ Bring the tip of the drill bit or chisel into contact with the workpiece and allow the power tool to run under no load until it reaches the minimum operating temperature.
	A fault has occurred in the tool.	▶ Have the tool repaired by Hilti Service .
The power tool doesn't start.	Electronics initialization in progress (takes up to 1 second after plugging in) or the electronic restart safety interlock has been activated after an interruption in the electric supply.	▶ Switch the power tool off and then on again.
	Interruption in the electric supply.	▶ Plug in another power tool or appliance and check whether it works.
	The supply cord or plug is defective.	▶ Have the parts checked by a trained electrical specialist and replaced if necessary.
	The control switch is defective.	▶ Have the power tool checked by a trained electrical specialist and the carbon brushes replaced if necessary.
	Generator in sleep mode	▶ Apply a load to the generator by connecting a second power consumer (e.g. worklight).
The power tool starts and the service indicator lights red.	The service indicator lights.	▶ Have the power tool serviced or repaired by Hilti Service .
The tool does not achieve full power.	Power reduction is active.	▶ Press the power level selector switch (observe the power level indicator). Switch the power tool off and then on again.
	The extension cord is too long or its gauge is inadequate.	▶ Use an extension cord with an adequate conductor cross section. (1.5 mm ² for lengths up to 40 m; 2.5 mm ² for lengths up to 65 m).
	The voltage provided by the electric supply is too low.	▶ Connect the power tool to a different electric supply.
The chisel cannot be released from the chuck.	The chuck is not pulled back fully.	▶ Pull the chuck back as far as it will go and remove the accessory tool.

9 Disposal

Most of the materials from which **Hilti** tools and appliances are manufactured can be recycled. The materials must be correctly separated before they can be recycled. In many countries, your old tools, machines or appliances can be returned to **Hilti** for recycling. Ask **Hilti Service** or your Hilti representative for further information.



- ▶ Do not dispose of power tools, electronic equipment or batteries as household waste!



10 RoHS (Restriction of Hazardous Substances)

Click on the link to go to the table of hazardous substances: qr.hilti.com/r3140904.
There is a link to the RoHS table, in the form of a QR code, at the end of this document.

11 Manufacturer's warranty

- ▶ Please contact your local **Hilti** representative if you have questions about the warranty conditions.



1 מידע על הוראות ההפעלה

1.1 על הוראות הפעלה אלו

- קרא את הוראות ההפעלה האלה במלואן לפני השימוש הראשון. רק כך ניתן להבטיח עבודה בטוחה ונטולת תקלות.
- שים לב להוראות הבטיחות ולאזהרות שבהוראות הפעלה אלה ושעל המוצר.
- שמור את הוראות ההפעלה תמיד בצמוד למוצר, ואם אתה מעביר את המוצר לאדם אחר, צרף תמיד את הוראות ההפעלה האלה.

1.2 הסבר הסימנים

1.2.1 אזהרות

האזהרות מזהירות מפני סכנות בשימוש במוצר. במדריך זה מופיעות מילות המפתח הבאות:

סכנה ⚠

סכנה!

מציינת סכנה מיידית, המובילה לפציעות גוף קשות או למוות.

אזהרה ⚠

אזהרה!

מציינת סכנה אפשרית, שיכולה להוביל לפציעות גוף קשות או למוות.

זהירות ⚠

זהירות!

מציינת מצב שעלול להיות מסוכן ולהוביל לפציעות גוף או לנזקים לרכוש.

1.2.2 סמלים בהוראות ההפעלה

הסמלים הבאים מופיעים בהוראות הפעלה אלה:

שים לב להוראות הפעלה	
הנחיות לשימוש ומידע שימושי נוסף	
טיפול נכון בחומרים למיחזור	
אין להשליך לפסולת הביתית מכשירים חשמליים וסוללות	

1.2.3 סמלים באיורים

הסמלים הבאים משמשים באיורים:

מספרים אלה מפנים לאיור המתאים בתחילת הוראות הפעלה אלה.	2
המספרים באיורים מפנים לשלבי עבודה חשובים או לרכיבים שחשובים לשלבי העבודה. שלבי עבודה אלה או רכיבים אלה מודגשים בטקסט במספרים מתאימים, לדוגמה (3).	3
מספרי הפריטים מופיעים באיור סקירה ותואמים את המספרים במקרא בפרק סקירת המוצר .	11
סימן זה אמור לעורר את תשומת לבך המיוחדת בעת השימוש במוצר.	

1.3 סמלים התלויים בדגם המוצר

1.3.1 סמלים על המוצר

הסמלים הבאים מופיעים על המוצר:

חיווי טיפולים	
---------------	--



1.4 פרטי המוצר

המוצרים של Hilti מיועדים למשתמש המקצועי, ורק אנשים מורשים, שעברו הכשרה מתאימה, רשאים לתפעל, לתחזק ולתקן אותם. אנשים אלה חייבים ללמוד באופן מיוחד את הסכנות האפשריות. המוצר המתואר והעדרים שלו עלולים להיות מסוכנים כאשר אנשים שלא עברו הכשרה מתאימה משתמשים בהם באופן לא מקצועי או כאשר נעשה בהם שימוש שלא בהתאם ליעוד. שם הדגם והמספר הסידורי מצוינים על לוחית הדגם.

רשום את המספר הסידורי בטבלה הבאה. בכל פנייה לנציגינו או למעבדת שירות יש לציין את נתוני המוצר.

נתוני המוצר

TE 800-AVR	פטיש חציבה
01	דור
	מס' סידורי

1.5 הצהרת תאימות

אנו מצהירים באחריותנו הבלעדית כי המוצר המתואר כאן תואם את התקנות והתקנים התקפים. בסוף תיעוד זה ישנו צילום של הצהרת התאימות.

התיעוד הטכני שמור כאן:

Hilti Entwicklungsgesellschaft mbH | Zulassung Geräte | Hiltistraße 6 | 86916 Kaufering, DE

2 בטיחות
2.1 הוראות בטיחות כלליות לכלי עבודה חשמליים

⚠ אזהרה קרא את כל הוראות הבטיחות, ההנחיות, האירורים והבתונים הטכניים המצורפים לכלי העבודה החשמלי. אי ציות להנחיות עלול להוביל להתחשמלות, לשרפה ו/או לפציעות קשות.

שמור את כל הוראות הבטיחות וההנחיות לעיון בעתיד.

המונח "כלי עבודה חשמלי" המשמש בהוראות הבטיחות מתייחס לכלי עבודה חשמליים המחוברים לרשת החשמל (עם כבל חשמל) או לכלי עבודה חשמליים המופעלים באמצעות סוללה נטענת (ללא כבל חשמל).

בטיחות במקום העבודה

שמור על אזור העבודה שלך בקי ודאג לתאורה מספקת. חוסר סדר או תאורה לקויה במקום העבודה עלולים לגרום לתאונות.

אין להפעיל את כלי העבודה החשמלי בסביבה שקיימת בה סכנת פיצוץ או שישים בה נחלים, גדים או אבק דליקים. כלי עבודה חשמליים יוצרים ניצוצות, שעלולים להצית את האבק או האדים.

הרחק ילדים ואנשים אחרים מכלי העבודה החשמלי במהלך השימוש בו. אם דעתך תוסח אתה עלול לאבד את השליטה במכשיר.

בטיחות בחשמל

תקע החשמל של כלי העבודה החשמלי חייב להתאים לשקע החשמל. אסור לשנות בשום אופן את תקע החשמל. אל תשתמש בשקע מתאם ביחד עם כלי עבודה חשמליים הכוללים הגנת הארקה. שימוש בתקעים חשמליים שלא עברו אינן ושקעי חשמל מתאימים מפחית את הסיכון להתחשמלות.

מנע מגע של הגוף בשטחים מוארקים כגון צינורות, גופי חימום, תנורים ומקררים. קיימת סכנה גבוהה להתחשמלות כאשר הגוף שלך מוארק.

הרחק כלי עבודה חשמליים מגשם או רטיבות. חדרית מים לכלי העבודה החשמלי מגדילה את הסיכון להתחשמלות.

אל תשתמש בכבל החשמל למטרות שלא לשמן הוא נועד, לדוגמה: אל תרים את כלי העבודה החשמלי באמצעות הכבל ואל תנסה לנתק את התקע משקע החשמל במשיכה מהכבל. הרחק את הכבל מחום, שמן, פינות חדות או מחלקים נעים. כבלים שנידוקו או שהסתבכו בחלקים אחרים מגדילים את הסיכון להתחשמלות.

כאשר אתה עובד עם כלי העבודה החשמלי בחוץ, השתמש רק בכבל מאריך המיועד לשימוש חיצוני. שימוש בכבל מאריך המתאים לשימוש חיצוני מפחית את הסיכון להתחשמלות.

אם לא ניתן להימנע משימוש בכלי העבודה החשמלי בסביבה לחה, השתמש בממסר פחת. השימוש בממסר פחת מפחית את הסיכון להתחשמלות.

בטיחות של אנשים

היה ערבי, שים לב למה שאתה עושה, ופעל בתבונה כאשר אתה עובד עם כלי עבודה חשמלי. אל תפעיל כלי עבודה חשמליים כשאתה עייף או תחת השפעת סמים, אלכוהול או תרופות. די ברגע אחד של חוסר תשומת-לב בדמן השימוש בכלי העבודה החשמלי כדי לגרום פציעות קשות.

לבש תמיד ציוד מגן ומשקפי מגן. לבישת ציוד מגן אישי, כגון מסכת אבק, נעלי בטיחות מונעות החלקה, קסדת מגן או מגני שמיעה - בהתאם לסוג השימוש בכלי העבודה החשמלי - מקטינה את הסיכון לפציעות.



- ◀ **מנע הפעלה בשוגג.** ודא שכלי העבודה החשמלי כבוי לפני שאתה מחבר אותו לאספקת החשמל ו/או לפני שאתה מחבר את הסוללה ולפני הרמתו. אל תניח את אצבעך על המתג בזמן שאתה נושא את המכשיר ואל תחבר אותו לאספקת החשמל כאשר הוא מופעל, אחרת עלולות להיגרם תאונות.
 - ◀ **הרחק כלי כוונון או מפתחות ברגים לפני שאתה מפעיל את כלי העבודה החשמלי.** כלי עבודה או מפתחות הנמצאים בקרבת חלקים מסתובבים עלולים לגרום פציעות.
 - ◀ **הימנע מתנוחות גוף לא נכונות.** עמוד באופן יציב ושומר תמיד על שיווי משקל. כך תוכל לשלוט טוב יותר בכלי העבודה החשמלי במצבים לא צפויים.
 - ◀ **לבש בגדים מתאימים.** אל תלבש בגדים רחבים או תכשיטים. הרחק את השער, הבגדים וכפפות מחלקים נעים. בגדים רופפים, תכשיטים ושער ארוך עלולים להיתפס בחלקים נעים.
 - ◀ **כאשר ניתן להתקיין התקני שאיבת אבק ולכידה יש לוודא שהם מחוברים לחשמל, ויש להקפיד להשתמש בהם בצורה נכונה.** שימוש בהתקן שאיבת אבק מקטין את הסכנות הנובעות מהאבק.
 - ◀ **אל תהיה שואן בנושאי בטיחות ואל תתעלם מהוראות בטיחות של כלי עבודה חשמליים, גם אם שהשתמשת במכשיר פעמים רבות ואתה מכיר אותו היטב.** התנהגות רשלנית עלולה להוביל לפציעות קשות בתוך שניות.
- שימוש וטיפול בכלי העבודה החשמלי**
- ◀ **אל תפעיל עומס רב מדי על המכשיר.** השתמש בכלי העבודה החשמלי המתאים לעבודה שאתה מבצע. כלי העבודה החשמלי המתאים מבטיח לך עבודה טובה ובטוחה יותר בתחום ההספק הנקוב.
 - ◀ **אל תשתמש בכלי העבודה אם המתג שלו אינו תקין.** כלי עבודה חשמלי שלא ניתן עוד להפעיל או לכבות אותו מהווה סכנה ויש לתקבו.
 - ◀ **נתק את תקע החשמל מהשקע ו/או הסר את הסוללה לפני שאתה מבצע כוונונים במכשיר, מחליף כלים או לאחר שאתה מפסיק לעבוד עם המכשיר.** אמצעי זהירות זה מונע הפעלה בשוגג של כלי העבודה החשמלי.
 - ◀ **שמור כלי עבודה חשמליים שאינם בשימוש הרחק מהישג ידם של ילדים.** אל תאפשר לאנשים שאינם יודעים כיצד להשתמש במכשיר או שלא קראו את ההוראות להשתמש במכשיר. כלי עבודה חשמליים הם מסוכנים כאשר משתמשים בהם אנשים חסרי ניסיון.
 - ◀ **טפל בכלי עבודה חשמליים ובאביזרים בהקפדה.** בדוק אם החלקים הנעים פועלים בצורה חלקה ואינם נתקעים, אם ישנם חלקים שבורים או מקולקלים המשבשים את הפעולה התקינה של כלי העבודה החשמלי. לפני השימוש במכשיר דאג לתיקון חלקים לא תקינים. תאונות רבות נגרמו עקב תחזוקה לקויה של כלי עבודה חשמליים.
 - ◀ **שמור על כלי החיתוך חדים ונקיים.** כלי חיתוך מטופלים היטב, שלהביהם חדים נתקעים פחות וקלים יותר לתפעול.
 - ◀ **השתמש בכלי העבודה החשמלי, באביזרים, בכלי העבודה הנוספים וכן הלאה בהתאם להוראות אלה.** התחשב בתנאי העבודה ובפעולה שעליך לבצע. שימוש בכלי העבודה החשמלי למטרות אחרות מאלה שלשמן הוא מיועד עלול להיות מסוכן.
 - ◀ **שמור על ידיות ואזורים אחיזה קבילים מלכלוך משומן ומגריז.** ידיות ואזורים אחיזה חלקים אינם מאפשרים תפעול בטוח ושלטיטה טובה בכלי העבודה החשמלי במצבים לא צפויים.

- שירות**
- ◀ **דאג לתיקון כלי העבודה החשמלי שלך רק בידי טכנאים מוסמכים, המשתמשים בחלקי חילוף מקוריים בלבד.** כך תבטיח שמירה על בטיחות העבודה במכשיר.

2.2 הוראות בטיחות לפטישוניים

הנחיות בטיחות לכל העבודות

- ◀ **השתמש במגני שמיעה.** רעש חזק עלול לפגוע בשמיעה.
- ◀ **השתמש בידידות האחיזה הנוספות המצורפות למכשיר.** אובדן השליטה במכשיר עלול לגרום לפציעות.
- ◀ **אחד במכשיר במקומות האחיזה המבודדים כאשר אתה מבצע עבודות שבהן כלי הקידוח עלול לפגוע בקווי חשמלי מוסתרים או בכבל החשמל של המכשיר.** מגע בקווים המוליכים זרם עלול להעביר זרם גם לחלקים מתכתיים במכשיר שלך ולגרום להתחשמלות.

2.3 הוראות בטיחות נוספות לפטישי חציבה

בטיחות של אנשים

- ◀ **השתמש במוצר ובאביזרים רק בתנאי שהם נמצאים במצב טכני מושלם.**
- ◀ **אל תבצע בשום אופן שינויים או מניפולציות במוצר או באביזרים.**
- ◀ **הקפד על עמידה יציבה בעת חציבה בתקרה, בקיר וברצפה.** פריצה פתאומית עלולה לגרום לך לאבד שיווי משקל!
- ◀ **בעבודות פריצה יש לאבטח את האזור בצד הנגדי של מקום העבודה שלך.** חומרים מעבודות הפריצה עשויים ליפול ולפצוע אנשים אחרים.
- ◀ **במהלך העבודה גם אתה וגם אנשים הנמצאים בקרבת מקום צריכים לחבוש משקפי מגן מתאימים, קסדת הגנה, להשתמש במגני שמיעה וללבוש מסכת נשימה קלה.**
- ◀ **לבש נעלי בטיחות בעת החלפת כלי.** מגע בכלי עלול לגרום לפציעות ולכוויות.
- ◀ **השתמש במגני עיניים.** שבבי חומר שניתזים עלולים לפצוע את הגוף והעיניים.



- ◀ אבק שנוצר במהלך ליטוש, השחזה, חיתוך או קידוח עלול להכיל כימיקלים מסוכנים. להלן כמה דוגמאות: עופרת או צבעים על בסיס עופרת; לבנים, בטון וחומרי קיר אחרים, אבן טבעית ומוצרים אחרים המכילים סיליקט; עצים מסוימים, כגון אלון, בוק ועץ שעבר טיפול כימי; אסבסט או חומרים המכילים אסבסט. יש למדוד את חשיפת המשתמש והאנשים בסביבה על פי דירוג הסכנה של החומרים שבהם עובדים. נקט את האמצעים הדרושים כדי לשמור את החשיפה ברמה בטוחה, לדוגמה שימוש במערכות שאיבת אבק או לבישת מסיכת נשימה מתאימה. להלן רשימה של אמצעים כלליים להפחתת החשיפה:
 - ◀ עבודה באזור מאוורר היטב.
 - ◀ הימנעות ממגע ממושך עם האבק.
 - ◀ סילוק האבק מהפנים והגוף.
 - ◀ לבישת ביגוד מגן ושטיפת אזורים חשופים במים וסבון.
- ◀ ערוך הפסקות תכופות ותרגילים לשיפור זרימת הדם לאצבעות. בעבודה ממושכת הרעידות החזקות מהמכשיר עשויות לגרום להפרעות בכלי הדם או במערכת העצבים של האצבעות, כפות הידיים או שורשי כף היד.

בטיחות בחשמל

- ◀ לפני תחילת העבודה בדוק אם ישנם כבלי חשמל, צינורות גז או מים נסתרים. חלקים מתכתיים חיצוניים על המכשיר עלולים לגרום התחשמלות או פיצוץ כאשר פוגעים בכבל חשמל, בצינור גז או מים.

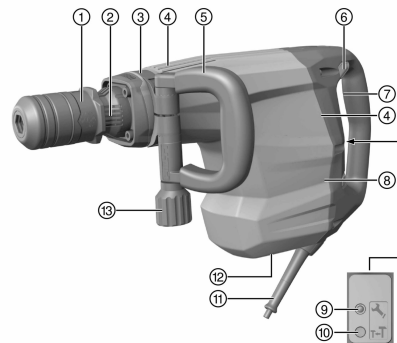
טיפול ושימוש קפדניים בכלי עבודה חשמליים

- ◀ המתן עד לעצירה מלאה של המוצר לפני שאתה מניח אותו.

3 תיאור

3.1 סקירת המוצר 1

- ① תפסנית ומיקום האדמל
- ② חריצי קירור
- ③ חבק הידוק
- ④ חריצי אוורור
- ⑤ ידית אחיזה צדית
- ⑥ מתג הפעלה/כיבוי
- ⑦ ידית אחיזה
- ⑧ שדה תצוגה
- ⑨ חייווי טיפולים
- ⑩ חייווי הספק
- ⑪ כבל חשמל
- ⑫ לוחית דגם
- ⑬ כפתור הידוק



3.2 שימוש בהתאם ליעוד

- המוצר המתואר זהו פטיש חציבה בעל מערכת הלימה פניאומטית. הוא מיועד לעבודות חציבה בדרגת קושי גבוהה בקירות ובבטון.
 - ◀ מותר לחבר את המכשיר רק לרשת חשמל בעלת מתח ותדירות כמצוין על לוחית הדגם.

3.3 Active Vibration Reduction (AVR)

- פטיש החציבה מצויד במערכת Active Vibration Reduction (AVR), המפחיתה את הרעידות באופן משמעותי ביותר.



3.4 חיווי טיפולים

פטיש החציבה כולל נורית חיווי טיפולים.

מזב	משמעות
חיווי הטיפולים מאיר.	הגיע מועד הטיפול במכשיר. הבא את המכשיר בדמן למעבדת שירות של Hilti. כך מכשירך יהיה תמיד כשיר לעבודה.

3.5 חיווי עוצמה

פטיש החציבה כולל חיווי הספק באמצעות נורה.

מזב	משמעות
חיווי ההספק מאיר.	הספק החציבה ירד ל-70%. כדי לבצל את מלוא הספק החציבה לחץ שוב על מתג בחירת ההספק. ניתן לקבוע את הספק החציבה רק כאשר המכשיר מחובר למקור מתח.

3.6 מפרט אספקה

פטיש חציבה, ידית אחיזה צדית, הוראות הפעלה.

מוצרים נוספים המאושרים עבור המוצר שלך תמצא ב-Hilti Store או בכתובת: www.hilti.group | ארה"ב: www.hilti.com

4 נתונים טכניים

4.1 פטיש חציבה

את המתח הנקוב, הזרם הנקוב, התדירות ו/או ההספק הנקוב תמצא בלוחית הדגם הספציפית למדינתך.



בעת הפעלה באמצעות גנרטור או שנאי הספק המוצא שלהם חייב להיות לפחות כפול מההספק הנקוב המצוין על לוחית הדגם של המכשיר. מתח העבודה של השנאי או הגנרטור חייב להימצא תמיד בטווח שבין +5% לבין -15% ביחס למתח הנקוב של המכשיר.

TE 800-AVR	הספק נקוב
1,850 ואט	
21 ג'אול	אנרגיית הלימה בודדת לפי תהליך EPTA מס' 05
10.6 ק"ג	משקל בהתאם להליך EPTA 01

4.2 ערכי רעש לפי EN 62841

ערכי לחץ הקול והרעידות המצוינים בהוראות אלה נמדדו בהתאם לנוהל המדידה התקני, וכינתן להשתמש בהם לצורך השוואה בין כלי עבודה חשמליים. הם מתאימים גם להערכה זמנית של העומסים.

הנתונים המצוינים תקפים לשימושים העיקריים בכלי העבודה החשמלי. אולם אם משתמשים בכלי העבודה החשמלי לשימושים אחרים, בשילוב אביזרים אחרים או אם המכשיר אינו עובר תחזוקה מספקת, הנתונים עשויים להשתנות. בעקבות זאת פריסת העומסים למשך זמן העבודה כולו עשויה להיות גבוהה באופן משמעותי.

לצורך הערכה מדויקת של העומסים יש לקחת בחשבון גם את הזמנים שבהם כלי העבודה כבוי או שבהם הוא אמנם פועל אך אינו בשימוש בפועל. בעקבות זאת פריסת העומסים למשך זמן העבודה כולו עשויה להיות נמוכה באופן משמעותי.

יש לקבוע הנחיות בטיחות נוספות להגנה על המשתמש מפני ההשפעות של קול ו/או רעידות, כגון: תחזוקה של כלי העבודה החשמלי ושל כלי העבודה המחבורים, שמירה על ידיים חמות, ארגון תהליכי העבודה.

מידע על רעשים

TE 800-AVR	רמת הספק קול (L_{WA})
98 dB(A)	
3 dB(A)	אי-ודאות ברמת הספק הקול (K_{WA})
87 dB(A)	רמת לחץ קול נפלטת (L_{pA})
3 dB(A)	אי-ודאות ברמת לחץ קול (K_{pA})



TE 800-AVR	
9 מ' / שני ²	חציבה (a_n, C_{req})
1.5 מ' / שני ²	אי ודאות (K)

5 תפעול
5.1 הכנה לעבודה
⚠️ זהירות

סכנת פציעה! תחילת תנוע לא מכוונת של המוצר.

⬅ נתק את תקע החשמל לפני שאתה מבצע כוונונים במכשיר או מחליף אביזרים.

ציית להוראות הבטיחות והאזהרות שבתייעוד זה ולא לה המצוינות על המוצר.

5.1.1 התקנת ידית האחיזה הצדית 2
⚠️ זהירות

סכנת פציעה אובדן השליטה על פטיש החציבה.

⬅ ודא כי ידית האחיזה הצדית מותקנת בצורה נכונה ומהודקת היטב.

⬅ התקן את ידית האחיזה הצדית.

5.1.2 החלפת כלי 3
⚠️ אזהרה

סכנת פציעה הכלי מתחמם במהלך השימוש.

⬅ לבש געלי בטיחות בעת החלפת כלי.

1. שמן קלות את הקנה של הכלי.
2. הכנס את קנה הכלי לתפסנית עד הסוף ואפשר לו להינעל.
⬅ המוצר מוכן לעבודה.
3. משוך את נעילת הכלים אחורה עד הסוף והוצא את הכלי.

השתמש רק בגריד מקורי של **Hilti**. שימוש בגריד לא מתאים עלול לגרום נזק למוצר.


5.1.3 הוצאת הכלי 4
⚠️ סכנה

סכנת שרפה סכנה בעת מגע בין כלים חמים וחומרים דליקים.

⬅ אל תניח כלי חם על חומרים דליקים מאוד.

⚠️ אזהרה

סכנת פציעה הכלי מתחמם במהלך השימוש.

⬅ לבש געלי בטיחות בעת החלפת כלי.

⬅ הוצא את הכלי.

5.1.4 מיקום האזמל
⚠️ זהירות

סכנת פציעה אובדן השליטה על כיוון החציבה.

⬅ אל תעבוד במצב "מיקום האזמל". העבר את בורר הפעולות למצב "חציבה" עד שהוא ננעל.

ניתן למקם את האזמל ב-6 מצבים שונים (מרווחים של 60°). כך ניתן לעבוד באזמלים שטוחים ומעוצבים במצב העבודה הטוב ביותר.



5.1.5 קביעת הספק החציבה

1. לחץ על מתג בחירת ההספק.
 - ◀ חיזוי ההספק מאיר בצהוב.
 - ◀ ההספק יורד ל-70%.

אם ברצונך לחצוב בצורה מדויקת, הפחת את ההספק ל-70%.



כדי לקבוע את ההספק, המכשיר חייב להיות מחובר למקור מתח.



2. כדי לחזור ולחצוב בהספק מלא לחץ על מתג בחירת ההספק.

5.2 עבודה

⚠ אזהרה

- סכנת התחשמלות!** מוליך הארקה חסר ומפסק פחת חסר עשויים לגרום לפציעות קשות ולכוויות.
- ◀ ודא שבקווים החשמליים של אתר הבנייה – שמגיעים מרשת החשמל או מהגנרטור – ישנם תמידי מוליך הארקה ומפסק פחת מחוברים.
 - ◀ אל תפעיל אף מוצר ללא אמצעי בטיחות אלה.

⚠ אזהרה

- סכנה עקב כבל פגום!** אם כבל החשמל או הכבל המאריך ניזוקו במהלך העבודה אסור לגעת בכבל. נתק את תקע החשמל משקע רשת החשמל.
- ◀ בדוק באופן סדיר את כבל החשמל של המכשיר, ובמקרה שדיהית נדקים פנה לבעל מקצוע מורשה לצורך החלפתו.

בקש אישור לעבודות במלואן ממנהל האתר.

5.2.1 חציבה

1. חבר את תקע החשמל לשקע רשת החשמל.



עבודה בטמפרטורות נמוכות: המכשיר זקוק לטמפרטורות מינימום מסוימת לפני שמערכת ההלימה תתחיל לעבוד. כדי להגיע לטמפרטורה זו יש להצמיד את המכשיר עם הכלי לחומר ולאפשר למכשיר לעבוד במהירות סרק לזמן קצר. במקרה הצורך חזור על תהליך זה עד שמערכת ההלימה מתחילה לעבוד.

2. הצב את האדמל כ-80-100 מ"מ ($3\frac{1}{8}'' - 4''$) מהקצה.
3. כדי להפעיל את המכשיר לחץ על מתג ההפעלה/כיבוי ימינה.
 - ◀ מתג ההפעלה/כיבוי יינעל בעמדה הימנית.
4. כדי לכבות את המכשיר לחץ על מתג ההפעלה/כיבוי שמאלה.
 - ◀ מתג ההפעלה/כיבוי יינעל בעמדה השמאלית.



עוצמת לחיצה נמוכה מדי תגרום לאדמל לקפוץ. עוצמת לחיצה גדולה מדי תפחית את תפוקת העבודה של האדמל. בעבודה עם ברזל זיון, הולך את האדמל תמיד כנגד קצה החומר ולא כנגד מוטות הזיון.

6 טיפול ותחזוקה

⚠ אזהרה

- סכנת התחשמלות!** עבודות טיפול ותחזוקה כאשר תקע החשמל מחובר לשקע עלולות להוביל לפציעות ולכוויות קשות.
- ◀ לפני ביצוע עבודות טיפול או תחזוקה כלשהן יש להקפיד ולנתק את תקע החשמל!

טיפו

- הסר בזהירות לכלוך שנדבק.
- נקה בזהירות את חריצי האוויר באמצעות מברשת יבשה.
- נקה את גוף המכשיר רק בעזרת מטלית לחה מעט. אין להשתמש בחומרי טיפול המכילים סיליקון, מאחר שהם עלולים לפגוע בחלקי הפלסטיק.



כרכת התחשמלות: תיקון לא מקצועי של רכיבים חשמליים עלול לגרום לפציעות קשות ולכוויות.
 רק חשמלאים מורשים רשאים לבצע תיקונים ברכיבים חשמליים.

- יש לבדוק באופן סדיר את כל החלקים הגלויים כדי לאתר נזקים ולוודא שכל הרכיבים פועלים באופן תקין.
- אם ישנם נזקים ו/או תקלות אין להפעיל את המוצר. הבא מיד את המכשיר לתיקון במעבדת שירות של **Hilti**.
- לאחר עבודות טיפול ותחזוקה יש להקפיד ולחבר את כל התקני ההגנה ולבדוק את תפקוד המכשיר.

לצורך הפעלה בטוחה של המכשיר יש להשתמש רק בחלקי חילוף וחומרים מתכלים מקוריים. את חלקי החילוף, החומרים המתכלים והאביזרים שאושרו על-ידנו עבור המוצר שלך תמצא ב- **Hilti Store** שלך או בכתובת: www.hilti.group.

7 הובלה ואחסון

הובלה

- אין להוביל את המוצר כאשר מחובר אליו כלי עבודה.
- ודא שהמכשיר יציב בהובלה.
- לאחר כל הובלה בדוק את כל החלקים הגלויים לאיתור נזקים ובדוק תפקוד תקין של כל רכיבי ההפעלה.

אחסון

- יש להקפיד לנתק את התקע לפני האחסון.
- יש לאחסן מוצר זה במקום יבש הרחוק מהישג ידם של ילדים ואנשים לא מורשים.
- לאחר כל אחסון ממושך בדוק את כל החלקים הגלויים לאיתור נזקים ובדוק תפקוד תקין של כל רכיבי ההפעלה.

8 תיקון תקלות

אם מתרחשת תקלה שאינה מוסברת בטבלה זו או שאינך יכול לתקן בעצמך, פנה לשירות של **Hilti**.

8.1 איתור תקלות

תקלה	סיבה אפשרית	פתרון
המכשיר אינו מתחיל לפעול.	מתבצע אתחול של המערכת האלקטרונית (עד כשנייה אחת החל מחיבור התקע לשקע), או חסימת ההפעלה האלקטרונית הופעלה בעקבות ניתוק באספקת החשמל.	כבה את המכשיר והדלק אותו מחדש.
	אספקת החשמל נותקה.	חבר מכשיר חשמלי אחר ובדוק אם הוא פועל.
	כבל החשמל או תקע החשמל אינם תקינים.	מסור לחשמלאי לבדיקה, ובמקרה הצורך החלף.
	מתג ההפעלה אינו תקין.	הבא את המכשיר לבדיקה אצל חשמלאי מורשה, והחלף את מברשות הפחם במקרה הצורך.
	גנרטור במצב שינה	העמס על הגנרטור צרכן שני (כגון תאורת אתר בייח).
המכשיר אינו מתחיל לפעול וחיווי הטיפולים מאיר באדום.	מברשות פחם נשחקו.	מסור לחשמלאי מוסמך לבדיקה, ובמקרה הצורך החלף.
	נזקים למכשיר.	הבא את המכשיר לתיקון במעבדת שירות של Hilti .
אין הלימה.	המכשיר קר מדי.	הצמד את המכשיר לחומר ואפשר לו להסתובב במהירות סרק עד שיתחמם לטמפרטורת העבודה.
	נזקים למכשיר.	הבא את המכשיר לתיקון במעבדת שירות של Hilti .



תקלה	סיבה אפשרית	פתרון
המכשיר אינו מתחיל לפעול.	מתבצע אתחול של המערכת האלקטרונית (עד כשנייה אחת החל מחיבור התקע לשקע), או חסימת ההפעלה האלקטרונית הופעלה בעקבות ניתוק באספקת החשמל.	כבה את המכשיר והדלק אותו מחדש.
	אספקת החשמל נותקה.	חבר מכשיר חשמלי אחר ובדוק אם הוא פועל.
	כבל החשמל או תקע החשמל אינם תקינים.	מסור לחשמלאי לבדיקה, ובמקרה הצורך החלף.
	מתג ההפעלה אינו תקין.	הבא את המכשיר לבדיקה אצל חשמלאי מורשה, והחלף את מברשות הפחם במקרה הצורך.
	גנרטור במצב שינה	העמס על הגנרטור צרכן שני (כגון תאורת אתר בנייה).
המכשיר פועל וחיווי הטיפולים מאיר באדום.	חיווי הטיפולים מאיר.	הבא את המכשיר לטיפול או לתיקון במעבדת שירות של Hilti.
המכשיר אינו פועל בעוצמה מלאה.	נקבע הספק עבודה מופחת.	לחץ על מתג בחירת ההספק (שים לב לחיווי ההספק). כבה את המכשיר והדלק אותו מחדש.
	הכבל המאריך ארוך מדי ו/או הקוטר שלו קטן מדי.	השתמש בכבל מאריך שחתך הרוחב שלו גדול מספיק. (1.5 מ"ר עד 40 מ'; 2.5 מ"ר עד 65 מ').
	מתח אספקת החשמל נמוך מדי.	חבר את המכשיר למקור מתח אחר.
לא ניתן לשחרר את האזמל מהנעילה.	התפסנית לא נמשכה לאחור עד הסוף.	משוך את נעילת הכלים אחורה עד הסוף והוצא את הכלי החוצה.

9 סילוק

המוצרים של Hilti מיוצרים בחלקם מגדול מחומרים ביתנים למיחזור. כדי שניתן יהיה למחזרם דרושה הפרדת חומרים מקצועית. במדינות רבות Hilti תקבל את המכשיר הישן שלך בחזרה לצורך מיחזור. פנה לשירות של Hilti או למשווק.

אין להשליך כלי עבודה חשמליים, כלים אלקטרוניים וסוללות לפסולת הביתית!

10 RoHS (תקנה להגבלת השימוש בחומרים מסוכנים)

קישור הבא תמצא את טבלת החומרים המסוכנים: qr.hilti.com/r3140904. קישור לטבלת RoHS תמצא בסוף תיעוד זה, בצורת קוד QR.

11 אחריות יצרן

אם יש לך שאלות בנושא תנאי האחריות, אנא פנה למשווק Hilti הקרוב אליך.



EC Declaration of Conformity | UK Declaration of Conformity



Manufacturer:
Hilti Corporation
Feldkircherstraße 100
9494 Schaan | Liechtenstein

UK Importer:
Hilti (Gt. Britain) Limited
No. 1 Circle Square, 3 Symphony Park
Manchester, England, M1 7FS

TE 800-AVR (01)

Serial Numbers: 1-99999999999

2006/42/EC Supply of Machinery (Safety) Regulations 2008	EN 62841-1:2015, AC:2015	EN IEC 62841-2-6:2020/A11:2020
2014/30/EU Electromagnetic Compatibility Regulations 2016	EN IEC 55014-1:2021	EN IEC 55014-2:2021
2011/65/EU The Restriction of the Use of Certain Hazardous Substances in Electrical and Electronic Equipment Regulations 2012	EN IEC 61000-3-2:2019, A1:2021	EN 61000-3-3:2013 + A1:2019
2000/14/EC Noise Emission in the Environment by Equipment for use Outdoors Regulations 2001		

Details to 2000/14/EC | Noise Emission in the Environment by Equipment for use Outdoors Regulations 2001:

Measured sound power level L_{WA} : 98 dB/1pW

Guaranteed sound power level, L_{WAd} : 101 dB/1pW

Conformity assessment procedure: 2000/14/EC Annex VI | Noise Emission in the Environment by Equipment for use Outdoors Regulations 2001, Schedule 9

EU Notified Body: TÜV NORD CERT GmbH
Am TÜV 1, 45307 Essen, Germany (CE 0044)

UK Approved Body: HORIBA MIRA Certification Ltd
Watling Street, Nuneaton, Warwickshire CV10 0TU (No 0888)

Schaan, 12.02.2023

Dr. Tahar Zrilli
Head of Quality and Process Management
Business Area Electric Tools & Accessories

Edward-Louis Przybyłowicz
Head of BU Power Tool & Accessories
Business Area Electric Tools & Accessories



<http://qr.hilti.com/r3140904>



Hilti Corporation
LI-9494 Schaan
Tel.:+423 234 21 11
Fax:+423 234 29 65
www.hilti.group



2064795