

HILTI

TE 6-A36

English



1 Information about the documentation




1.1 About this documentation

- Read this documentation before initial operation or use. This is a prerequisite for safe, trouble-free handling and use of the product.
- Observe the safety instructions and warnings in this documentation and on the product.
- Always keep the operating instructions with the product and make sure that the operating instructions are with the product when it is given to other persons.

1.2 Explanation of signs used



1.2.1 Warnings

Warnings alert persons to hazards that occur when handling or using the product. The following signal words are used in combination with a symbol:

	DANGER! Draws attention to imminent danger that will lead to serious personal injury or fatality.
	WARNING! Draws attention to a potential hazard that could lead to serious personal injury or fatality.
	CAUTION! Draws attention to a potentially dangerous situation that could lead to minor personal injury or damage to the equipment or other property.


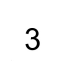


1.2.2 Symbols in the documentation

The following symbols are used in this document:

	Read the operating instructions before use
	Instructions for use and other useful information

1.2.3 Symbols in the illustrations




The following symbols are used in illustrations:

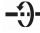

	These numbers refer to the corresponding illustrations found at the beginning of these operating instructions.
	The numbering reflects the sequence of operations shown in the illustrations and may deviate from the steps described in the text.
	Item reference numbers are used in the overview illustrations and refer to the numbers used in the product overview section .
	These characters are intended to specifically draw your attention to certain points when handling the product.

1.3 Product-dependent symbols

1.3.1 Symbols

The following symbols are used:

	Drilling without hammer action
	Drilling with hammering action (hammer drilling)
	Chiseling

	Chisel positioning
	Forward / reverse
n_0	Rated speed under no load

1.4 Product information

Hilti products are designed for professional use and may be operated, serviced and maintained only by trained, authorized personnel. This personnel must be informed of any particular hazards that may be encountered. The product and its ancillary equipment can present hazards if used incorrectly by untrained personnel or if used not in accordance with the intended use.

The type designation and serial number are stated on the rating plate.

- ▶ Write down the serial number in the table below. You will be required to state the product details when contacting Hilti Service or your local Hilti organization to inquire about the product.

Product information

Rotary hammer	TE 6-A36
Generation:	04
Serial no.:	

1.5 Declaration of conformity

We declare, on our sole responsibility, that the product described here complies with the applicable directives and standards. A copy of the declaration of conformity can be found at the end of this documentation.

The technical documentation is filed and stored here:

Hilti Entwicklungsgesellschaft mbH | Tool Certification | Hiltistrasse 6 | 86916 Kaufering, Germany

2 Safety

2.1 General power tool safety warnings

WARNING

Read all safety warnings and all instructions. Failure to follow the warnings and instructions may result in electric shock, fire and/or serious injury.

Save all warnings and instructions for future reference.

Work area safety

- ▶ **Keep work area clean and well lit.** Cluttered or dark areas invite accidents.
- ▶ **Do not operate power tools in explosive atmospheres, such as in the presence of flammable liquids, gases or dust.** Power tools create sparks which may ignite the dust or fumes.
- ▶ **Keep children and bystanders away while operating a power tool.** Distractions can cause you to lose control.

Electrical safety

- ▶ **Power tool plugs must match the outlet. Never modify the plug in any way. Do not use any adapter plugs with earthed (grounded) power tools.** Unmodified plugs and matching outlets will reduce risk of electric shock.

- ▶ **Avoid body contact with earthed or grounded surfaces, such as pipes, radiators, ranges and refrigerators.** There is an increased risk of electric shock if your body is earthed or grounded.
- ▶ **Do not expose power tools to rain or wet conditions.** Water entering a power tool will increase the risk of electric shock.
- ▶ **Do not abuse the cord. Never use the cord for carrying, pulling or unplugging the power tool. Keep cord away from heat, oil, sharp edges or moving parts.** Damaged or entangled cords increase the risk of electric shock.
- ▶ **When operating a power tool outdoors, use an extension cord suitable for outdoor use.** Use of a cord suitable for outdoor use reduces the risk of electric shock.
- ▶ **If operating a power tool in a damp location is unavoidable, use a residual current device (RCD) protected supply.** Use of an RCD reduces the risk of electric shock.

Personal safety

- ▶ **Stay alert, watch what you are doing and use common sense when operating a power tool. Do not use a power tool while you are tired or under the influence of drugs, alcohol or medication.** A moment of inattention while operating power tools may result in serious personal injury.
- ▶ **Use personal protective equipment. Always wear eye protection.** Protective equipment such as dust mask, non-skid safety shoes, hard hat, or hearing protection used for appropriate conditions will reduce personal injuries.
- ▶ **Prevent unintentional starting. Ensure the switch is in the off-position before connecting to battery pack, picking up or carrying the tool.** Carrying power tools with your finger on the switch or energising power tools that have the switch on invites accidents.
- ▶ **Remove any adjusting key or wrench before turning the power tool on.** A wrench or a key left attached to a rotating part of the power tool may result in personal injury.
- ▶ **Do not overreach. Keep proper footing and balance at all times.** This enables better control of the power tool in unexpected situations.
- ▶ **Dress properly. Do not wear loose clothing or jewellery. Keep your hair, clothing and gloves away from moving parts.** Loose clothes, jewellery or long hair can be caught in moving parts.
- ▶ **If devices are provided for the connection of dust extraction and collection facilities, ensure these are connected and properly used.** Use of dust collection can reduce dust-related hazards.

Power tool use and care

- ▶ Do not force the power tool. Use the correct power tool for your application. The correct power tool will do the job better and safer at the rate for which it was designed.
- ▶ **Do not use the power tool if the switch does not turn it on and off.** Any power tool that cannot be controlled with the switch is dangerous and must be repaired.
- ▶ **Disconnect the battery pack from the power tool before making any adjustments, changing accessories, or storing power tools.** Such preventive safety measures reduce the risk of starting the power tool accidentally.
- ▶ **Store idle power tools out of the reach of children and do not allow persons unfamiliar with the power tool or these instructions to operate the power tool.** Power tools are dangerous in the hands of untrained users.
- ▶ **Maintain power tools. Check for misalignment or binding of moving parts, breakage of parts and any other condition that may affect the power tool's operation. If damaged, have the power tool repaired before use.** Many accidents are caused by poorly maintained power tools.

- ▶ **Keep cutting tools sharp and clean.** Properly maintained cutting tools with sharp cutting edges are less likely to bind and are easier to control.
- ▶ **Use the power tool, accessories and tool bits etc. in accordance with these instructions, taking into account the working conditions and the work to be performed.** Use of the power tool for operations different from those intended could result in a hazardous situation.

Battery tool use and care

- ▶ **Recharge only with the charger specified by the manufacturer.** A charger that is suitable for one type of battery pack may create a risk of fire when used with another battery pack.
- ▶ **Use power tools only with specifically designated battery packs.** Use of any other battery packs may create a risk of injury and fire.
- ▶ **When battery pack is not in use, keep it away from other metal objects, like paper clips, coins, keys, nails, screws or other small metal objects, that can make a connection from one terminal to another.** Shorting the battery terminals together may cause burns or a fire.
- ▶ **Under abusive conditions, liquid may be ejected from the battery; avoid contact. If contact accidentally occurs, flush with water. If liquid contacts eyes, additionally seek medical help.** Liquid ejected from the battery may cause irritation or burns.

Service

- ▶ **Have your power tool serviced by a qualified repair person using only identical replacement parts.** This will ensure that the safety of the power tool is maintained.

2.2 Hammer safety warnings

- ▶ **Wear ear protectors.** Exposure to noise can cause hearing loss.
- ▶ **Use auxiliary handles, if supplied with the tool.** Loss of control can cause personal injury.
- ▶ **Hold power tool by insulated gripping surfaces, when performing an operation where the cutting accessory may contact hidden wiring..** Cutting accessory contacting a "live" wire may make exposed metal parts of the power tool "live" and could give the operator an electric shock.

2.3 Additional safety instructions for rotary hammer

Personal safety

- ▶ Use the product only when it is in technically faultless condition.
- ▶ Never tamper with or modify the power tool in any way.
- ▶ Use the auxiliary grips supplied with the tool. Loss of control can cause personal injury.
- ▶ Apply appropriate safety measures at the opposite side of the workpiece in work that involves breaking through. Parts breaking away could fall out and / or fall down causing injury to other persons.
- ▶ Always hold the power tool with both hands on the grips provided. Keep the grips clean and dry.
- ▶ Hold the power tool by the insulated gripping surfaces when performing work in which the accessory tool might come into contact with concealed wiring. If the accessory tool comes into contact with a live wire, metal parts of the power tool can also become live, resulting in an electric shock.
- ▶ Avoid touching rotating parts – risk of injury!
- ▶ Wear suitable protective glasses, a hard hat, ear defenders, protective gloves and light respiratory protection while using the power tool.

- ▶ Wear protective gloves also when changing the accessory tool. Touching the accessory tool presents a risk of injury (cuts or burns).
- ▶ Wear eye protection. Flying fragments present a risk of injury to the body and eyes.
- ▶ Before starting work, check the hazard class of the dust that will be produced when working. Use an industrial vacuum cleaner with an officially approved protection class in compliance with the locally applicable dust protection regulations. Dust from materials such as lead-based paint, certain types of wood and concrete/masonry/stone containing quartz, minerals or metal can be harmful to health.
- ▶ Make sure that the workplace is well ventilated and, where necessary, wear a respirator appropriate for the type of dust generated. Contact with or inhalation of the dust can cause allergic reactions and/or respiratory or other diseases to the operator or bystanders. Certain kinds of dust such as oakwood and beechwood dust are classified as carcinogenic, especially in conjunction with additives for wood conditioning (chromate, wood preservative). Only specialists are permitted to handle material containing asbestos.
- ▶ Take breaks and do physical exercises to improve the blood circulation in your fingers. Exposure to vibration during long periods of work can lead to disorders of the blood vessels and nervous system in the fingers, hands and wrists.

Electrical safety

- ▶ Before beginning work, check the working area for concealed electric cables, gas pipes and water pipes. External metal parts of the power tool can become live, presenting a risk of electric shock, if you accidentally damage an electric cable.

Power tool use and care

- ▶ Immediately switch off the power tool if the accessory tool jams. The power tool might twist off-line.
- ▶ Wait until the power tool stops completely before you lay it down.

2.4 Safety instructions

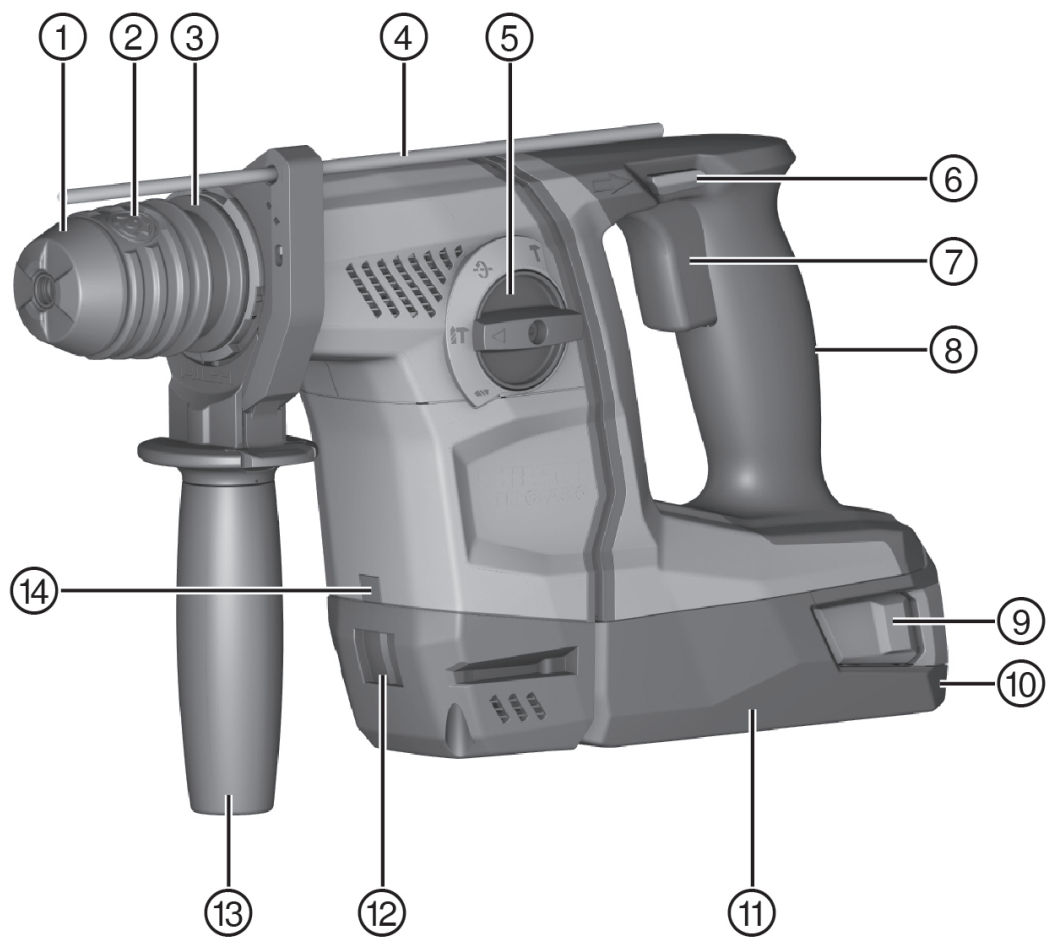
- ▶ Observe all safety instructions in this documentation and on the device.
- ▶ Use respiratory protection to keep residual dust away from the face and airways when drilling and when servicing the tool or accessories.
- ▶ Always use the side handle on the **Hilti** rotary hammer drill, even when the dust removal module is fitted.

2.5 Careful handling and use of batteries

- ▶ Observe the special guidelines applicable to the transport, storage and use of lithium-ion batteries.
- ▶ Do not expose batteries to high temperatures, direct sunlight or fire.
- ▶ Do not take apart, squash or incinerate batteries and do not subject them to temperatures over 80 °C.
- ▶ Do not attempt to charge or continue to use damaged batteries.
- ▶ If the battery is too hot to touch, it may be defective. In this case, place the power tool in a non-flammable location, well away from flammable materials, where it can be kept under observation and left to cool down. Contact **Hilti** Service after the battery has cooled down.

3 Description

3.1 Product overview



- | | |
|---|---|
| ① Dust cap | ⑧ Grip |
| ② Chuck | ⑨ Battery release buttons |
| ③ Accessory tool release | ⑩ Charge-status and fault indicator (Li-ion battery) |
| ④ Depth gauge | ⑪ Battery |
| ⑤ Function selector switch | ⑫ Connection for the TE DRS-6-A(02) dust removal module |
| ⑥ Forward/reverse switch with safety lock | ⑬ Side handle |
| ⑦ Control switch | ⑭ Work-area light |

3.2 Intended use

The product described is a cordless rotary hammer drill. It is designed for drilling in steel, wood and masonry, for hammer-action drilling in concrete and masonry, and for driving and removing screws. The product can also be used for light chiseling work on masonry and surface finishing on concrete.

- ▶ Use only **Hilti** Li-ion batteries from the B 36 series with this product.
- ▶ Use only the **Hilti** battery chargers from the C4/36 series for these batteries.

3.3 Lithium-ion battery status display

The charge status of the Li-ion battery and malfunctions of the power tool are indicated by the display on the Li-ion battery. The charge status of the Li-ion battery is displayed after pressing one of the two battery release buttons.

Status	Meaning
4 LEDs light up.	• Charge status: 75 % to 100 %
3 LEDs light up.	• Charge status: 50 % to 75 %
2 LEDs light up.	• Charge status: 25 % to 50 %
1 LED lights up.	• Charge status: 10 % to 25 %
1 LED blinks.	• Charge status: < 10 %



Note

Battery charge status cannot be displayed while the control switch is pressed and for up to 5 seconds after releasing the control switch. If the battery display LEDs blink, please observe the instructions given in the Troubleshooting section.

3.4 Items supplied

Rotary hammer, side handle, depth gauge, operating instructions.

You can find other system products approved for your product at your local **Hilti** Center or online at: www.hilti.group.

4 Technical data

4.1 Rotary hammer

	TE 6-A36
Rated voltage	36 V
Weight in accordance with EPTA procedure 01/2003	3.7 kg
Rated speed under no load	1,050 /min

	TE 6-A36
Single impact energy in accordance with EPTA procedure 05/2009	2.5 J
Drilling diameter range in concrete/masonry (hammer drilling)	5 mm ...20 mm
Drilling diameter range in wood (solid)	3 mm ...20 mm
Drilling diameter range in metal (solid-head drill bit)	3 mm ...13 mm

4.2 Noise information and vibration values in accordance with EN 60745

The sound pressure and vibration values given in these instructions have been measured in accordance with a standardized test and may be used to compare one power tool with another. They may be used for a preliminary assessment of exposure.

The data given represents the main applications of the power tool. However, if the power tool is used for different applications, with different accessory tools or is poorly maintained, the data may vary. This may significantly increase exposure over the total working period.

An accurate estimation of exposure should also take into account the times when the power tool is switched off, or when it is running but not actually being used for a job. This may significantly reduce exposure over the total working period.

Identify additional safety measures to protect the operator from the effects of noise and/or vibration, for example: Maintaining the power tool and accessory tools, keeping the hands warm, organization of work patterns.

Noise values

Sound (power) level (L_{WA})	102 dB(A)
Uncertainty for the sound power level (K_{WA})	3 dB(A)
Emission sound pressure level (L_{pA})	91 dB(A)
Uncertainty for the sound pressure level (K_{pA})	3 dB(A)

Vibration values

Hammer drilling in concrete ($a_{h, HD}$)	13 m/s ²
Drilling in metal ($a_{h, D}$)	2.5 m/s ²
Uncertainty (K)	1.5 m/s ²

5 Operation

5.1 Preparations at the workplace



CAUTION

Risk of injury! Inadvertent starting of the product.

- ▶ Remove the battery before making any adjustments to the power tool or before changing accessories.

Observe the safety instructions and warnings in this documentation and on the product.

5.2 Inserting the battery



CAUTION

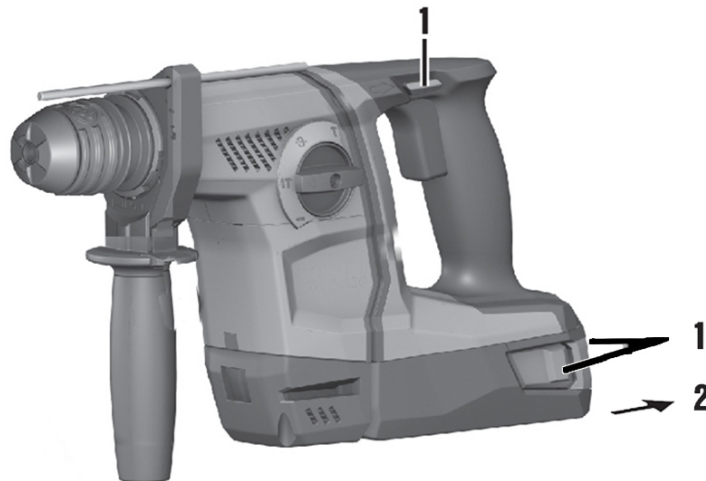
Risk of injury! Inadvertent starting of the rotary hammer drill.

- ▶ Before installing the battery, check that the rotary hammer drill is switched off and that the forward/reverse switch is in the middle position (i.e. safety lock engaged).



1. Push the battery into the battery holder until it engages with an audible click.
2. Check that the battery is seated securely.

5.3 Removing the battery



1. Press the release buttons on the battery.
2. Pull the battery out toward the rear.

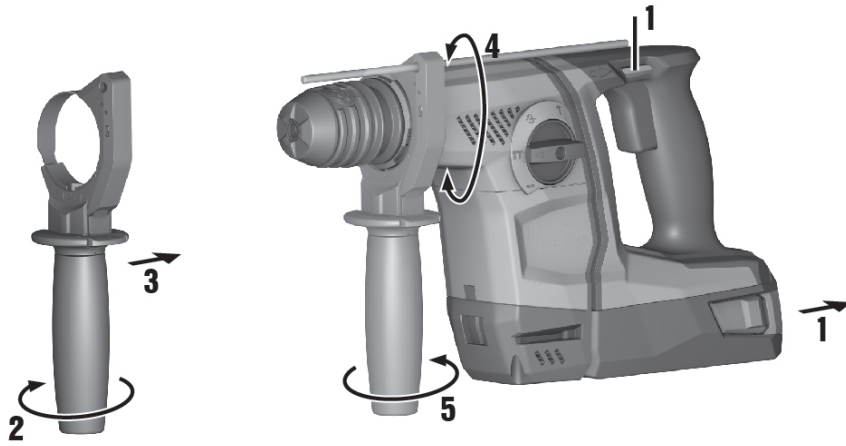
5.4 Fitting the side handle



CAUTION

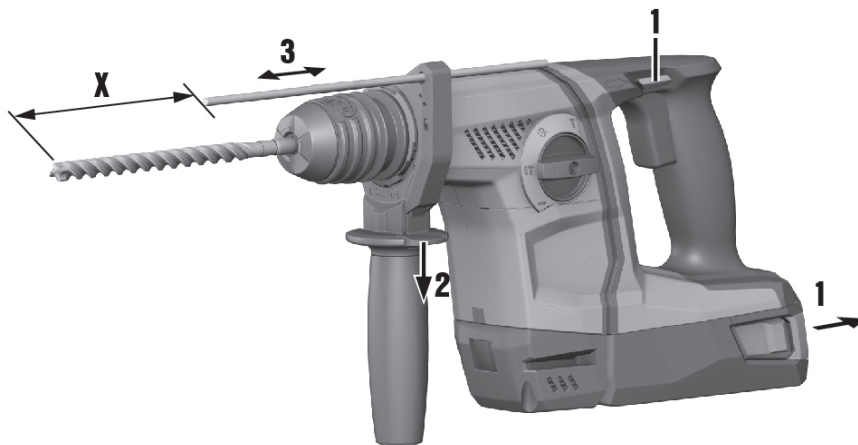
Risk of injury! Loss of control over the rotary hammer drill.

- ▶ Check that the side handle is fitted correctly and tightened securely. Check that the clamping band is engaged in the groove in the tool.



1. Release the side handle clamping band by turning the handle grip.
2. From the front, slide the depth gauge into the 2 guide holes.
3. Tighten the side handle clamping band by turning the handle grip.

5.5 Fitting and adjusting the depth gauge



- ▶ Fit the depth gauge, if necessary, and adjust it correctly.

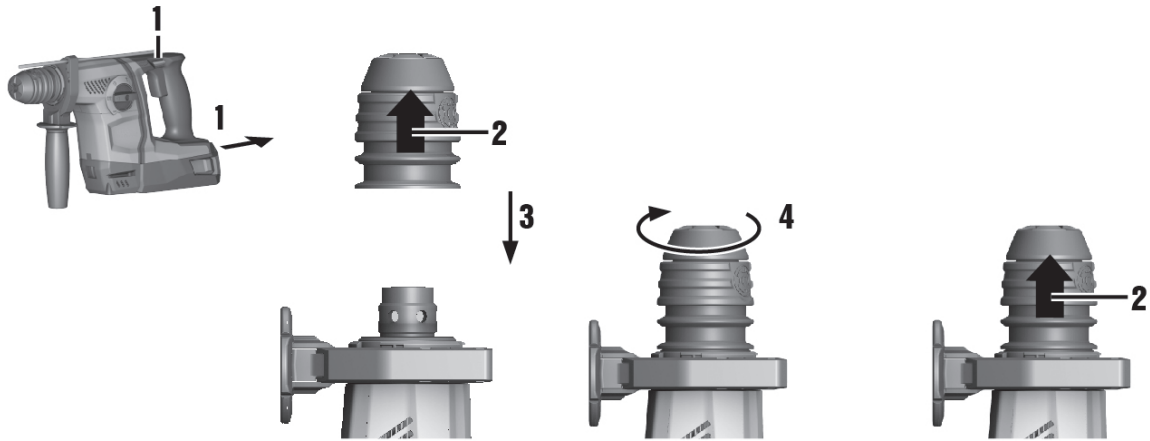
5.6 Fitting / removing the chuck



CAUTION

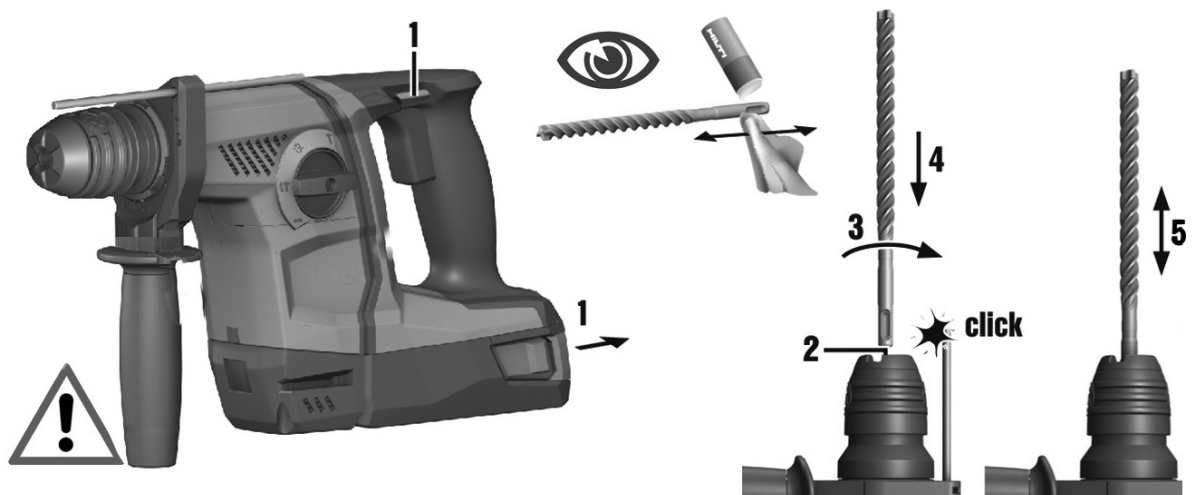
Risk of injury! The depth gauge, if fitted but not used, might hinder the operator.

- ▶ Remove the depth gauge from the tool.



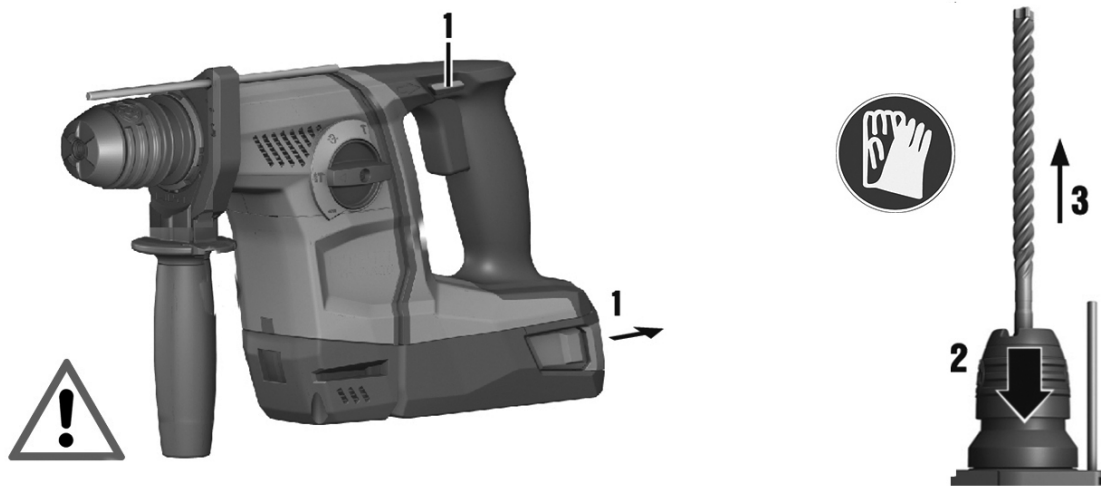
- ▶ Fit / remove the chuck.

5.7 Inserting the tool



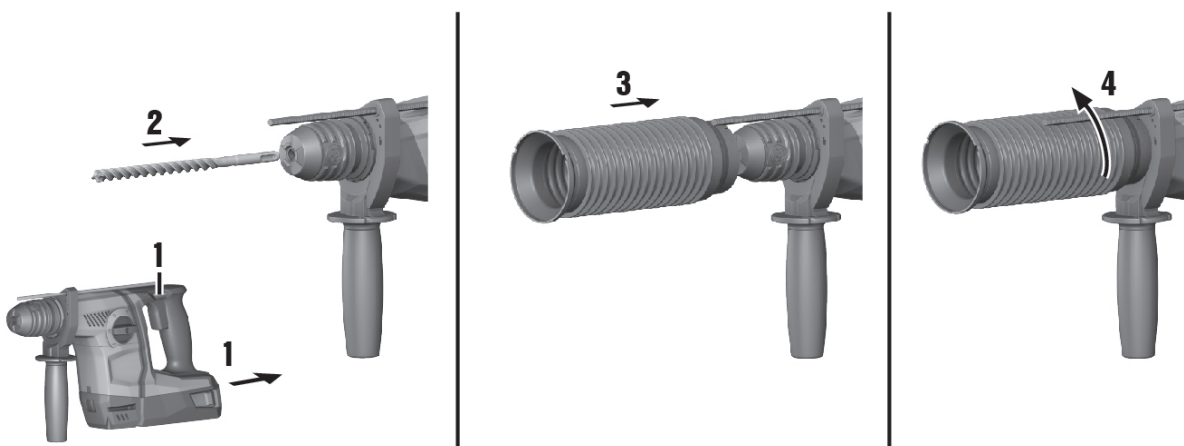
1. Lightly grease the connection end of the accessory tool.
 - ◀ Use only genuine **Hilti** grease. Using the wrong grease can result in damage to the tool.
2. Push the accessory tool into the chuck as far as it will go (until it engages).
3. After fitting the accessory tool, grip it and pull it in order to check that it is securely engaged.
 - ◀ The product is ready for use.

5.8 Removing the accessory tool



- ▶ Pull the chuck back as far as it will go and remove the accessory tool.

5.9 Overhead work



- ▶ Fit the DCD dust control ring for overhead work.

5.10 Chisel positioning



- ▶ Set the function selector switch to the \oplus position.

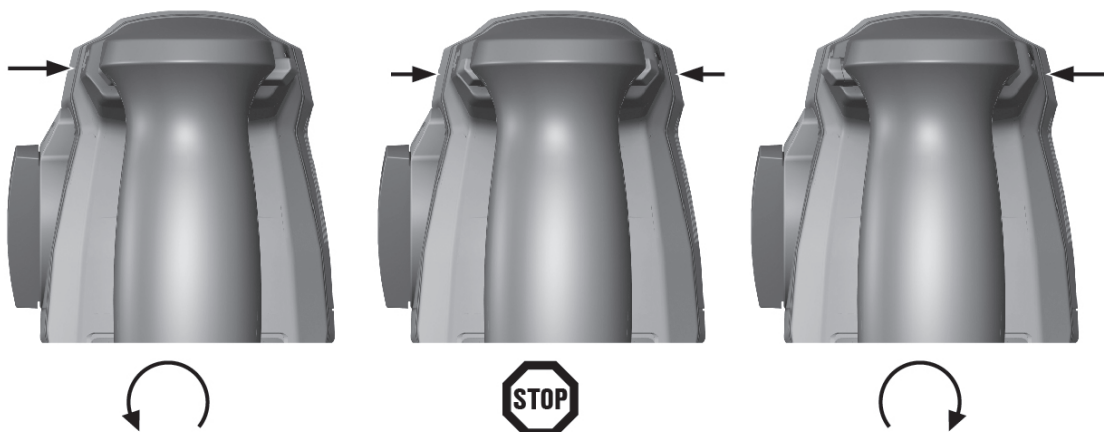
6 Types of work

6.1 Function selector switch



- ▶ Set the function selector switch to the desired working position.
 - ◀ Do not operate the function selector switch while the motor is running. **Risk of damage!**

6.2 Forward/reverse



- ▶ Set the forward/reverse switch to the desired direction of rotation.


6.3 Drilling without hammer action

- ▶ Set the function selector switch to the  position.

6.4 Drilling with hammer action

- ▶ Set the function selector switch to the  position.

6.5 Chiseling

- ▶ Set the function selector switch to the  position.
 - ◀ For optimum motor cooling, select the forward direction, i.e. clockwise (direction of rotation for drilling).

7 Care and maintenance

7.1 Care and maintenance of cordless tools



WARNING

Risk of electric shock! Attempting care and maintenance with the battery fitted in the tool can lead to severe injury and burns.

- ▶ Always remove the battery before carrying out care and maintenance tasks!

Care and maintenance of the tool

- Carefully remove stubborn dirt from the tool.
- Clean the air vents carefully with a dry brush.
- Use only a slightly damp cloth to clean the casing. Do not use cleaning agents containing silicone as these may attack the plastic parts.

Care of the Li-ion batteries

- Keep the battery free from oil and grease.
- Use only a slightly damp cloth to clean the casing. Do not use cleaning agents containing silicone as these may attack the plastic parts.
- Avoid ingress of moisture.

Maintenance

- Check all visible parts and controls for signs of damage at regular intervals and make sure that they all function correctly.
- Do not operate the cordless tool if signs of damage are found or if parts malfunction. Have the tool repaired by **Hilti** Service immediately.
- After cleaning and maintenance, fit all guards or protective devices and check that they function correctly.

7.2 Cleaning the dust shield

- ▶ Clean the dust shield on the chuck with a dry, clean cloth at regular intervals.
- ▶ Clean the sealing lip by wiping it carefully and then grease it again lightly with **Hilti** grease.
- ▶ It is essential that the dust shield is replaced if the sealing lip is damaged.

8 Transport and storage

8.1 Transport and storage of cordless tools

Transport



CAUTION

Inadvertent starting during transport. Uncontrolled starting during transport may occur if the battery is fitted, thereby resulting in damage to the tool.

- ▶ Always remove the battery before transporting the tool.

- ▶ Remove the battery.
- ▶ Transport the tool and batteries individually packaged.
- ▶ Never transport batteries in bulk form (loose, unprotected).
- ▶ Check the tool and batteries for damage before use after long periods of transport.

Storage



CAUTION

Inadvertent damage caused by defective battery. A leaking battery may damage the tool.

- ▶ Always remove the battery before storing the tool.

- ▶ Store the tool and batteries in a place that is as cool and dry as possible.
- ▶ Never store batteries in direct sunlight, on heating units or behind a window pane.
- ▶ Store the tool and batteries in a place where they cannot be accessed by children or unauthorized persons.
- ▶ Check the tool and batteries for damage before use after long periods of storage.

9 Troubleshooting



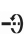




If the trouble you are experiencing is not listed in this table or you are unable to remedy the problem by yourself, please contact **Hilti** Service.

9.1 The rotary hammer is not in working order

Malfunction	Possible cause	Action to be taken
The LEDs on the battery indicate nothing.	The battery is not fully inserted.	▶ Push the battery in until it engages with a double click.
	The battery is discharged.	▶ Change the battery and charge the empty battery.
	The battery is too hot or too cold.	▶ Allow the battery to cool down or to warm up to room temperature.
1 LED on the battery blinks.	The battery is discharged.	▶ Change the battery and charge the empty battery.
	The battery is too hot or too cold.	▶ Allow the battery to cool down or to warm up to room temperature.
4 LEDs on the battery blink.	The rotary hammer has been overloaded briefly.	▶ Release the control switch and then press it again.

9.2 The rotary hammer is in working order

Trouble or fault	Possible cause	Action to be taken
No hammering action.	The rotary hammer is too cold.	▶ Bring the tip of the drill bit into contact with the working surface, switch the rotary hammer on and allow it to run. If necessary, repeat the procedure until the hammering mechanism begins to operate.

Trouble or fault	Possible cause	Action to be taken
No hammering action.	The function selector switch is set to "Drilling without hammering"  .	▶ Set the function selector switch to "Hammer drilling"  T .
The control switch can't be pressed, i.e. the switch is locked.	The forward / reverse switch is in the middle position.	▶ Push the forward / reverse switch to the right or left.
The drive spindle does not rotate.	The permissible operating temperature of the rotary hammer's electronics has been exceeded.	▶ Allow the tool to cool down.
	The battery is discharged.	▶ Change the battery and charge the empty battery.
	The function selector switch is not correctly engaged, is set to "Chiseling" T , or is set to "Chisel positioning"  .	▶ Set the function selector switch to "Drilling without hammering"  or "Hammer drilling"  T .
The rotary hammer switches itself off automatically.	The overload cut-out has been activated.	▶ Release the control switch. Allow the rotary hammer to cool down. Press the control switch again. Reduce the load on the tool.
The battery runs down more quickly than usual.	Very low ambient temperature.	▶ Allow the battery to warm up slowly to room temperature.
The battery does not engage with an audible "double click".	The retaining lugs on the battery are dirty.	▶ Clean the retaining lugs and refit the battery.
The rotary hammer or the battery gets very hot.	Electrical fault.	▶ Switch off the rotary hammer immediately. Remove the battery and keep it under observation. Allow it to cool down. Contact Hilti service.
	The rotary hammer has been overloaded.	▶ Use a more powerful tool.
The insert tool can't be released.	The chuck is not pulled back fully.	▶ Pull the chuck back as far as it will go and remove the tool.
The tool makes no progress.	The rotary hammer has been set to reverse rotation.	▶ Move the forward / reverse selector switch to the "Forward" position.
	The function selector switch is set to "Drilling without hammering"  .	▶ Set the function selector switch to "Hammer drilling"  T .

10 Optional accessories

10.1 DCD dust control ring

The DCD dust control ring is an accessory for **Hilti** rotary hammer drills. It collects a high percentage of the dust produced by overhead work and it attaches quickly and easily to the rotary hammer drill.

10.2 TE DRS-6-A / TE DRS-6-A OSHA dust removal module

The TE DRS-6-A dust removal module is an accessory for the **Hilti** TE 6-A36 rotary hammer drill. It collects a high percentage of the dust and it attaches quickly and easily to the rotary hammer drill. The dust removal module has a built-in extractor fan. This fan is driven by its own motor. When the rotary hammer drill is switched on the dust removal module draws its electric power from the rotary hammer drill's battery.

The dust removal module is not suitable for working on metal and wood.

Conditions: TE DRS-6-A OSHA

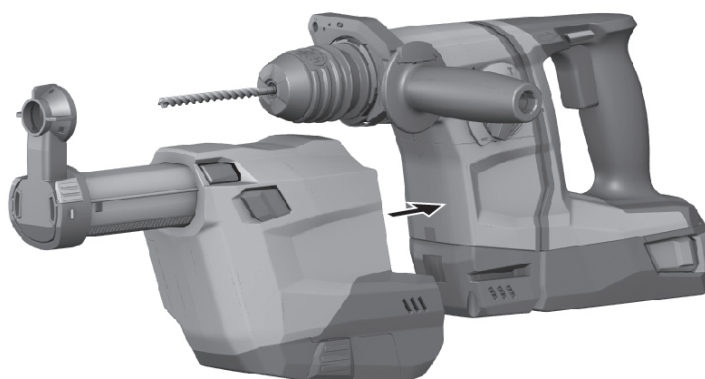
The TE DRS-6-A OSHA satisfies the requirements of OSHA 1926.1153 Table 1. It has a filter-cleaning mechanism.

10.2.1 Fitting the dust removal module



Note

Before fitting the module, check that the attachment points and the electrical interfaces on the rotary hammer drill and dust removal module are free of dust and that the parts fit or move freely and easily.



1. Check the dust removal module for damage.
2. Check the ease of movement of the telescoping mechanism.
3. Set the forward / reverse switch on the rotary hammer drill to the middle position.
4. Remove the depth gauge from the side handle.
5. Position the dust removal module on the guides and from the front, push it on to the power tool until it engages.
6. After fitting, check that the dust removal module is secure.

10.2.2 Drilling with the dust removal module

1. Start the dust removal module by pressing the control button on the rotary hammer drill.

2. Hold down the control button until full suction power is reached.
3. Position the suction head with the edge seated flat against the work surface.
4. Drill the hole and ease the product slowly out of the drilled hole in order to catch as much dust as possible.

10.2.3 Emptying the dust box

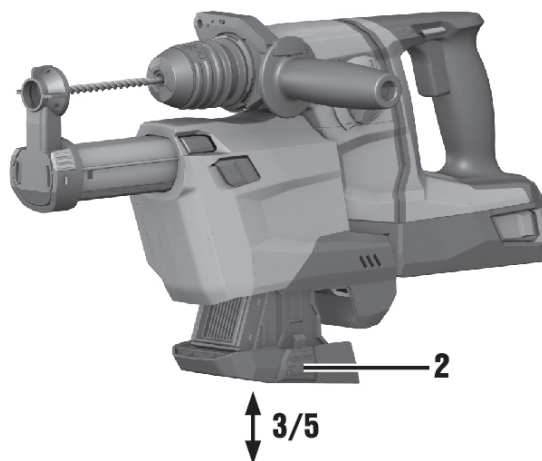


Note

Regular cleaning and emptying are necessary because a full dust box or a clogged filter can lead to excessive dust formation.

Empty the dust box after drilling 8-10 holes (16 mm x 50 mm) (5/8 in x 2 in).

To minimize dust formation, carefully transfer the dust to a container with a tight-fitting lid.



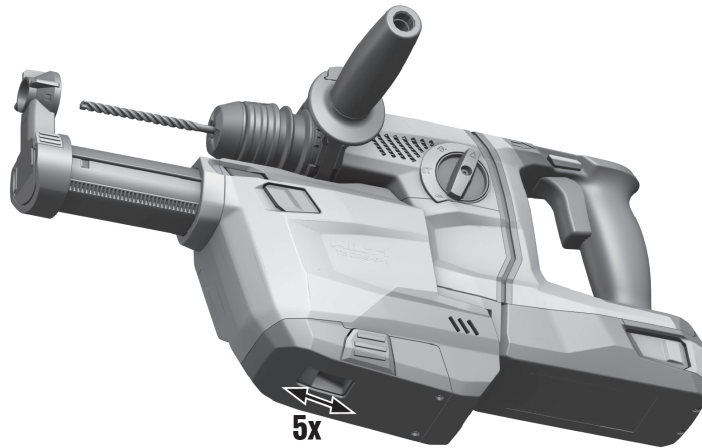
1. Hold the power tool horizontal and allow it to run for a short time.
 - ◁ This ensures that residual dust deposits in the dust removal module are drawn into the dust box.
2. Press and hold down the release button of the dust box.
3. Pull the dust box down and clear of the dust removal module.
4. Empty the dust box.
 - ▽ Filter is clogged.
 - ▶ Change the filter.
 - ◁ Filter is free of dust.
5. Push the empty dust box back into the dust removal module from below until it engages.

10.2.4 Cleaning the TE-DRS-OSHA filter



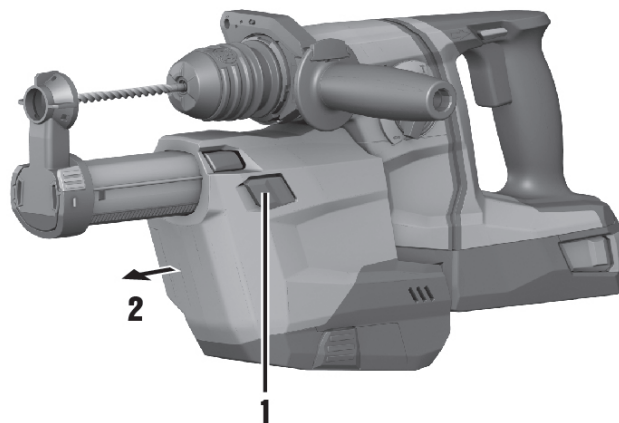
Note

Clean the filter after drilling 5 holes (16 mm x 50 mm) (1/2 in x 3 in).



- ▶ When suction power diminishes, slide the cleaning mechanism 5 times forward and back until it audibly clicks on each slide.

10.2.5 Removing the module



1. Move the forward / reverse selector switch on the rotary hammer to the middle position.
2. Press the DRS release button and hold it in this position.
3. Pull the dust removal module forwards away from the power tool.


11 Disposal



WARNING

Risk of injury. Hazards presented by improper disposal.

- ▶ Improper disposal of the equipment may have the following consequences: The burning of plastic components generates toxic fumes which may present a health hazard. Batteries may explode if damaged or exposed to very high temperatures, causing poisoning, burns, acid burns or environmental pollution. Careless disposal may permit unauthorized and improper use of the equipment. This may result in serious personal injury, injury to third parties and pollution of the environment.
- ▶ Dispose of defective batteries right away. Keep them out of reach of children. Do not disassemble or incinerate the batteries.
- ▶ Batteries that have reached the end of their life must be disposed of in accordance with national regulations or returned to **Hilti**.

 Most of the materials from which **Hilti** tools and appliances are manufactured can be recycled. The materials must be correctly separated before they can be recycled. In many countries, your old tools, machines or appliances can be returned to **Hilti** for recycling. Ask **Hilti** Service or your Hilti representative for further information.



-
- ▶ Disposal of electric tools or appliances together with household waste is not permissible.
-

12 China RoHS (guideline on restriction of the use of dangerous substances)

The following link takes you to the table of dangerous substances: qr.hilti.com/r4694033. You will find a link to the RoHS table, in the form of a QR code, at the end of this document.

13 Manufacturer's warranty

- ▶ Please contact your local **Hilti** representative if you have questions about the warranty conditions.



Hilti Aktiengesellschaft
Feldkircherstraße 100
9494 Schaan | Liechtenstein

TE 6-A36 (04)

[2016]

2006/42/EC

EN ISO 12100

2014/30/EU

EN 60745-1

2011/65/EU

EN 60745-2-6

2006/66/EU

Schaan, 01/2016

Paolo Luccini

Head of BA Quality and Process Management
BA Electric Tools & Accessories

Tassilo Deinzer

Executive Vice President
BU Power Tools & Accessories





Hilti Corporation

LI-9494 Schaan

Tel.: +423 / 234 21 11

Fax: +423 / 234 29 65

www.hilti.group

Hilti = registered trademark of Hilti Corp., Schaan



20170811