

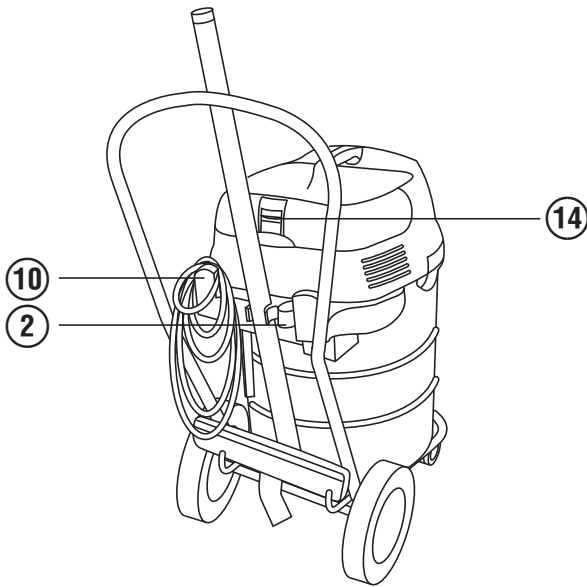
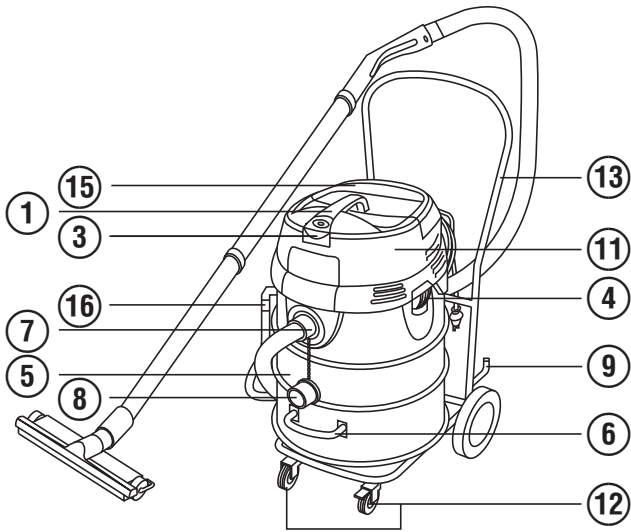
HILTI

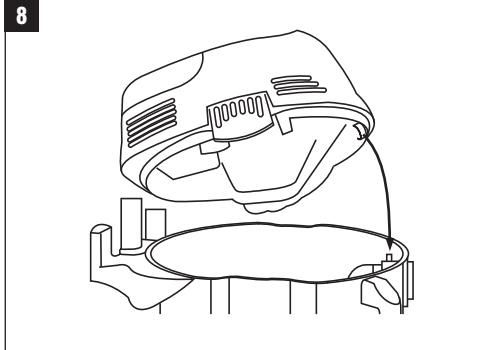
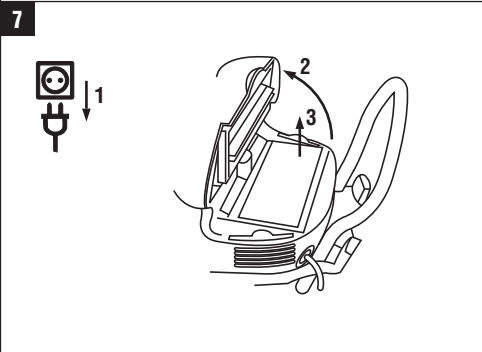
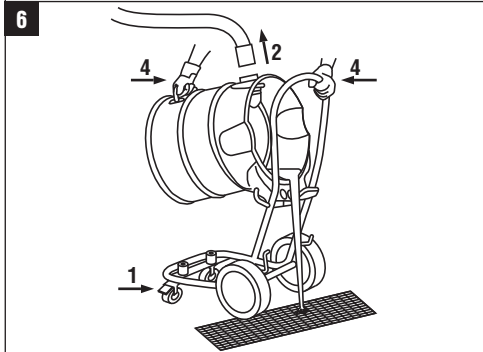
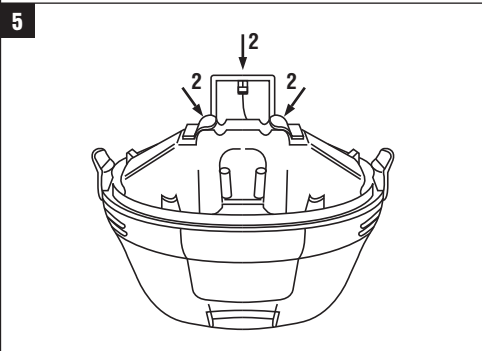
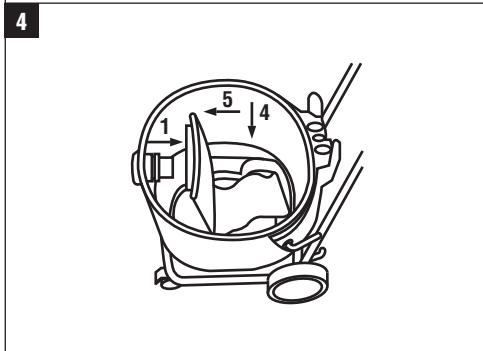
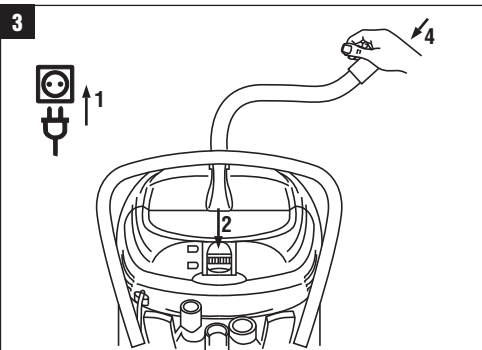
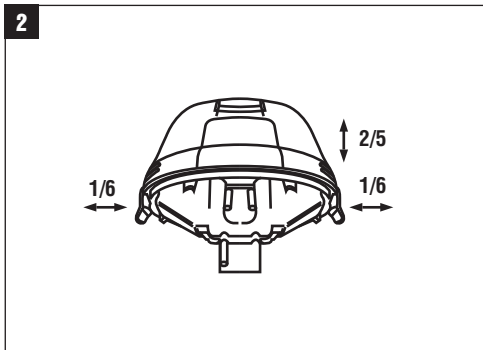
VC 60-U



Bedienungsanleitung	de
Operating instructions	en
Mode d'emploi	fr
Istruzioni d'uso	it
Manual de instrucciones	es
Manual de instruções	pt
Gebruiksaanwijzing	nl
Brugsanvisning	da
Bruksanvisning	sv
Bruksanvisning	no
Käyttöohje	fi
Οδηγίες χρήσεως	el
Használati utasítás	hu
Instrukcja obsługi	pl
Инструкция по эксплуатации	ru
Návod k obsluze	cs
Návod na obsluhu	sk
Upute za uporabu	hr
Navodila za uporabo	sl
Ръководство за обслужване	bg
Instrucțiuni de utilizare	ro
Kullanma Talimatı	tr
Lietošanas pamācība	lv
Instrukcija	lt
Kasutusjuhend	et
دليل الاستعمال	ar
Пайдалану бойынша басшылық	kk







ORIGINAL OPERATING INSTRUCTIONS

VC 60-U wet / dry vacuum cleaner

It is essential that the operating instructions are read before the appliance is operated for the first time.

Always keep these operating instructions together with the appliance.

Ensure that the operating instructions are with the appliance when it is given to other persons.

Contents	Page
1 General information	17
2 Description	18
3 Accessories	20
4 Technical data	20
5 Safety instructions	21
6 Before use	24
7 Operation	25
8 Care and maintenance	27
9 Troubleshooting	29
10 Disposal	30
11 Manufacturer's warranty	31
12 EC declaration of conformity (original)	31

1 These numbers refer to the corresponding illustrations. The illustrations can be found on the fold-out cover pages. Keep these pages open while studying the operating instructions. In these operating instructions, the designation "the appliance" always refers to the VC 60-U wet/dry vacuum cleaner.

Parts, operating controls and indicators **1**

- 1 Grip
- 2 Accessory holder
- 3 On / off switch
- 4 Catch
- 5 Waste material container
- 6 Grip for emptying container
- 7 Hose socket
- 8 Hose socket cap
- 9 Floor nozzle holder
- 10 Supply cord hook
- 11 Vacuum cleaner top section
- 12 Castors with brake
- 13 Trolley
- 14 Filter cleaner (slider)
- 15 Filter cover
- 16 Draining hose

1 General information

1.1 Safety notices and their meaning

DANGER

Draws attention to imminent danger that will lead to serious bodily injury or fatality.

WARNING

Draws attention to a potentially dangerous situation that could lead to serious personal injury or fatality.

CAUTION

Draws attention to a potentially dangerous situation that could lead to slight personal injury or damage to the equipment or other property.

NOTE

Draws attention to an instruction or other useful information.

1.2 Explanation of the pictograms and other information

Prohibition signs



Transport by crane is not permissible.

en

Warning signs



General warning



Warning: caustic substances



Warning: electricity



Warning: explosive substances

Symbols



Read the operating instructions before use.



Return waste material for recycling.

en

Obligation signs



Wear protective clothing



Wear eye protection.



Wear protective gloves.



Wear a hard hat.



Wear ear protection.



Wear safety shoes.

Location of identification data on the appliance

The type designation and serial number can be found on the type identification plate on the appliance. Make a note of this data in your operating instructions and always refer to it when making an enquiry to your Hilti representative or service department.

Type:

Generation: 01

Serial no.:

2 Description

2.1 Use of the product as directed

The VC 60-U is a universal industrial vacuum cleaner with an effective filter cleaning system for dry dust. It is suitable for wet and dry vacuum cleaning applications.

The appliance is suitable for collecting the slurry created by wet drilling or wet cutting operations on mineral materials using Hilti diamond coring or Hilti diamond sawing equipment and for collecting large quantities of dry mineral dust when working with Hilti diamond grinders and cutters, rotary hammers and dry cutting core bits.

The appliance may also be used to pick up liquid waste material.

The appliance is suitable for picking up and collecting dry, non-flammable dusts as well as liquids. Do not use the appliance to pick up explosive substances or glowing, flammable, burning and aggressive dusts or liquids (e.g. magnesium or aluminium dust, gasoline, solvents, acids, coolants and lubricants, etc.).

Do not operate the appliance when laid on its side (always operate in upright position).

The total weight of the appliance including the waste material picked up must not exceed 100 kg.

Do not use the appliance as a substitute for a ladder.

Do not use the appliance for continuous, stationary operation in automatic or semi-automatic systems.

WARNING - The operating personnel must be instructed on how to use the appliance prior to beginning work, they must be informed of any hazards associated with the materials to be picked up and they must be familiar with the correct procedures for safe disposal of these materials. Underwater use is not permissible.

WARNING - Use of the appliance to pick up substances hazardous to the health, i.e. substances for which an M-type or H-type vacuum cleaner is specified, or to pick up oils or liquids with a temperature above 60°C, is not permissible.

Use of the appliance to clean down persons or animals is not permissible.

Use an antistatic suction hose in order to avoid electrostatic effects.

This appliance is suitable for commercial use, e.g. in hotels, schools, hospitals, factories, shops, offices and by rental companies.

The working environment may be as follows: construction site, workshop, renovation, conversion or new construction.

Modification of the appliance or tampering with its parts is not permissible.

Observe the information printed in the operating instructions concerning operation, care and maintenance.

To avoid the risk of injury, use only genuine Hilti tools and accessories.

The appliance and its ancillary equipment may present hazards when used incorrectly by untrained personnel or when used not as directed.

en

2.2 The items supplied as standard include:

- 1 Vacuum cleaner with fluted filter and trolley
- 1 Suction hose complete with rotating connector, nozzle connector and tapered adapter
- 1 Narrow nozzle
- 1 Dust bag
- 1 Accessory set
- 1 Operating instructions

2.3 Using extension cords

Use only extension cords of a type approved for the application and with conductors of adequate gauge. The appliance may otherwise lose performance and the extension cord may overheat. Check the extension cord for damage at regular intervals. Replace damaged extension cords.

Recommended minimum cross section and max. cord length for the VC 60-U:

Conductor cross section	1.5 mm ²	2.5 mm ²
Mains voltage 110-120 V	30 m	50 m
Mains voltage 220-240 V	30 m	50 m

Do not use extension cords with a 1.25 mm², 2 mm² or 3.5 mm² conductor cross section.

2.4 Using extension cords outdoors

When working outdoors, use only extension cords that are approved and correspondingly marked for this application.

2.5 Using a generator or transformer

This appliance may be powered by a generator or transformer when the following conditions are fulfilled: The unit must provide a power output in watts of at least twice the value printed on the type identification plate on the power tool or appliance. The operating voltage must remain within +5% and -15% of the rated voltage at all times, frequency must be in the 50 – 60 Hz range and never above 65 Hz, and the unit must be equipped with automatic voltage regulation and starting boost.

Never operate other power tools or appliances from the generator or transformer at the same time. Switching other power tools or appliances on and off may cause undervoltage and / or overvoltage peaks, resulting in damage to the power tool or appliance.

3 Accessories

Spare parts, tools and accessories are available through Hilti sales channels.

Designation	Description
Dust bag	
Fluted filter	
Suction hose complete with rotating connector, nozzle connector and tapered adapter	∅ 36 mm, length 5 m
Accessory set	1 bend, 2 extension tubes, 1 floor nozzle with lamellar lips and 1 set of brushes
Hose connectors	
Tapered adapter	

4 Technical data

Right of technical changes reserved.

Rated voltage	110 V	110 V	120 V	220 V	230 V	230 V	240 V
Rated power input	1,100 W	950 W	1,200 W	1,200 W	2,200 W	2,400 W	1,200 W

Information about the appliance and its applications

Protection class	Protection class I
Protection class	IP X4 protection against sprayed water
Mains frequency	50...60 Hz
Weight in accordance with EPTA procedure 01/2003	31 kg
Dimensions (L x W x H)	680 mm x 520 mm x 1,000 mm
Supply cord (length)	10 m
Supply cord (type)	H07RN-F 3x1.5mm ²
Max. suction performance (air)	2x56 l/s
Max. vacuum	0.235 bar (CH: 0.208 bar)
Container capacity	72 l
Dust bag capacity	29 l
Effective water capacity	56 l
Suction hose diameter (rotary connector at nozzle end; connector at vacuum cleaner end)	Length 5 m: 36 mm
Air temperature	-20...+40°C

Noise information (measured in accordance with EN 60335-2-69):

Typical A-weighted emission sound pressure level	74 dB (A)
Uncertainty for the given sound level	2.5 dB (A)

5 Safety instructions

en

5.1 Basic information concerning safety

- a) In addition to the information relevant to safety given in each of the sections of these operating instructions, the following points must be strictly observed at all times.
- b) Read all instructions! Failure to follow all instructions listed below may result in electric shock, fire and/or serious injury.
- c) Before use of the appliance together with a power tool, the operating instructions for the power tool must be read carefully and all safety instructions observed.

5.2 Requirements to be met by users

- a) Stay alert, watch what you are doing and use common sense when operating the appliance. Do not use the appliance while tired or under the influence of drugs, alcohol or medication. A moment of inattention while operating appliances may result in serious personal injury.
- b) Use personal protective equipment. Always wear eye protection. Protective equipment such as dust mask, non-skid safety shoes, hard hat, or hearing protection used for appropriate conditions will reduce personal injuries.
- c) If devices are provided for the connection of dust extraction and collection facilities, ensure these are connected and properly used. Use of dust collection can reduce dust-related hazards.
- d) The machine is intended for professional use.
- e) The machine may be operated, serviced and repaired only by authorized, trained personnel. This personnel must be informed of any special hazards that may be encountered.

5.3 Proper organization of the work area



- a) Ensure that the workplace is well lit.
- b) Ensure that the workplace is well ventilated. Exposure to dust at a poorly ventilated workplace may result in damage to the health.
- c) Keep the work area tidy. Any objects which may cause injury should be removed from the area. Untidiness at the workplace can lead to accidents.
- d) Store appliances out of reach of children when not in use. Do not allow persons unfamiliar with the appliance or these instructions to operate it. Appliances are dangerous when used by inexperienced persons or persons with limited physical, sensory or mental abilities.
- e) Keep children and other persons away from the area while the appliance is in use. Distractions can cause you to lose control.
- f) Do not operate appliances in explosive atmospheres, such as in the presence of flammable liquids, gases or dust. Appliances create sparks which may ignite the dust or fumes.
- g) Do not allow other persons to touch the appliance or the extension cord.
- h) Avoid unusual body positions. Make sure you work from a safe stance and stay in balance at all times.
- i) Wear non-skid shoes.
- j) Always lead the supply cord, the extension cord and the suction hose away to the rear when working. This will help to prevent tripping while working.
- k) Do not transport the appliance by crane.

- l) **Check to ensure that the appliance is switched off before plugging the supply cord into a power outlet.**

5.4 General safety rules

- a) **Use the right appliance for the job. Do not use the appliance for purposes for which it was not intended. Use it only as directed and when in faultless condition.**
- b) **Never leave the appliance unattended.**
- c) **Take the influences of the surrounding area into account. Do not use the appliance where there is a risk of fire or explosion.**
- d) **Protect the appliance from frost.**
- e) **CAUTION - Store appliances in a secure place when not in use.** When not in use, appliances must be stored in a dry, high place or locked away out of reach of children.
- f) **CAUTION - Always unplug the supply cord from the power outlet when the appliance is not in use (during breaks), before cleaning and maintenance and before changing the filter.**
- g) **Switch the appliance off before transporting it.**
- h) **Check the appliance and its accessories for any damage. Guards, safety devices and any slightly damaged parts must be checked carefully to ensure that they function faultlessly and as intended. Check that moving parts function correctly without sticking and that no parts are damaged. All parts must be fitted correctly and fulfill all conditions necessary for correct operation of the appliance. Damaged guards, safety devices and other parts must be repaired or replaced properly at an authorized service center unless otherwise indicated in the operating instructions.**
- i) **Check that the filter is seated correctly. Check to ensure that the filter is undamaged.**
- j) **Have your appliance serviced by a qualified repair person using only identical replacement parts.** This will ensure that the safety of the appliance is maintained.
- k) **Disconnect the plug from the power source before making any adjustments,**

changing accessories, or storing the appliance. Such preventive safety measures reduce the risk of starting the appliance accidentally.

- l) **Use the appliance and its accessories etc. in accordance with these instructions and in the manner intended for the particular type of appliance, taking into account the working conditions and the work to be performed.** Use of appliances for applications different from those intended could result in a hazardous situation.
- m) **The water level limiting device must be cleaned regularly with a brush in accordance with instructions and checked for signs of damage.**

5.5 Mechanical

- a) **Follow the instructions concerning care and maintenance.**
- b) **Keep the appliance well maintained. Check for misalignment or binding of moving parts, breakage of parts and any other condition that may affect operation of the appliance. If damaged, have the appliance repaired before use.** Many accidents are caused by poorly maintained appliances.

5.6 Electrical



- a) **The appliance's supply cord plug must match the outlet. Never modify the plug in any way. Do not use any adapter plugs with earthed (grounded) appliances.** Unmodified plugs and matching outlets will reduce risk of electric shock.
- b) **Avoid body contact with earthed or grounded surfaces, such as pipes, radiators, ranges and refrigerators.** There is an increased risk of electric shock if your body is earthed or grounded.
- c) **Do not expose appliances to rain or wet conditions.** Water entering an appliance will increase the risk of electric shock.
- d) **Check the appliance's supply cord at regular intervals and have it replaced at**

- a Hilti service center if damage is found. Check extension cords at regular intervals and replace them if found to be damaged.
- e) Check the condition of the appliance and its accessories. Do not operate the appliance and its accessories if damage is found, if the appliance is incomplete or if its controls cannot be operated faultlessly.
 - f) Do not touch the supply cord or extension cord if they are damaged while working. Disconnect the supply cord plug from the power outlet. Damaged supply cords present a risk of electric shock.
 - g) Damaged or faulty switches must be replaced at a Hilti service center. Do not use the appliance if it cannot be switched on and/or off correctly.
 - h) Have the appliance repaired only by a trained electrical specialist (Hilti service center) using genuine Hilti spare parts. Failure to observe this point may result in risk of accident to the user.
 - i) Do not abuse the cord. Never use the cord for carrying, pulling or unplugging the appliance. Keep the cord away from heat, oil, sharp edges or moving parts. Damaged or entangled cords increase the risk of electric shock.
 - j) When operating an appliance outdoors, use an extension cord suitable for outdoor use. Use of a cord suitable for outdoor use reduces the risk of electric shock.
 - k) In case of an interruption in the electric supply: Switch the appliance off and unplug the supply cord.
 - l) Avoid using extension cords with multiple power outlets and the simultaneous use of several appliances connected to one extension cord.
 - m) Never spray the top section of the vacuum cleaner with water: this presents an electrical hazard and may damage the appliance.
 - n) Connectors on mains power cables, extension cords or supply cords must provide protection from sprayed water.
 - o) Grip the plug when unplugging the supply cord (do not pull or tug at the supply cord).

- p) Never pull the vacuum cleaner by the supply cord to a new working position.
- q) Never operate the appliance when it is dirty or wet. Dust (especially dust from conductive materials) or dampness adhering to the surface of the appliance may, under unfavorable conditions, lead to electric shock. Dirty or dusty appliances should thus be checked at a Hilti service center at regular intervals, especially if used frequently for working on conductive materials.
- r) Check to ensure that the supply cord does not lie in a puddle of water.

5.7 Material picked up



- a) Do not use the appliance to pick up flammable or explosive dusts (magnesium or aluminium dust etc.) or dusts which present a health hazard.
- b) The appliance is suitable for picking up and collecting dry, non-flammable dusts.
- c) Do not use the appliance to pick up flammable, explosive or aggressive liquids (coolants and lubricants, gasoline, solvents, acids (pH<5), alkalis (pH>12.5) etc.)
- d) Switch the appliance off immediately if foam or liquids escape from it.
- e) Avoid contact with alkaline or acidic liquids. If contact accidentally occurs, flush with water. In the event of the liquid coming into contact with the eyes, rinse the eyes with plenty of water and consult a doctor.
- f) Wear protective gloves when using the appliance to pick up hot materials.
- g) Do not pick up objects or materials that could cause injury by piercing through the dust bag (e.g. pointed or sharp objects).

5.8 Thermal

Do not pick up hot materials (glowing cigarettes, hot ash, etc.).

5.9 Personal protective equipment



- a) The user and any other persons in the vicinity must wear suitable eye protec-

tion, a hard hat, ear protection, protective gloves and safety footwear while the appliance is in use.

- b) When working with mineral drilling slurry, wear protective clothing and avoid skin contact with the slurry (pH>9: caustic).

en

6 Before use



CAUTION

The mains voltage must comply with the specification given on the type identification plate. Ensure that the appliance is disconnected from the electric supply.

DANGER

Connect the appliance only to properly earthed/grounded power sources.

CAUTION

Always check to ensure that the vacuum cleaner is standing securely. Engage the castor brakes.

CAUTION

When fitting the top section of the vacuum cleaner, take care to avoid pinching your fingers or damaging the supply cord.

6.1 Use of extension cords and generators or transformers

See section "Description / use of extension cords".

6.2 Operating the appliance for the first time

1. Open the two catches.
2. Lift the vacuum cleaner top section away from the waste material container.

3. Remove the accessories and packaging from the waste material container.
NOTE If dry dust is to be collected, fit the dust bag into the waste material container in accordance with the instructions.
4. Fit the vacuum cleaner top section onto the waste material container.
5. Close the two catches.
6. Check to ensure that the vacuum cleaner top section is fitted correctly and secured.
7. Connect the suction hose to the appliance.

6.2.1 Fitting a dust bag for collecting dry dust 2

1. Open the two catches.
2. Lift the vacuum cleaner top section away from the waste material container.
3. Insert the new dust bag in the waste material container.
4. Press the dust bag sleeve firmly onto the hose socket.
5. Fit the vacuum cleaner top section onto the waste material container.
6. Close the two catches.
7. Check to ensure that the vacuum cleaner top section is fitted correctly and secured.
8. Connect the suction hose to the appliance.

6.3 Transport

DANGER

The appliance may be moved or transported only when the motor has come to a complete stop.



Do not carry the appliance when it is full of waste material.

Empty the appliance before carrying it to another location.
Do not tip the appliance or lay it on its side for transport after using it to collect water.

en

7 Operation

CAUTION

Always check to ensure that the vacuum cleaner is standing securely. Engage the castor brakes.

WARNING

In an emergency (e.g. burst filter), switch the appliance off, disconnect it from the electric supply and have it checked by a trained specialist before further use.

7.1 Switching on

1. Plug the supply cord into the power outlet.
2. Check to ensure that the vacuum cleaner is standing securely and engage the castor brakes.
3. Press the on / off switch.

7.2 Cleaning the filter 3

The appliance is equipped with a filter cleaning system which removes most of the dust adhering to the fluted filter.

1. Plug the supply cord into the power outlet.
2. Check to ensure that the filter cleaning system is activated (slider in the lower position).
3. Press the on / off switch.
4. Cover the end of the hose or the suction nozzle with the palm of the hand for approx. 5-10 seconds.

The fluted filter will then be cleaned automatically by a blast of air (a pulsating noise is heard).

7.3 Deactivating the filter cleaning system

Check to ensure that the filter cleaning system is deactivated (slider in the upper position) when the appliance is used with the narrow nozzle or when used mainly to collect water.

7.4 Picking up dry dust

NOTE

Before using the appliance to pick up dry dust, especially dust from mineral materials, always check to ensure that a dust bag / disposal bag (Hilti accessory) is fitted in the container. The material collected can then be disposed of cleanly and easily.

CAUTION

The material collected must be disposed of in accordance with the applicable regulations.

NOTE

A fluted filter should always be fitted when the appliance is used to pick up dry dust.

Care should be taken to ensure that the fluted filter is not damp from previous use with liquids or wet materials. A damp fluted filter will quickly become clogged when dry dust is picked up with the appliance. Accordingly, before being used for picking up dry dust, the fluted filter should be rinsed and allowed to dry or replaced with another dry fluted filter.

1. Disconnect the suction hose from the power tool or nozzle.
2. Clean the filter thoroughly.

7.4.1 Changing the dust bag when picking up dry dust 4

CAUTION

The material collected must be disposed of in accordance with the applicable regulations.

1. Disconnect the dust bag sleeve from the hose socket.
2. Close the slider on the dust bag sleeve.
3. Clean the waste material container with a cloth or hose it down with water.
4. Insert a new dust bag in the waste material container.
5. Press the dust bag sleeve firmly onto the hose socket.

7.5 Picking up liquids

NOTE

A fluted filter should always be fitted when the appliance is used to pick up liquids (see “Care and maintenance”).

7.5.1 Before picking up liquids

1. Remove the dust bag / disposal bag from the waste material container.
2. Check the electrodes / level monitoring float to ensure that the parts are clean and operating smoothly. Clean the parts with a brush if necessary.
3. Deactivate the automatic filter cleaning system.

7.5.2 When picking up liquids

If possible, use a separate fluted filter for picking up liquids.

The appliance switches itself off automatically when the liquid in the container reaches the maximum level.

WARNING

If foaming occurs, switch the appliance off immediately and empty the container.

7.5.3 After picking up liquids

1. Empty the waste material container and clean it out by hosing it down with water, clean the float, clean the electrodes with a brush and clean the filter element by wiping it with the hand after first allowing it to dry.
2. Leave the vacuum cleaner top section and the container standing separately. This will allow the fluted filter and the container to dry.

7.6 After finishing work

1. Switch the appliance off.
2. Disconnect the supply cord plug from the power outlet.

3. Roll up the supply cord and hang it on the hook.
4. Empty the container and clean the appliance by wiping it with a damp cloth.
5. Roll up the suction hose.
6. Store the appliance in a secure, dry place where it is inaccessible to unauthorized users.

7.7 Emptying the waste material container

7.7.1 Emptying dry dust from the waste material container

DANGER

Check that the bag has not been pierced through by objects which may cause injury.

NOTE

It is recommended that the filter is cleaned thoroughly before emptying the waste material container when it contains dry dust. This will increase the life of the filter significantly.

7.7.1.1 Before emptying the waste material container, proceed as follows:

1. Engage the castor brakes.
2. Disconnect the supply cord plug from the power outlet.
3. Open the two catches.
4. Lift the vacuum cleaner top section away from the waste material container and place it on a level surface.

7.7.1.2 After emptying the waste material container, proceed as follows:

CAUTION

When fitting the top section of the vacuum cleaner, take care to avoid pinching your fingers or damaging the supply cord.

1. Fit the vacuum cleaner top section onto the waste material container and close the two catches.
2. Fit the suction hose securely in the hose socket.

7.7.2 Emptying liquids from the waste material container

CAUTION

The material collected must be disposed of in accordance with the applicable regulations.



7.7.2.1 Emptying liquids **6**

CAUTION

Do not stand on the lower part of the frame. The waste material container may suddenly tip over, causing injury.

CAUTION

To avoid pinching the fingers, do not grip the frame at the accessory holder.

1. Check to ensure that the vacuum cleaner is standing securely and engage the castor brakes.
2. Disconnect the suction hose from the hose socket.
3. Remove the accessories from the accessory holder.
4. **CAUTION Do not grip the frame at points where it can knock against the waste material container.**
Hold the waste material container by the emptying grip and tip the container over until empty.
5. Clean the edge of the container, the hose socket and the hose connector with a cloth.

7.7.2.2 Draining liquids

Drain off dirty water through the drainage hose at a suitable place.

8 Care and maintenance

8.1 Cleaning the fluted filter (thorough cleaning)

NOTE

Do not attempt to clean the fluted filter by knocking it against a hard object and do not use pointed instruments. This will reduce the life of the fluted filter.

NOTE

Do not use compressed air to clean the fluted filter. This may cause tears in the filter material.

NOTE

The fluted filter is a wearing part. It should be replaced at least every 6 months and more frequently if the appliance is subject to heavy use.

The appliance is equipped with a filter cleaning system which removes most of the dust adhering to the fluted filter.

1. Plug the supply cord into the power outlet.
2. Check to ensure that the filter cleaning system is activated (slider in the lower position).

3. Press the on / off switch.
4. Cover the end of the hose or the suction nozzle with the palm of the hand for approx. 5-10 seconds.
5. The fluted filter will then be cleaned automatically by a blast of air (a pulsating noise is heard).

NOTE The fluted filter may also be cleaned with water and a cloth (do not use a high-pressure cleaning system).

The filter may become clogged with mineral dust if cleaning is neglected, resulting in a drop in suction performance. This will reduce the life of the fluted filter.

8.2 Changing the fluted filter / exhaust air filter

CAUTION

Never use the appliance without a fluted filter.

8.2.1 Removing the fluted filter **7**

1. Disconnect the supply cord plug from the power outlet.

2. Open the filter cover.
3. Remove the fluted filter carefully from the holder.

8.2.2 Fitting the fluted filter

1. Clean the filter seal with a cloth.
2. Fit the new fluted filter.
3. Close the filter cover.

8.3 Opening the appliance for checking

1. Engage the castor brakes.
2. Disconnect the supply cord plug from the power outlet.
3. Open the two catches.
4. Lift the vacuum cleaner top section away from the waste material container and place it on a level surface.

8.4 Checking the antistatic clip

Check the antistatic clip for damage and have it replaced by Hilti Service if necessary.

8.5 Checking the waste material level

CAUTION

Check the cut-out contacts and clean them with a brush if necessary (if dirty).

Check that the float switch moves freely.

8.6 Closing the appliance

CAUTION

When fitting the top section of the vacuum cleaner, take care to avoid pinching your fingers or damaging the supply cord.

1. Check the seal at the vacuum cleaner top section and clean it with a cloth if necessary.
2. Fit the vacuum cleaner top section onto the waste material container.
3. Close the two catches.
4. Plug the supply cord into the power outlet.

8.7 Care of the appliance

CAUTION

Disconnect the supply cord plug from the power outlet.

Never operate the appliance when the ventilation slots are blocked. Clean the ventilation slots carefully using a dry brush. Clean the out-

side of the appliance at regular intervals with a cloth. Do not use a spray, high-pressure water-jet system, steam pressure cleaning equipment or running water for cleaning. This may negatively affect the electrical safety of the appliance. Always keep the grip surfaces of the appliance free from oil and grease. Do not use cleaning agents which contain silicone.

The appliance must be handled for cleaning and maintenance in a way that avoids exposing maintenance personnel and other persons to any hazards. Use filtered forced ventilation. Wear personal protective equipment. Clean the maintenance area in a way that prevents hazardous substances escaping into the surrounding environment.

Vacuum off the outer surfaces of the appliance, wipe it clean or seal it in suitable container or material before removing it from an area contaminated with hazardous substances. This will help to avoid distribution of the hazardous dust deposited on it.

When maintenance or repairs are carried out, all contaminated parts which cannot be satisfactorily cleaned must be packed in impermeable bags and disposed of in compliance with the applicable disposal regulations.

The appliance must be subjected to a technical inspection by Hilti Service or a trained person at least once a year to check, for example, for damage to the filter, air leakage, and to ensure correct operation of controlling devices.

8.8 Maintenance

WARNING

Repairs to the electrical section of the appliance may be carried out only by trained electrical specialists.

Check all external parts of the appliance for damage at regular intervals and check that all controls operate faultlessly. Do not operate the appliance if parts are damaged or when the controls do not function faultlessly. If necessary, the appliance should be repaired by Hilti Service.

8.9 Checking the appliance after care and maintenance

After carrying out cleaning and maintenance, check that the vacuum cleaner has been cor-

rectly reassembled and that it operates faultlessly.

Test each of the functions.

9 Troubleshooting

Fault	Possible cause	Remedy
No suction / reduced suction performance.	The dust / disposal bag is full.	Change the dust / disposal bag. See section: 7.4.1 Changing the dust bag when picking up dry dust 4
	No fluted filter fitted.	Fit a fluted filter.
	The fluted filter is clogged with dirt or dust.	Clean the fluted filter thoroughly or replace it if necessary. See section: 8.1 Cleaning the fluted filter (thorough cleaning) See section: 8.2 Changing the fluted filter / exhaust air filter
	Blockage in the hose, vacuum cleaner or power tool dust hood.	Clean the hose and dust hood.
	The seal between the edge of the container and the vacuum cleaner top section is dirty or defective.	Clean the seal with a cloth or replace it.
	Hole in the suction hose.	Fit a new hose.
	The filter cover seal is defective.	Have the appliance repaired by Hilti Service.
Dust is blown out of the appliance.	The draining hose is not closed properly.	Close the draining hose properly.
	The fluted filter is not fitted correctly.	Fit the fluted filter correctly.
	The fluted filter is damaged.	Fit a new fluted filter.
	The filter seal is damaged.	Fit a new fluted filter.
The appliance switches itself off or on inadvertently or the user receives electric shocks (static discharge).	The vacuum cleaner top section is not fitted correctly.	Fit the vacuum cleaner top section correctly. See section: 6.2 Operating the appliance for the first time
	Electrostatic charge is not dissipated correctly; the appliance is connected to an un-earthed/ungrounded power outlet.	Connect the appliance to an earthed/grounded power outlet; use an antistatic hose.

en

Fault	Possible cause	Remedy
The appliance switches itself off or on inadvertently or the user receives electric shocks (static discharge).	The antistatic clip is damaged.	Have the antistatic clip replaced by Hilti Service. Connect the appliance to an earthed/grounded power outlet.
The appliance doesn't start after emptying the container.	Dirt.	Switch the appliance off, wait 5 sec. and then switch on again. Clean the float, the electrodes and the gap between the electrodes. Check to ensure smooth movement.
The motor doesn't restart.	The mains fuse / circuit breaker has been tripped.	Reset the circuit breaker. Find the reason for the overload current if it trips again.
	The container is full.	Switch the appliance off. Empty the container. See section: 7.7.1 Emptying dry dust from the waste material container
Voltage fluctuations.	The supply voltage impedance is too high.	Use a suitable extension cord (see section "Description").

10 Disposal



Most of the materials from which Hilti power tools or appliances are manufactured can be recycled. The materials must be correctly separated before they can be recycled. In many countries, Hilti has already made arrangements for taking back your old power tools or appliances for recycling. Ask Hilti customer service or your Hilti representative for further information.



For EC countries only

Disposal of electric tools or appliances together with household waste is not permissible.

In observance of the European Directive on waste electrical and electronic equipment and its implementation in accordance with national law, electrical appliances that have reached the end of their life must be collected separately and returned to an environmentally compatible recycling facility.

Disposing of drilling slurry

Disposing of drilling slurry directly into rivers, lakes or the sewerage system without suitable pretreatment presents environmental problems. Ask the local public authorities for information about current regulations. We recommend the following pretreatment:

1. Collect the drilling slurry (for example, using a wet-type vacuum cleaner).

2. Allow the drilling slurry to settle and dispose of the solid material at a construction waste disposal site (the addition of a flocculent may accelerate the separation process).
3. The remaining water (alkaline, pH value > 7) must be neutralized by the addition of an acidic neutralizing agent or diluted with a large volume of water before it is allowed to flow into the sewerage system.

11 Manufacturer's warranty

Hilti warrants that the tool supplied is free of defects in material and workmanship. This warranty is valid so long as the tool is operated and handled correctly, cleaned and serviced properly and in accordance with the Hilti Operating Instructions, and the technical system is maintained. This means that only original Hilti consumables, components and spare parts may be used in the tool.

This warranty provides the free-of-charge repair or replacement of defective parts only over the entire lifespan of the tool. Parts requiring repair or replacement as a result of normal wear and tear are not covered by this warranty.

Additional claims are excluded, unless stringent national rules prohibit such exclusion. In particular, Hilti is not obligated for direct, indirect, incidental or consequential damages, losses or expenses in connection with, or by reason of, the use of, or inability to use the tool for any purpose. Implied warranties of merchantability or fitness for a particular purpose are specifically excluded.

For repair or replacement, send the tool or related parts immediately upon discovery of the defect to the address of the local Hilti marketing organization provided.

This constitutes Hilti's entire obligation with regard to warranty and supersedes all prior or contemporaneous comments and oral or written agreements concerning warranties.

12 EC declaration of conformity (original)

Designation:	Wet / dry vacuum cleaner
Type:	VC 60-U
Generation:	01
Year of design:	2007

We declare, on our sole responsibility, that this product complies with the following directives and standards: 2006/42/EC, 2004/108/EC, 2011/65/EU, EN 60335-1, EN 60335-2-69, EN ISO 12100.

**Hilti Corporation, Feldkircherstrasse 100,
FL-9494 Schaan**



Paolo Luccini
Head of BA Quality and Process
Management
Business Area Electric Tools &
Accessories
01/2012



Johannes Wilfried Huber
Senior Vice President
Business Unit Diamond
01/2012

Technical documentation filed at:

Hilti Entwicklungsgesellschaft mbH
Zulassung Elektrowerkzeuge
Hiltistrasse 6
86916 Kaufering
Deutschland



Hilti Corporation

LI-9494 Schaan

Tel.: +423 / 234 21 11

Fax: +423 / 234 29 65

www.hilti.com

Hilti = registered trademark of Hilti Corp., Schaan

W 3421 | 1212 | 00-Pos. 1 | 1

Printed in Germany © 2012

Right of technical and programme changes reserved S. E. & O.

211507 / A2



211507