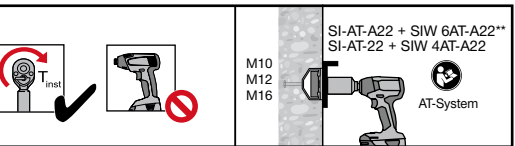
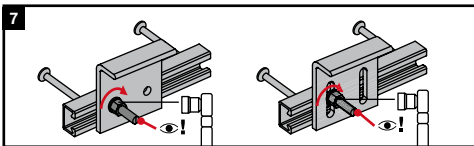
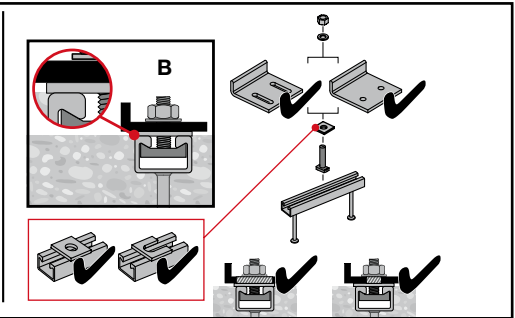
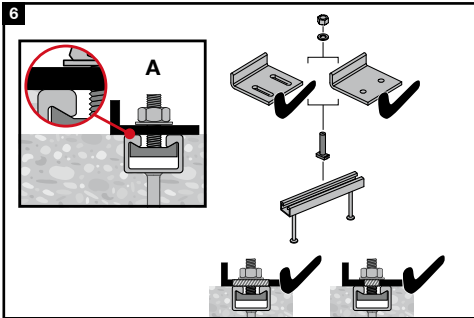
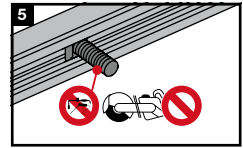
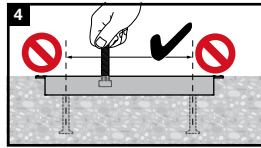
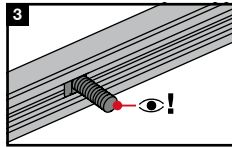
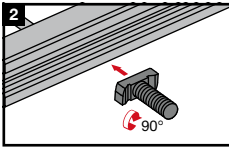


HBC-28/15	HAC-C 28/15
HBC-38/17	HAC-C 38/17
HBC-40/22	HAC-C-P 40/22, HAC-C-P 40L, HAC-C 40/22, HAC-C 40/25
HBC-50/30	HAC-C-P 50/30, HAC-C-P 50L, HAC-C 49/30, HAC-C 50/30
HBC-52/34	HAC-C 52/34, HAC-C 54/33
	HAC-HW53, HAC-C 52/34

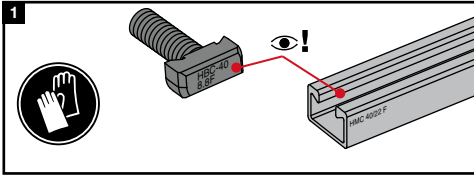


Channel bolt		T _{inst} [Nm]				
		4.6, 8.8, A4-50, A4-70	4.6	8.8	A4-50	A4-70
HBC-28/15	M8	7		20	7	15
	M10	10	-	40		30
	M12	13		60		50
HBC-38/17	M10	15	13	15		22
	M12	25		45		50
	M16	40		100		90
HBC-40/22	M10	15	13	15		22
	M12	25		45		50
	M16	30		100		90
HBC-50/30	M12	25		45		50
	M16	55		100		130
	M20	55		360		250
HBC-52/34	M20	55		360		-

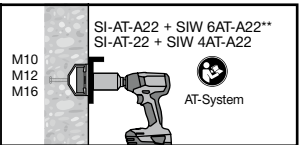
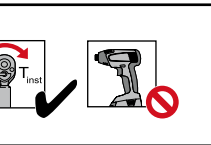
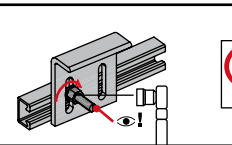
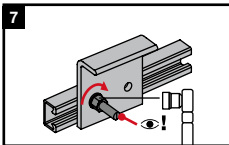
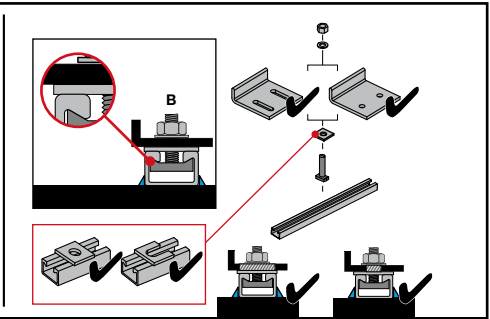
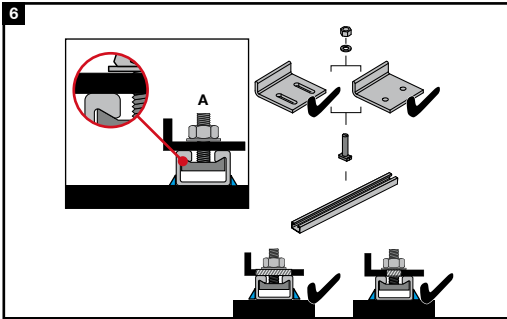
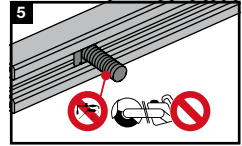
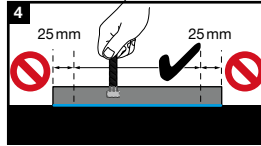
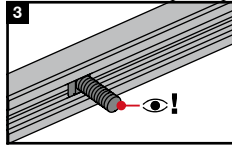
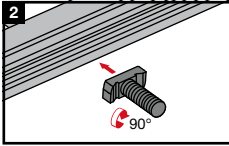
SI-AT-A22 + SIW 6AT-A22**
SI-AT-22 + SIW 4AT-A22

M10
M12
M16

AT-System



HBC-40/22	HMC 40/22
HBC-50/30	HMC 50/30, HMC 52/34



Channel bolt		T_{inst} [Nm]			
		4.6, 8.8, A4-70	4.6	8.8	A4-70
HBC-40/22	M10	15	13	15	22
	M12	25		45	50
	M16	30		100	90
HBC-50/30	M12	25	-	45	50
	M16	55		100	130
	M20	55		360	250