

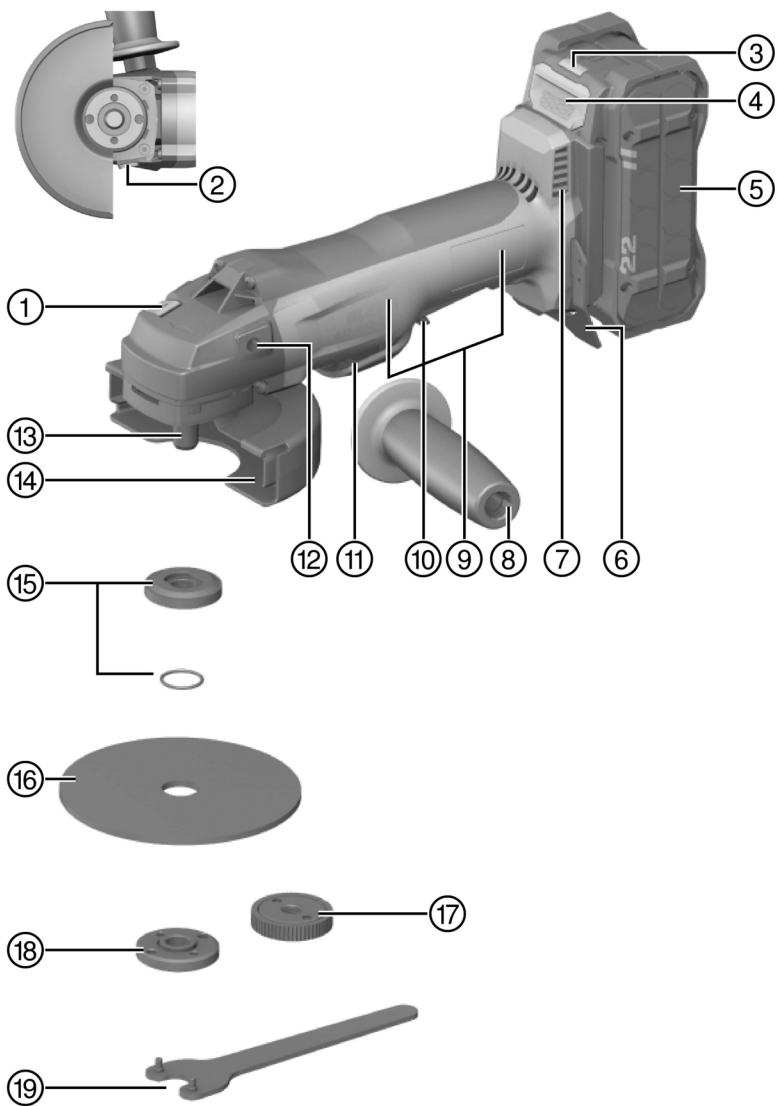


AG 5D-22 (125)

NU<sup>R</sup>ON

English  
עברית

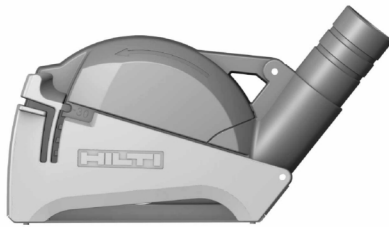
1  
20



2



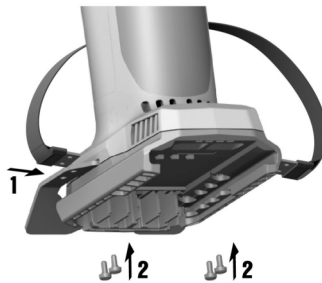
3



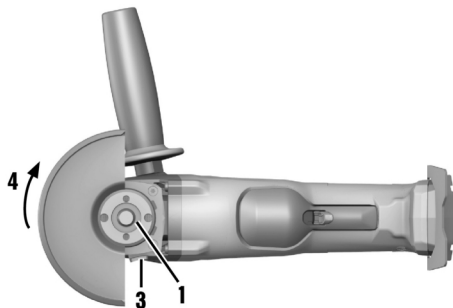
4



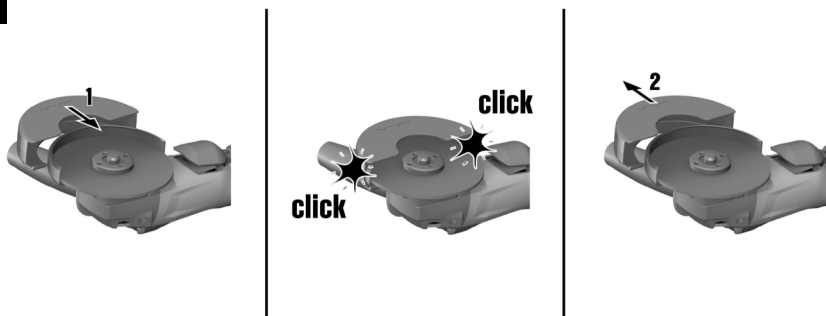
5



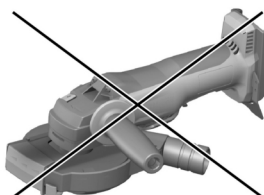
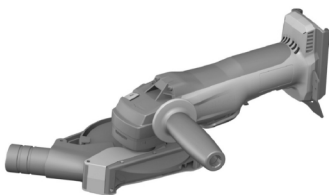
6



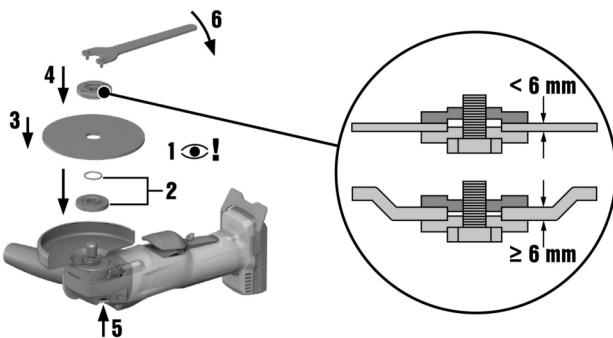
7



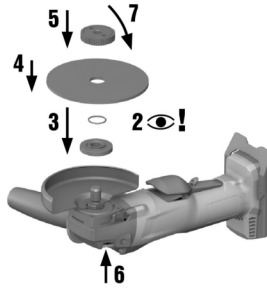
8



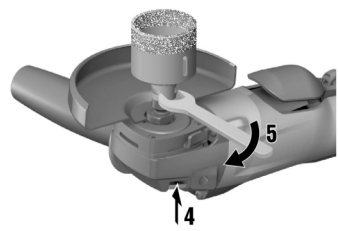
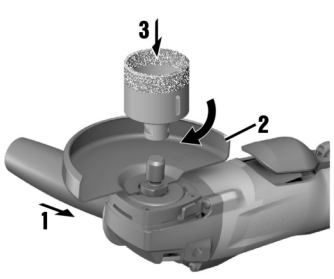
9



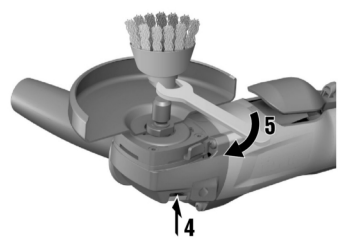
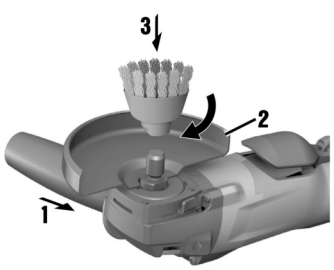
10



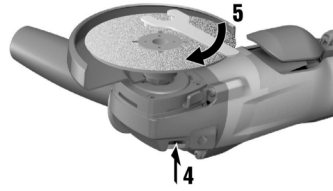
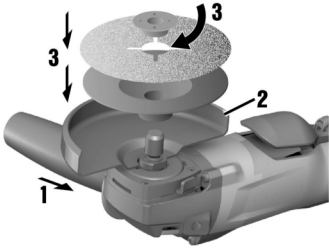
11



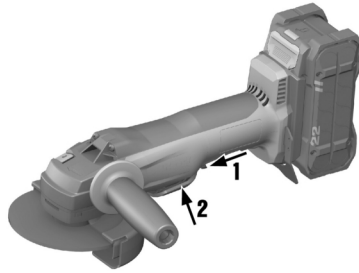
12



13



14



# AG 5D-22 (125)

en	Original operating instructions .....	1
he	הוראות הפעלה מקוריות .....	20





# Original operating instructions

## 1 Information about the operating instructions

### 1.1 About these operating instructions

- **Warning!** Read and understand all accompanying documentation, including but not limited to instructions, safety warnings, illustrations, and specifications provided with this product. Familiarize yourself with all the instructions, safety warnings, illustrations, specifications, components, and functions of the product before use. Failure to do so may result in electric shock, fire, and/or serious injury. Save all warnings and instructions for future reference.
- products are designed for professional users and only trained, authorized personnel are permitted to operate, service and maintain the products. This personnel must be specifically informed about the possible hazards. The product and its ancillary equipment can present hazards if used incorrectly by untrained personnel or if used not in accordance with the intended use.
- The accompanying documentation corresponds to the current state of the art at the time of printing. Please always check for the latest version on the product's page on Hilti's website. To do this, follow the link or scan the QR code in this documentation, marked with the symbol .
- Ensure that these operating instructions are with the product when it is given to other persons.

### 1.2 Explanation of symbols

#### 1.2.1 Warnings

Warnings alert persons to hazards that occur when handling or using the product. The following signal words are used:

**DANGER**

**DANGER !**

- ▶ Draws attention to imminent danger that will lead to serious personal injury or fatality.

**WARNING**

**WARNING !**

- ▶ Draws attention to a potential threat of danger that can lead to serious injury or fatality.

**CAUTION**

**CAUTION !**

- ▶ Draws attention to a potentially dangerous situation that could lead to personal injury or damage to the equipment or other property.

#### 1.2.2 Symbols in the operating instructions

The following symbols are used in these operating instructions:

	Comply with the operating instructions
	Instructions for use and other useful information
	Dealing with recyclable materials
	Do not dispose of electric equipment and batteries as household waste
	<b>Hilti</b> Li-ion battery
	<b>Hilti</b> charger

#### 1.2.3 Symbols in illustrations

The following symbols are used in illustrations:

- 2** These numbers refer to the illustrations at the beginning of these operating instructions.



3	The numbering reflects the sequence of operations shown in the illustrations and may deviate from the steps described in the text.
	Item reference numbers are used in the <b>overview illustration</b> and refer to the numbers used in the key in the <b>product overview</b> section.
	These characters are intended to specifically draw your attention to certain points when handling the product.

### 1.3 Product-dependent symbols

#### 1.3.1 Symbols on the product

The following symbols can be used on the product:

	Wear eye protection
	Always work with both hands.
	Do not work with the standard guard when carrying out cutting work.
$n_0$	Rated speed under no load
/min	Revolutions per minute
RPM	Revolutions per minute
	Diameter
	Direct current (DC)
	The product supports near-field communication (NFC) technology compatible with iOS and Android platforms.
Li-Ion	Li-ion battery
	Never use the battery as a striking tool.
	Do not drop the battery. Never use a battery that has suffered an impact or is damaged in any other way.

### 1.4 Product information

products are designed for professional users and only trained, authorized personnel are permitted to operate, service and maintain the products. This personnel must be specifically informed about the possible hazards. The product and its ancillary equipment can present hazards if used incorrectly by untrained personnel or if used not in accordance with the intended use.

The type designation and serial number are printed on the rating plate.

- ▶ Write down the serial number in the table below. You will be required to state the product details when contacting Hilti Service or your local Hilti organization to inquire about the product.

#### Product information

Angle grinder	AG 5D-22-125
Generation	01
Serial no.	

### 1.5 Declaration of conformity

The manufacturer declares, on his sole responsibility, that the product described here complies with the applicable legislation and standards. A copy of the declaration of conformity can be found at the end of this documentation.

The technical documentation is filed here:

Hilti Entwicklungsgesellschaft mbH | Tool Certification | Hiltistrasse 6 | D-86916 Kaufering, Germany



## 2 Safety

### 2.1 General power tool safety warnings

**⚠ WARNING** Read all safety warnings, instructions, illustrations and specifications provided with this power tool. Failure to follow all instructions listed below may result in electric shock, fire and/or serious injury. **Save all warnings and instructions for future reference.**

The term "power tool" in the warnings refers to your mains-operated (corded) power tool or battery-operated (cordless) power tool.

#### Work area safety

- ▶ **Keep work area clean and well lit.** Cluttered or dark areas invite accidents.
- ▶ **Do not operate power tools in explosive atmospheres, such as in the presence of flammable liquids, gases or dust.** Power tools create sparks which may ignite the dust or fumes.
- ▶ **Keep children and bystanders away while operating a power tool.** Distractions can cause you to lose control.

#### Electrical safety

- ▶ **Power tool plugs must match the outlet. Never modify the plug in any way. Do not use any adapter plugs with earthed (grounded) power tools.** Unmodified plugs and matching outlets will reduce risk of electric shock.
- ▶ **Avoid body contact with earthed or grounded surfaces, such as pipes, radiators, ranges and refrigerators.** There is an increased risk of electric shock if your body is earthed or grounded.
- ▶ **Do not expose power tools to rain or wet conditions.** Water entering a power tool will increase the risk of electric shock.
- ▶ **Do not abuse the cord. Never use the cord for carrying, pulling or unplugging the power tool. Keep cord away from heat, oil, sharp edges or moving parts.** Damaged or entangled cords increase the risk of electric shock.
- ▶ **When operating a power tool outdoors, use an extension cord suitable for outdoor use.** Use of a cord suitable for outdoor use reduces the risk of electric shock.
- ▶ **If operating a power tool in a damp location is unavoidable, use a residual current device (RCD) protected supply.** Use of an RCD reduces the risk of electric shock.

#### Personal safety

- ▶ **Stay alert, watch what you are doing and use common sense when operating a power tool. Do not use a power tool while you are tired or under the influence of drugs, alcohol or medication.** A moment of inattention while operating power tools may result in serious personal injury.
- ▶ **Use personal protective equipment. Always wear eye protection.** Protective equipment such as a dust mask, non-skid safety shoes, hard hat or hearing protection used for appropriate conditions will reduce personal injuries.
- ▶ **Prevent unintentional starting. Ensure the switch is in the off-position before connecting to power source and/or battery pack, picking up or carrying the tool.** Carrying power tools with your finger on the switch or energising power tools that have the switch on invites accidents.
- ▶ **Remove any adjusting key or wrench before turning the power tool on.** A wrench or a key left attached to a rotating part of the power tool may result in personal injury.
- ▶ **Do not overreach. Keep proper footing and balance at all times.** This enables better control of the power tool in unexpected situations.
- ▶ **Dress properly. Do not wear loose clothing or jewellery. Keep your hair and clothing away from moving parts.** Loose clothes, jewellery or long hair can be caught in moving parts.
- ▶ **If devices are provided for the connection of dust extraction and collection facilities, ensure these are connected and properly used.** Use of dust collection can reduce dust-related hazards.
- ▶ **Do not let familiarity gained from frequent use of tools allow you to become complacent and ignore tool safety principles.** A careless action can cause severe injury within a fraction of a second.

#### Power tool use and care

- ▶ **Do not force the power tool. Use the correct power tool for your application.** The correct power tool will do the job better and safer at the rate for which it was designed.
- ▶ **Do not use the power tool if the switch does not turn it on and off.** Any power tool that cannot be controlled with the switch is dangerous and must be repaired.
- ▶ **Disconnect the plug from the power source and/or remove the battery pack, if detachable, from the power tool before making any adjustments, changing accessories, or storing power tools.** Such preventive safety measures reduce the risk of starting the power tool accidentally.



- ▶ **Store idle power tools out of the reach of children and do not allow persons unfamiliar with the power tool or these instructions to operate the power tool.** Power tools are dangerous in the hands of untrained users.
- ▶ **Maintain power tools and accessories. Check for misalignment or binding of moving parts, breakage of parts and any other condition that may affect the power tool's operation. If damaged, have the power tool repaired before use.** Many accidents are caused by poorly maintained power tools.
- ▶ **Keep cutting tools sharp and clean.** Properly maintained cutting tools with sharp cutting edges are less likely to bind and are easier to control.
- ▶ **Use the power tool, accessories and tool bits etc. in accordance with these instructions, taking into account the working conditions and the work to be performed.** Use of the power tool for operations different from those intended could result in a hazardous situation.
- ▶ **Keep handles and grasping surfaces dry, clean and free from oil and grease.** Slippery handles and grasping surfaces do not allow for safe handling and control of the tool in unexpected situations.

#### **Battery tool use and care**

- ▶ **Recharge only with the charger specified by the manufacturer.** A charger that is suitable for one type of battery pack may create a risk of fire when used with another battery pack.
- ▶ **Use power tools only with specifically designated battery packs.** Use of any other battery packs may create a risk of injury and fire.
- ▶ **When battery pack is not in use, keep it away from other metal objects, like paper clips, coins, keys, nails, screws or other small metal objects, that can make a connection from one terminal to another.** Shorting the battery terminals together may cause burns or a fire.
- ▶ **Under abusive conditions, liquid may be ejected from the battery; avoid contact. If contact accidentally occurs, flush with water. If liquid contacts eyes, additionally seek medical help.** Liquid ejected from the battery may cause irritation or burns.
- ▶ **Do not use a battery pack or tool that is damaged or modified.** Damaged or modified batteries may exhibit unpredictable behaviour resulting in fire, explosion or risk of injury.
- ▶ **Do not expose a battery pack or tool to fire or excessive temperature.** Exposure to fire or temperature above 130° C (265 °F) may cause explosion.
- ▶ **Follow all charging instructions and do not charge the battery pack or tool outside the temperature range specified in the instructions.** Charging improperly or at temperatures outside the specified range may damage the battery and increase the risk of fire.

#### **Service**

- ▶ **Have your power tool serviced by a qualified repair person using only identical replacement parts.** This will ensure that the safety of the power tool is maintained.
- ▶ **Never service damaged battery packs.** Service of battery packs should only be performed by the manufacturer or authorized service providers.

## **2.2 Safety instructions for all operations**

### **Safety warnings common for grinding, sanding, wire brushing or cutting-off operations:**

- ▶ **This power tool is intended to function as a grinder, sander, wire brush, hole cutter or cut-off tool. Read all safety warnings, instructions, illustrations and specifications provided with this power tool.** Failure to follow all instructions listed below may result in electric shock, fire and/or serious injury.
- ▶ **Operations such as polishing are not to be performed with this power tool.** Operations for which the power tool was not designed may create a hazard and cause personal injury.
- ▶ **Do not convert this power tool to operate in a way which is not specifically designed and specified by the tool manufacturer.** Such a conversion may result in a loss of control and cause serious personal injury.
- ▶ **Do not use accessories which are not specifically designed and specified by the tool manufacturer.** Just because the accessory can be attached to your power tool, it does not assure safe operation.
- ▶ **The rated speed of the accessory must be at least equal to the maximum speed marked on the power tool.** Accessories running faster than their rated speed can break and fly apart.
- ▶ **The outside diameter and the thickness of your accessory must be within the capacity rating of your power tool.** Incorrectly sized accessories cannot be adequately guarded or controlled.
- ▶ **The dimensions of the accessory mounting must fit the dimensions of the mounting hardware of the power tool.** Accessories that do not match the mounting hardware of the power tool will run out of balance, vibrate excessively and may cause loss of control.
- ▶ **Do not use a damaged accessory. Before each use inspect the accessory such as abrasive wheels for chips and cracks, backing pad for cracks, tear or excess wear, wire brush for loose or**



cracked wires. If power tool or accessory is dropped, inspect for damage or install an undamaged accessory. After inspecting and installing an accessory, position yourself and bystanders away from the plane of the rotating accessory and run the power tool at maximum no-load speed for one minute. Damaged accessories will normally break apart during this test time.

- ▶ **Wear personal protective equipment. Depending on application, use face shield, safety goggles or safety glasses. As appropriate, wear dust mask, hearing protectors, gloves and workshop apron capable of stopping small abrasive or workpiece fragments.** The eye protection must be capable of stopping flying debris generated by various applications. The dust mask or respirator must be capable of filtrating particles generated by the particular application. Prolonged exposure to high intensity noise may cause hearing loss.
- ▶ **Keep bystanders a safe distance away from work area. Anyone entering the work area must wear personal protective equipment.** Fragments of workpiece or of a broken accessory may fly away and cause injury beyond immediate area of operation.
- ▶ **Hold the power tool by insulated gripping surfaces only, when performing an operation where the cutting tool may contact hidden wiring.** Contact with a "live" wire will also make exposed metal parts of the power tool "live" and could give the operator an electric shock.
- ▶ **Never lay the power tool down until the accessory has come to a complete stop.** The spinning accessory may grab the surface and pull the power tool out of your control.
- ▶ **Do not run the power tool while carrying it at your side.** Accidental contact with the spinning accessory could snag your clothing, pulling the accessory into your body.
- ▶ **Regularly clean the power tool's air vents.** The motor's fan will draw the dust inside the housing and excessive accumulation of powdered metal may cause electrical hazards.
- ▶ **Do not operate the power tool near flammable materials.** Sparks could ignite these materials.
- ▶ **Do not use accessories that require liquid coolants.** Using water or other liquid coolants may result in electrocution or shock.

#### **Kickback and related warnings**

Kickback is a sudden reaction to a pinched or snagged rotating wheel, backing pad, brush or any other accessory. Pinching or snagging causes rapid stalling of the rotating accessory which in turn causes the uncontrolled power tool to be forced in the direction opposite of the accessory's rotation at the point of the binding.

For example, if an abrasive wheel is snagged or pinched by the workpiece, the edge of the wheel that is entering into the pinch point can dig into the surface of the material causing the wheel to climb out or kick out. The wheel may either jump toward or away from the operator, depending on direction of the wheel's movement at the point of pinching. Abrasive wheels may also break under these conditions.

Kickback is the result of power tool misuse and / or incorrect operating procedures or conditions and can be avoided by taking proper precautions as given below.

- ▶ **Maintain a firm grip with both hands on the power tool and position your body and arms to allow you to resist kickback forces. Always use auxiliary handle, if provided, for maximum control over kickback or torque reaction during start-up.** The operator can control torque reactions or kickback forces, if proper precautions are taken.
- ▶ **Never place your hand near the rotating accessory.** Accessory may kickback over your hand.
- ▶ **Do not position your body in the area where power tool will move if kickback occurs.** Kickback will propel the tool in direction opposite to the wheel's movement at the point of snagging.
- ▶ **Use special care when working corners, sharp edges etc. Avoid bouncing and snagging the accessory.** Corners, sharp edges or bouncing have a tendency to snag the rotating accessory and cause loss of control or kickback.
- ▶ **Do not attach a saw chain woodcarving blade, segmented diamond wheel with a peripheral gap greater than 10 mm or toothed saw blade.** Such blades create frequent kickback and loss of control.

#### **Safety warnings specific for grinding and cutting-off operations:**

- ▶ **Use only wheel types that are specified for your power tool and the specific guard designed for the selected wheel.** Wheels for which the power tool was not designed cannot be adequately guarded and are unsafe.
- ▶ **The grinding surface of centre depressed wheels must be mounted below the plane of the guard lip.** An improperly mounted wheel that projects through the plane of the guard lip cannot be adequately protected.
- ▶ **The guard must be securely attached to the power tool and positioned for maximum safety, so the least amount of wheel is exposed towards the operator.** The guard helps to protect the operator from broken wheel fragments, accidental contact with wheel and sparks that could ignite clothing.



- ▶ **Wheels must be used only for specified applications. For example: do not grind with the side of cut-off wheel.** Abrasive cut-off wheels are intended for peripheral grinding, side forces applied to these wheels may cause them to shatter.
- ▶ **Always use undamaged wheel flanges that are of correct size and shape for your selected wheel.** Proper wheel flanges support the wheel thus reducing the possibility of wheel breakage. Flanges for cut-off wheels may be different from grinding wheel flanges.
- ▶ **Do not use worn down wheels from larger power tools.** A wheel intended for larger power tool is not suitable for the higher speed of a smaller tool and may burst.
- ▶ **When using dual purpose wheels always use the correct guard for the application being performed.** Failure to use the correct guard may not provide the desired level of guarding, which could lead to serious injury.

#### **Additional safety warnings specific for cutting-off operations:**

- ▶ **Do not "jam" the cut-off wheel or apply excessive pressure. Do not attempt to make an excessive depth of cut.** Overstressing the wheel increases the loading and susceptibility to twisting or binding of the wheel in the cut and the possibility of kickback or wheel breakage.
- ▶ **Do not position your body in line with and behind the rotating wheel.** When the wheel, at the point of operation, is moving away from your body, the possible kickback may propel the spinning wheel and the power tool directly at you.
- ▶ **When the wheel is binding or when interrupting a cut for any reason, switch off the power tool and hold it motionless until the wheel comes to a complete stop. Never attempt to remove the cut-off wheel from the cut while the wheel is in motion otherwise kickback may occur.** Investigate and take corrective action to eliminate the cause of wheel binding.
- ▶ **Do not restart the cutting operation in the workpiece. Let the wheel reach full speed and carefully re-enter the cut.** The wheel may bind, walk up or kickback if the power tool is restarted in the workpiece.
- ▶ **Support panels or any oversized workpiece to minimize the risk of wheel pinching and kickback.** Large workpieces tend to sag under their own weight. Supports must be placed under the workpiece near the line of cut and near the edge of the workpiece on both sides of the wheel.
- ▶ **Use extra caution when making a "pocket cut" into existing walls or other blind areas.** The protruding wheel may cut gas or water pipes, electrical wiring or objects that can cause kickback.
- ▶ **Do not attempt to do curved cutting.** Overstressing the wheel increases the loading and susceptibility to twisting or binding of the wheel in the cut and the possibility of kickback or wheel breakage, which can lead to serious injury.

#### **Safety warnings specific for sanding operations:**

- ▶ **Use proper sized sanding disc paper. Follow manufacturers recommendations, when selecting sanding paper.** Larger sanding paper extending too far beyond the sanding pad presents a laceration hazard and may cause snagging, tearing of the disc or kickback.

#### **Safety warnings specific for wire brushing operations:**

- ▶ **Be aware that wire bristles are thrown by the brush even during ordinary operation. Do not overstress the wires by applying excessive load to the brush.** The wire bristles can easily penetrate light clothing and / or skin.
- ▶ **If the use of a guard is specified for wire brushing, do not allow any interference of the wire wheel or brush with the guard.** Wire wheel or brush may expand in diameter due to work load and centrifugal forces.

## **2.3 Additional safety instructions**

### **Personal safety**

- ▶ Use the product and accessories only when they are in perfect working order.
- ▶ Never tamper with or modify the product or accessories in any way.
- ▶ Wear ear protectors. Exposure to noise can cause hearing loss.
- ▶ Always hold the product with both hands on the grips provided. Keep the grips dry, clean and free from oil and grease.
- ▶ Respiratory protection must be worn if the product is used without a dust removal system for work that creates dust.
- ▶ Take frequent breaks and do physical exercises to improve the blood circulation in your fingers. High vibration during long periods of work can lead to disorders of the blood vessels and nervous system in the fingers, hands and wrists.
- ▶ Do not touch rotating parts. Switch the product on only after it is in position at the workpiece. Touching rotating parts, especially rotating accessory tools, can result in injury.
- ▶ Wait until the product stops completely before you lay it down.



- ▶ Keep the air vents clear at all times. Risk of burn injuries due to blocked air vents!
- ▶ The product is not intended for use by debilitated persons who have received no special training. Keep the product out of reach of children.
- ▶ Dust produced by grinding, sanding, cutting and drilling can contain dangerous chemicals. Some examples are: lead or lead-based paints; brick, concrete and other masonry products, natural stone and other products containing silicates; certain types of wood, such as oak, beech and chemically treated wood; asbestos or materials that contain asbestos. Determine the exposure of the operator and bystanders by means of the hazard classification of the materials to be worked. Implement the necessary measures to restrict exposure to a safe level, for example by the use of a dust collection system or by the wearing of suitable respiratory protection. The general measures for reducing exposure include:
  - ▶ working in an area that is well ventilated,
  - ▶ avoidance of prolonged contact with dust,
  - ▶ directing dust away from the face and body,
  - ▶ wearing protective clothing and washing exposed areas of the skin with water and soap.
- ▶ The user and the other persons in the vicinity must wear eye protection, a hard hat and ear protection while the product is in use.
- ▶ Wear protective gloves when changing the accessory tool. Touching the accessory tool can result in cuts and burns.
- ▶ Risk of injury by falling tools and/or accessories. Before starting work, check that the battery and installed accessories are secure.
- ▶ If the product detects operation beyond its limits or a discharged battery, there is a possibility that the tool will no longer be braked by the motor.
- ▶ Do not attach a belt hook to this product.

#### **Power tool use and care**

- ▶ Grinding discs must be stored and handled carefully in accordance with the manufacturer's instructions.
- ▶ Never use the power tool without the guard (hood).
- ▶ Secure the workpiece. Use clamps or a bench vise to hold the workpiece in position. The workpiece is thus held more securely than by hand and both hands remain free to operate the product.
- ▶ Do not use cut-off wheels for grinding.
- ▶ Tighten the accessory tool and flange securely. If the accessory tool and flange are not tightened securely, the accessory tool may work loose from the arbor due to the braking effect of the motor after switching off.

#### **Electrical safety**

- ▶ Before beginning work, check the working area for concealed electric cables or gas and water pipes. External metal parts of the product could give you an electric shock or cause an explosion if you accidentally damage an electric cable or a gas or water pipe.
- ▶ Dirty or dusty products that have been used frequently for work on conductive materials should be checked at regular intervals by **Hilti Service**. Dust (especially dust from conductive materials) or dampness adhering to the surface of the power tool may, under unfavorable conditions, lead to electric shock.

#### **Workplace**

- ▶ Apply appropriate safety measures at the opposite side of the workpiece in work that involves breaking through. Pieces of debris could drop out and / or fall down and injure other persons.
- ▶ Slits cut in load-bearing walls of buildings or other structures may influence the statics of the structure, especially when steel reinforcing bars or load-bearing components are cut through. Consult the responsible structural engineer, architect or person in charge of the building project before beginning the work.

#### **Additional notes on the use of the guards**

To avoid the risks below always use the correct guard, see the section headed: "Suitability of wheels for the equipment used".

- ▶ If the Standard guard with front cover is used for surface grinding, the guard can touch the workpiece and thus lead to loss of control.
- ▶ If a wire brush of a thickness exceeding the maximum permissible thickness is used, the wires can snag on the guard and break.
- ▶ If the standard guard is used for cutting off metal with an abrasive cut-off wheel, there is an increased risk of exposure to sparks and particles and to wheel fragments if the wheel breaks.
- ▶ If the standard guard is used with or without front cover for cutting or for grinding concrete or masonry, there is a higher dust load and an increased risk of losing control of the product, which can lead to kickbacks.



## 2.4 Careful handling and use of batteries

- ▶ **Comply with the following safety instructions for the safe handling and use of Li-ion batteries.**  
Failure to comply can lead to skin irritation, severe corrosive injury, chemical burns, fire and/or explosion.
- ▶ Use only batteries that are in perfect working order.
- ▶ Treat batteries with care in order to avoid damage and prevent leakage of fluids that are extremely harmful to health!
- ▶ Do not under any circumstances modify or tamper with batteries!
- ▶ Do not disassemble, crush or incinerate batteries and do not subject them to temperatures over 80 °C (176 °F).
- ▶ Never use or charge a battery that has suffered an impact or been damaged in any other way. Check your batteries regularly for signs of damage.
- ▶ Never use recycled or repaired batteries.
- ▶ Never use the battery or a battery-operated power tool as a striking tool.
- ▶ Never expose batteries to the direct rays of the sun, elevated temperature, sparking, or open flame. This can lead to explosions.
- ▶ Do not touch the battery poles with your fingers, tools, jewelry, or other electrically conductive objects. This can damage the battery and also cause material damage and personal injury.
- ▶ Keep batteries away from rain, moisture and liquids. Penetrating moisture can cause short circuits, electric shock, burns, fire and explosions.
- ▶ Use only chargers and power tools approved for the specific battery type. Read and follow the relevant operating instructions.
- ▶ Do not use or store the battery in explosive environments.
- ▶ If the battery is too hot to touch, it may be defective. Put the battery in a place where it is clearly visible and where there is no risk of fire, at an adequate distance from flammable materials. Allow the battery to cool down. If it is still too hot to touch after an hour, the battery is faulty. Consult **Hilti** Service or read the document entitled "Instructions on safety and use for **Hilti** Li-ion batteries".



Observe the special guidelines applicable to the transport, storage and use of lithium-ion batteries.  
→ page 18

Read the instructions on safety and use of **Hilti** Li-ion batteries that you can access by scanning the QR code at the end of these operating instructions.

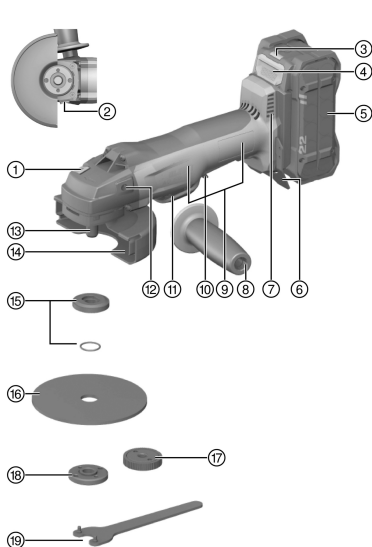
---





### 3 Description

#### 3.1 Product overview



- ① Guard release button
- ② Spindle lock button
- ③ Battery status indicator
- ④ Battery release button
- ⑤ Battery
- ⑥ Spark guard
- ⑦ Air vents
- ⑧ Vibration-absorbing side handle
- ⑨ Gripping surface
- ⑩ Switch-on interlock
- ⑪ On/off switch
- ⑫ Threaded bushing for the grip
- ⑬ Spindle
- ⑭ Standard guard with front cover
- ⑮ Clamping flange with O-ring
- ⑯ Abrasive cut-off wheel / abrasive grinding wheel
- ⑰ **Kwik lock** clamping nut (optional)
- ⑱ Clamping nut
- ⑲ Pin wrench

#### 3.2 Intended use

The product described is a hand-held cordless angle grinder. It is designed for cutting and grinding metal and mineral materials, brushing, sanding and for hole cutting in tiles, all without use of water.

The tool can be used for cutting, slitting and grinding mineral materials only in combination with the appropriate guard.

A dust removal hood together with a suitable **Hilti** vacuum cleaner must be used for working on mineral materials such as concrete or stone.

- For this product, use only **Hilti** Nuron lithium-ion batteries of the B 22 series. For optimum performance, **Hilti** recommends the batteries stated in the table at the end of these operating instructions for this product.
- For these batteries, use only **Hilti** chargers of the type series stated in the table at the end of these operating instructions.

#### 3.3 Items supplied

Angle grinder, side handle, standard guard, front cover, clamping flange, clamping nut, pin wrench, operating instructions.

Other system products approved for use with this product can be found at your local **Hilti Store** or at: [www.hilti.group](http://www.hilti.group)

#### 3.4 Motor protection function

The motor protection function monitors current consumption and motor temperature and prevents the product from overheating.

If the motor is overloaded through application of excessive working pressure, the product's performance drops noticeably or it might stall completely.



If the power tool stalls or slows significantly due to overloading, release the pressure applied to the product and then allow it to run under no load for approx. 30 seconds.



### 3.5 Integrated brake

The integrated brake reduces the time it takes until the accessory tool stops rotating after switching off.



This functions correctly only as long as the product is supplied with electric current.  
Braking time varies, depending on the selected accessory tool.

### 3.6 Front cover

Use the standard guard with front cover for the applications listed below:

- Grinding with straight grinding wheels
- Cutting with cut-off wheels

### 3.7 DC-EX 125/5" C compact dust hood for cutting (accessory)

When cutting mineral materials with diamond cut-off wheels, use the DC-EX 125/5" C compact hood.

**CAUTION** Use of this hood for working on metal is prohibited.

### 3.8 DG-EX 125/5" dust hood for grinding (accessory)

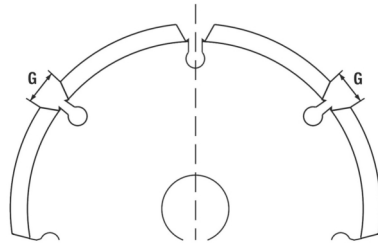
The grinding system is suitable only for occasional use with diamond cup wheels for grinding mineral materials.

**CAUTION** Use of this hood for working on metal is prohibited.

### 3.9 Dimensions and format of suitable diamond slitting wheels

Diamond slitting wheels must meet the following requirements in terms of dimensions and format.

Technical data	
Slot width between segments (G)	≤ 10 mm
Cutting angle	Negative



### 3.10 Status indicators of the Li-ion battery

Hilti Nuron Li-ion batteries can indicate state of charge, fault messages and the battery's state of health.

#### 3.10.1 Indicators for state of charge and fault messages



##### Risk of injury by a falling battery!

- ▶ If the release button is pressed with a battery inserted in the product, subsequently check that the battery is correctly re-engaged and secure.

Short-press the release button of the battery to get whichever of the following status indications is applicable at the time.

State of charge and, if applicable, faults are indicated constantly as long as the connected product is switched on.

Status	Meaning
Four (4) LEDs show constantly green	State of charge: 100 % to 71 %
Three (3) LEDs show constantly green	State of charge: 70 % to 51 %
Two (2) LEDs show constantly green	State of charge: 50 % to 26 %
One (1) LED shows constantly green	State of charge: 25 % to 10 %
One (1) LED slow-flashes green	State of charge: < 10 %



Status	Meaning
One (1) LED quick-flashes green	The Li-ion battery is completely discharged. Recharge the battery. If the LED again starts quick-flashing after the battery has been charged, consult <b>Hilti Service</b> .
One (1) LED quick-flashes yellow	The Li-ion battery or the product in which it is inserted is overloaded, too hot or too cold, or experiencing some other fault. Bring the product and the battery to the recommended working temperature and do not overload the product when it is in use. If the message persists, consult <b>Hilti Service</b> .
One (1) LED shows yellow	The Li-ion battery and the product in which it is inserted are not compatible. Consult <b>Hilti Service</b> .
One (1) LED quick-flashes red	The Li-ion battery is locked and cannot be used. Consult <b>Hilti Service</b> .

### 3.10.2 Indicators showing the battery's state of health

To check the battery's state of health, press the release button and hold it down for longer than three seconds. The system does not detect a potential malfunction of the battery due to misuse, for example battery dropped or pierced, external heat damage, etc.

Status	Meaning
All LEDs show in sequence, followed by one (1) LED showing constantly green.	The battery can remain in use.
All LEDs show in sequence, followed by one (1) LED quick-flashing yellow.	The check to ascertain the battery's state of health did not complete. Repeat the procedure, or consult <b>Hilti Service</b> .
All LEDs show in sequence, followed by one (1) LED showing constantly red.	If a connected product can still be used, the remaining battery capacity is below 50 %. If a connected product can no longer be used, the battery has reached the end of its useful life and has to be replaced. Consult <b>Hilti Service</b> .

## 4 Consumables

Use only synthetic resin-bonded, fiber-reinforced wheels with a maximum  $\varnothing$  of 125 mm (5") approved for a rotational speed of at least 11000 rpm and a peripheral speed of 80 m/s.

**ATTENTION! When cutting or slitting with cut-off wheels always use the standard guard with the additional front cover, or a fully enclosing dust hood.**

### Wheels

Type	Application	Designation	Material	max. thickness	max. diameter
Abrasive cut-off wheel	Cutting, slitting	AC-D	Metal	2.5 mm	125 mm
Diamond cut-off wheel	Cutting, slitting	DC-TP, DC-D (SPX, SP, P)	Mineral	3 mm	125 mm
Abrasive grinding wheel	Rough grinding	AG-D, AF-D, AN-D	Metal	6.4 mm	125 mm
Diamond grinding wheel	Rough grinding	DG-CW (SPX, SP, P)	Mineral	—	125 mm
Wire brush	Wire brushes	3CS, 4CS, 3SS, 4SS	— 27 mm	75 mm 125 mm	125 mm
Diamond core bit	Hole cutting in tiles	DD-M14	Mineral	—	125 mm
Abrasive resin-fiber wheel	Rough grinding	AP-D	Metal	—	125 mm



**Suitability of wheels for the equipment used**

Item	Equipment	AC-D	AG-D, AF-D, AN-D	DG-CW (SPX, SP, P)	DC-TP, DC-D (SPX, SP, P)	AP-D	3CS, 4CS, 3SS, 4SS, DD-M14
A	Guard	X	X	X	X	X	X
B	Front cover (in combination with A)	X	—	—	X	—	—
C	Dust hood (grinding) DG-EX 125/5"	—	—	X	—	—	—
D	Dust hood (cutting) DC-EX 125/5"C (in combination with A)	—	—	—	X	—	—
E	Side handle	X	X	X	X	X	X
F	Clamping nut	X	X	X	X	—	—
G	Clamping flange	X	X	X	X	—	—
H	<b>Kwik lock</b> (optional instead of H)	X	X	—	X	—	—
I	Clamping nut for abrasive resin-fiber wheel	—	—	—	—	X	—
J	Support plate	—	—	—	—	X	—

**5 Technical data**

<b>Rated voltage</b>	21.6 V
<b>Rated speed</b>	9,000 /min
<b>Maximum wheel diameter</b>	125 mm
<b>Weight in accordance with EPTA Procedure 01, without battery</b>	2.1 kg
<b>Drive spindle thread</b>	M14
<b>Spindle length</b>	22 mm
<b>Ambient temperature for operation</b>	-17 °C ... 60 °C
<b>Storage temperature</b>	-20 °C ... 70 °C

**5.1 Battery**

<b>Battery operating voltage</b>	21.6 V
<b>Weight, battery</b>	See the end of these operating instructions
<b>Ambient temperature for operation</b>	-17 °C ... 60 °C
<b>Storage temperature</b>	-20 °C ... 40 °C
<b>Battery charging starting temperature</b>	-10 °C ... 45 °C

**5.2 Noise information and vibration values in accordance with EN 62841**

The sound pressure and vibration values given in these instructions have been measured in accordance with a standardized test and may be used to compare one power tool with another. They may be used for a preliminary assessment of exposure.

The data given represent the main applications of the power tool. However, if the power tool is used for different applications, with different accessory tools, or is poorly maintained, the data can vary. This can significantly increase exposure over the total working period.

An accurate estimation of exposure should also take into account the times when the power tool is switched off, or when it is running but not actually being used for a job. This can significantly reduce exposure over the total working period.



Identify additional safety measures to protect the operator from the effects of noise and/or vibration, for example: Maintaining the power tool and accessory tools, keeping the hands warm, organization of work patterns.

Grinding thin sheet metal or other large-area structures prone to vibration can lead to increased noise emissions higher than the stated noise emission values. You can reduce the noise emissions produced in this way by adopting noise-reducing measures such as the application of heavy, flexible insulating mats. Always take these increased values into consideration as well in the hazard assessment of noise exposure and in the choice of suitable hearing protection.

#### Noise information

Emission sound pressure level ( $L_{pA}$ )	88 dB(A)
Uncertainty for the sound pressure level ( $K_{pA}$ )	3 dB(A)
Sound power level ( $L_{WA}$ )	96 dB(A)
Uncertainty for the sound power level ( $K_{WA}$ )	3 dB(A)

#### Vibration information

Other applications, such as cutting, may produce vibration values that deviate from the given values.

		AG 5D-22
Surface grinding with the vibration-absorbing side handle ( $a_{h,AG}$ )	B 22-55	5.4 m/s <sup>2</sup>
	B 22-170	4.6 m/s <sup>2</sup>
Sanding with sandpaper with the vibration-absorbing side handle ( $a_{h,DS}$ )	B 22-55	3.5 m/s <sup>2</sup>
	B 22-170	3.8 m/s <sup>2</sup>
Uncertainty (K)		1.5 m/s <sup>2</sup>

## 6 Preparations at the workplace

### WARNING

#### Risk of injury by inadvertent starting!

- ▶ Before inserting the battery, make sure that the product is switched off.
- ▶ Remove the battery before making any adjustments to the power tool or before changing accessories.

Observe the safety instructions and warnings in this documentation and on the product.

### 6.1 Charging the battery

1. Before charging the battery, read the operating instructions for the charger.
2. Make sure that the contacts on the battery and the contacts on the charger are clean and dry.
3. Use an approved charger to charge the battery. → page 9

### 6.2 Inserting the battery

#### WARNING

#### Risk of injury by short circuit or falling battery!

- ▶ Before inserting the battery, make sure that the contacts on the battery and the contacts on the product are free of foreign matter.
- ▶ Make sure that the battery always engages correctly.


1. Charge the battery fully before using it for the first time.
2. Push the battery into the product until it engages with an audible click.
3. Check that the battery is seated securely.

### 6.3 Removing the battery

1. Press the battery release button.
2. Remove the battery from the product.



## 6.4 Installing the Hilti retaining strap (optional)

 When working with the product, you must comply with national regulations for working at heights.  
Comply with the operating instructions of the retaining strap.


1. Position the two tabs of the retaining strap accurately on the spark guard.
2. Secure the retaining strap with the corresponding screws through the holes provided in the spark guard.
3. Insert the battery. → page 13

## 6.5 Fall arrest

### WARNING


**Risk of injury** by falling tool and/or accessory!

- ▶ Use only the **Hilti** tool tether recommended for your product.
- ▶ Prior to each use, always check the attachment point of the tool tether for possible damage.

 Comply with the national regulations for working at heights.

As drop arrester for this product, use only a combination of the **Hilti** retaining strap #2293133 and the **Hilti** tool tether #2261970.

- ▶ Secure the retaining strap to the installation openings for accessories. Check that it holds securely.
- ▶ Secure one carabiner of the tool tether to the retaining strap and secure the second carabiner to a load-bearing structure. Check that both carabiners hold securely.

 Comply with the operating instructions of the **Hilti** retaining strap and those of the **Hilti** tool tether.

## 6.6 Fitting the side handle

- ▶ Screw the side handle into one of the threaded bushings provided.


## 6.7 Fitting or removing the guard

### CAUTION

**Risk of injury.** The accessory tool may be hot or have sharp edges.

- ▶ Wear protective gloves when fitting, removing or adjusting the accessory tool or other parts and when troubleshooting.
- ▶ Observe the instructions for fitting the applicable guard.

### 6.7.1 Fitting the guard

 The guard has coded locating lugs to ensure that only a guard suitable for use with the product can be installed. The coded locating lugs of the guard fit into the guard mount on the product.

1. Fit the guard on to the arbor collar so that the two triangular marks on the guard and on the product are in alignment.
2. Press the guard on to the drive spindle collar.
3. Press the guard release button.
4. Rotate the guard until it engages and the guard release button jumps back into its original position.

### 6.7.2 Adjusting the guard

- ▶ Press the guard release button and then rotate the guard until it engages in the desired position.

### 6.7.3 Removing the hood

1. Press the guard release button and turn the guard until the triangular marks on the guard and on the product are in alignment.



- Remove the guard.

## 6.8 Fitting or removing the front cover



The front cover, when used, is clipped onto the guard.

- Position the front cover with the closed side on the standard guard and push it on until it engages.
- To remove it, release the catch for the front cover and then lift the front cover away from the standard guard.

## 6.9 Positioning the DC-EX 125/5°C dust hood (for cutting)

- Position the compact guard so that the on/off switch remains easily accessible and operable at all times.

## 6.10 Fitting and removing accessory tools



### WARNING

**Risk of injury.** The accessory tool may work loose due to the braking effect of the motor.

- Wait until the accessory tool has come to a standstill before touching or gripping the accessory tool or the clamping nut.
- Secure the accessory tool by tightening the clamping flange and clamping nut firmly so that no parts work loose from the spindle due to the braking effect of the motor.



### CAUTION

**Risk of injury.** The accessory tool may be hot.

- Wear protective gloves when changing the accessory tool.



Diamond wheels must be replaced when their cutting or grinding performance drops significantly. This generally is the case when the segments reach a height of less than 2 mm.

Other wheels must be replaced when their cutting performance drops significantly or other parts of the angle grinder (not the wheel) come into contact with the material you are working on.

Abrasive wheels must be replaced when their expiry date has been reached.

### 6.10.1 Fitting an accessory tool

- Check that the O-ring is in place in the clamping flange and that it is undamaged.
  - Replace the O-ring if it is missing or damaged.
- Fit the clamping flange onto the drive spindle (keyed fit to prevent slipping/rotation).
- Fit the accessory tool.
- Screw on the clamping nut corresponding to the type of accessory tool fitted.
- Press the spindle lock button and hold it in this position.
- Use the pin wrench to tighten the clamping nut securely, then release the spindle lock button and remove the wrench.

### 6.10.2 Removing the accessory tool



### WARNING

**Risk of breakage and irreparable damage.** If the spindle lockbutton is pressed while the spindle is rotating, the accessory tool can detach from the power tool.

- Press the spindle lockbutton only when the spindle has stopped rotating.
- Press the spindle lockbutton and hold it in this position.
  - Release the clamping nut by gripping it with the wrench and turning the nut counterclockwise.
  - Release the spindle lockbutton and remove the accessory tool.



### 6.10.3 Fitting an accessory tool secured with a **Kwik lock** nut **10**

#### **WARNING**

**Risk of breakage.** Heavy wear (abrasion) may cause the **Kwik lock** nut to break.

- ▶ When working with the power tool, make sure that the **Kwik lock** nut doesn't come into contact with the working surface.
  - ▶ Do not use a damaged **Kwik lock** nut.
- 



The optional **Kwik lock** nut can be used instead of the standard clamping nut. Accessory tools (wheels etc.) can then be changed without need for additional tools (keyless system).

---

1. Clean the clamping flange and the quick-release clamping nut.
2. Check that the O-ring is in place in the clamping flange and that it is undamaged.
  - ▶ Replace the O-ring if it is missing or damaged.
3. Fit the clamping flange onto the spindle (keyed fit to prevent slipping and rotation).
4. Fit the accessory tool.
5. Screw on the **Kwik lock** nut until it is seated against the accessory tool.
  - ▶ The name **Kwik lock** should be visible when the nut is screwed on.
6. Press the spindle lock button and hold it in this position.
7. Firmly turn the accessory tool clockwise by hand until the **Kwik lock** nut is tightened securely and then release the spindle lock button.

### 6.10.4 Removing an accessory tool secured with a **Kwik lock** nut

#### **WARNING**

**Risk of breakage and irreparable damage.** If the spindle lockbutton is pressed while the spindle is rotating, the accessory tool can detach from the power tool.

- ▶ Press the spindle lockbutton only when the spindle has stopped rotating.
- 

1. Press the spindle lockbutton and hold it in this position.
  2. Release the **Kwik lock** nut by turning it counterclockwise by hand.
  3. If the **Kwik lock** nut cannot be released by turning it by hand, use a pin wrench to turn the nut in a counterclockwise direction.
- 



Never use a pipe wrench! A pipe wrench could damage the **Kwik lock** nut.

---

4. Release the spindle lockbutton and remove the accessory tool.

### 6.10.5 Installing core bit **11**

1. Fit the side handle. → page 14
2. Fit the guard. → page 14
3. Place the core bit in position and tighten it hand-tight.
4. Press the spindle lock button and hold it in this position.
5. Tighten the core bit with a suitable open-end wrench.

### 6.10.6 Installing wire brush **12**

1. Fit the side handle. → page 14
2. Fit the guard. → page 14
3. Place the wire brush in position and tighten it hand-tight.
4. Press and hold down the spindle lock button.
5. Tighten the wire brush with a suitable open-end wrench.

### 6.10.7 Fitting the abrasive resin-fiber wheel **13**

1. Fit the side handle. → page 14
2. Fit the guard. → page 14
3. Fit the support plate and the abrasive resin-fiber wheel, screw on the clamping nut and tighten it securely.
4. Press and hold down the spindle lock button.
5. Use the pin wrench to tighten the clamping nut.





## 7 Operation

### 7.1 Grinding

#### CAUTION

**Risk of injury.** The accessory tool may suddenly stick or stall.

- ▶ Use the product with the side handle (or optional hoop handle) fitted and always hold the product securely with both hands.

Do not allow the accessory tool to jam and avoid excessive pressure on the product.

### 7.2 Cutting

- ▶ When cutting, keep the rate of advance moderate and do not tilt the product or the cut-off wheel to either side (working position is at approx. 90° to the cutting plane).

For best results when cutting profiles and small rectangular tube, start cutting with the cut-off wheel at the smallest cross-section.

### 7.3 Rough grinding

#### WARNING

**Risk of injury.** The abrasive cut-off wheel could shatter and flying fragments may cause injury.

- ▶ Never use abrasive cut-off wheels for grinding.
- ▶ Move the product to and fro while maintaining a 5° to 30° angle of attack and applying moderate pressure.
  - ▶ This will avoid overheating and discoloration of the workpiece and help ensure an even surface finish.

### 7.4 Switching on (tool equipped with switch-on interlock)

The on / off switch with switch-on interlock gives you full control of the switch function and avoids unintentional starting of the product.

1. Push the switch-on interlock forward.
  - ▶ The on/off switch is unlocked.
2. Press the on/off switch as far as it will go.
  - ▶ The power tool's motor runs at no-load speed.

### 7.5 Switching off, on/off switch with built-in switch-on interlock

- ▶ Release the on/off switch.
  - ▶ The switch-on interlock jumps automatically into the locked position.

## 8 Care and maintenance

#### WARNING

**Risk of injury with battery inserted !**

- ▶ Always remove the battery before carrying out care and maintenance tasks!

#### DANGER

**Electric shock due to breakdown of protective insulation.** When working on metal under extreme conditions, conductive dust (e.g. metal, carbon fiber) may accumulate inside the power tool, thereby adversely affecting the protective insulation.

- ▶ Use a stationary dust extraction system when working under extreme conditions.
- ▶ Clean the air vents frequently.

#### Care of the product

- Carefully remove stubborn dirt.



- Use only a slightly damp cloth to clean the housing. Do not use cleaning agents containing silicone as these can attack the plastic parts.
- Use a dry, clean cloth to clean the contacts of the product.

#### Care of the Li-ion batteries

- Never use a battery with clogged air vents. Clean the air vents carefully using a dry, soft brush.
- Avoid unnecessary exposure of the battery to dust and dirt. Never expose the battery to high levels of moisture (e.g. by being dipped in water or left in the rain).  
If a battery has been soaked by moisture, treat it as a damaged battery. Isolate it in a non-flammable container and consult **Hilti Service**.
- Keep the battery free of extraneous oil and grease. Do not permit dust or dirt to accumulate unnecessarily on the battery. Clean the battery with a dry, soft brush or a clean, dry cloth. Do not use cleaning agents containing silicone as these can attack the plastic parts.  
Do not touch the contacts of the battery and do not remove the factory-applied grease from the contacts.
- Use only a slightly damp cloth to clean the housing. Do not use cleaning agents containing silicone as these can attack the plastic parts.

#### Maintenance

- Check all visible parts and controls for signs of damage at regular intervals and make sure that they all function correctly.
- Do not use the product if signs of damage are found or if parts malfunction. Immediately have the product repaired by **Hilti Service**.
- After cleaning and maintenance, install all guards and protective devices and check that they are in full working order.



To help ensure safe and reliable operation, use only genuine Hilti spare parts and consumables. Spare parts, consumables and accessories approved by **Hilti** for use with your product can be found at your **Hilti Store** or online at: [www.hilti.group](http://www.hilti.group)

## 9 Transport and storage of cordless tools and batteries

### Transport



#### CAUTION

#### Accidental starting during transport !

- ▶ Always transport your products with the batteries removed!
- ▶ Remove the battery/batteries.
- ▶ Never transport batteries loose and unprotected. During transport, batteries should be protected from excessive shock and vibration and isolated from any conductive materials or other batteries that may come in contact with the terminals and cause a short circuit. **Comply with the locally applicable regulations for transporting batteries.**
- ▶ Do not send batteries through the mail. Consult your shipper for instructions on how to ship undamaged batteries.
- ▶ Prior to each use and before and after prolonged transport, check the product and the batteries for damage.

### Storage



#### WARNING

#### Accidental damage caused by defective or leaking batteries !

- ▶ Always store your products with the batteries removed!
- ▶ Store the product and the batteries in a cool and dry place. Comply with the temperature limits stated in the technical data.
- ▶ Do not store batteries on the charger. Always remove the battery from the charger when the charging operation has completed.
- ▶ Never leave batteries in direct sunlight, on sources of heat, or behind glass.
- ▶ Store the product and batteries where they cannot be accessed by children or unauthorized persons.
- ▶ Prior to each use and before and after prolonged storage, check the product and the batteries for damage.



## 10 Troubleshooting

If a problem occurs, always observe the charge-status and fault indicator of the battery. See the section headed **Status indicators of the Li-ion battery**.

If the trouble you are experiencing is not listed in this table or you are unable to rectify the problem by yourself, contact **Hilti Service**.

Trouble or fault	Possible cause	Action to be taken
The battery runs down more quickly than usual.	Very low ambient temperature.	▶ Allow the battery to warm up slowly to room temperature.
The battery doesn't engage with an audible click.	The retaining lug on the battery is dirty.	▶ Clean the retaining lug and re-insert the battery.
The product or battery gets very hot.	Electrical fault	▶ Switch the product off immediately, remove the battery, keep it under observation, allow it to cool down and contact <b>Hilti Service</b> .
	Clogged air vents	▶ Regularly clean the air vents.
Product does not develop full power.	A battery with inadequate capacity was used.	▶ Use a battery with adequate capacity.
The motor has no braking effect.	Battery is discharged.	▶ Change the battery and charge the empty battery.
	Product is momentarily overloaded.	▶ Release the control switch and then press it again.

## 11 Disposal

### WARNING

**Risk of injury due to incorrect disposal!** Health hazards due to escaping gases or liquids.

- ▶ DO NOT send batteries through the mail!
- ▶ Cover the terminals with a non-conductive material (such as electrical tape) to prevent short circuiting.
- ▶ Dispose of your battery out of the reach of children.
- ▶ Dispose of the battery at your **Hilti Store**, or consult your local governmental garbage disposal or public health and safety resources for disposal instructions.

Most of the materials from which **Hilti** products are manufactured can be recycled. The materials must be correctly separated before they can be recycled. In many countries, your old tools, machines or appliances can be returned to **Hilti** for recycling. Ask **Hilti Service** or your Hilti sales representative for further information.



- ▶ Do not dispose of power tools, electronic equipment or batteries as household waste!

## 12 Manufacturer's warranty

- ▶ Please contact your local **Hilti** representative if you have questions about the warranty conditions.

## 13 Further information


For more information on operation, technology, environment and recycling, follow this link: [qr.hilti.com/manual?id=2272031&id=2272032](https://qr.hilti.com/manual?id=2272031&id=2272032)

This link is also to be found at the end of the documentation, in the form of a QR code.



**1 מידע על הוראות הפעלה**

**1.1 על הוראות הפעלה אלו**

- **אזהרה!** לפני השימוש במוצר יש לקרוא ולהבין את הוראות הפעלה המצורפות למוצר, כולל ההערות, הוראות הבטיחות והאזהרות, האיומים והמפרטים. יש ללמוד במיוחד את כל הוראות הבטיחות, האזהרות, המפרטים והפונקציות השונות של המוצר. התעלמות מהנחיה זו מובילה לסכנת התחשמלות, שריפה ופציעות קשות. שמור את הוראות הפעלה, כולל כל הוראות הבטיחות והאזהרות לצורך שימוש בעתיד.
- המוצרים של **HILTI** מיועדים למשתמש המקצועי, ורק אנשים מורשים, שעברו הכשרה מתאימה, רשאים לתפעל, לתחזק ולתקן אותם. אנשים אלה חייבים ללמוד באופן מיוחד את הסכנות האפשריות. המוצר המתואר והעדרים שלו עלולים להיות מסוכנים כאשר אנשים שלא עברו הכשרה מתאימה משתמשים בהם באופן לא מקצועי או כאשר משתמשים בהם שלא בהתאם לייעוד.
- הוראות הפעלה המצורפות נכתבו בהתאם לידיעות הטכנולוגיות במועד השליחה לדפוס. את הגרסה העדכנית ביותר אפשר למצוא תמיד בדף המוצר של Hilti. כדי להגיע לשם, יש לטרוק את קוד ה-QR בהוראות הפעלה האלה, מסומן בסמל .
- אם אתה מעביר את המוצר לאדם אחר, מסור לו גם את הוראות הפעלה האלה.

**1.2 הסבר הסימנים**

**1.2.1 אזהרות**

האזהרות מזהירות מפני סכנות בשימוש במוצר. במדריך זה מופיעות מילות המפתח הבאות:

**סכנה** 

**סכנה!**

מציינת סכנה מיידית, המובילה לפציעות גוף קשות או למוות.

**אזהרה** 

**אזהרה!**

מציינת סכנה אפשרית, שיכולה להוביל לפציעות גוף קשות או למוות.







**זהירות** 

**זהירות!**

מציינת מצב שעלול להיות מסוכן ולהוביל לפציעות גוף או לנזקים לרכוש.

**1.2.2 סמלים בהוראות הפעלה**

הסמלים הבאים מופיעים בהוראות הפעלה אלה:

שים לב להוראות הפעלה	
הנחיות לשימוש ומידע שימושי נוסף	
טיפול נכון בחומרים למיחזור	
אין להשליך לפסולת הביתית מכשירים חשמליים וסוללות	
Hilti סוללת ליתיום-יון	
Hilti מטען	

**1.2.3 סמלים באיורים**

הסמלים הבאים משמשים באיורים:

2	מספרים אלה מפנים לאיור המתאים בתחילת הוראות הפעלה אלה.
3	המספרים באיורים משקפים את רצף הפעולות, והם עשויים להיות שונים מרצף הפעולות המצוינות בטקסט.
11	מספרי הפריטים מופיעים באיור <b>סקירה</b> ותואמים את המספרים במקרא בפרק <b>סקירת המוצר</b> .



סימן זה אמור לעורר את תשומת לבך המיוחדת בעת השימוש במוצר.

### 1.3 סמלים ספציפיים למוצר

#### 1.3.1 סמלים על המוצר

הסמלים הבאים עשויים להופיע על המוצר:

	השתמש במגבי עיניים
	עבוד תמיד בשתי ידיים.
	בעבודות חיתוך אין לעבודה עם מגן הדיסק הרגיל.
$\Pi_0$	מהירות סרק נקובה
/min	סיבובים לדקה
RPM	סיבובים לדקה
	קוטר
	זרם ישר
	המוצר תומך בטכנולוגיית NFC, התואמת את פלטפורמות iOS ו-Android.
Li-Ion	סוללת ליתיום-יון
	לעולם אין להשתמש בסוללה כפטיש.
	אין להפיל את הסוללה. אין להשתמש בסוללה שנחבטה או שניזוקה באופן אחר.

### 1.4 פרטי המוצר

המוצרים של מיועדים למשתמש המקצועי, ורק אנשים מורשים, שעברו הכשרה מתאימה, רשאים לתפעל, לתחזק ולתקן אותם. אנשים אלה חייבים ללמוד באופן מיוחד את הסכנות האפשריות. המוצר המתואר והעדרים שלו עלולים להיות מסוכנים כאשר אנשים שלא עברו הכשרה מתאימה משתמשים בהם באופן לא מקצועי או כאשר משתמשים בהם שלא בהתאם לייעוד. שם הדגם והמספר הסידורי מצוינים על לוחית הדגם.

◀ רשום את המספר הסידורי בטבלה הבאה. בכל פנייה לנציגינו או למעבדת שירות יש לציין את נתוני המוצר.

#### נתוני המוצר

AG 5D-22-125	משחזת דווית
01	דור
	מס' סידורי

### 1.5 הצהרת תאימות

היצרן מצהיר באחריותו הבלעדית כי המוצר המתואר כאן עונה על דרישות החוק התקפות והתקנים התקפים. בסוף תיעוד זה ישנו צילום של הצהרת התאימות.

התיעוד הטכני שמור כאן;

Hilti Entwicklungsgesellschaft mbH | Zulassung Geräte | Hiltistraße 6 | 86916 Kaufering, Germany

## 2 בטיחות

### 2.1 הוראות בטיחות כלליות לכלי עבודה חשמליים

אזהרה קרא את כל הוראות הבטיחות, ההנחיות, האירורים והבתונים הטכניים המצורפים לכלי העבודה החשמלי. אי ציות להנחיות עלול להוביל להתחשמלות, לשרפה ו/או לפציעות קשות.



**שמור את כל הוראות הבטיחות וההנחיות לעיון בעתיד.**

המונח "כלי עבודה חשמלי" המשמש בהוראות הבטיחות מתייחס לכלי עבודה חשמליים המחוברים לרשת החשמל (עם כבל חשמל) או לכלי עבודה חשמליים המופעלים באמצעות סוללה נטענת (ללא כבל חשמל).

**בטיחות במקום העבודה**

- ◀ **שמור על אזור העבודה שלך נקי ודאג לתאורה מספקת.** חוסר סדר או תאורה לקויה במקום העבודה עלולים לגרום לתאונות.
- ◀ **אין להפעיל את כלי העבודה החשמלי בסביבה שקיימת בה סכנת פיצוץ או שיטתם בה נודלים, גזים או אבק דליקים.** הכלי עבודה חשמליים יוצרים ניצוצות, שעלולים להצית את האבק או האדים.
- ◀ **הרחק ילדים ואנשים אחרים מכלי העבודה החשמלי במהלך השימוש בו.** אם דעתך תוסח אתה עלול לאבד את השליטה במכשיר.

**בטיחות בחשמל**

- ◀ **תקע החשמל של כלי העבודה החשמלי חייב להתאים לשקע החשמל.** אסור לשנות בשום אופן את תקע החשמל. אל תשתמש בשקע מתאים בידך עם כלי עבודה חשמליים הכוללים הגנת הארקה. שימוש בתקעים חשמליים שלא עברו שינוי ושקעי חשמל מתאימים מפחית את הסיכון להתחשמלות.
- ◀ **מנע מגע של הגוף בשטחים מוארקים כגון צינורות, גופי חימום, תנורים ומקררים.** קיימת סכנה גבוהה להתחשמלות כאשר הגוף שלך מוארק.
- ◀ **הרחק כלי עבודה חשמליים מגשם או רטיבות.** חדירת מים לכלי העבודה החשמלי מגדילה את הסיכון להתחשמלות.
- ◀ **אל תשתמש בכלי החשמל למטרות שלא לשמן הוא נועד, לדוגמה: אל תרים את כלי העבודה החשמלי באמצעות הכבל ואל תנסה לנתק את התקע משקע החשמל במשיכה מהכבל.** הרחק את הכבל מחום, שמן, פינות חדות או מחלקים נעים. כבלים שבידוקו או שהסתבכו בחלקים אחרים מגדילים את הסיכון להתחשמלות.
- ◀ **כאשר אתה עובד עם כלי העבודה החשמלי בחוץ, השתמש רק בכבל מאריך המיועד לשימוש חיצוני.** שימוש בכבל מאריך המתאים לשימוש חיצוני מפחית את הסיכון להתחשמלות.
- ◀ **אם לא ניתן להימנע משימוש בכלי העבודה החשמלי בסביבה לחה, השתמש בממסר פחת.** השימוש בממסר פחת מפחית את הסיכון להתחשמלות.

**בטיחות של אנשים**

- ◀ **היה ערבי, שים לב למה שאתה עושה, ופעל בתבונה** כאשר אתה עובד עם כלי עבודה חשמלי. אל תפעיל כלי עבודה חשמליים כשאתה עייף או אחת השפעת סמים, אלכוהול או תרופות. די ברגע אחד של חוסר תשומת-לב בדמן השימוש בכלי העבודה החשמלי כדי לגרום פציעות קשות.
- ◀ **לבש תמיד ציוד מגן ומשקפי מגן.** לבישת ציוד מגן אישי, כגון מסכת ציוד מגן אישי, נעלי בטיחות מונעות החלקה, קסדת מגן או מגני שמיעה – בהתאם לסוג השימוש בכלי העבודה החשמלי – מקטינה את הסיכון לפציעות.
- ◀ **מנע הפעלה בשוגג.** ודא שכלי העבודה החשמלי כבוי לפני שאתה מחבר אותו לאספקת החשמל ו/או לפני שאתה מחבר את הסוללה ולפני הרמתו. אל תניח את אצבעך על המתג בדמן שאתה נושא את המכשיר ואל תחבר אותו לאספקת החשמל כאשר הוא מופעל, אחרת עלולות להיגרם תאונות.
- ◀ **הרחק כלי כוונן או מפתחות ברגים לפני שאתה מפעיל את כלי העבודה החשמלי.** כלי עבודה או מפתחות הנמצאים בקרבת חלקים מסתובבים עלולים לגרום פציעות.
- ◀ **הימנע מתנוחות גוף לא נכונות.** עמוד באופן יציב ושמור תמיד על שיווי משקל. כך תוכל לשלוט טוב יותר בכלי העבודה החשמלי במצבים לא צפויים.
- ◀ **לבש בגדים מתאימים.** אל תלבש בגדים רחבים או תכשיטים. הרחק את השער, הבגדים וכפפות מחלקים נעים. בגדים רופפים, תכשיטים ושיער ארוך עלולים להיתפס בחלקים נעים.
- ◀ **כאשר ניתן להתקיין התקני שאיבת אבק ולכידה יש לוודא שהם מחוברים לחשמל, ויש להקפיד להשתמש בהם בצורה נכונה.** שימוש בהתקן שאיבת אבק מקטין את הסכנות הנובעות מהאבק.
- ◀ **אל תהיה שאנן בהנשיא בטיחות ואל תתעלם מהוראות בטיחות של כלי עבודה חשמליים, גם אם שהשתמשת במכשיר פעמים רבות ואתה מכיר אותו היטב.** התנהגות רשלנית עלולה להוביל לפציעות קשות בתוך שניות.

**שימוש וטיפול בכלי העבודה החשמלי**

- ◀ **אל תפעיל עומס רב מדי על המכשיר.** השתמש בכלי העבודה החשמלי המתאים לעבודה שאתה מבצע. כלי העבודה החשמלי המתאים מבטיח לך עבודה טובה ובטוחה יותר בתחום ההספק הנקוב.
- ◀ **אל תשתמש בכלי העבודה אם הפחת שלו אינו תקין.** כלי עבודה חשמלי שלא ניתן עוד להפעיל או לכבות אותו מהווה סכנה ויש לתקבו.
- ◀ **נתק את תקע החשמל מהשקע ו/או סר את הסוללה לפני שאתה מבצע כווננים במכשיר, מחליף כלים או לאחר שאתה מפסיק לעבוד עם המכשיר.** אמצעי זהירות זה מונע הפעלה בשוגג של כלי העבודה החשמלי.
- ◀ **שמור כלי עבודה חשמליים שאינם בשימוש הרחק מהישג ידם של ילדים.** אל תאפשר לאנשים שאינם יודעים כיצד להשתמש במכשיר או שלא קראו את ההוראות להשתמש במכשיר. כלי עבודה חשמליים הם מסוכנים כאשר משתמשים בהם אנשים חסרי ניסיון.
- ◀ **טפל בכלי עבודה חשמליים ובאביזרים בהקפדה.** בדוק אם החלקים הנעים פועלים בצורה חלקה ואינם נתקעים, אם ישנם חלקים שבורים או מקולקלים המשבשים את הפעולה התקינה של כלי העבודה החשמלי. לפני השימוש במכשיר דאג לתיקון חלקים לא תקינים. תאונות רבות נגרמו עקב תחזוקה לקויה של כלי עבודה חשמליים.
- ◀ **שמור על כלי החיתוך חדים ונקיים.** כלי חיתוך מטופלים היטב, שלהביהם חדים נתקעים פחות וקלים יותר לתפעול.



- ▶ השתמש בכלי העבודה החשמלי, באביזרים, בכלי העבודה הנוספים וכן הלאה בהתאם להוראות אלה. התחשב בתנאי העבודה ובפעולה שעליך לבצע. שימוש בכלי העבודה החשמלי למטרות אחרות מאלה שלשמן הוא מיועד עלול להיות מסוכן.
- ▶ שמור על ידיות ואזורי אחיזה נקיים מכלוך משומן ומגריז. ידיות ואזורי אחיזה חלקים אינם מאפשרים תפעול בטוח ושליטה טובה בכלי העבודה החשמלי במצבים לא צפויים.
- ▶ שימוש וטיפול בכלי עבודה בטענים
  - ▶ טען את הסוללות רק במטענים שהומלצו על ידי היצרן. טעינה של סוללה במטען המיועד לטעינה של סוללות מסוג אחר עלולה לגרום לשרפה.
  - ▶ השתמש לשם כך רק בסוללות המתאימות לכלי העבודה החשמלי. שימוש בסוללות אחרות עלול לגרום לשרפות.
  - ▶ שמור סוללות שאינן בשימוש הרחק ממהדי נייר משרדיים, ממטבעות, מפתחות, מסמרים, ברגים או חפצים מתכתיים קטנים אחרים שיכולים לגשר בין המגעים. קצר בין מגעי הסוללה עלול לגרום לכוויות או לשרפה.
  - ▶ שימוש שגוי עלול לגרום לדליפת נוזלים מהסוללה. אל תיגע בנוזלים אלה. אם נגעת בהם במקרה, שטוף את האזור במים. אם הנוזל נוגע בעיניים, פנה לרופא. נדל סוללות שדלף עלול לגרום לגירויים בעור ולכוויות.
  - ▶ אין להשתמש בסוללה ששונתה או שניזוקה. סוללות שניזוקו או שנערכו בהן שינויים עשויות להגיב בצורה לא צפויה ולגרום לשרפה, לפיצוץ ולפציעות.
  - ▶ אין לחשוף סוללות לאש או לטמפרטורות גבוהות. אש או טמפרטורות גבוהות מ-130°C (265°F) עלולות לגרום לפיצוץ.
  - ▶ ציית לכל הנחיות הנוגעות לטעינה, ואף פעם אל טען את הסוללה או את הכלי עם הסוללה בסביבה שהטמפרטורה בה נמצאת מחוץ לטווח המצוין בהוראות ההפעלה. טעינה שגויה או טעינה בטמפרטורה שנמצאת מחוץ לטווח המצוין בהוראות ההפעלה עלולה להרוס את הסוללה ולהגביר את הסיכון לשרפה.

#### שירות

- ▶ דאג לתיקון כלי העבודה החשמלי שלך רק בידי טכנאים מוסמכים, המשתמשים בחלקי חילוף מקוריים בלבד. כך תבטיח שמירה על בטיחות העבודה במכשיר.
- ▶ אל תטפל בעצמך בסוללות שניזוקו. רק היצרן או מעבדה מורשית מטעמו רשאים לטפל בסוללות.

## 2.2 הנחיות בטיחות לכל העבודות

**הנחיות בטיחות משותפות לעבודות ליטוש, ליטוש עם נייר ליטוש, עבודה עם מברשות ברזל וחייתוך:**

- ▶ לכל עבודה חשמלית מיועד לשימוש משחזת, מלטשת נייר ליטוש, מברשת ברזל, מסור כוס ומסור דיסק. שים לב כלי הנחיות הבטיחות, ההוראות, האזורים והנתונים שקיבלת עם המכשיר. אם תתעלם מההנחיות הבאות, התוצאה עלולה להיות התחשמלות ו/או פציעות קשות.
- ▶ אסור להשתמש בכלי עבודה חשמלי זה להברקה. שימוש במכשיר שלא למטרה שלשמה הוא יועד מהווה סכנה ועלול לגרום לפציעות.
- ▶ אל תשנה את כלי העבודה החשמלי הזה כך שהוא יתפקד באופן שונה מכפי שנקבע במפורש על ידי יצרן כלי העבודה. שינוי מעין זה עלול להוביל אובדן השליטה בכלי ולפציעות קשות.
- ▶ אין להשתמש באביזרים שלא פותחו ואושרו על ידי היצרן במיוחד לשימוש בכלי עבודה חשמלי זה. העבודה שאפשר לחבר את האביזר לכלי העבודה החשמלי אינה מבטיחה שהשימוש בו יהיה בטוח.
- ▶ מהירות מוגברת, בדוק מברשות ברזל לאיתור חוטי חייבת להיות גבוהה לפחות גבוהה מהירות המרבית המצוינת על כלי העבודה החשמלי. כלי מחובר שמסווג מהר מהמותר עלול להישר ולהירק בחלל.
- ▶ הקוטר החיצוני והעובי של הכלי המחובר חייבים להתאים לנתונים הדרושים לכלי העבודה שלך. אביזרים במידות לא מתאימות עלולים להיות לא מוגנים מספיק או לעבוד ללא שליטה.
- ▶ כלים בעלי חיבור עם תברג חייבים להתאים בדיקת לתברג שבציר המשחזת. בכלים הדורשים התקנה באמצעות אוגן, חייב קוטר הקדח של הכלי להתאים לקוטר הכניסה של האוגן. כלים שאינם מחוברים בצורה מדויקת לכלי העבודה החשמלי יסתובבו בצורה לא חלקה, יעדיפו חזק מאוד ועלולים לגרום לאבדן שליטה על כלי העבודה.
- ▶ אין להשתמש בכלים פגומים. לפני כל שימוש באביזר כגון דיסק השחזה בצע בדיקה לאיתור שברים וסדקים, שחיקה או בלאי מוגבר, בדוק מברשות ברזל לאיתור חוטי ברזל משוחררים או שבורים. אם כלי העבודה או האביזר נופלים, בדוק אם הם ניזוקו או השתמש במקום זאת באביזר שלא ניזוק. לאחר שבדקת את הכלי וחיברת אותו, הרחק עצמך ואנשים הנמצאים בקרבת הקום אל מחוץ למישור התנועה של הכלי המסתובב, ואפשר למכשיר לעבוד קה שלמה במהירות מרבית. אביזרים פגומים יישברו בדרך כלל במשך דקת הבדיקה.
- ▶ לבש ציוד מגן אישי. השתמש – בהתאם לסוג העבודה – במשקפי מגן או במגן פנים מלא. לבש מסכת אבק, מגני שמיעה, כפפות מגן או סינר מיוחד שיגן עליך מפני חלקיקי חומר – בהתאם לצורך. יש להגן על העיניים מפני גופים זרים שעפים בחלל, כפי שעלול להתרחש בעבודות מסוימות. מסכת אבק ומסכת הנשימה צריכות לסנן אבק שנוצר במהלך השימוש. חשיפה ממושכת לרעש חזק עלולה לפגוע בשמיעה.
- ▶ ודא שאנשים אחרים עומדים במרחק בטוח מאזור העבודה. כל מי שנכנס לאזור העבודה חייב ללבוש ציוד מגן אישי. חלקים הנשברים מהחומר שבעבודה או שברים מהאביזר עלולים להתעופף בחלל ולגרום לפציעות גם מחוץ לאזור העבודה המידי.
- ▶ כאשר מבעעים עבודות שבהן הכלי עלול לפגוע בקווי חשמלי מוסתרים יש לאחזך בכלי העבודה החשמלי רק במקומות האחיזה המבודדים. מגע בקווים המוליכים זרם עלול להעביר זרם גם לחלקים מתכתיים במכשיר שלך ולגרום להתחשמלות.
- ▶ לעולם אין להניח את כלי העבודה החשמלי לפני שהכלי המחובר נעצר. כלי מסתובב עשוי להיתקל במשטח שעליו הוא מונח, ובעקבות זאת כלי העבודה החשמלי עלול לנוע ללא שליטה.



- ◀ **אל תאפשר לכלי העבודה החשמלי לפעול אם אינך מחזיק אותו.** הבגדים שלך עלולים להיפתס בכלי המסתובב, ובעקבות זאת הכלי עלול לחתוך בגופך.
- ◀ **קנה באופן סדיר את חריצי האווזור של כלי העבודה החשמלי שלך.** מפוח המנוע מושך אבק לגוף המכשיר, והצטברות כמות גדולה של אבק מתכתי מהווה סכנה חשמלית.
- ◀ **אין להשתמש בכלי העבודה החשמלי בקרבת חומרים דליקים.** ניצוצות עלולים להצית אותם.
- ◀ **אין להשתמש באביזרים הדורשים חומרי קירור נוזליים.** שימוש במים או בחומרי קירור נוזליים אחרים עלול לגרום להתחשמלות.

**רתע והנחיות בטיחות מתאימות**

רתע הוא תגובה פתאומית עקב היתקעות או חסימה של כלי מסתובב, כגון דיסק השחזה, דיסק ליטוש, מברשת ברזל וכן הלאה. היתקעות או חסימה מובילים לעצירה פתאומית של הכלי המסתובב. עקב כך יאיץ כלי העבודה החשמלי, אם אינו נמצא בשליטה, לכיוון המנוגד של הכלי שנחסם.

כאשר לדוגמה דיסק השחזה נתקע או נחסם בחומר שבעבודה, הקצה של הדיסק שנכנס לחומר עשוי להילכד שם וכך לגרום לפריצת הדיסק או לרתע. הדיסק ינוע כעת לכיוון המפעיל או הרחק ממנו – בהתאם לכיוון הסיבוב של הדיסק במקום החסימה. הדיסק עלול גם להישר במצב זה.

רתע נוצר כתוצאה משימוש שגוי בכלי העבודה החשמלי. ניתן למנוע אותו בעזרת אמצעי הזהירות המוסברים להלן.

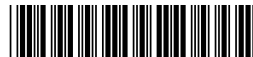
- ◀ **החזק את כלי העבודה החשמלי בשתי ידיים** והבא גופך **זרועוטיך לתנוחה שבה יוכלו לספוג את כוחות הרתע.** השתמש תמיד בבית האחיזה **הנוסף**, **כדי שתהיה לך שליטה גדולה ככל האפשר על כוחות הרתע או מומנטי התגובה בעת האצת המכשיר.** המשתמש יכול לשלוט בכוחות הרתע והתגובה אם ינקוט אמצעי זהירות מתאימים.
- ◀ **לעולם אל תקרב את ירך לכלי מסתובב.** הכלי עלול לנוע מעל היד שלך במקרה של רתע.
- ◀ **דאג שגופך לא יימצא בתחום שלכיוונו כלי העבודה החשמלי ינוע במקרה של רתע.** הרתע מושך את כלי העבודה החשמלי לכיוון המנוגד לכיוון התנועה של הדיסק במקום החסימה.
- ◀ **היה זהיר במיוחד בעבודה בפניות, על קצוות חדים וכן הלאה.** מנע מצב שבו הכלי נהדף מהחומר בעבודה או נתקע בו. בפניות, בקצוות חדים או כאשר הכלי נהדף הוא נוטה להיתקע. זה גורם לאבדן שליטה או לרתע.
- ◀ **אל תשתמש בשרשראות או בדיסק יסור משונן וכן בדיסק יהלום מחורץ בעל חריצים ברוחב גדול מ-10 מ"מ.** כלים כאלה גורמים לעתים קרובות לרתע או לאבדן השליטה בכלי העבודה החשמלי.

**הנחיות בטיחות מיוחדות להשחזה וחינוך:**

- ◀ **השתמש אך ורק בכלי השחזה שאושר לעבודה עם כלי העבודה החשמלי שלך וכן במגן דיסק המתאים לכלי ההשחזה.** המגן אינו יכול להגן היטב מפני כלי השחזה שאינם מיועדים לכלי העבודה החשמלי שלך, ולפיכך הם אינם בטוחים.
- ◀ **דיסקי השחזה קמורים צריכים להיות מותקנים באופן כזה שהשטח המשיח שלהם לא יימצא מעל לגובה קצה מגן הדיסק.** דיסקי השחזה שהותקן בצורה לא נכונה ובולט מעבר לגובה קצה מגן הדיסק לא יהיה מוגן די הצורך.
- ◀ **המגן צריך להיות מחובר בצורה בטוחה לכלי העבודה החשמלי, וכדי להבטיח רמת בטיחות מרבית עליו להיות מכוונו באופן שיוותר שטח כלי גלוי כמה שיותר קטן בכיוון המשתמש.** מגן הדיסק עוזר להגן על המשתמש מפני שברים, מגע בשוגג בכלי ההשחזה וכן מפני ניצוצות שעלולים להצית את הבגדים.
- ◀ **מותר להשתמש בגופי הליטוש והשחמה רק לשימושים שלשמה הם אושרו.** לדוגמה: לעולם אין להשחיד באמצעות פני השטח הצדדים של דיסק חיתוך. דיסקי חיתוך מיועדים להסרת חומר בעזרת קצה הדיסק. הפעלת כוח צדי עלולה לשבור את כלי ההשחזה.
- ◀ **השתמש תמיד באוגן הידוק שאינו פגום, בגודל המתאים ובצורה המתאימה לדיסק ההשחזה שבחרת.** אוגנים מתאימים תומכים בדיסק ההשחזה ומפחיתים את הסכנה ובלוט לשבירת הדיסק. אוגנים לדיסקי חיתוך עשויים להיות שונים מאוגנים של דיסקים אחרים.
- ◀ **אין להשתמש בדיסקי השחזה שחוקים של כלי עבודה חשמליים גדולים יותר.** דיסקים של כלי עבודה חשמליים גדולים יותר אינם מיועדים למהירות סיבוב גבוהות של כלי עבודה חשמליים קטנים יותר ועלולים להישר.
- ◀ **השתמש תמיד במגן הדיסק המתאים לעבודה הספציפית כאשר אתה משתמש בגופי ליטוש והשחזה דו-צדדיים.** שימוש במגן דיסק שגוי לא יספק הגנה מספיקה, מה שעלול להוביל לפציעות קשות.

**הנחיות בטיחות נוספות מיוחדות לחיתוך:**

- ◀ **מנע חסימה של דיסק החיתוך ואל תפעיל כוח לחיצה רב.** אל תבצע חתכים עמוקים מדי. עומס יתר על דיסק החיתוך מגביר את הסיכון להיתקעות או לחסימה וכך את הסיכון לרתע או לשבירת כלי ההשחזה.
- ◀ **אל תתקרב לאזור שלפני ומאחורי הדיסק המסתובב.** במקרה של רתע כאשר דיסק החיתוך מסתובב בחלק שבעבודה, כלי העבודה החשמלי עלול להיזרק במהירות לכיוונון ביחד עם הדיסק.
- ◀ **אם דיסק החיתוך נתקע או אם אתה מפסיק לעבוד, כבה את המכשיר והחזק אותו יציב עד שהדיסק נעצר לגמרי.** לעולם אל תנסה למשוך את דיסק החיתוך מהחריץ בזמן שהוא עדיין מסתובב, אחרת עלול להתרחש רתע. ברר מה היא הסיבה להיתקעות וטפל בה.
- ◀ **אל תפעיל מחדש את כלי העבודה החשמלי כל עוד הוא נמצא בתוך החלק שבעבודה.** אפשר לדיסק החיתוך להגיע למהירות הסיבוב המרבית לפני שתמשיך בהזירות בחיתוך. אחר עלול הדיסק להיתקע, להיזרק אל מחוץ לחלק או לגרום לרתע.
- ◀ **לוחות או חלקים גדול יש לתמוך כדי להפחית את הסיכון לרתע עקב היתקעות דיסק החיתוך.** חלקים גדולים עשויים להתכופף תחת משקלם. יש לתמוך את החלק משני הצדדים של הדיסק, גם בקרבת מקום החיתוך וגם בקצה החלק.
- ◀ **היה זהיר במיוחד בחיתוך "כיסים" בקירות קיימים או בחלקים דומים.** כאשר הדיסק חודר ופוגע בצנרת גד, מים או חשמל או בעצמים אחרים הוא עלול לגרום לרתע.





- ◀ **אל תנסה לחתוך חיתוך מעוגלים** עומס יתר על דיסק החיתוך מגביר את הסיכוי להיתקעות או לחסימה ובכך את הסיכון לרתע או לשבירת כלי ההשחזה, מה שעלול להוביל לפציעות קשות.
- הנחיות בטיחות מיוחדות לליטוש באמצעות נייר ליטוש:**
- ◀ **השתמש רק בניירות לטש בגודל מתאים.** ציית להוראות היצרן בנוגע לגודל ניירות הלטש. ניירות לטש הבולטים מדי מעבר לדיסק עלולים לגרום לפציעות וכן לחסימה ולקריעה של נייר הלטש וכן לרתע.
- הנחיות בטיחות מיוחדות לעבודה עם מברשות ברזל:**
- ◀ **שים לב כי מברשות הברזל מאבדות סיבי תיל גם במהלך שימוש רגיל.** אין להפעיל עומס מופרז על סיבי התיל. סיבי תיל מתעופפים יכולים לחדור בקלות את הבגדים ולתוך העור.
- ◀ **כאשר יש חובה להתקיין מגן דיסק, יש למנוע מגע בין מגן הדיסק לסיבי התיל של המברשת.** הקוטר של דיסקים שטוחים וקמורים עשוי לגדול בעקבות הפעלת לחץ והכוח הצנטריפוגלי.

### 2.3 הוראות בטיחות נוספות

#### בטיחות של אנשים

- ◀ השתמש במוצר ובאביזרים רק בתנאי שהם נמצאים במצב טכני מושלם.
- ◀ אל תבצע בשום אופן שינויים או מניפולציות במוצר או באביזרים.
- ◀ השתמש במגני שמיעה. רעש חזק עלול לפגוע בשמיעה.
- ◀ אחזק את המוצר היטב תמיד בשתי ידיים האחיזה שלו. שמור על ידיות האחיזה יבשות, ונקיות מלכלוך שמן או גריז.
- ◀ כאשר מפעילים את המוצר ללא שאיבת אבק, יש ללבוש מסיכת נשימה קלה בעבודות היוצרות אבק.
- ◀ ערוך הפסקות תכופות ותרגילים לשיפור זרימת הדם לאצבעות. בעבודה ממושכת הרעידות החזקות מהמכשיר עשויות לגרום להפרעות בכלי הדם או במערכת העצבים של האצבעות, כפות הידיים או שורשי כף היד.
- ◀ אין לגעת בחלקים מסתובבים. הפעל את המוצר רק כשאתה נמצא באזור העבודה. נגיעה בחלקים מסתובבים, ובעיקר בכלים מסתובבים, עלולה לגרום לפציעות.
- ◀ המתן עד לעצירה מלאה של המוצר לפני שאתה מניח אותו.
- ◀ שמור על חריצי האוורור פנויים תמיד. סכנת כוויה כשחריצי האוורור מכוסים!
- ◀ המוצר אינו מיועד לאנשים חלשים ללא הכשרה מתאימה. הרחק את המוצר משיג ידם של ילדים.
- ◀ אבק שנוצר במהלך ליטוש, השחזה, חיתוך או קידוח עלול להכיל כימיקלים מסוכנים. להלן כמה דוגמאות: עופרת או צבעים על בסיס עופרת; לבנים, בטון וחומרי קיר אחרים, אבן טבעית ומוצרים אחרים המכילים סיליקט; עצים מסוימים, כגון אלון, בוק ועץ שעבר טיפול כימי; אסבסט או חומרים המכילים אסבסט. יש ללמוד את חשיפת המשתמש והאנשים בסביבה על פי דירוג הסכנה של החומרים שבהם עובדים. נקט את האמצעים הדרושים כדי לשמור את החשיפה ברמה בטוחה, לדוגמה שימוש במערכות שאיבת אבק או לבישת מסיכת נשימה מתאימה. להלן רשימה של אמצעים כלליים להפחתת החשיפה:
- ◀ עבודה באזור מאוורר היטב.
- ◀ הימנעות ממגע ממושך עם האבק.
- ◀ סילוק האבק מהפנים והגוף.
- ◀ לבישת ביגוד מגן ושטיפת אזורים חשופים במים וסבון.
- ◀ במהלך השימוש במוצר המשתמש ואנשים הנמצאים בקרבת מקום חייבים ללבוש משקפי מגן, קסדת עבודה ומגני שמיעה.
- ◀ לבש נעלי בטיחות בעת החלפת כלי. מגע בכלי עלול לגרום לפציעות ולכוויות.
- ◀ סכנת פציעה מכלי עבודה ו/או אביזרים נופלים. לפני תחילת העבודה בדוק שהסוללה והאביזר המותקן מחוברים היטב.
- ◀ אם מתרחשת חריגה מאבולת הפעולה של המוצר או מהסוללה ריקה, ייתכן שהמכשיר לא ייבלם בכוח המנוע.
- ◀ אין לחבר את תפס החגורה למוצר זה.

#### טיפול ושימוש קפדניים בכלי עבודה חשמליים

- ◀ יש לשמור דיסקי השחזה ולטפל בהם בהקפדה בהתאם להנחיות היצרן.
- ◀ לעולם אין להשתמש בכלי העבודה ללא מגן דיסק.
- ◀ הדק את החלק שבעבודה. השתמש בהתקני הידוק או במלחציים כדי לייצב את החלק שבעבודה. כך החלק מיוצב טוב הרבה יותר מאשר כשאתה מחזיק אותו בידך, ובנוסף לכך שתי ידיך נותרות פנויות לתפעול המוצר.
- ◀ אין להשתמש בדיסקי חיתוך לצורך השחזה.
- ◀ הדק את הכלי ואת האוגן. אם הכלי והאוגן לא הודקו כראוי, ייתכן כי לאחר כיבוי המכשיר יתנתק הכלי מהציר עקב בלימת המנוע.

#### בטיחות בחשמל

- ◀ לפני תחילת העבודה בדוק אם ישנם כבלי חשמל, צינורות גז או מים נסתרים. חלקים מתכתיים חיצוניים על המכשיר עלולים לגרום התחשמלות או פיצוץ כאשר פוגעים בכבל חשמל, בצינור גז או מים.
- ◀ מוצרים שהתלכדו עקב עבודה תכופה בחומרים מוליכים יש להביא למעבדות של Hilti לבדיקה באופן סדיר. אבק שנדבק לפני השטח של המכשיר, ובמיוחד אבק מחומרים מוליכים או לחות עלולים לגרום להתחשמלות.

#### מקום העבודה

- ◀ בעבודות פריצה יש לאבטח את האזור בצד הנגדי של מקום העבודה שלך. חומרים מעבודות הפריצה עשויים ליפול ולפצוע אנשים אחרים.
- ◀ חיתוך חריצים בקירות תומכים או ברכיבים מבניים אחרים עשוי להשפיע על חוזק המבנה, במיוחד בחיתוך של ברזל זיון או קורות נושאות. לפני תחילת העבודה יש להתייעץ באדריכל, במנהל אתר הבנייה או בגורם אחראי אחר.



## הוראות נוספות לשימוש במגן דיסק

- ◀ כדי למנוע את הנזקים הבאים, יש להשתמש תמיד במגן הדיסק המתאים, ראה פרק: "התאמת הדיסקים לציוד שבשימוש".
- ◀ כאשר משתמשים במגן דיסק סטנדרטי עם כיסוי קדמי להשחזה שטוחה, מגן הדיסק עלול לגעת בחלק המעובד וכך לגרום לאובדן שליטה.
- ◀ כאשר משתמשים במברשת ברזל עבה יותר מהעובי המרבי המותר, חוטי הברזל עלולים להילכד במגן הדיסק ולהישבר.
- ◀ כאשר משתמשים במגן דיסק סטנדרטי לעבודות חיתוך של מתכת עם דיסקי חיתוך-השחזה, קיים סיכון מוגבר להיווצרות ניצוצות וחלקיקים, ואם הדיסק נשבר עלולים להתעופף בחלל שבדיסק.
- ◀ כאשר משתמשים במגן דיסק סטנדרטי עם או ללא כיסוי קדמי בעבודות חיתוך והשחזה של בטון או קירות, נוצר עומס אבק גבוה וסיכון מוגבר לאובדן השליטה במצור, מה שיוביל לתע.

## 2.4 טיפול ושימוש קפדניים בסוללות נטענות

- ◀ **שים לב להוראות הבטיחות הבאות בנושא טיפול בטוח ושימוש בטוח בסוללות ליתיום-יון.** אי הקפדה עשויה להוביל לגירויים בעור, פציעות צריבה קשות, כוויות כימיות, לדליקה ו/או לפיצוץ.
- ◀ השתמש רק בסוללות שנמצאות במצב טכני מושלם.
- ◀ טפל בסוללות בהקפדה כדי למונע נזקים ולמנוע דליפה של נוזלים מסוכנים לבריאות!
- ◀ בשום אופן אסור להכניס שינויים כלשהם בסוללות!
- ◀ אין לפרק, למעוך, לחמם לטמפרטורה גבוהה מ-80°C (176°F) או לשרוף את הסוללות הנטענות.
- ◀ אל תשתמש או תטען סוללות שקיבלו מכה או זיזוקן בדרך אחרת. בדוק את הסוללות שלך באופן סדיר כדי לזהות סימני נזק.
- ◀ בשום אופן אין להשתמש בסוללות ממוחזרות או מתוקנות.
- ◀ לעולם אין להשתמש בסוללה או בכלי עבודה חשמלי המופעל בסוללה כפטיש.
- ◀ לעולם אין לחשוף את הסוללה לקרינת שמש ישירה, לטמפרטורה גבוהה, לניצוצות או ללהבה גלויה. זה עלול להוביל לפיצוץ.
- ◀ אל תיגע בקוטבי הסוללה באצבעותיך, באמצעות כלי עבודה, תכשיטים או באמצעות עצמים מוליכי חשמל אחרים. זה עלול לפגוע בסוללה כמו גם לגרום נזקי רכוש ופציעות.
- ◀ הרחק סוללות מרטיבות ונוזלים. חדירת לחות עלולה לגרום קצר, התחשמלות, כוויות, דליקה ופיצוץ.
- ◀ השתמש רק במטענים ובכלי עבודה חשמליים המיועדים לסוג סוללה זה. שים לב בנושא זה לדרישות המופיעות בהוראות ההפעלה המתאימות.
- ◀ אין להשתמש בסוללה בסביבה נפיצה או לאחסן אותה בסביבה נפיצה.
- ◀ אם הסוללה חמה כל כך שלא ניתן לגעת בה, ייתכן שהיא אינה תקינה. הנח את הסוללה במקום לא דליק, גלוי, רחוק מספיק מחומרים דליקים. אפשר לסוללה להתקרר. אם כעבור שעה הסוללה עדיין חמה מדי לנגיעה, אד היא פגומה. פנה לשירות של Hilti או קרא את המסמך "הנחיות בנושא בטיחות ושימוש בסוללות ליתיום-יון של Hilti".

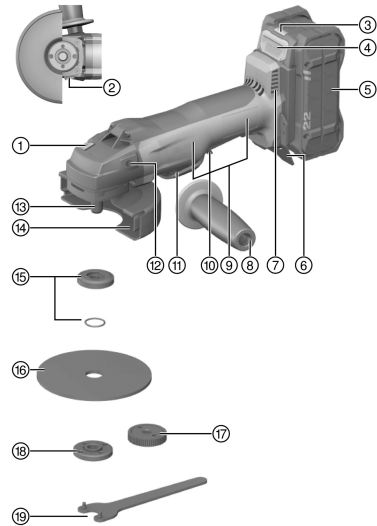
שים לב לתקנות המיוחדות החלות על הובלה, אחסון ושימוש בסוללות ליתיום-יון. ← עמוד 35

קרא את הנחיות בנושא בטיחות ושימוש בסוללות ליתיום-יון של Hilti; אפשר להגיע אליהן דרך קוד ה-QR שבסוף הוראות אלה.



**3.1 סקירת המוצר**

- ① לחצן שחרור מגן הדיסק
- ② לחצן נעילת ציר
- ③ תצוגת מצב סוללה
- ④ לחצן שחרור סוללה
- ⑤ סוללה
- ⑥ מגן ניצוצות
- ⑦ חריצי אוורור
- ⑧ ידית אחיזה צדית משככת רעידות
- ⑨ אזור אחיזה
- ⑩ לחצן חסימת הפעלה
- ⑪ מתג הפעלה/כיבוי
- ⑫ תברג פנימי עבור ידית אחיזה
- ⑬ ציר
- ⑭ מגן דיסק רגיל עם כיסוי קדמי
- ⑮ אוגן נגדי עם טבעת O
- ⑯ דיסק חיתוך / דיסק השחזה
- ⑰ אום הידוק מהיר **Kwik lock** (אופציונלית)
- ⑱ אום הידוק
- ⑲ מפתח


**3.2 שימוש בהתאם לייעוד**

המוצר המתואר הוא משחזת זווית ידנית המופעלת באמצעות סוללה נטענת. היא מיועדת לעבודות חיתוך והשחזה של חומרים מתכתיים ומינרליים, להברשה, לליטוש באמצעות נייר ליטוש וכן לקידוח באריחים – ללא שימוש במים.

כאשר משתמשים במשחזת הזווית לחיתוך, חירוף והשחזה של חומרים מינרליים חובה להשתמש במגן דיסק מתאים. כאשר עובדים בחומרים מינרליים כגון בטון או אבן מומלץ להשתמש במגן שאיבה המתואם לשואב אבק של **Hilti**.

- השתמש עבור מוצר זה רק בסוללות ליתיום-יון של **Hilti Nuron** מסדרת הדגמים B 22. כדי להשיג ביצועים אופטימליים, **Hilti** ממליצה להשתמש עבור מוצר זה בסוללות המצוינות בסוף הוראות ההפעלה האלה.
- השתמש עבור סוללות נטענות אלה רק במטענים של **Hilti** מסדרות הדגמים המצוינות בטבלה בסוף הוראות הפעלה אלה.

**3.3 מפרט אספקה**

משחזת זווית, ידית אחיזה צדית, מגן דיסק סטנדרטי, כיסוי קדמי, אוגן נגדי, אום הידוק, מפתח, הוראות הפעלה. מוצרים נוספים המאושרים עבור המוצר שלך תמצא ב-**Hilti Store** או בכתובת: [www.hilti.group](http://www.hilti.group)

**3.4 פונקציית הגנה על המנוע**

פונקציית ההגנה על המנוע מנטרת את צריכת החשמל כמו גם את התחממות המנוע ומגנה על המוצר מפני התחממות יתר. כאשר ישנו עומס יתר על המנוע עקב הפעלת כוח לחיצה חזק מדי, הספק המוצר יפחת משמעותית וייתכן אפילו שהוא ייעצר לגמרי.

אם עקב עומס יתר המוצר נעצר או שמהירות הסיבוב שלו פוחתת, יש להפחית את העומס על המוצר ולהמשיך להפעיל אותו במצב סרק במשך כ-30 שניות.

**3.5 בלם מובנה**

הבלם המובנה מפחית את זמן דעיכת מהירות הסיבוב של הכלי עד לעצירה.

פונקציה זו זמינה רק כל עוד ישנה אספקת חשמל למוצר. זמן הבלמה משתנה בהתאם לאביזר שנבחר.



### 3.6 כיסוי קדמי 2

ליישומים תחתונים יש להשתמש בכיסוי הקדמי עם מגן הדיסק הרגיל.

- עבודות השחזה עם דיסקי השחזה ישרים
- עבודות חיתוך עם דיסקי חיתוך

### 3.7 מגן שאיבת אבק (חיתוך) DC-EX 125/5" C (אביזר) 3

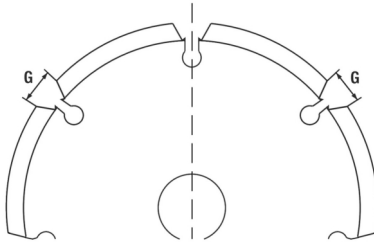
בעבודות חיתוך של חומרים מינרליים באמצעות דיסקי יהלום יש להשתמש במגן הדיסק הקומפקטי DC-EX 125/5" C. **זהירות** אסור לעבד מתכת עם מגן דיסק זה.

### 3.8 מגן שאיבת אבק (השחזה) DG-EX 125/5" (אביזר) 4

מערכת ההשחזה מיועדת לליטוש מזדמן של חומרים מינרליים באמצעות דיסקי יהלום קעורים. **זהירות** אסור לעבד מתכת עם מגן דיסק זה.

### 3.9 גאומטריה של דיסקי חירוץ יהלום מתאימים

דיסקי חירוץ יהלום צריכים לעמוד בדרישות הגאומטריות הבאות.



נתונים טכניים	
רוחב חריצים בין הסגמנטים (ז)	$\geq 10$ מ"מ
זווית חיתוך	שלילית

### 3.10 תצוגות סלולת הליתיום-יון

סוללות ליתיום-יון של Hilti Nuron יכולות להציג את רמת הטעינה, הודעות שאיאה ואת מצב הסוללה.

### 3.10.1 תצוגות של רמת הטעינה והודעות שאיאה



**סכנת פציעה עקב סוללה שנפלה!**

⚠ לאחר לחיצה על לחצן שחרור הנעילה בסוללה מחוברת, יש לוודא שהסוללה ננעלת בחזרה במקום.

כדי לראות אחת מהתצוגות האלה, לחץ קצרות על לחצן שחרור הסוללה. רמת הטעינה כמו גם תקלות אפשריות יוצגו ברציפות כל עוד המוצר המחובר מופעל.

מצב	משמעות
ארבע (4) נוריות מאירות ברציפות בירוק	רמת טעינה: 100% עד 71%
שלוש (3) נוריות מאירות ברציפות בירוק	רמת טעינה: 70% עד 51%
שתי (2) נוריות מאירות ברציפות בירוק	רמת טעינה: 50% עד 26%
נורית אחת (1) מאירה ברציפות בירוק	רמת טעינה: 25% עד 10%
נורית אחת (1) מהבהבת לאט בירוק	רמת טעינה: $> 10\%$
נורית אחת (1) מהבהבת מהר בירוק	סוללת הליתיום-יון ריקה לגמרי. טען את הסוללה. אם הנורית ממשיכה להבהב גם לאחר טעינה סוללות, פנה לשירות של Hilti.
נורית אחת (1) מהבהבת מהר בצהוב	סוללת הליתיום-יון או המוצר המחובר אליה חמים מדי, קרים מדי, תחת עומס-יתר או ישנה תקלה אחרת. הבא את המוצר והסוללה לטמפרטורת העבודה המומלצת, ואל תפעיל עומס מופרד על המוצר במהלך השימוש. אם ההודעה עדיין קיימת, פנה לשירות של Hilti.
נורית אחת (1) מאירה בצהוב.	סוללת הליתיום-יון והמוצר המחובר אליה אינם תואמים. אנא פנה למעבדת שירות של Hilti.



מצב	משמעות
נורית אחת (1) מהבהבת במהירות באדום	סוללת הליתיום-יון חוסמה, ואי אפשר להמשיך ולהשתמש בה. אנא פנה למעבדת שירות של Hilti.

### 3.10.2 תצוגות של מצב הסוללה

כדי לבדוק את מצב הסוללה, החזק את לחצן השחרור לחוץ במשך יותר משלוש שניות רצופות. המערכת אינה מזדה תקלה פוטנציאלית בתפקוד הסוללה עקב שימוש לא נכון, לדוגמה נפילה, חתכים או דקקי חום חיצוניים וכן הלאה.

מצב	משמעות
כל הנוריות מאירות כאור רץ, ולאחר מכן נורית אחת (1) מאירה ברציפות בירוק.	אפשר להמשיך ולהשתמש בסוללה.
כל הנוריות מאירות כאור רץ, ולאחר מכן נורית אחת (1) מהבהבת מהר בצהוב.	אי אפשר היה להשלים את ביורו מצב הסוללה. חזור על התהליך או פנה לשירות של Hilti.
כל הנוריות מאירות כאור רץ, ולאחר מכן נורית אחת (1) מאירה ברציפות באדום.	אם עדיין אפשר להמשיך להשתמש במוצר המחובר, קיבלת הסוללה הנתורת נמוכה מ-50%. אם אי אפשר עוד להמשיך להשתמש במוצר המחובר, אד הסוללה נמצאת בסוף חיי השירות שלה ויש להחליף אותה. אנא פנה למעבדת שירות של Hilti.

### 4 חומרים מתכלים

מותר להשתמש רק בדיסקי פיבר מחוזקים עם חומר מלכד שרף סינתטי 125 מ"מ (5"), שאושרו לעבודות במהירות סיבוב של לפחות 11000 סל"ד ובמהירות היקף של 80 מ"שני.

**שים לב!** לצורך חיתוך וחירוץ באמצעות דיסקי חיתוך יש להשתמש תמיד במגן דיסק טטנדרטי עם כיסוי קדמי נוסף או במגן שאיבת אבק שלם סגור.

#### דיסקים

דגם	שימוש	קוד	חומר לעיבוד	עובי מקס'	קוטר מקס'
דיסק השחזה-חיתוך	חיתוך, חירוף	AC-D	מתכתי	2.5 מ"מ	125 מ"מ
דיסק חיתוך יהלום	חיתוך, חירוף	DC-TP, DC-D (SPX, SP, P)	מינרלי	3 מ"מ	125 מ"מ
דיסק השחזה ליטוש	השחזה	AG-D, AF-D, AN-D	מתכתי	6.4 מ"מ	125 מ"מ
דיסק השחזה יהלום	השחזה	DG-CW (SPX, SP, P)	מינרלי	-	125 מ"מ
מברשת פלדה	מברשות פלדה	3CS, 4CS, 3SS, 4SS	-	75 מ"מ 125 מ"מ	125 מ"מ
מקדח כוס יהלום	מקדח לאריחים	DD-M14	מינרלי	-	125 מ"מ
דיסק פיבר	השחזה	AP-D	מתכתי	-	125 מ"מ

#### התאמת הדיסקים לציוד שבשימוש

פריט	ציוד	AC-D	AG-D, AF-D, AN-D	DG-CW, SP, SPX (P)	DC-TP, DC-D, SP, SPX (P)	AP-D	4CS, 3CS, 4SS, 3SS, DD-M14
א	מגן דיסק	X	X	X	X	X	X
ב	כיסוי קדמי (בשילוב עם א)	X	—	—	X	—	—
ג	מגן שאיבת אבק (השחזה) DG-EX 1255"	—	—	X	—	—	—
ד	מגן שאיבת אבק (חיתוך) DC-EX 1255"C (בשילוב עם א)	—	—	—	X	—	—
ה	ידית אחיזה צדית	X	X	X	X	X	X
ו	אום הידוק	X	X	X	X	—	—
ז	אוגן נגדי	X	X	X	X	—	—



פריט	ציוד	AC-D	,AG-D ,AF-D AN-D	DG-CW ,SP ,SPX (P	,DC-TP DC-D ,SP ,SPX) (P	AP-D	,4CS ,3CS ,4SS ,3SS DD-M14
ח	Kwik lock (אופציונלי ל-ח')	X	X	—	X	—	—
ט	אום הידוק עבור דיסק פיבר	—	—	—	—	X	—
י	צלחת	—	—	—	—	X	—

## 5 נתונים טכניים

מתח נקוב	21.6 וולט
סל"ד נקוב	9,000 סל"ד
קוטר דיסק מרבי	125 מ"מ
משקל לפי EPTA Procedure 01 ללא סוללה	2.1 ק"ג
ציר-תבריא	M14
אורך ציר	22 מ"מ
טמפרטורת סביבה בעבודה	60 °C ... -17 °C
טמפרטורת אחסון	70 °C ... -20 °C

### 5.1 סוללה בטענת

מתח עבודה עם סוללה בטענת	21.6 וולט
משקל הסוללה	ראה בסוף הוראות ההפעלה האלה
טמפרטורת סביבה בעבודה	60 °C ... -17 °C
טמפרטורת אחסון	40 °C ... -20 °C
טמפרטורת הסוללה בתחילת הטעינה	45 °C ... -10 °C

### 5.2 מידע על רעש וערכי רעידות לפי EN 62841

ערכי לחץ הקול והרעידות המצוינים בהוראות אלה נמדדו בהתאם לנוהל המדידה התקני, וניתן להשתמש בהם לצורך השוואה בין כלי עבודה חשמליים. הם מתאימים גם להערכה זמנית של העומסים.

הנתונים המצוינים תקפים לשימושים העיקריים בכלי העבודה החשמלי. אולם אם משתמשים בכלי העבודה החשמלי לשימושים אחרים, בשילוב אביזרים אחרים או אם המכשיר אינו עובר תחזוקה מספקת, הנתונים עשויים להשתנות. בעקבות זאת פריסת העומסים למשך זמן העבודה כולו עשויה להיות גבוהה באופן משמעותי.

לצורך הערכה מדויקת של העומסים יש לקחת בחשבון גם את הזמנים שבהם כלי העבודה כבוי או שבהם הוא אמנם פועל אך אינו בשימוש בפועל. בעקבות זאת פריסת העומסים למשך זמן העבודה כולו עשויה להיות נמוכה באופן משמעותי.

יש לקבוע הנחיות בטיחות נוספות להגנה על המשתמש מפני ההשפעות של קול ו/או רעידות, כגון: תחזוקה של כלי העבודה החשמלי ושל כלי העבודה המחבורים, שמירה על ידיים חמות, ארגון תהליכי העבודה.

השחזת פחים דקים או חומרים אחרים עם פני שטח גדולים ושרועדים בקלות עלול להוביל לרמת רעש גבוהה הרבה יותר מערכי הרעש המצוינים. יש למנוע היווצרות רעש בחומרים כאלה באמצעים שונים, לדוגמה בעזרת לחות בידוד כבדים וגמישים. כאשר מבצעים הערכת סיכונים של חשיפה לרעש, יש לקחת בחשבון תמיד גם את הערכים המוגדלים האלה.

#### מידע על רעשים

רמת לחץ קול ( $L_{pA}$ )	88 dB(A)
אי-ודאות רמת לחץ קול ( $K_{pA}$ )	3 dB(A)
רמת הספק קול ( $L_{wA}$ )	96 dB(A)
אי-ודאות ברמת הספק קול ( $K_{wA}$ )	3 dB(A)

#### מידע על רעידות

שימושים אחרים, כגון חיתוך, עשויים לגרום לערכי רעידות אחרים.

AG 5D-22		
5.4 מ' /שני <sup>2</sup>	B 22-55	$(a_{n,AG})$ ידית מפחיתת רעידות
4.6 מ' /שני <sup>2</sup>	B 22-170	



<b>AG 5D-22</b>		
3.5 מ' /שני <sup>2</sup>	<b>B 22-55</b>	ליטוש באמצעות נייר ליטוש עם ידית מפחיתת רעידות (a <sub>n,ps</sub> )
3.8 מ' /שני <sup>2</sup>	<b>B 22-170</b>	
1.5 מ' /שני <sup>2</sup>		אי ודאות (K)

## 6 הכנה לעבודה

### ⚠ אזהרה

**סכנת פציעה עקב התחלת תנועה בשוגג!**

- ▶ לפני חיבור הסוללה ודא שהמוצר כבוי.
- ▶ הסר את הסוללה לפני שאתה מבצע כוונונים כלשהם במכשיר או מחליף אביזרים.

ציית להוראות הבטיחות והאזהרות שבתיעוד זה ולאלה המצוינות על המוצר.

### 6.1 טעינת סוללה

1. קרא את הוראות ההפעלה של המטען לפני הטעינה.
2. ודא שהמגעים של הסוללה ושל המטען נקיים ויבשים.
3. טען את הסוללה במטען מאושר. ← עמוד 27

### 6.2 חיבור הסוללה

#### ⚠ אזהרה

**סכנת פציעה עקב קצר או נפילת סוללה!**

- ▶ לפני חיבור הסוללה ודא שהמגעים של הסוללה ושל המוצר נקיים מגופים זרים.
- ▶ ודא תמיד שהסוללה תפוסה היטב.

1. טען את הסוללה למצב מלא לגמרי לפני השימוש הראשון.
2. דחף את הסוללה למוצר עד שאתה שומע אותה ננעלת.
3. ודא שהסוללה יושבת היטב.

### 6.3 הסרת הסוללה

1. לחץ על לחצן השחרור של הסוללה.
2. משוך את הסוללה החוצה מהמוצר.

### 6.4 התקנת רצועת אבטחה של Hilti (אופציונלי)

בעת העבודה במוצר יש לציית לתקנות במדינתך בנוגע לעבודה במקומות גבוהים. שים לב להוראות ההפעלה של רצועת האבטחה.

1. הנח את שתי הלשוניות של רצועת האבטחה בצורה מדויקת על לוחית ההגנה מפני ניצוצות.
2. חבר את רצועת האבטחה באמצעות הברגים המתאימים דרך הקדחים המתאימים בלוחית ההגנה מפני ניצוצות.
3. חבר את הסוללה. ← עמוד 31

### 6.5 אבטחת נפילה

#### ⚠ אזהרה

**סכנת פציעה** כשכלי העבודה ו/או האביזר נופלים!

- ▶ השתמש רק בחבל אבטחה של Hilti המומלץ עבור המוצר שלך.
- ▶ בדוק את נקודת החיבור של חבל האבטחה של כלי העבודה לפני כל שימוש כדי לזהות נזקים.

שם לב לחוקים בנוגע לעבודה בגובה.

מותר לאבטח מוצר זה נגד נפילות אך ורק באמצעות שילוב של רצועת האבטחה #2293133 של Hilti עם חבל האבטחה #2261970 של Hilti.



- ◀ חבר את רצועת האבטחה לפתחי התקנת האביזרים. בדוק שהחיבור יציב.
- ◀ חבר שאקל אחד של חבל אבטחת כלי העבודה לרצועת האבטחה ואת השאקל השני למבנה יציב. בדוק ששני השאקלים מחוברים בצורה בטוחה.

שים לב להוראות הבטיחות של רצועת האבטחה של Hilti ושל חבל אבטחת כלי העבודה של Hilti.

## 6.6 התקנת ידית האחיזה הצדית

- ◀ הברג את ידית האחיזה הצדית לאחד מהתבריגים המיועדים לכך.

## 6.7 התקנה או הסרה של מגן הדיסק

### ⚠ זהירות

- ◀ **סכנת פציעה.** הכלי עשוי להיות חם מאוד או חד.
- ◀ לבש כפפות מגן בעת ביצוע עבודות התקנה, פירוק, כוונון ותיקון תקלות.

- ◀ שים לב להוראות ההתקנה של מגן הדיסק.

## 6.7.1 התקנת מגן הדיסק

מגן הדיסק מצויד בדיזי התאמה, המבטיחים כי אפשר יהיה לחבר למוצר רק מגן דיסק מתאים. מגן הדיסק נע ביחד עם דיזי ההתאמה בתושבת מגן הדיסק של המוצר.

1. מקם את מגן הדיסק על צוואר הציר כך ששני הסימונים המשולשים במגן למוצר זה מול זה.
2. דחף את מגן הדיסק על צוואר הציר.
3. לחץ על לחצן שחרור מגן הדיסק.
4. סובב את מגן הדיסק עד שהוא ננעל ולחצן שחרור מגן הדיסק קופץ בחזרה.

## 6.7.2 כוונון מגן הדיסק

- ◀ לחץ על לחצן שחרור המגן וסובב את מגן הדיסק למיקום הרצוי עד שהוא ננעל.

## 6.7.3 הסרת מגן הדיסק

1. לחץ על לחצן שחרור המגן וסובב את מגן הדיסק עד ששני הסימונים המשולשים, על מגן הדיסק ועל המוצר, נמצאים זה מול זה.
2. הסר את מגן הדיסק.

## 6.8 התקנה או הסרה של הכיסוי הקדמי

כאשר עובדים עם מגן קדמי יש לחבר אותו על מגן הדיסק.

1. חבר את המגן הקדמי על מגן הדיסק הסטנדרטי עד שהוא ננעל.
2. כדי להסיר אותו יש לפתוח את הנעילה של המגן הקדמי ולהסיר אותו ממגן הדיסק הסטנדרטי.

## 6.9 מיקום מגן שאיבת אבק (חיתוך) DC-EX 125/5°C

- ◀ מקם את מגן הדיסק הקומפקטי כך שמתג ההפעלה/כיבוי ייוותר נגיש להפעול תמיד.

## 6.10 התקנה והסרה של כלי העבודה

### ⚠ אזהרה

- ◀ **סכנת פציעה.** בעת בלימת מנוע המכשיר עלול הכלי המחובר להתנתק.
- ◀ המתן עד שהכלי המחובר נעצר ורק אז אחוז בכלי או באום הידוק.
- ◀ הדק את הכלי ואת האוגן הנגדי בעזר האום במידה כזו שבעת בלימה המנוע לא ישתחרר חלקים.

### ⚠ זהירות

- ◀ **סכנת פציעה.** הכלי עלול להיות חם מאוד.
- ◀ לבש כפפות מגן בעת החלפת כלי.





יש להחליף דיסקי ילולם ברגע שהספק החיתוך/ההשחזה פוחת באופן ניכר. בדרך כלל זה מתרחש כאשר גובה סגמנטי היהלום נמוך מ-2 מ"מ.

סוגי דיסק אחרים יש להחליף ברגע שהספק החיתוך פוחת באופן ניכר או אם במהלך העבודה נוצר מגע בין חלקים של משחזת הזווית (מלבד הדיסק) לבין החומר שבעבודה.  
דיסקי ליטוש יש להחליף כשמגיע תאריך התפוגה שלהם.

### 6.10.1 התקנת כלי 9

1. ודא שטבעת ה-O נמצאת באוגן הנגדי ושהיא תקינה לגמרי.
  - ◀ החלף טבעת O שניזוקה והשלם טבעת O חסרה.
2. חבר את האוגן הנגדי לציר המשחזת כך שלא יסתובב.
3. חבר את האביזר.
4. הברג את אום ההידוק בהתאם לכלי העבודה שבשימוש.
5. לחץ את לחצן נעילת הציר והחזק אותו לחוץ.
6. הדק את אום ההידוק בעזרת המפתח ולאחר מכן הרפה מלחצן נעילת הציר והסר את המפתח.

### 6.10.2 הסרת כלי

#### ⚠ אזהרה

**סכנת שבירה והרס.** לחיצה על לחצן נעילת הציר בזמן שהציר מסתובב עלולה לגרום לשחרור הכלי המחובר.  
לחץ על לחצן נעילת הציר רק כאשר הציר אינו מסתובב.

1. לחץ על לחצן נעילת הציר והחזק אותו לחוץ.
2. חבר את מפתח האומים וסובב אותו נגד כיוון השעון כדי לשחרר את אום ההידוק המהיר.
3. שחרר את לחצן נעילת הציר והוצא את הכלי.

### 6.10.3 התקנת כלי עם אום הידוק מהיר Kwik lock 10

#### ⚠ אזהרה

**סכנת שבירה.** עקב שחיקה מרובה עלולה אום ההידוק המהיר Kwik lock להישבר.  
◀ ודא שבמהלך העבודה לא נוצר מגע בין אום ההידוק המהיר Kwik lock לחומר שבעבודה.  
◀ אין להשתמש באום הידוק מהיר Kwik lock אם הוא פגום.

**i** במקום אום ההידוק ניתן להשתמש באום הידוק מהיר Kwik Lock. כך ניתן להחליף כלי ההשחזה/חיתוך ללא שימוש בכלי עבודה.

1. נקה את האוגן הנגדי ואת אום ההידוק המהיר.
2. ודא שטבעת ה-O נמצאת באוגן הנגדי ושהיא תקינה לגמרי.
  - ◀ החלף טבעת O שניזוקה והשלם טבעת O חסרה.
3. חבר את האוגן הנגדי לציר המשחזת כך שלא יסתובב.
4. חבר את האביזר.
5. הברג את אום ההידוק המהיר Kwik lock עד שהיא נצמדת לכלי המחובר.
  - ◀ במצב מוברג הכיתוב Kwik lock גלוי.
6. לחץ על לחצן נעילת הציר והחזק אותו לחוץ.
7. המשך לסובב את הכלי בידך בחוזק עם כיוון השעון עד שאום ההידוק המהיר Kwik lock מהודקת היטב, ודא שחרר את לחצן נעילת הציר.

### 6.10.4 הסרת כלי עם אום הידוק מהיר Kwik lock

#### ⚠ אזהרה

**סכנת שבירה והרס.** לחיצה על לחצן נעילת הציר בזמן שהציר מסתובב עלולה לגרום לשחרור הכלי המחובר.  
לחץ על לחצן נעילת הציר רק כאשר הציר אינו מסתובב.

1. לחץ על לחצן נעילת הציר והחזק אותו לחוץ.
2. שחרר את אום ההידוק המהיר Kwik lock באופן בא: סובב בידך את אום ההידוק המהיר נגד כיוון השעון.
3. אם אינך מצליח לשחרר את אום ההידוק המהיר Kwik lock בידך, השתמש במפתח הברגים וסובב נגד כיוון השעון.

לעולם אין להשתמש במפתח צינורות, כדי שלא לגרום נזק לאום ההידוק המהיר Kwik lock.



4. שחרר את לחצן נעילת הציר והוצא את הכלי.



### 6.10.5 התקנת מקדח כוס 11

1. חבר את ידית האחיזה הצדית. ← עמוד 32
2. התקן את מגן הדיסק. ← עמוד 32
3. חבר את מקדח הכוס והברג אותו ידנית.
4. לחץ על לחצן נעלת הציר והחזק אותו לחוץ.
5. הדק את מקדח הכוס באמצעות מפתח ברגים מתאים.

### 6.10.6 התקנת מברשת פלדה 12

1. חבר את ידית האחיזה הצדית. ← עמוד 32
2. התקן את מגן הדיסק. ← עמוד 32
3. חבר את מברשת הפלדה והברג אותה ידנית.
4. לחץ על לחצן נעלת הציר והחזק אותו לחוץ.
5. הדק את מברשת הפלדה באמצעות מפתח ברגים מתאים.

### 6.10.7 התקנת דיסק פיבר 13

1. חבר את ידית האחיזה הצדית. ← עמוד 32
2. התקן את מגן הדיסק. ← עמוד 32
3. חבר את הצלחת ואת דיסק הפיבר והברג והדק את אום ההידוק.
4. לחץ על לחצן נעלת הציר והחזק אותו לחוץ.
5. הדק את אום ההידוק בעזרת המפתח.

## 7 תפעול

### 7.1 השחזה

#### ⚠️ זהירות

**סכנת פציעה.** הכלי עלול להיתקע בפתאומיות.

← אחוז במוצר תמיד בעזרת ידית האחיזה הצדית (כאופציה ישנה ידית קשת) והחזק אותו היטב בשתי ידיים.

הקפד שהאביזר המחובר אינו נתקע, והימנע מהפעלת לחץ מופרז על המוצר.

### 7.2 חיתוך

← בעת החיתוך הפעל כוח דחיה מתון ועבוד בצורה ישרה עם המוצר (זווית עבודה כ-90° לפני השטח של החומר שאתה חותך).

הדרך הטובה ביותר לחתוך פרופילים וצינורות מרובעים קטנים היא לעבוד במקום בעל הקוטר הקטן ביותר.



### 7.3 השחזה

#### ⚠️ אזהרה

**סכנת פציעה.** דיסק החיתוך עלול להתפוצץ, כך שחלקים ממנו יתעופפו ויגרמו לפציעות.  
← לעולם אין להשתמש בדיסקי חיתוך לצורך עבודות השחזה.

← הזז את המוצר מצד לצד בזווית גישה של 5° עד 30° תוך הפעלת לחץ מתון.

← החלק שבעבודה לא יתחמם מדי, לא ישנה את צבעו ולא ייווצרו חריצים.

### 7.4 הפעלת המכשיר באמצעות מתג הפעלה/כיבוי עם חסימת הפעלה 14

מתג ההדלקה/כיבוי המצויד בחסימת הפעלה מאפשר לך לשלוט בתפקוד המתג וכך למנוע התחלת עבודה בשוגג של המוצר.



1. דחף את מתג חסימת ההפעלה קדימה.

← מתג ההפעלה/כיבוי ישוחרר.

2. לחץ על מתג ההפעלה/כיבוי עד הסוף.

← מנוע המכשיר יפעל בסל"ד סרק.



## 7.5 כיבוי המכשיר באמצעות מתג הפעלה/כיבוי עם חסימת הפעלה

- ◀ שחרר את מתג הפעלה/כיבוי.
- ◀ חסימת ההפעלה תקפוץ אוטומטית למצב נעול.

## 8 טיפול ותחזוקה

### ⚠ אזהרה

#### סכנת פציעה כאשר הסוללה מחוברת !

- ◀ לפני ביצוע עבודות טיפול ותחזוקה כלשהן יש להקפיד להסיר את הסוללה!

### ⚠ סכנה

**התחשלות עקב בידוד חסר.** בתנאי עבודה קיצוניים ייתכן שאבק מתכות מוליך (כגון סיבי פחמן, מתכת) יתיישב בתוך המכשיר ויפגע בבידוד המגן.

- ◀ בתנאי עבודה קיצוניים יש להשתמש במערכת שאיבת אבק נייחת.

- ◀ נקה את חריצי האוורור באופן סדיר.

### טיפול במוצר

- הסר בזהירות לכלוך דבוק.
- נקה את גוף המכשיר רק באמצעות מטלית לחה מעט. אל תשתמש בחומרי טיפול המכילים סיליקון, מאחר שהם עלולים לפגוע בחלקי הפלסטיק.
- נקה את המגעים באמצעות מטלית נקייה ויבשה.

### טיפול בסוללות ליתיום-יון

- לעולם אין להשתמש בסוללה שחריצו האוורור שלה סתומים. נקה את חריצי האוורור בזהירות בעזרת מברשת רכה ויבשה.
- מנע חשיפת הסוללה לאבק ולכלוך שלא לצורך. בשום אופן אין לחשוף את הסוללה ללחות גבוהה (לדוגמה להטביל אותה במים או להניח אותה בגשם).
- אם הסוללה נרטבה מאוד, יש להתייחס אליה כאלה סוללה פגומה. בודד אותה במיכל לא דליק ופנה לשירות של Hilti.
- שמור על הסוללה נקייה משמן וגריז לא שייכים. אל תאפשר הצטברות מיותרת של לכלוך ואבק על הסוללה. נקה את הסוללה במטלית יבשה ורכה או במטלית נקייה ויבשה. אל תשתמש בחומרי טיפול המכילים סיליקון, מאחר שהם עלולים לפגוע בחלקי הפלסטיק.
- אל תיגע במגעים של הסוללה ואל תסיר מהמגעים גריז שהושם במפעל.
- נקה את גוף המכשיר רק באמצעות מטלית לחה. אל תשתמש בחומרי טיפול המכילים סיליקון, מאחר שהם עלולים לפגוע בחלקי הפלסטיק.

### תחזוקה

- בדוק באופן סדיר את כל החלקים הגלויים כדי לאתר נדקים ולוודא שכל הרכיבים פועלים באופן תקין.
- אל תפעיל את המוצר אם ישנם נדקים ו/או תקלות. פנה מיד לשירות של Hilti כדי לתקן את המוצר.
- לאחר עבודות טיפול ותחזוקה יש להתקין בחזרה את כל ציוד ההגנה ולבדוק שהוא פועל בצורה תקינה.

לצורך הפעלה בטוחה של המכשיר יש להשתמש רק בחלקי חילוף וחומרים מתכלים מקוריים. את חלקי החילוף, החומרים המתכלים והאביזרים שאושרו על-ידי Hilti עבור המוצר שלך תמצא ב-Hilti Store שלך או בכתובת: [www.hilti.group](http://www.hilti.group)

## 9 הובלה ואחסון של כלי עבודה נטענים וסוללות

### הובלה

### ⚠ זהירות

#### התחלת פעולה בשוגג במהלך הובלה !

- ◀ יש להוביל את המכשיר כשהסוללה מנותקת ממנו!

- ◀ הוצא את הסוללה/ות.
- ◀ לעולם אין להוביל את הסוללה בצורה חופשית בין עצמים לא ארוזים. בזמן ההובלה הסוללות צריכות להיות מוגנות מפני חבטות ורעידות רבות וכן מבודדות מפני חומרים מוליכים כלשהם או סוללות אחרות, כדי שלא ייווצר מגע בינן לבין מגעים של סוללות אחרות ועקב כך קצר. **שים לב לכללי ההובלה במדינתך בנוגע לסוללות.**
- ◀ אסור לשלוח סוללות בדואר. אם אתה רוצה לשלוח סוללות לא פגומות, פנה לשם כך לחברת משלוחים והובלות.
- ◀ בדוק אם ישנם נדקים במוצר ובסוללות לפני כל שימוש וכן לפני הובלה ארוכה.



**דק לא מכוון כשהסוללות פגומות או דולפות!**

יש לאחסן את המכשיר כשהסוללה מנותקת ממנו!

- ◀ אחסן את המוצר והסוללות במקום קריר ויבש. שים לב לערכי הגבול של הטמפרטורה, כמצוין בנתונים הטכניים.
- ◀ אין לאחסן סוללות על המטען. הקפד להוציא את הסוללה מהמטען בסיום תהליך הטעינה.
- ◀ לעולם אין לאחסן סוללות בשמש, על מקורות חום או מאחורי זכוכית.
- ◀ אחסן את המוצר והסוללה הרחק מהישג ידם של ילדים או אנשים לא מורשים.
- ◀ בדוק אם ישנם דקים במוצר ובסוללות לפני כל שימוש וכן לפני אחסון ממושך.

**10 תיקון תקלות**

בכול תקלה שים לב לתצוגות של רמת הטעינה ושל התקלות בסוללה. ראה הפרק **תצוגות של סוללת הליתיום-יון**. אם מתרחשת תקלה שאינה מוסברת בטבלה זה או שאינך יכול לתקן בעצמך, פנה לשירות של **Hilti**.

תקלה	סיבה אפשרית	פתרון
הסוללה מתרזקת מהר מהרגיל.	טמפרטורת סביבה נמוכה מאוד.	◀ אפשר לסוללה להתחמם בהדרגה לטמפרטורת החדר.
הסוללה אינה נתפסת בצליל "קליק" ברור.	זיז הנעילה בסוללה מלוכלך.	◀ נקה את זיז הנעילה וחבר את הסוללה מחדש.
התחממות גבוהה במוצר או בסוללה.	תקלה חשמלית	◀ כבה מיד את המוצר, הוצא את הסוללה, השגח עליה, אפשר לה להתקרר וצור קשר עם השירות של <b>Hilti</b> .
	חריצי אוורור סתומים	◀ נקה את חריצי האוורור באופן סדיר.
המוצר אינו פועל בעוצמה מלאה.	חוברה סוללה בעלת קיבולת נמוכה מדי.	◀ השתמש בסוללה בעלת קיבולת מספיקה.
אין בלימת מנוע.	הסוללה התרזקה.	◀ החלף סוללה, וטען את הסוללה הריקה.
	עומס יתר זמני על המוצר.	◀ שחרר את מתג ההפעלה ולחץ עליו מחדש.

**11 סילוק**

**סכנת פציעה בעקבות סילוק לא תקין!** סכנה בריאותית מהשתחררות גזים ונזלים.

- ◀ אין לשלוח סוללות פגומות!
- ◀ כסה את החיבורים באמצעות חומר לא מוליך, כדי למנוע קצר.
- ◀ סלק סוללות כך שהן לא יוכלו להגיע לידיהם של ילדים.
- ◀ סלק את הסוללה ב- **Hilti Store** או פנה לחברת המיחזור האחראית.

המוצרים של **Hilti** מיוצרים בחלקם מגודול מחומרים ניתנים למיחזור. כדי שניתן יהיה למחזרם דרושה הפרדת חומרים מקצועית. במדינות רבות **Hilti** תקבל את המכשיר הישן שלך בחזרה לצורך מיחזור. פנה לשירות של **Hilti** או למשווק.

◀ אין להשליך כלי עבודה חשמליים, כלים אלקטרוניים וסוללות לפסולת הביתית!

**12 אחריות יצרן**

◀ אם יש לך שאלות בנושא תנאי האחריות, אנא פנה למשווק **Hilti** הקרוב אליך.

**13 מידע נוסף**

מידע נוסף על ההפעלה, הטכנולוגיה, הגנת הסביבה ומיחזור תמצא בקישור הבא:  
[qr.hilti.com/manual?id=2272031&id=2272032](http://qr.hilti.com/manual?id=2272031&id=2272032)  
 את הקישור הזה תמצא גם בסוף תיעוד זה בצורת קוד QR.



# EC Declaration of Conformity | UK Declaration of Conformity



**Manufacturer:**  
**Hilti Corporation**  
Feldkircherstraße 100  
9494 Schaan | Liechtenstein

**UK Importer:**  
**Hilti (Gt. Britain) Limited**  
No. 1 Circle Square, 3 Symphony Park  
Manchester, England, M1 7FS

**AG 5D-22-125 (01)**

Serial Numbers: 1-9999999999

2006/42/EC | Supply of Machinery (Safety) Regulations 2008

2014/30/EU | Electromagnetic Compatibility Regulations 2016

2011/65/EU | The Restriction of the Use of Certain Hazardous Substances in Electrical and Electronic Equipment Regulations 2012

EN 62841-1:2015,  
AC:2015, A11:2022

EN IEC 55014-1:2021

EN IEC 62841-2-3:2021/A11:2021

EN IEC 55014-2:2021

**Dr. Tahar Zrilli**  
Head of Quality and Process Management  
Business Area Electric Tools & Accessories

Schaan, 18.03.2024

**Edward-Louis Przybyłowicz**  
Head of BU Power Tool & Accessories  
Business Area Electric Tools & Accessories



** NURON**

<b>B 22-55 (01)</b>	0,56 kg	1.23 lb
<b>B 22-85 (01)</b>	0,77 kg	1.70 lb
<b>B 22-110 (01)</b>	0,92 kg	2.03 lb
<b>B 22-170 (01)</b>	1,34 kg	2.95 lb

<b>C 4-22</b>
<b>C 6-22</b>
<b>C 8-22</b>





Hilti Corporation  
LI-9494 Schaan  
Tel.:+423 234 21 11  
Fax:+423 234 29 65  
[www.hilti.group](http://www.hilti.group)



2272031