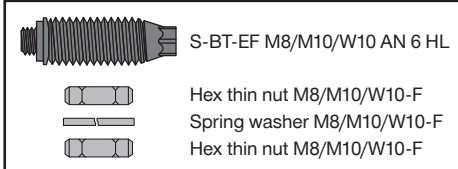
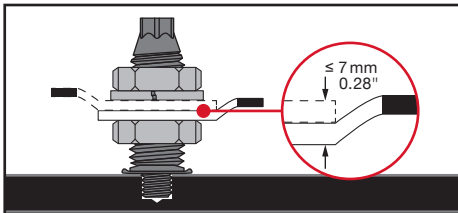
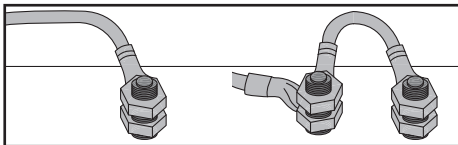
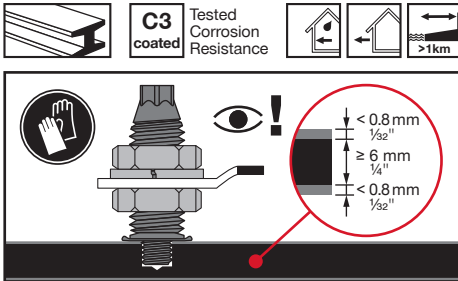


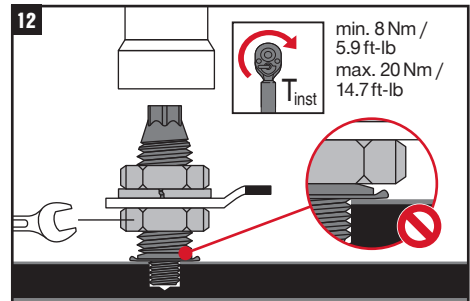
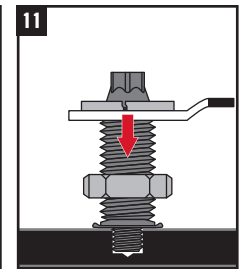
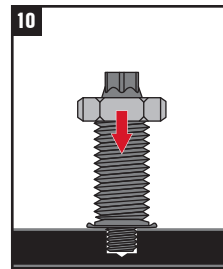
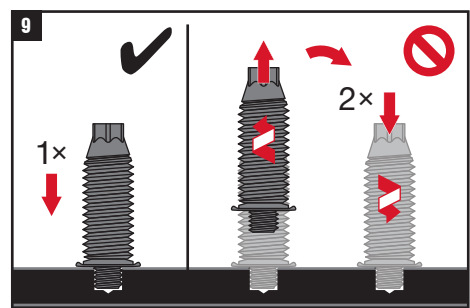
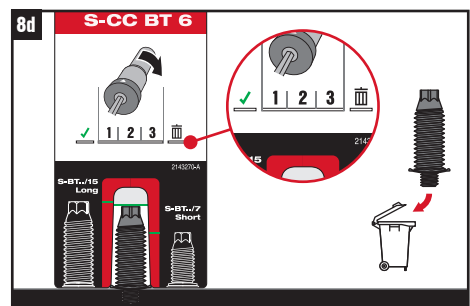
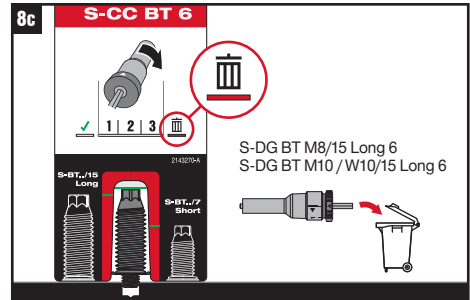
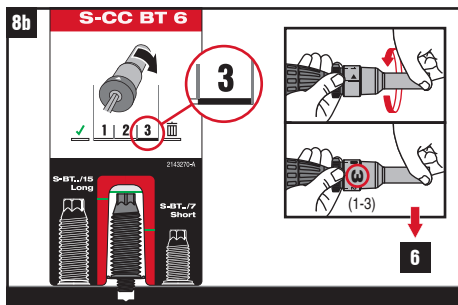
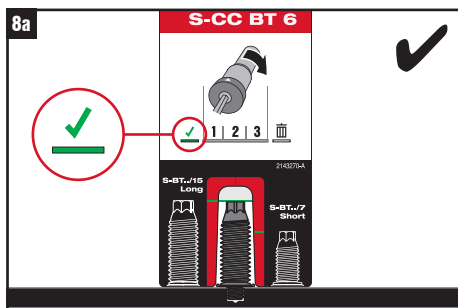
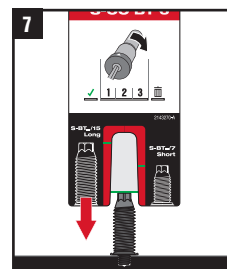
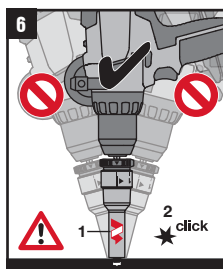
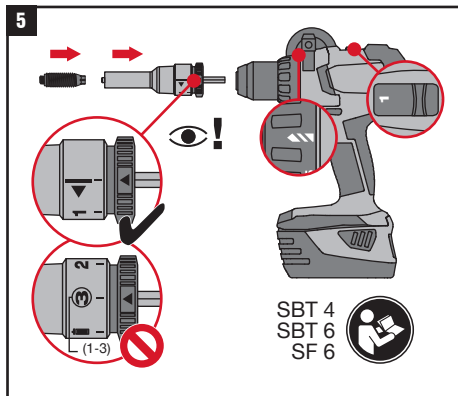
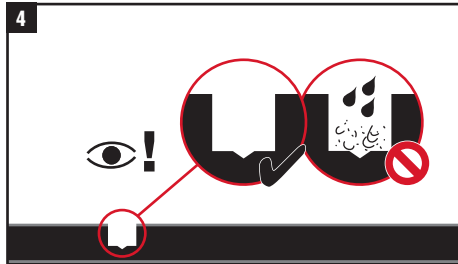
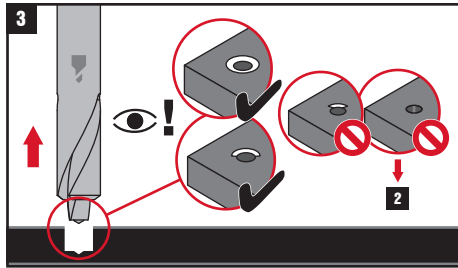
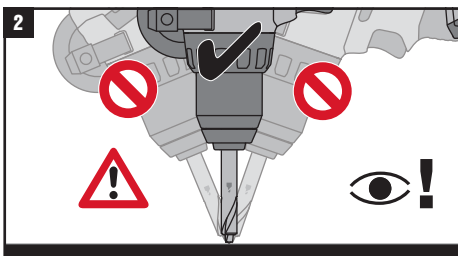
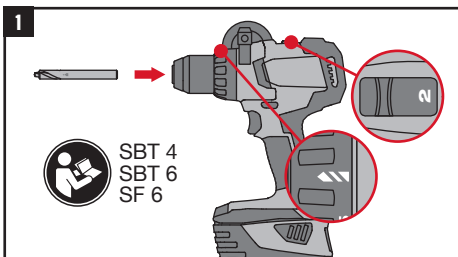


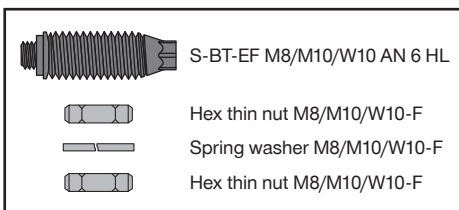
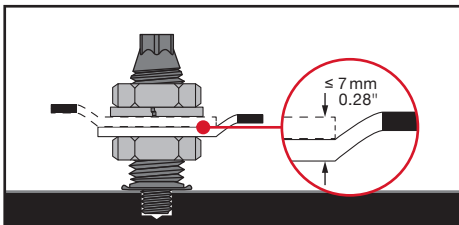
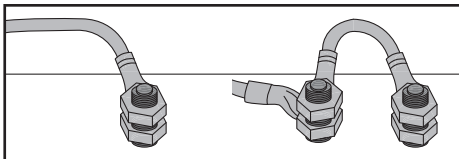
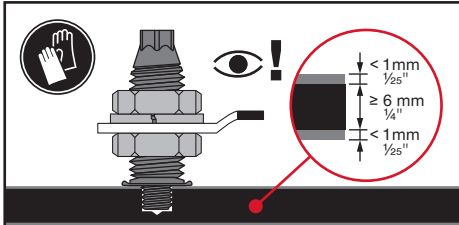
S-BT-EF M8/M10/W10 AN 6 HL

2353591-02.2023



	SBT 4	SBT 6 SF 6
	TS-BT 5.3-65 S	
	S-DG BT M8/15 Long 6 S-DG BT M10/W10/15 Long 6	
	Torque Tool S-BT 1/4" 16 Nm / 11.8 lb-ft	
	S-NS 13 C 95/3 1/4" S-NS 15 C 95/3 1/4" S-NS 9/16" C 95/3 1/4"	
	S-CC BT 6	





	SBT 6
	TS-BT 5.3-65 S
	S-SH BT M8/M10/W10
	S-NS 13 C 95/3 1/4" (M8) S-NS 15 C 95/3 1/4" (M10) S-NS 9/16" C 95/3 1/4" (W10)
	S-IC BT

